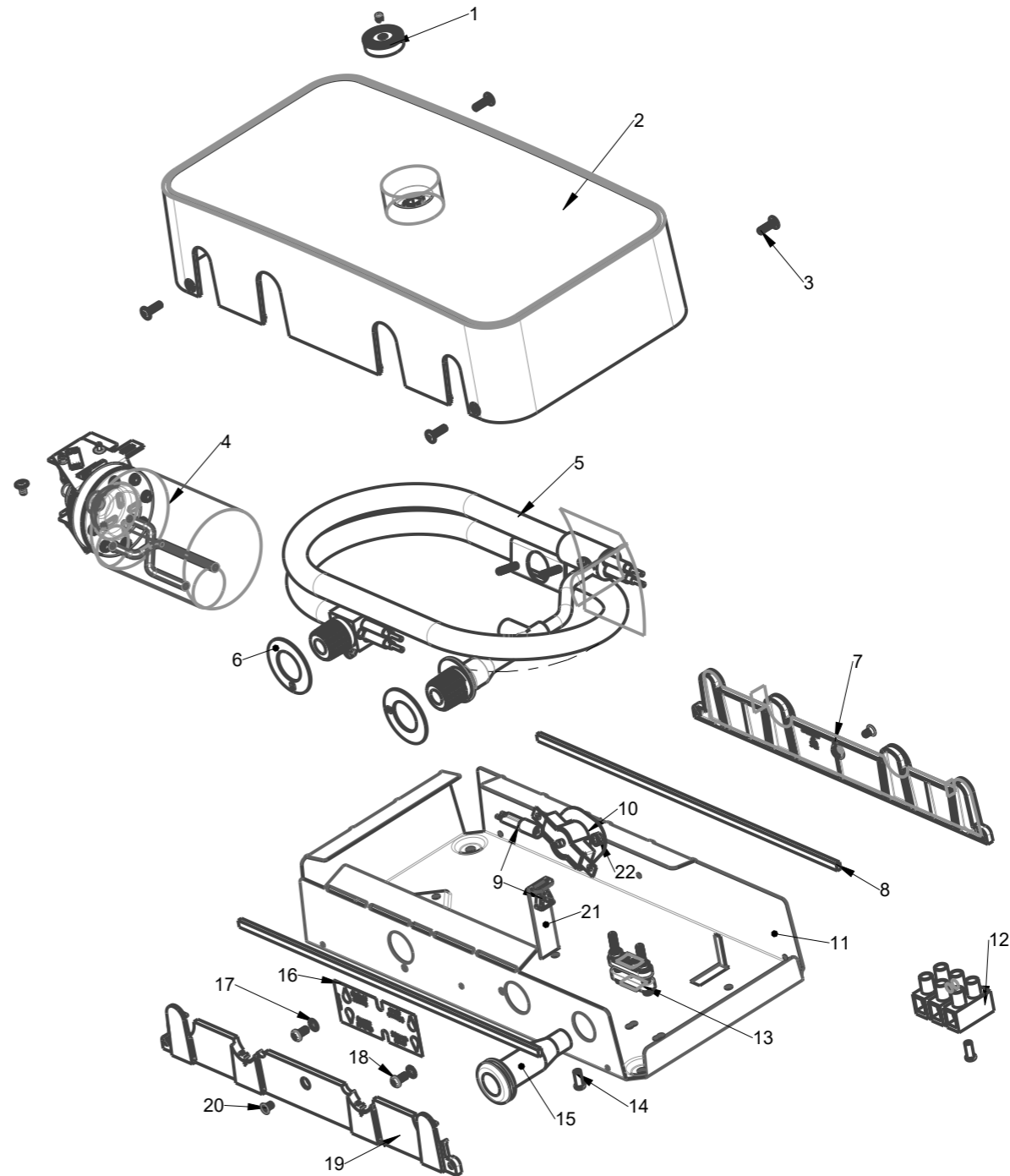




Item Number	Part Number	Description	Quantity
1	01/100161/0	Front Cover Insert	1
2	300002188	Front Cover Blank Powerstream	1
3	05/70023/0	No. 6 pan head washer x 1/2 B Type	4
4	579113111	Differential Flow Switch Asy	1
5a	579113881	Heat Exchanger 9.5kW 240V Straight	1
5b	579113882	Heat Exchanger 10.8kW 240V Straight	1
5c	579113883	Heat Exchanger 12.0kW 240V Straight	1
6	01/100223/0	Foam Gasket	2
7	01/100154/0	Upper Trim	1
8	01/100225/0	Foam Strips	2
9	576004301	Neon Lens Clip	1
10	559004801	Cut-Out 2-Disc 57/90° (ELTH.262PSR)	1
11	300002187	Backplate Formed Redring RPS	1
12	503730016	3-Way Terminal Block Hylec:TLB-500W	1
13	579204501	Cable Clamp (M-5000)	2
14	500941202	Rivet (1125-0514)	2
15	579004000	Rubber Grommet	1
16	01/100168/0	Inlet/Outlet Label	1
17	507504201	M4 Shakeproof Washer	2
18	508335081	M3.5 x 8mm Screw Taptite Pan HD JIT	2
19	01/100153/0	Lower Trim	1
20	05/70021/0	No.6 x 1/4 CSK ZPLATE S/Tap B Type	2
21	01/100224/0	Neon Bracket	1
22	508004002	M4 Nickel Plated Brass Nut (A25)	4



ISSUE	MODIFICATIONS	OCN	APPD	DATE	NOTES	 GLEN DIMPLEX RESEARCH & DEVELOPMENT Dunleer, Co.Louth, Ireland. Tel: ++353(0)41 6872200. Fax: ++353(0)41 6851464.				THIS DRAWING IS SUPPLIED IN CONFIDENCE AND THE COPYRIGHT THEREOF IS THE PROPERTY OF GLEN DIMPLEX: IT MUST NOT BE USED BY A THIRD PARTY WITHOUT PRIOR PERMISSION. © 2019																					
1	PRODUCTION ISSUE		C.G	27/01/2022		<table border="1"> <tr> <td>DRAWN BY</td> <td>DATE</td> <td>SCALE</td> <td>HOLE TOL</td> <td>GEN TOL</td> </tr> <tr> <td>C. GRIBBEN</td> <td>27/01/2022</td> <td>0.250</td> <td>+/-0.05</td> <td>0 +/-0,4</td> </tr> <tr> <td>APP'D BY</td> <td>DATE</td> <td>DIM IN</td> <td>ANGLES</td> <td>0,0 +/-0,2</td> </tr> <tr> <td>C. GRIBBEN</td> <td>27/01/2022</td> <td>mm</td> <td>+/-0.5°</td> <td>0,00+/-0,1</td> </tr> </table>				DRAWN BY	DATE	SCALE	HOLE TOL	GEN TOL	C. GRIBBEN	27/01/2022	0.250	+/-0.05	0 +/-0,4	APP'D BY	DATE	DIM IN	ANGLES	0,0 +/-0,2	C. GRIBBEN	27/01/2022	mm	+/-0.5°	0,00+/-0,1	PROJECT REDRING	
DRAWN BY	DATE	SCALE	HOLE TOL	GEN TOL																											
C. GRIBBEN	27/01/2022	0.250	+/-0.05	0 +/-0,4																											
APP'D BY	DATE	DIM IN	ANGLES	0,0 +/-0,2																											
C. GRIBBEN	27/01/2022	mm	+/-0.5°	0,00+/-0,1																											
DO NOT SCALE IF IN DOUBT ASK						MATERIAL ---- FINISH --				TITLE Powerstream 22' Exploded Diagram																					
										NO. OFF.		DRG NO WH00279-1																			
 THIRD ANGLE PROJECTION						R.o.H.S. compliant All materials must comply with the requirements of European Directive 2011/65/EU on the restriction of the use of certain hazardous substances				A3 Sht 1 of 2																					