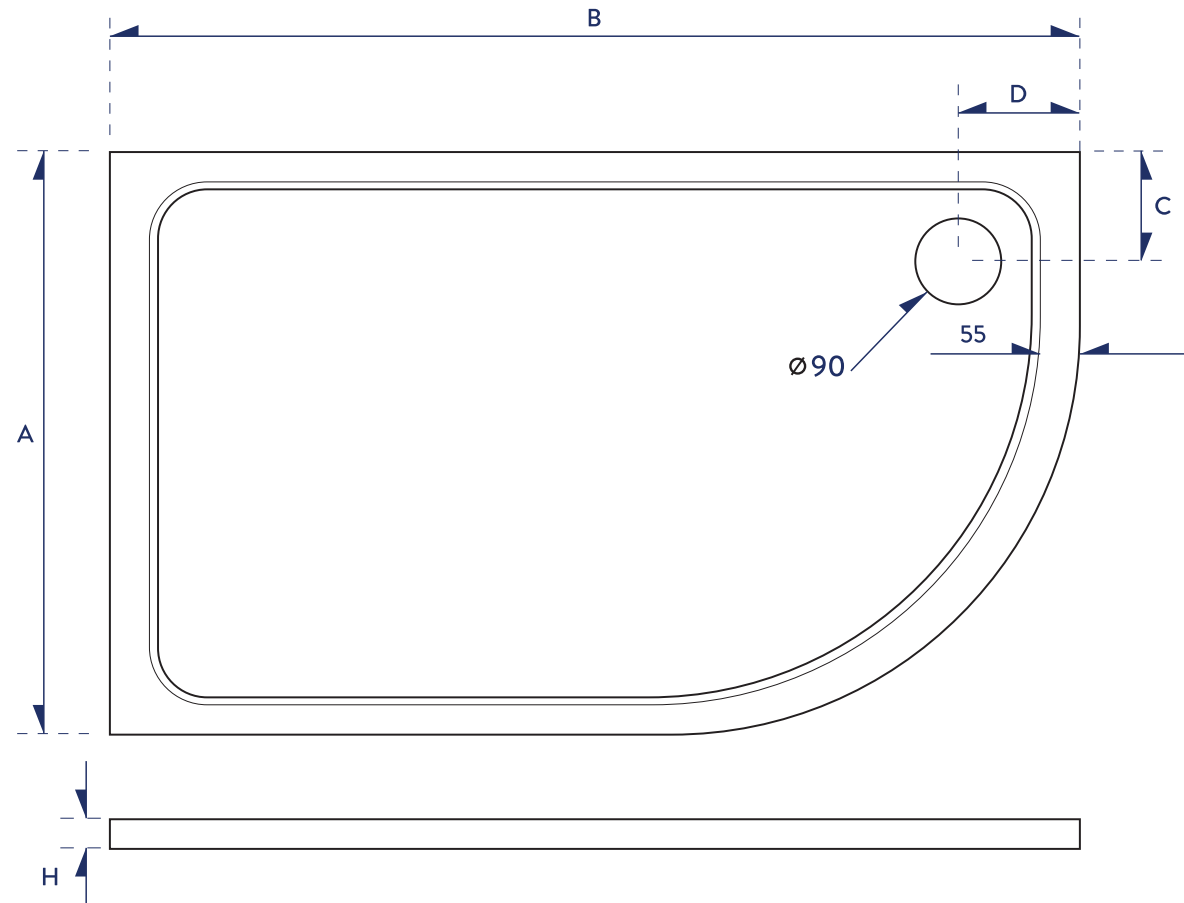


# OFFSET QUADRANT SHOWER TRAY



Code	Product Specification (mm)	A (mm)	B (mm)	C (mm)	D (mm)	H (mm)	Packaging Specification (mm)	Net Weight (kg)	Gross Weight (kg)
1200-800-OFFRH-WTE	800*1200*30	800	1200	160	160	30	840*1240*60	38	39