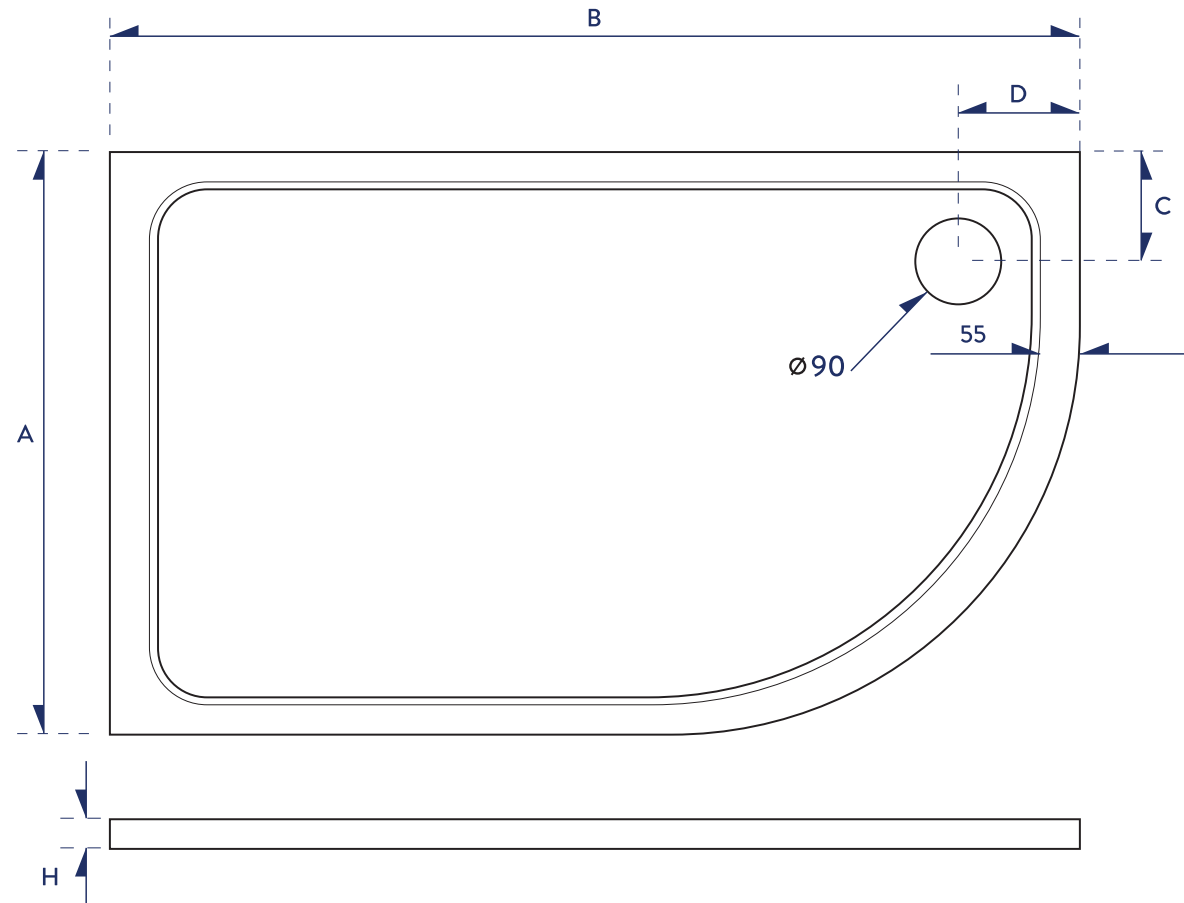


OFFSET QUADRANT SHOWER TRAY



Code	Product Specification (mm)	A (mm)	B (mm)	C (mm)	D (mm)	H (mm)	Packaging Specification (mm)	Net Weight (kg)	Gross Weight (kg)
1200-900-OFFRH-WTE	900*1200*30	900	1200	160	160	30	940*1240*60	43	44