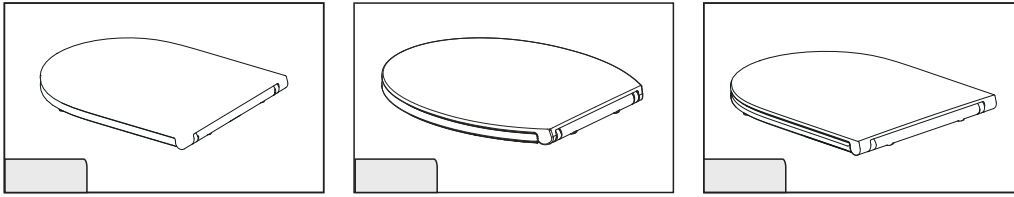
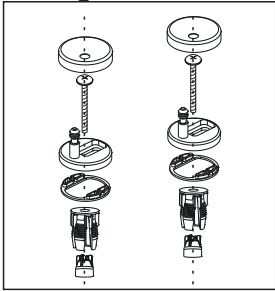


Soft Close Toilet Seat

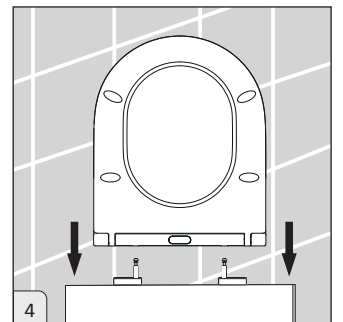
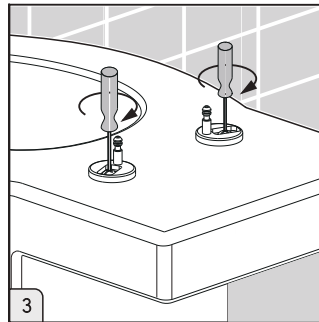
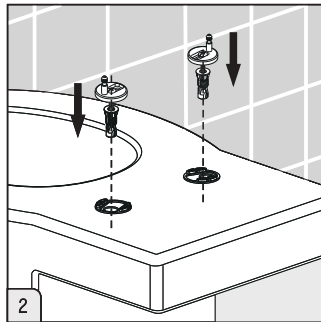
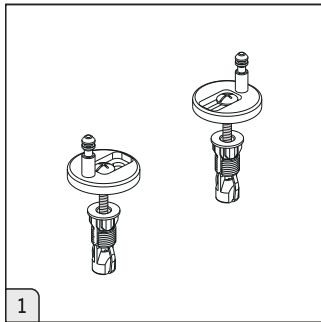


Fittings



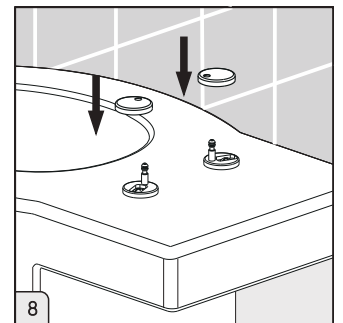
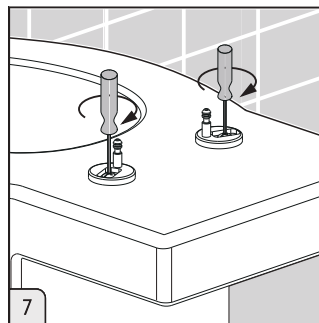
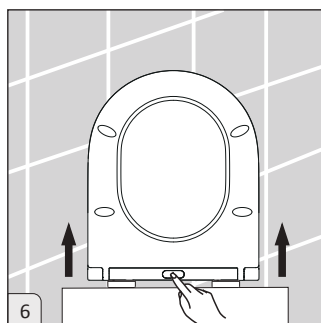
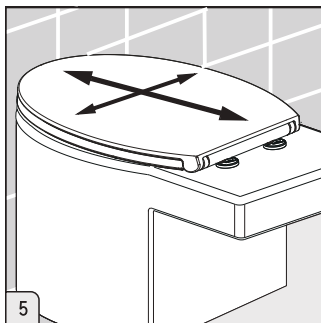
Installation Steps

■ Before installation check that all parts are present.



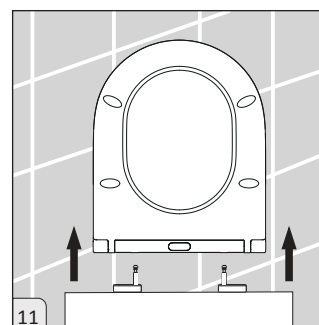
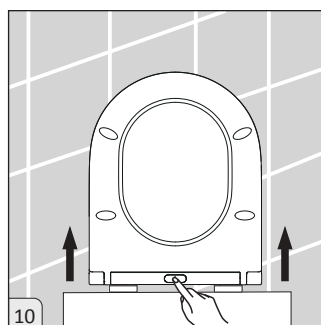
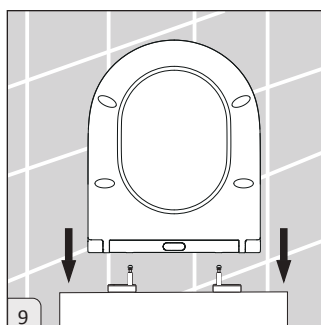
3. Do not fully tighten.

4. Line the mounting posts up with the holes in the hinge section of the seat and click into place.



6. To remove the seat press the quick release button and lift off.

7. Fully tighten the fixings.



10. To remove the seat press the quick release button and lift off.

Operation

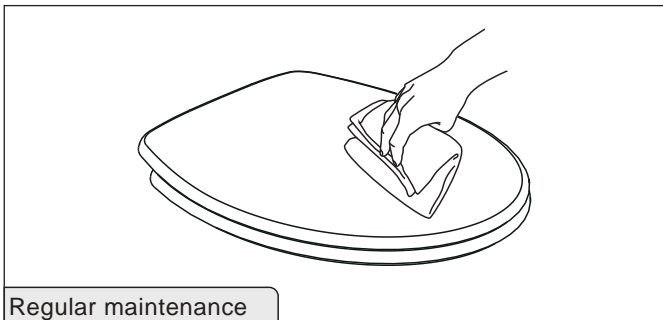
Allow the seat and lid to close under their own weight.

Care and Maintenance

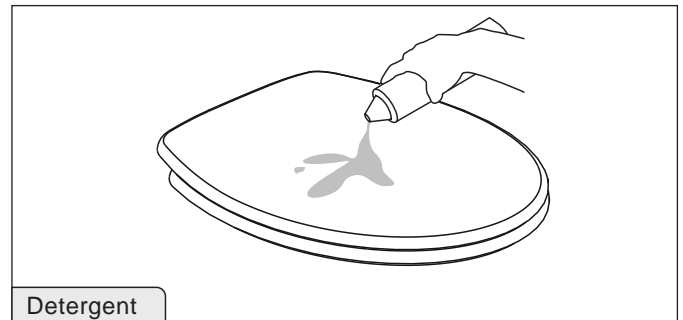


Do not stand on the seat or lid as this can cause damage.

As with all toilets seats: If you use bleaches and strong cleaners in the pan, do not leave the seat closed whilst the cleaner acts on the pan– the fumes from bleaches & cleaners may destroy and/or discolour the finish on the seat.



- Clean the seat and hinge plates with a mild detergent then dry with a soft cloth.

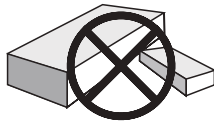


- Don't clean the toilet seat with abrasive powder.
- Do not allow chemicals or cosmetics to come in contact with the seat.

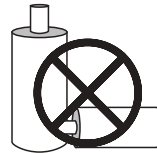
Cautions



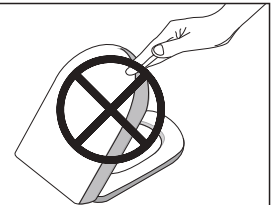
- Avoid direct sunlight as this can cause discolouration.



- Please do not put heavy things on the seat cover or suddenly sit forcefully on the seat, which may lead to the toilet seat crack.



- Do not clean the seat or hinge plates with strong chemical cleaners or abrasives.



- Do not close the seat forcibly.