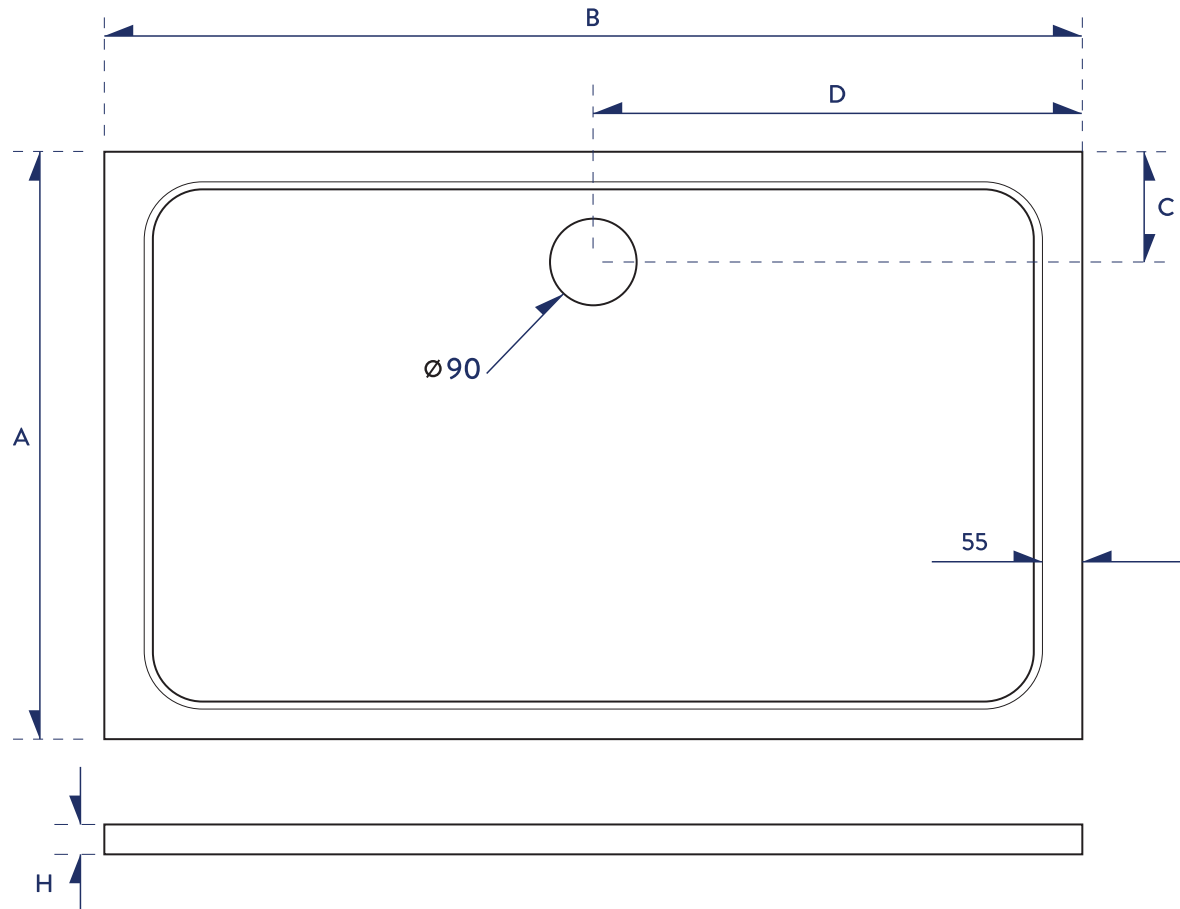


# RECTANGLE SHOWER TRAY



Code	Product Specification (mm)	A (mm)	B (mm)	C (mm)	D (mm)	H (mm)	Packaging Specification (mm)	Net Weight (kg)	Gross Weight (kg)
1600-700-REC-WTE	700*1600*30	700	1600	160	800	30	740*1640*60	46	47