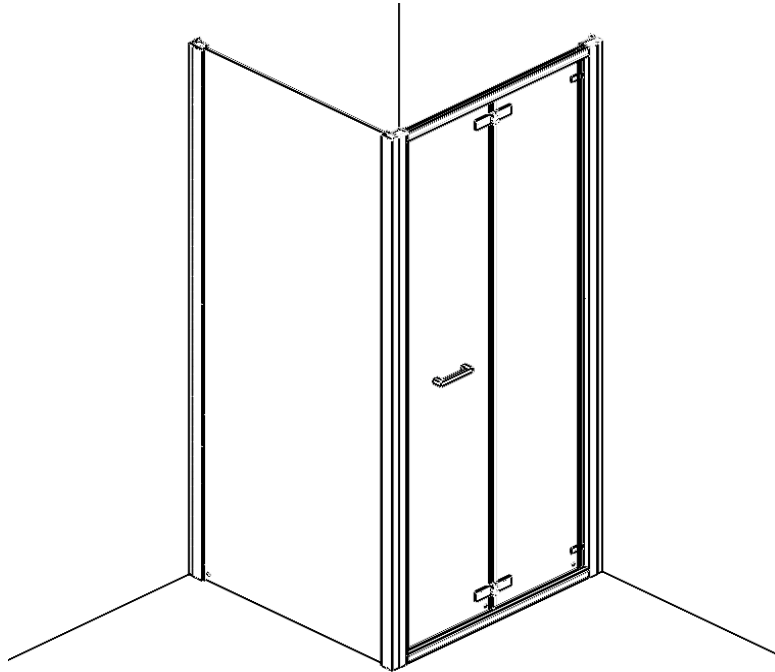


# Innov8

## Framed Bi-Fold and Side Panel

### N3V# + N2GL#



#### Handling

Be aware toughened glass can shatter if not handled correctly. It should not be subjected to any sharp impact and it is essential to protect the glass by resting it on a soft protective surface during installation such as cardboard or carpeting. It is recommended to wear PPE at all times during installation.



#### Pre-Installation Checks

1. Please take time to read these instructions prior to installing your product, including the Tray Sizes section below.
2. Check you have the correct product, by looking at the labels on the side of the product packaging.
3. Check all the product components and fixing kits are in the box - these are listed on the next page.
4. Please check the product for defects or damage, once the installation has commenced we cannot accept responsibility for any defects or damage.
5. Before you commence any drilling check there are no hidden electrical cables and/or water pipes.
6. No attempt should be made to re-work the toughened safety glass.
7. The installation of the product should be performed by two persons.
8. It is strongly recommended the product is fitted on a tiled surface or similar waterproof surface - which are tiled and grouted before product is installed.
9. It is strongly recommended that the walls the product is going to be installed on are vertical, and the floor/tray is level.
10. Please note that some natural misting may occur when you remove this product from its packaging, due to the addition of the glass protection pre-coating. If this does occur this can easily be removed with a soft, dry cloth.

#### Tray Sizes

Important: You MUST measure your tray before you proceed with installation. Please refer to the adjustment stated in the brochure or Step 1 of this instruction manual for the adjustment details for Haven6. If your tray exceeds this given value, you may need a bespoke product. Your Tray must be larger than the size given for Corner Adjustments. Refer to Step 1 for a guide on how to measure your tray accurately before proceeding any further - Roman will not be liable if you begin installation without correctly measuring your tray, to the realisation it doesn't fit.

#### Consumer Guarantee

Please make sure the purchaser/end user completes and returns the guarantee card which is enclosed with this product. Failure to validate the Guarantee will mean only the 1 Year Statutory Guarantee will apply.



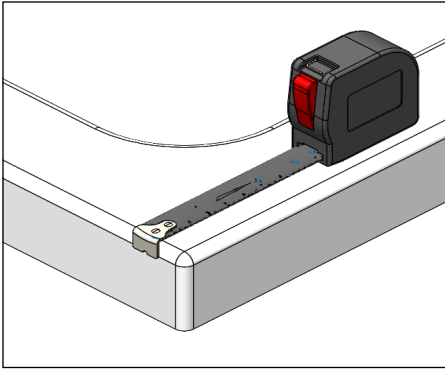


## Step 1 - Tray Sizes

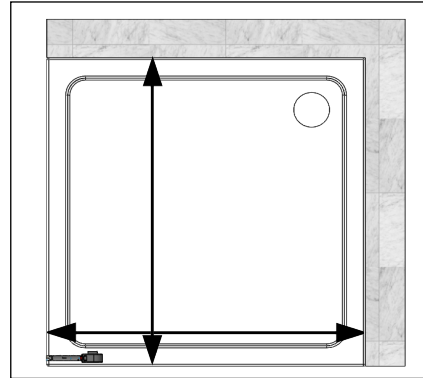
Your area must be tiled and grouted before measuring your tray - refer to your tray installation instructions and ensure this is done correctly. This is because tray measurements are taken from the tiled wall. Once tray installation is complete you can proceed to measuring the area, measure the bottom, middle and top across a 1900mm height. The tables below show the range of tray widths which will allow for correct fitment - this is for standard products only.

For Bespoke products please refer to your customer drawing for the MID Adjustment of the Panel, and add 10mm.

Side Panel Code	Tray Width
N2GL8#	770mm - 790mm
N2GL9#	870mm - 890mm



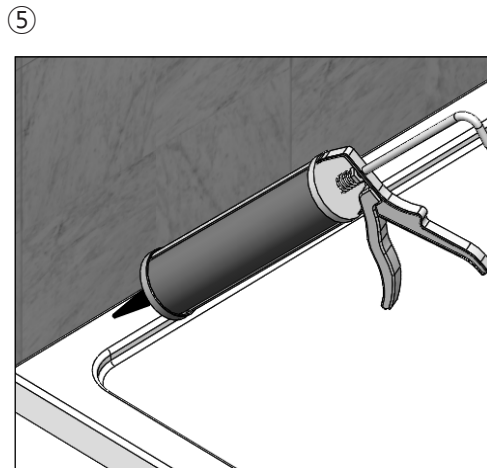
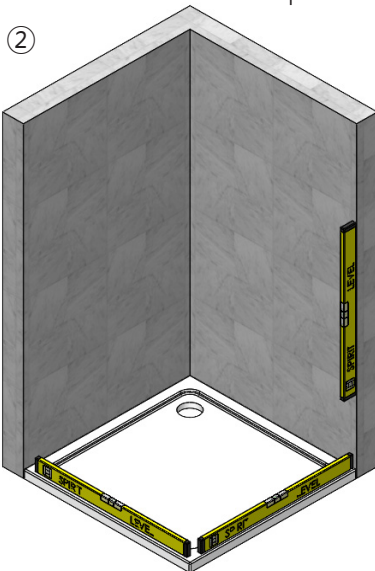
Measure from the very outside of the tray - before the radius. Go all the way to the tiled wall.



Decide which side the Door will go, and which side the Side Panel will go. Use the table above and measure both sides of the tray.

If your tray exceeds the given amount for your product size, you may need a bespoke product.

## Step 2 - Pre-Installation Checks



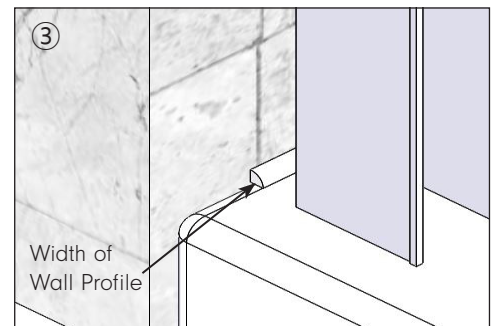
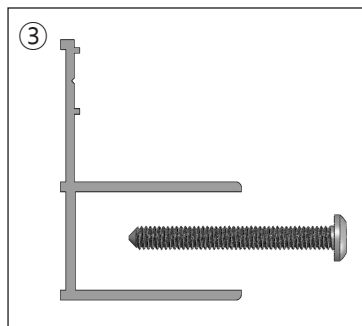
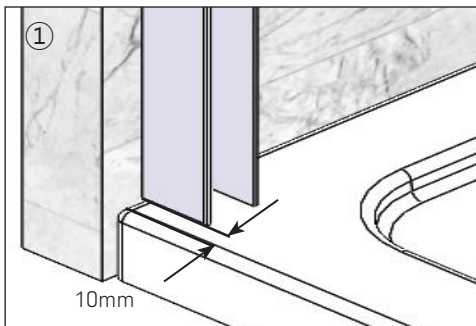
1. Make sure the tray is installed as per the manufacturer's instructions.
2. Check your Tray and Walls are level on all sides (the bubble on the spirit level must be in the centre of the 2 lines).
  - If the Walls & Tray are not level you will not achieve the +/- 10mm of adjustment.
3. Stand in the tray and check that there is no adverse movement (correct if necessary).
4. The walls should be tiled and grouted up to the tray.
5. The tiles and the tray should be sealed using a good quality bathroom sealant:
  - Spray the seal and joints with the shower head and check for leaks when the silicon has cured.
  - Check the plumbing for leaks.
  - DO NOT plasterboard over the tray.
  - DO NOT grout the tiles when the enclosure has been fitted, the grout may discolour the aluminium profiles.

\*only one profile shown here

### Step 3 - Fitting the Wall Profiles



1. Place both Wall Profiles 10mm in from the outside of the tray. Make sure that both wall profiles are completely vertical using a spirit level and mark the wall through the holes with a pencil.
2. Drill the wall with a 6mm Masonry Drill Bit (not supplied) where the Wall Profiles are to be positioned. Fit the Wall Plugs supplied (if going in to a brick or block wall). If going into a plasterboard wall you will need to purchase appropriate wall fixings. Wipe clear all debris from the Tray before referring to the next stage.
3. Where both Wall Profiles are to be positioned on the Tray, place a bead of Bathroom Sealant (not supplied) the width of the Wall Profile along the tiled wall. Screw the Wall Profiles to the wall with 40mm Screws (supplied). Do not over tighten the screws into the Wall Profiles as this will misshape the Wall Profile. Ensure the Wall Profiles stay completely vertical throughout this procedure using a Spirit Level.
  - NO sealant should be present between the Wall Profiles and the tiled walls vertically prior to screw fixing.
4. Seal the gap between the Tray and Wall Profiles with a Bathroom Sealant (not supplied).
  - Failure to carry out this procedure correctly can result in serious water damage and is not covered by the Guarantee.

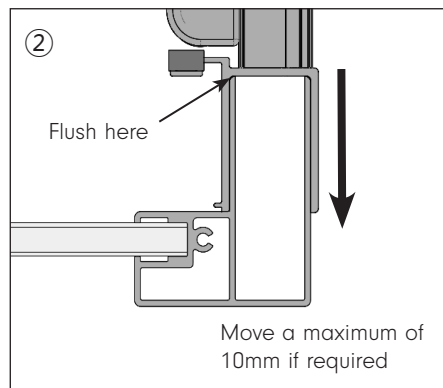
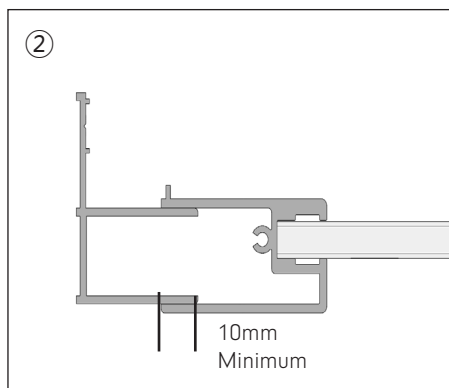


### Step 4 - Fitting the Door and Side Panel

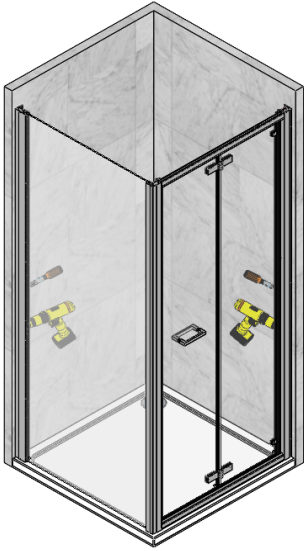


1. Lift the Door onto the Tray and locate fully over the 1st Wall Profile.
  - NOTE: The door should always pivot / hinge from the wall.
2. Lift the Side Panel onto the Tray and locate fully over the 2nd Wall Profile, then locate the Corner Post inside the Door Profile and over the Panel Profile. The Corner Post is intended to be flush with the Panel Profile but can if required be moved by a maximum of 10mm if you require more adjustment.
  - NOTE: If you choose to move the Corner Post then the Cover Cap will not fully cover the top.

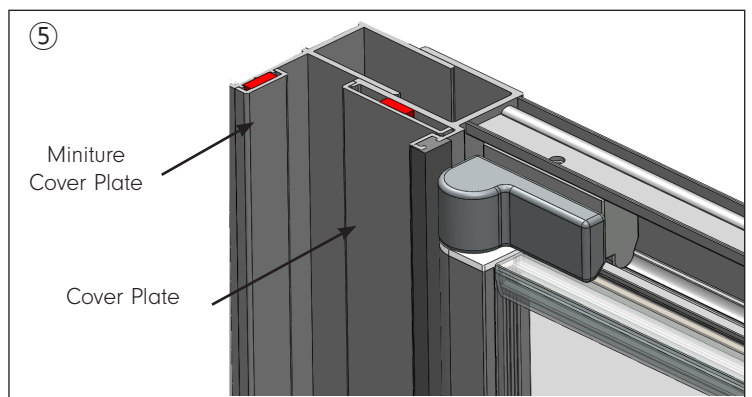
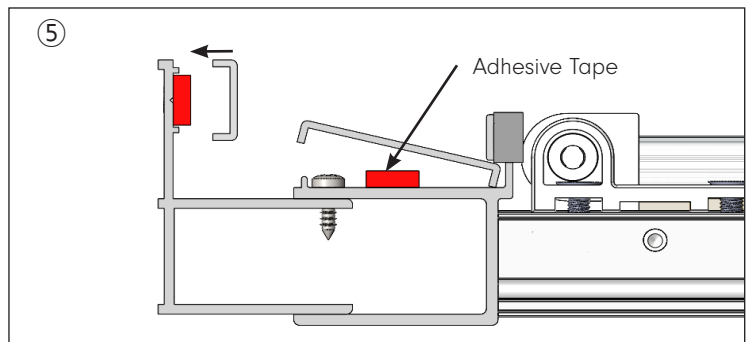
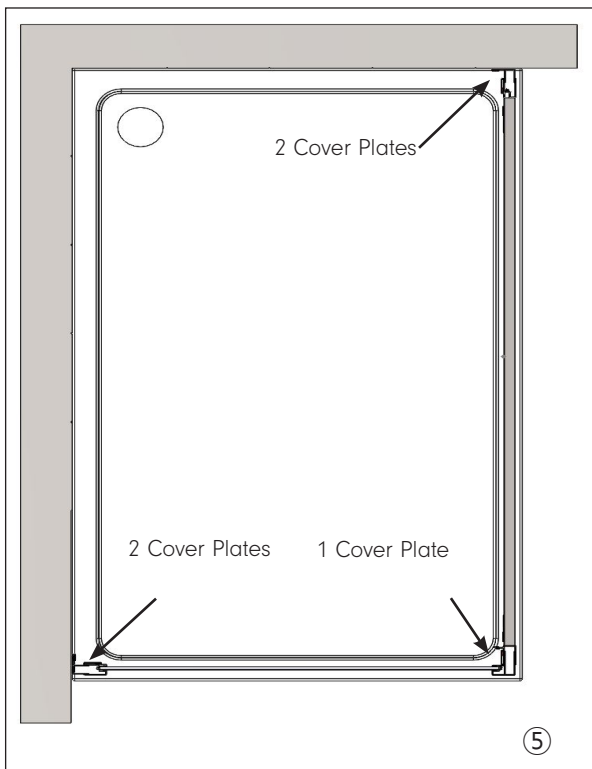
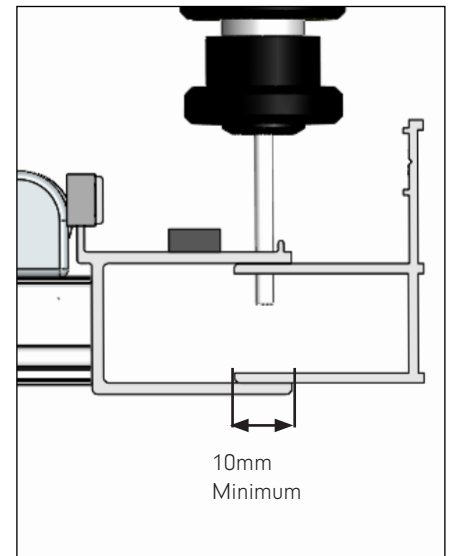
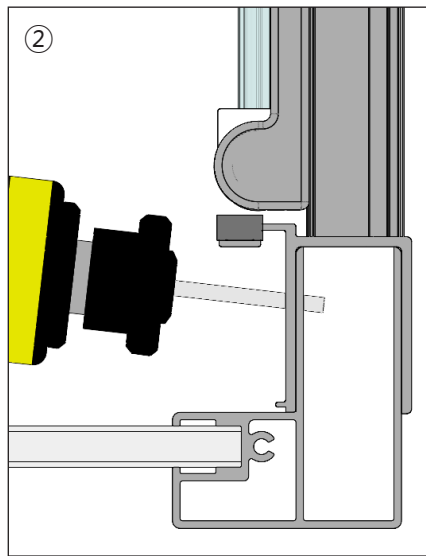
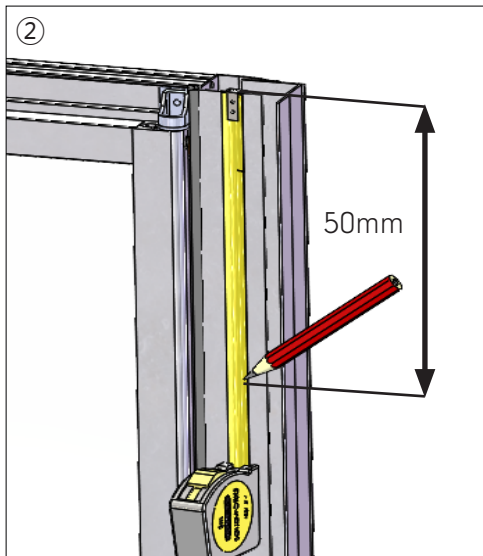
NOTE: Please use your Door Fitting Instructions in conjunction with these Instructions.



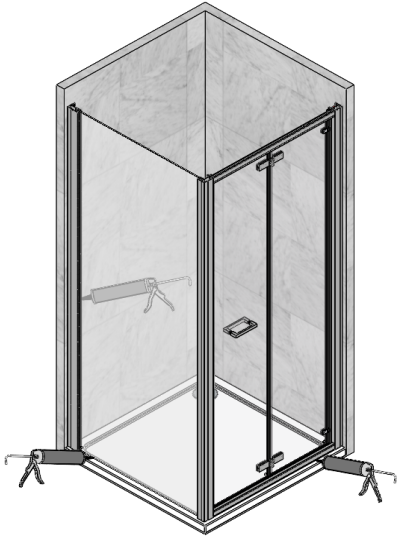
## Step 5 - Drilling and Fixing the Enclosure



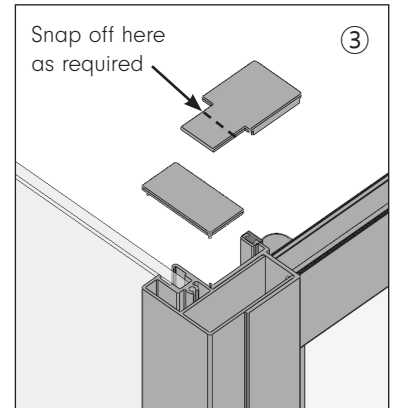
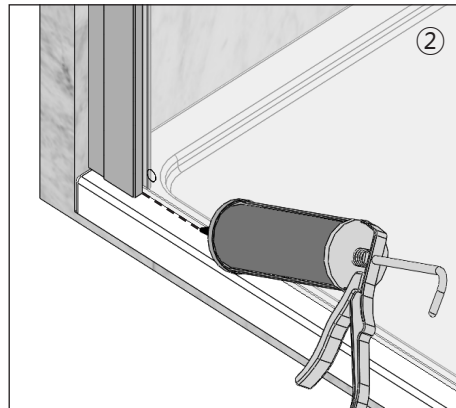
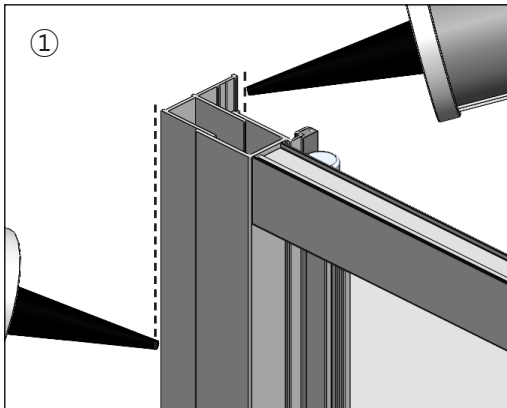
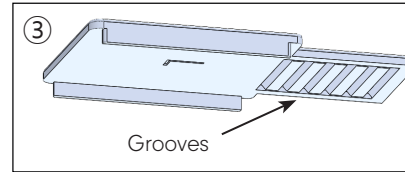
1. Adjust the Corner Post and Panel so that the Door is parallel with the tray. To achieve this, slightly ease the Side Panel away from the Wall Profile. For further adjustment ease the Corner Post away from the Side Panel (see the Note in stage 2 of Step 4).
2. The Wall Profile and Corner Post holding the Side Panel must overlap the Side Panel by at least 10mm. Inside the enclosure drill five 2.5mm holes into the Wall Profile and Corner Post (you may need to drill the Corner Post at a slight angle). The five holes should be drilled approximately 50mm from top and bottom and equally spaced in the centre. During this procedure ensure the Door and Panel remains aligned with the Tray.
  - NOTE: Use a Spirit Level to keep the Side Panel and Corner Post completely vertical in this procedure.
3. Use the 9mm Screws to secure the Corner Post to the Side Panel and use the 9mm Screws to secure the Panel to the Wall Profile.
4. With the Door central between the Wall Profile and Corner Post drill five 2.5mm holes as per the Door instructions. And repeat stage 3.
  - NOTE: When following your Door Instructions, one Wall Profile is now replaced with the Corner Post.
  - NOTE: This part of the installation requires 2 people.
5. When all screws are fitted, peel off the film of the adhesive tape and push on the vertical aluminum cover plates as well as the miniture cover plates for the wall profile to cover the wall fixing screws.



## Step 6 - Sealing



1. Seal both Wall Profiles vertically, both internally and externally where they meet the tiles.
2. Seal the base of the Door and Panel to the top of the tray from wall to wall on the outside only.
  - **IMPORTANT:** Failure to carry out stages 1 and 2 may result in serious water damage and is not covered under the terms of the guarantee.
  - **DO NOT** seal the base of the product to the inside, failure to comply may result in the product leaking.
  - Allow 24 hours for the sealant to fully cure prior to using the shower.
3. The Top Caps with grooves and can be shortened by snapping off at these points (adding a small amount of sealant will help keep them in place).



# Trouble Shooting Guide

Should you experience any problems during installation please refer to the Trouble Shooting Guide or contact Customer Relations on:  
+44 (0) 1325 328033

To enable customer relations to provide you with an excellent level of service it is important that you quote your product Code and Reference Number - these can be found on the Guarantee card.

Problem	Solution
Leaking	<ol style="list-style-type: none"><li>1. Check that the inside gap between the Tray and Wall profile has been sealed correctly.</li><li>2. Ensure the tray is sealed along the tiled walls prior to installation.</li><li>3. If the inside joint between the enclosure and the tray top is sealed, this will cause leakage - sealant must be removed.</li><li>4. Ensure the wall profiles on the tiled walls are sealed both vertically inside and outside.</li><li>5. Ensure the joint between the enclosure and tray top is sealed.</li></ol> <p>Important: This enclosure should be water tested conforming to BS EN 14428</p>
Enclosure Alignment on Tray	<ol style="list-style-type: none"><li>1. Have you read and understood Step 1 of the instructions?</li><li>2. Is the enclosure fitted onto a tiled wall?</li><li>3. Is the wall profile completely vertical?</li><li>4. Is the wall profiles fitted 10mm from outside of the tray?</li></ol>

## Important Information to help you maintain your Product:

The following information is all you need to keep your product looking new.

Our products are generally maintenance free, however it may be necessary to lubricate wheel assemblies and other moving parts such as hinges from time to time.

Clean your product using a mild detergent diluted in water and then polished off using a soft cloth.

If you live in a hard water area, periodically clean your product using a 50/50 solution of white vinegar and water. The solution should be left on the enclosure for approximately 5 minutes then rinsed off using warm water. This method of cleaning should remove lime scale residue.

It is strongly recommended that a quality silicone spray is used.

## A list of Donts

1. Don't use acidic based products which are unsuitable for cleaning enamel surfaces.
2. Don't use abrasive cleaners or cleaners using bleach or solvents, these products will adversely affect the finish of the aluminium profiles.
3. Don't use scouring pads, powder or any sharp instruments when cleaning the enclosure.