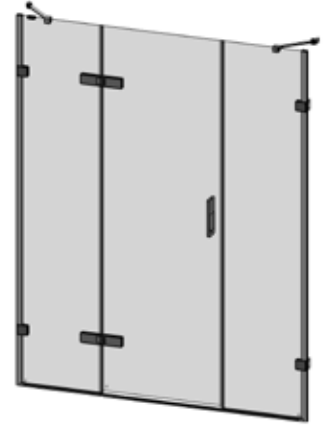
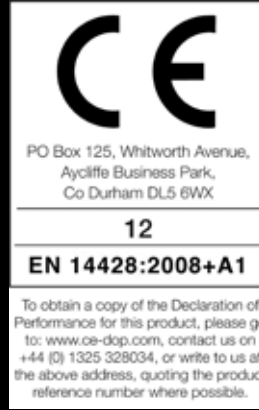


Hinge Door + Two Inline Panels

Instruction Manual

KLHD + KLH



IMPORTANT INFORMATION

- Toughened glass is completely safe for use in our shower enclosures and bath screens; providing our products are installed according to our guidelines.
- It is important to note that the glass must not be mounted or 'pinched' in such a way that would cause a stress point to develop in the glass. In addition, it must not be subject to any sharp impact or severe temperature fluctuation which may also cause a stress point to develop in the glass.
- Toughened glass is physically and thermally significantly stronger than standard glass. During the toughening process the stresses contained within any glass are balanced so if in the unlikely event situation any of the above occurs and the glass breaks, the glass will shatter safely into small thumbnail sized blunt fragments.

PRE-INSTALLATION CHECKS

1. Check you have the correct product. Please look at the labels on the side of the product packaging.
2. Check all the product components are in the box and the fixing kits.
3. Unpack your product and handle it with care.
4. Please check the product for defects or damage, once the installation has commenced we cannot accept responsibility for any defects or damage.
5. Please take time to read these instructions prior to installing your product.
6. Before you commence any drilling check there are no hidden electrical cables and/or water pipes.
7. No attempt should be made to re-work the toughened safety glass.
8. The installation of the product should be performed by two persons.
9. It is strongly recommended that the walls the product is going to be installed on are vertical.
10. It is strongly recommended the product is fitted on a tiled surface or similar waterproof surface.
11. It is strongly recommended the walls are tiled and grouted before the product is installed.
12. If the walls and/or the tray are not level you will not achieve maximum adjustment of the product.
13. Pictures used are for illustration purposes only, product designs may alter slightly as a result of continuing product development.
14. We do not stipulate where the European Standard Kite Mark should be positioned on the glass when being factory assembled.
15. Please note that some natural misting may occur when you remove this product from its packaging, due to the addition of the glass protection pre-coating. If this does occur this can easily be removed with a soft, dry cloth.

Equipment Check List: Not Supplied

Description
Electric / Battery Drill
Pozi Screwdriver
Sealant Gun / Sealant
Spirit Level (Large)
7mm Masonry Drill Bit
Tape Measure
Pencil
Torque Wrench
Stanley Knife / Snips

Fixing Kit Components

Quantity

Description	KLHD	KL1H
Door Setting Blocks	4	-
40mm long Countersink Head Screws	-	10
Wall Plugs (Brown)	-	18
Branding Clip	1	-

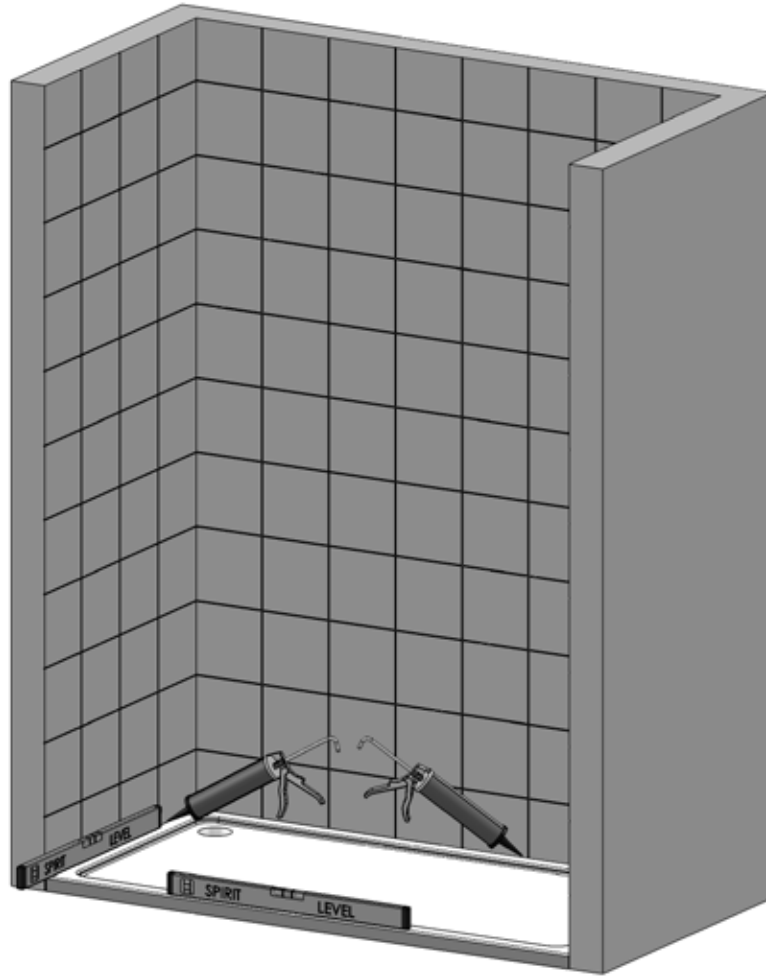
Component Check List: Supplied

Description	Quantity
Wall Profiles	2
Inline Panel Glass	2
Hinges	2
Door Glass	1
Handle Assembly	1
Inline Panel Seals	2
Bottom Seal - Bottom Rail (Sloped)	1 of each
Wall Profile Top Caps	2
Wall Brackets	4
Wall Brace Assembly (Left and Right Hand)	1 of each
Blanking Ends (Left and Right Hand)	1 of each
Dam to Profile Joints	2

CONSUMER GUARANTEE

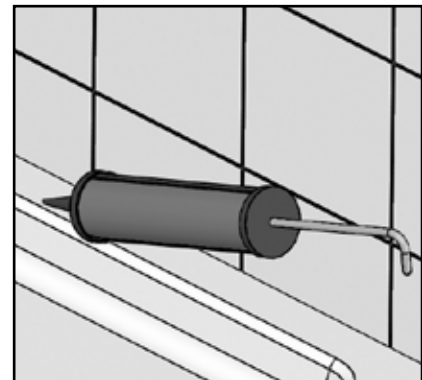
Please make sure the purchaser/end user completes and returns the guarantee card which is enclosed with this product. Failure to validate the Guarantee will mean only the 1 Year Statutory Guarantee will apply.

Step 1 - Pre-Installation Checks and Aperture Sizes



Enclosure Code	Alcove Size (Minimum)	Alcove Size (Maximum)
KLHD13 + KLH1213	1166	1194
KLHD13 + KLH1413	1366	1394
KLHD13 + KLH1613	1566	1594

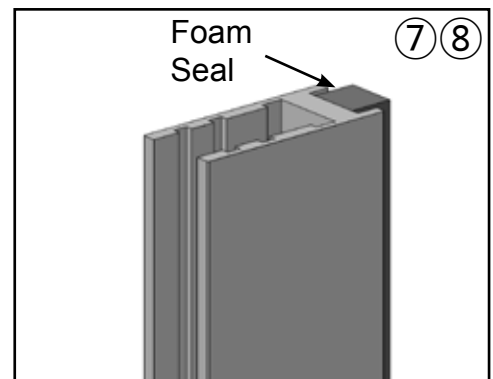
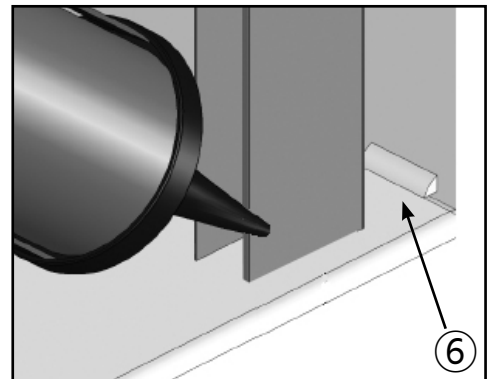
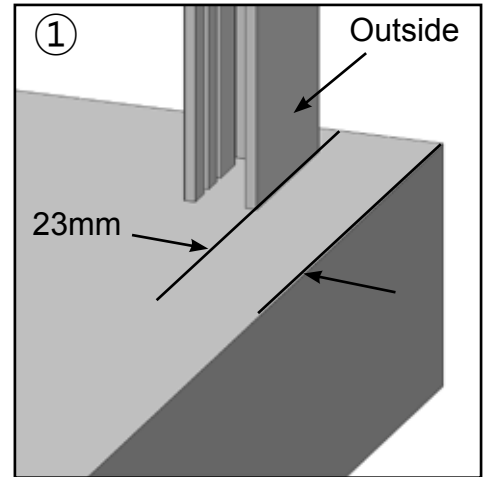
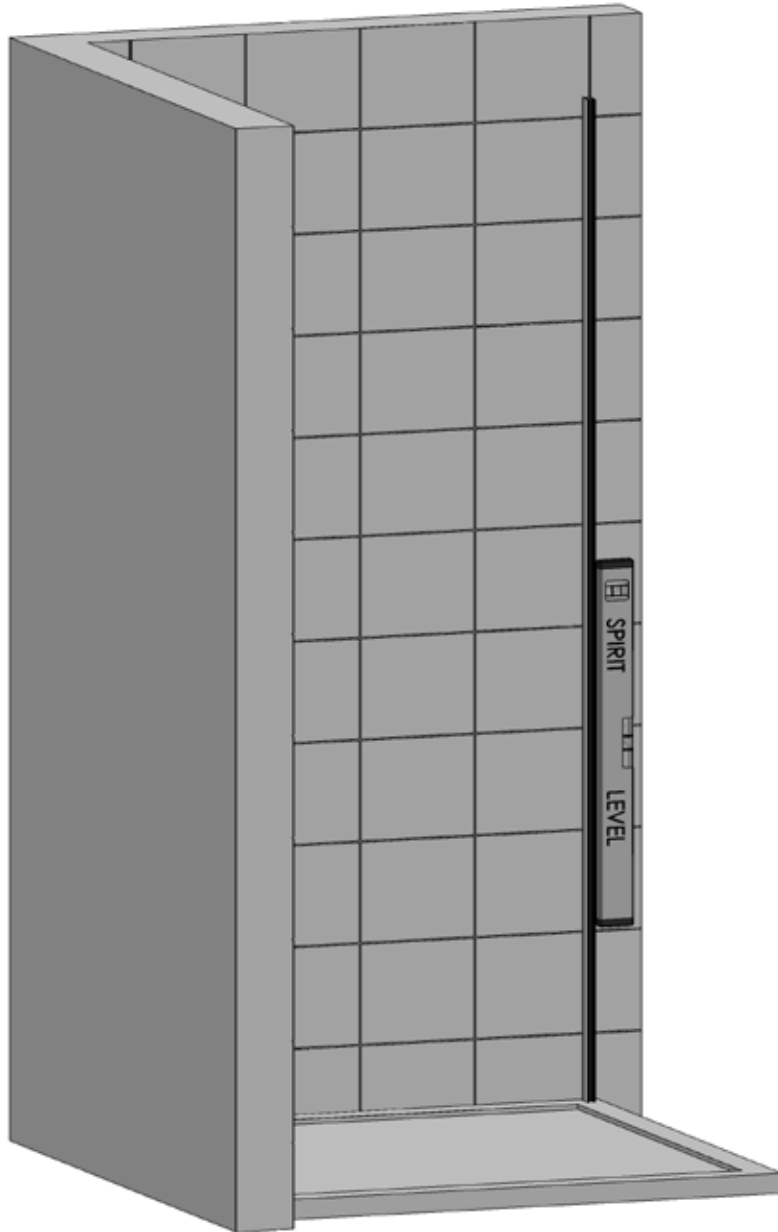
IMPORTANT: The above are finished tiled sizes



1. Check the tray is level on all sides (the bubble on the spirit level must be in the centre of the 2 lines).
2. Stand in the tray and check that there is no adverse movement (correct if necessary).
3. The walls should be tiled and grouted up to the tray.
4. The tiles and the tray should be sealed using a good quality bathroom sealant.
 - **Spray the seal and joints with the shower head and check for leaks when the silicon has cured.**
 - **Check the plumbing for leaks.**
 - **DO NOT plasterboard over the tray.**
 - **DO NOT grout the tiles when the enclosure has been fitted, the grout may discolour the aluminium profiles.**
 - **Make sure the tray is installed as per the manufacturer's instructions.**
 - **When all of the above has been completed please proceed to the Step 2.**

Step 2 - Panel Wall Profile Positions

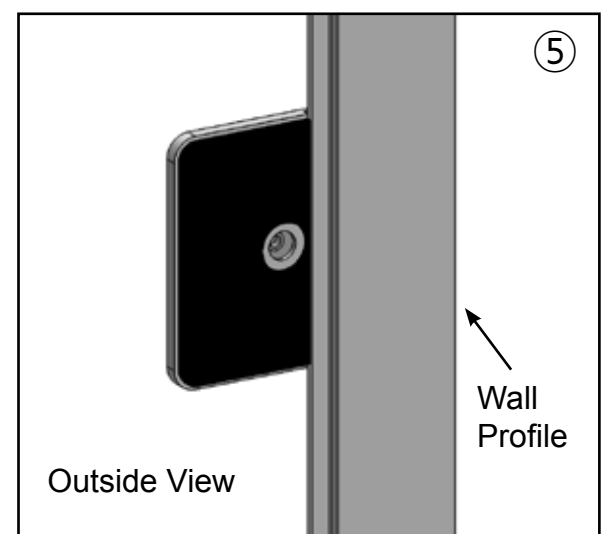
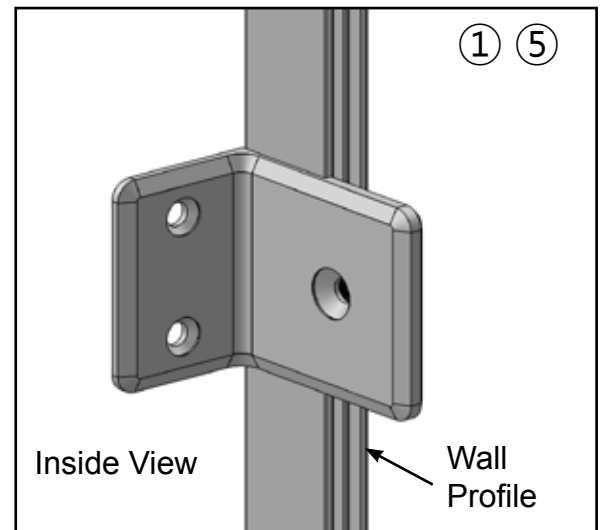
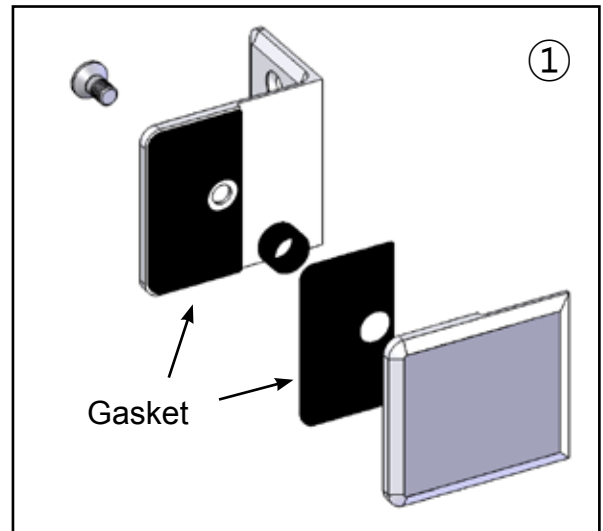
NOTE: Placing some Masking Tape on the Tiled Wall in the position where the Wall Profiles are to go will not only help with marking out but will also help protect the tiles when drilling.



1. Mark a line on the Wall 23mm in from the outside face of the tray. Repeat for the other end.
2. Place a Spirit Level onto the pencil marks and add a pencil line fully up the wall at both ends.
 - **IMPORTANT: You MUST ensure that the Spirit Level is completely vertical when marking the wall.**
3. Place the outside of the Wall Profile onto the pencil line making sure that it is fully vertical.
4. Mark the wall through the holes in the Wall Profile.
5. Drill the wall with a 7mm masonry drill (not supplied). Remove the Masking Tape and fit the Wall Plugs and remove any debris.
6. Apply a bead of sealant the width of the Panel Profile where it meets the top of the tray and the tiled wall.
7. Place the Wall Fixing screws into the holes in the Panel Profile, carefully move the Foam Seal to one side to allow the screws through if required.
 - **IMPORTANT: DO NOT remove the Foam Seal.**
8. Line up the screws with the holes in the Wall and tighten all the screws.
 - **NOTE: Tighten the screws evenly, ensure the Foam Seal does NOT protrude out from the Panel Profile.**

Step 3 - Panel Wall Bracket Positions

NOTE: Use the following procedures for both Panels.

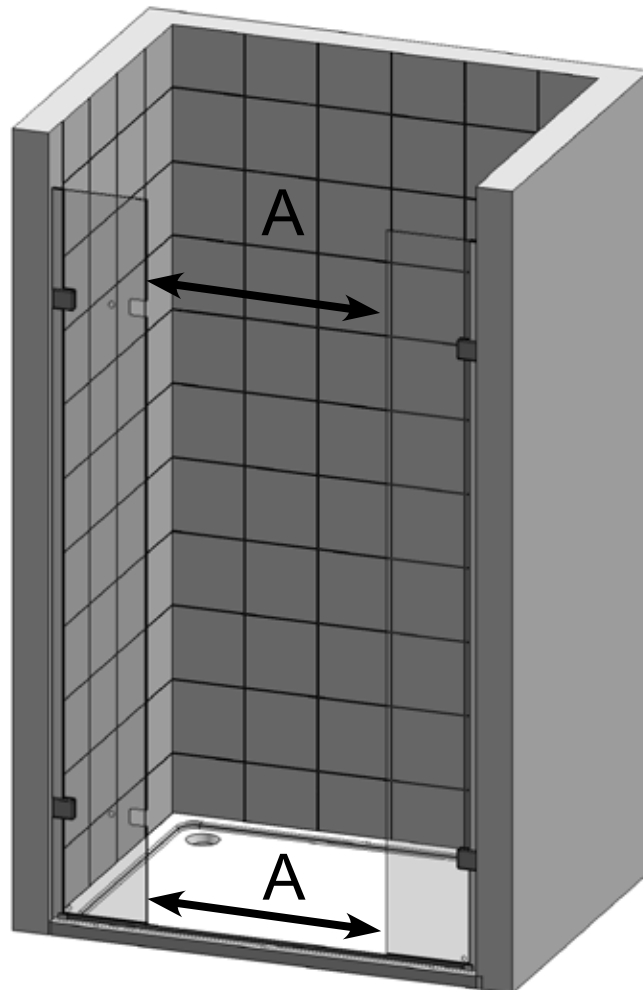
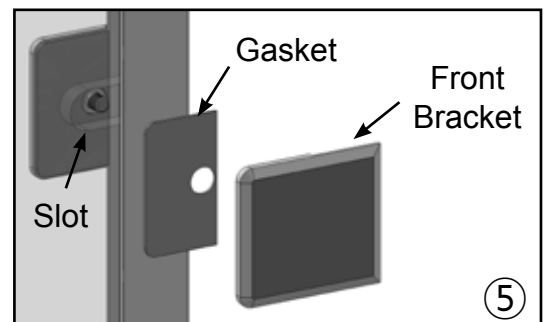
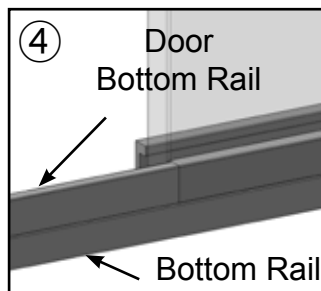
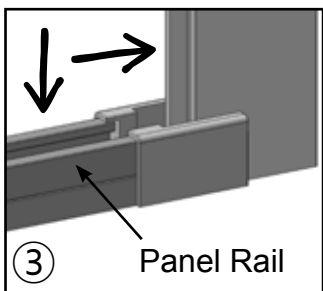
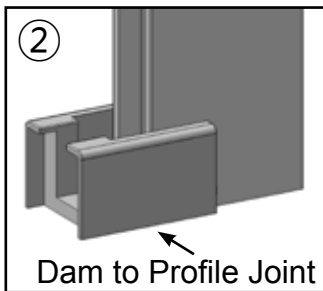
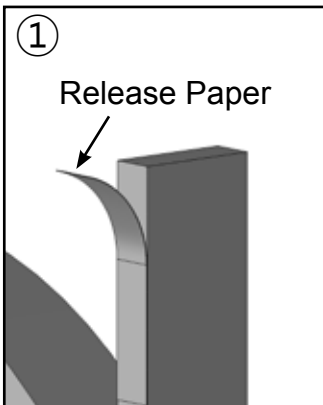
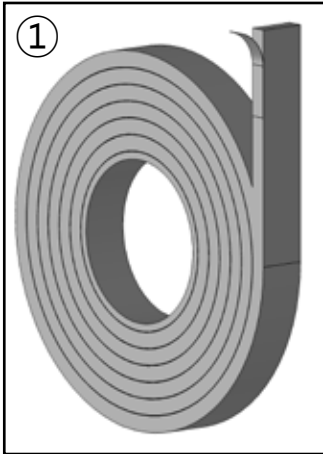


1. Dismantle the Wall Brackets and fit onto the Panel Glass ensuring that all gaskets are fitted. Ensure that the brackets are fitted the correct way (screws to the inside).
2. Carefully lift the Panel into the Wall Profile and up to the wall.
3. Mark the wall through the holes in the Brackets using a pencil. Remove the Panel.
4. Drill the wall with a 7mm masonry drill (not supplied). Fit the Wall Plugs and remove any debris.
5. Remove the brackets from the Panel and fasten the inside bracket to the wall and over the Wall Profile.

Step 4 - Fitting the Panels

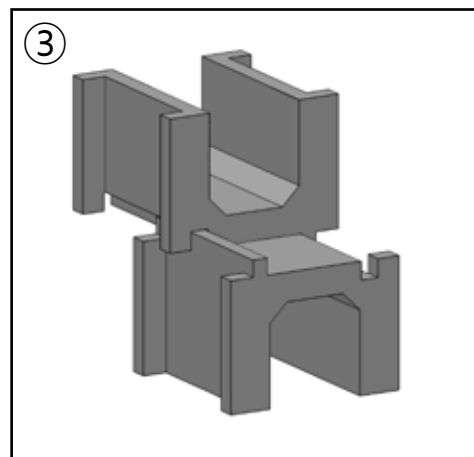
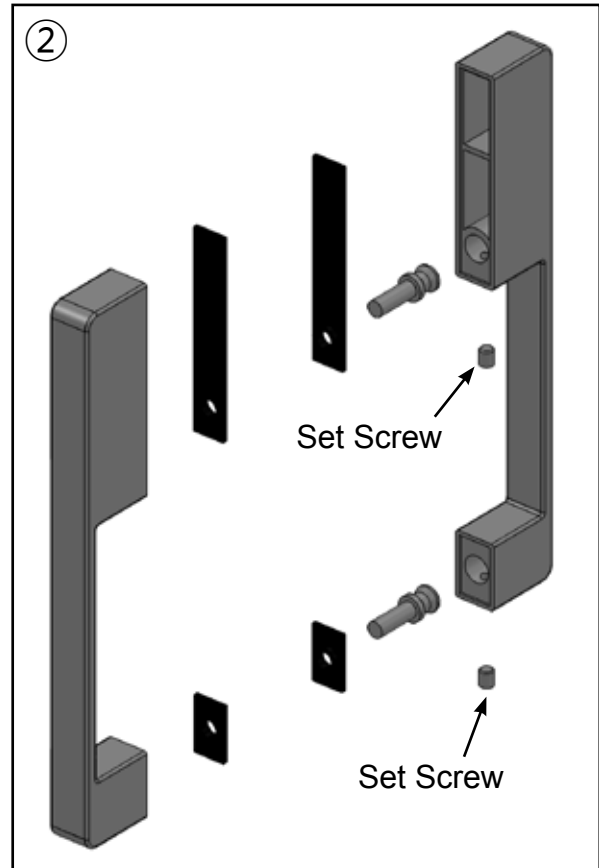
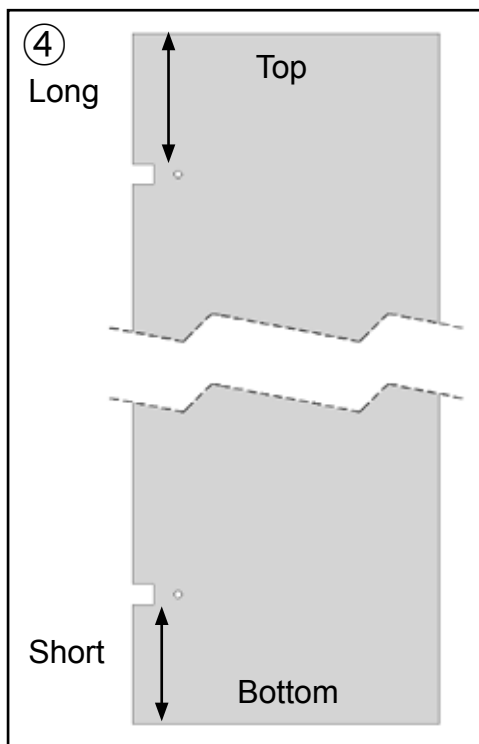
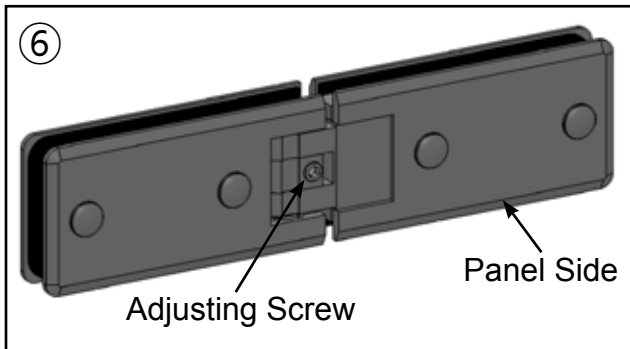
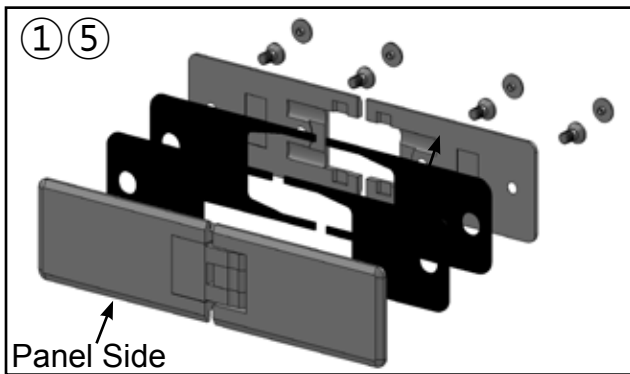
Note: We recommend 2 people carry out the procedures below.

Inline Panel Gap	Dimension A
All Sizes	663



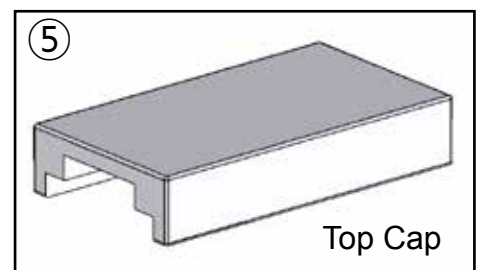
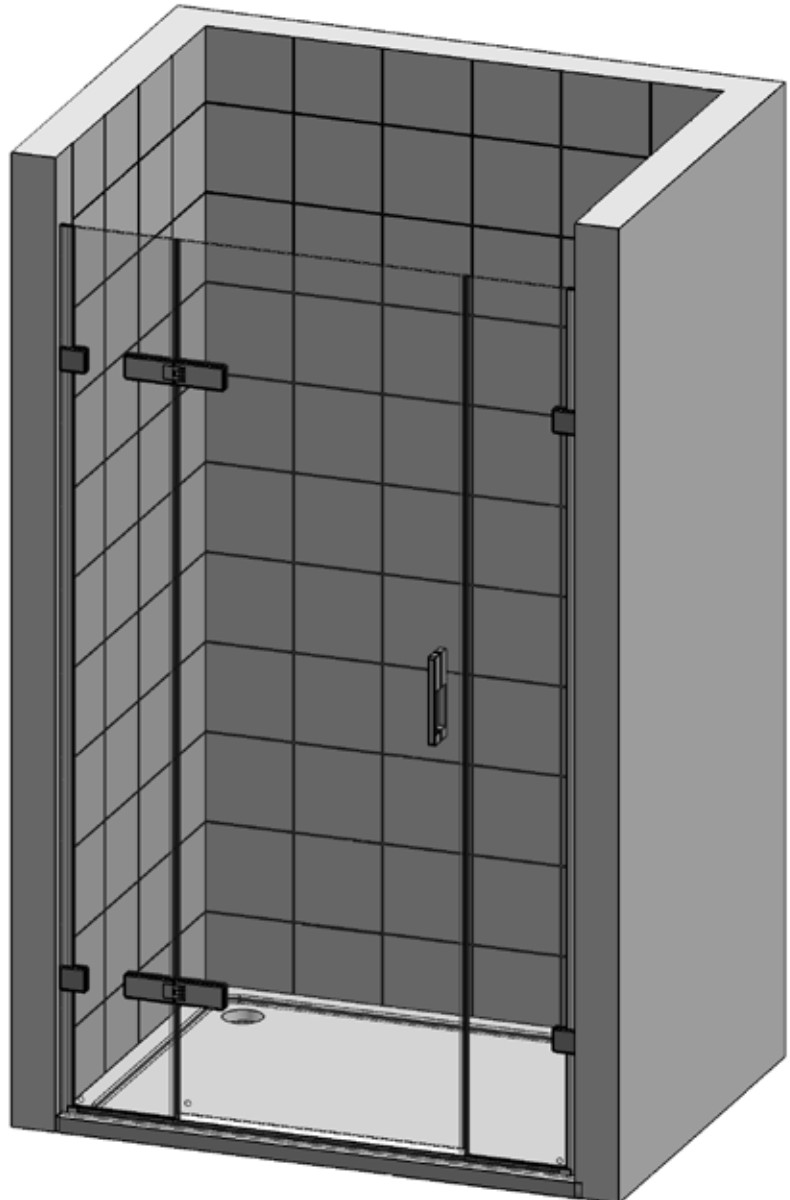
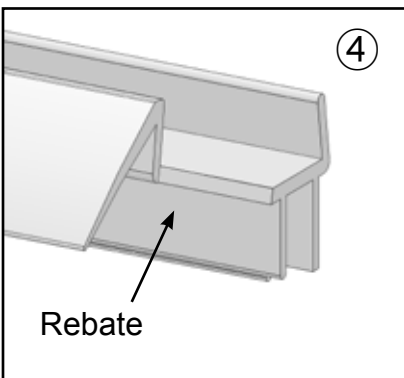
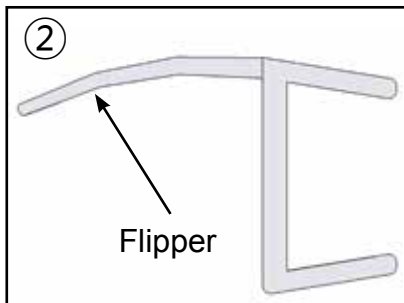
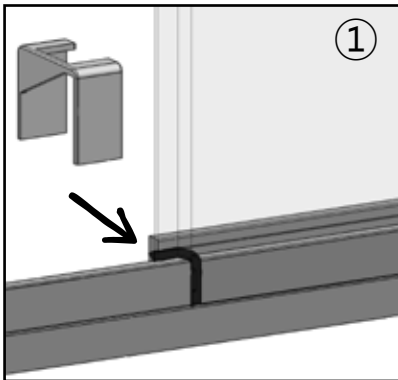
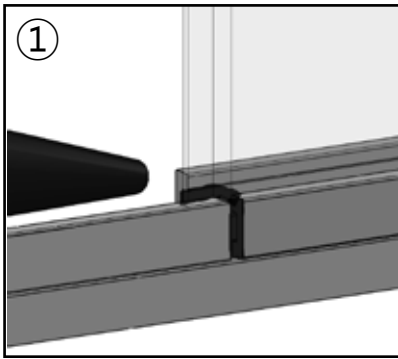
- Place the Foam Seal to the inside of the Panel Profiles and push it in up to the screws, ensure it touches the top of the tray. Remove the release paper from the Tape at the top and attach it to the inside to stop the Foam Seal from dropping.
 - IMPORTANT: Let the Foam Seal fall freely down the channel, DO NOT stretch.**
- Place the Bottom Rail onto the Tray and between the Panel Profiles, fit the Dam to Profile Joints at each end.
- Fit each Panel into the Bottom Rail by pushing them down, push the Panels into the Panel Profiles.
- Create a gap "A" (see Table) between the Panel Glass, ensure both Panels are equal at both sides then fit the Door Bottom Rail (ensure the slope faces inward) into the Bottom Rail and between the glass.
- With the Panels in position attach the front of the Wall Brackets to the already fitted Brackets and fully tighten all the screws, ensure that the gaskets are placed between the Brackets and glass.
 - IMPORTANT: Please ensure that the gap ("A") between the Panels is the same all the way up.**

Step 5 - Fitting the Door



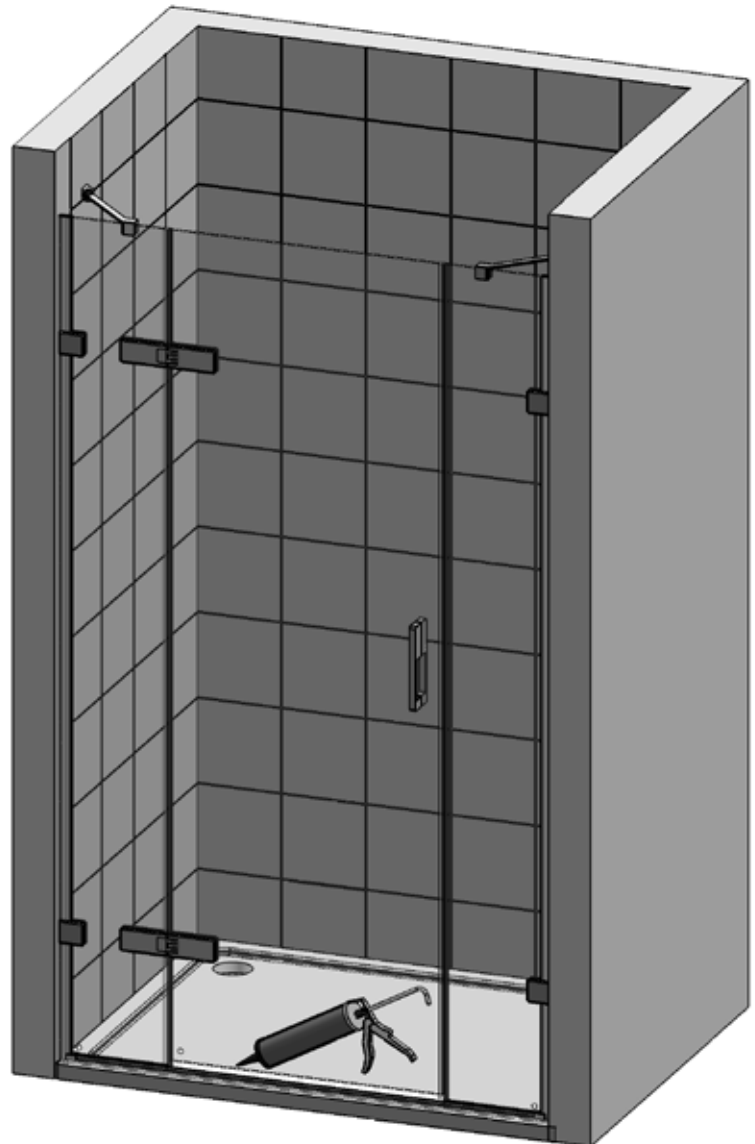
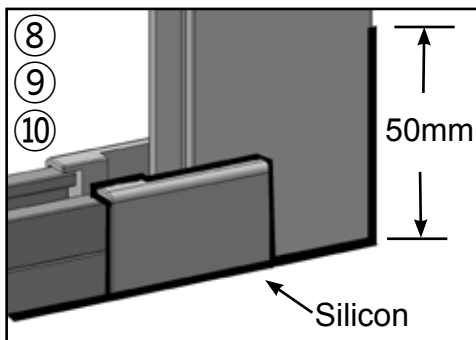
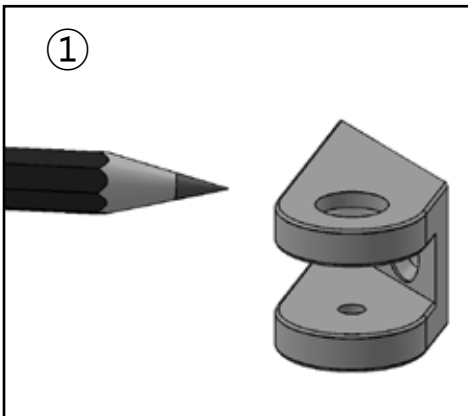
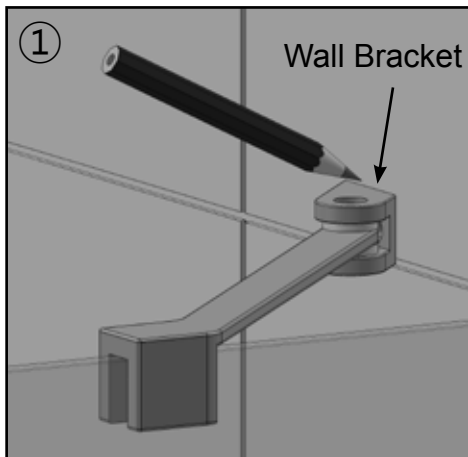
1. Carefully dismantle the Hinge Assemblies. Fit the Panel Side of the Hinge to the Hinged Panel ensuring two gaskets are fitted on both sides of the glass. Make sure they are square to the Glass and tighten the screws.
2. Remove the Handle Assembly from it's packaging and reassemble onto the Door Glass, ensure that the set screws are fitted on the inside and at the bottom of the Door. Ensure all gaskets are used between the glass and metal parts.
3. Take the Red Door Setting Blocks and slide them together to create two small assemblies. Position them on the tray over the Bottom Rails
4. With the Door Glass the correct way round offer it onto the Hinges and onto the Red Setting Blocks.
5. Replace the gaskets and back plates onto the Hinges and fully tighten the countersink screws.
 - **Note: There are 2 gaskets on either side of the glass.**
 - **IMPORTANT: Tighten the 8 Hinge fixing screws to 10N/m using a torque wrench.**
6. The Hinges can be adjusted inward or outward. Loosen the Adjusting Screw, move the Door to the desired position then tighten the Adjustment Screw.

Step 6 - Fitting the Seals



1. At the bottom of Panel Assembly, place a bead of silicon between the Glass and the bottom Rails. Fit the Blanking Ends and carefully remove any excess silicon.
2. Fit one Panel Seal onto the Plain Panel Glass and down on top of the Blanking End, trim to length if required.
 - **IMPORTANT: Please ensure that the flipper part of the Seal is placed on the inside of the enclosure.**
3. The other Panel Seal is fitted to the Door at the Hinge side and will require cutting to fit.
 - **IMPORTANT: Ensure that the flipper part of the Seal closes onto the Hinge Panel when the door is shut.**
4. The Bottom Seal requires a rebate at one end only (Handle side). Fit the Bottom Seal so that the rebated end is level with the glass at the Handle side of the door and cut it to length so that it butts up to the Hinge Side of the glass. Push fully onto the glass.
 - **IMPORTANT: The Seal is rebated at both ends, remove the rebate that is not required. You MUST ensure that the Deflector on the Bottom Seal is facing inward towards the shower.**
5. Fit the Top Caps to the top of the Panels Profile and the Branding Badge to the top of the Panel Glass.
6. Fit all the Cover Caps to the screws to the Hinges, Wall Brackets and Bracing.

Step 7 - Bracing and Sealing

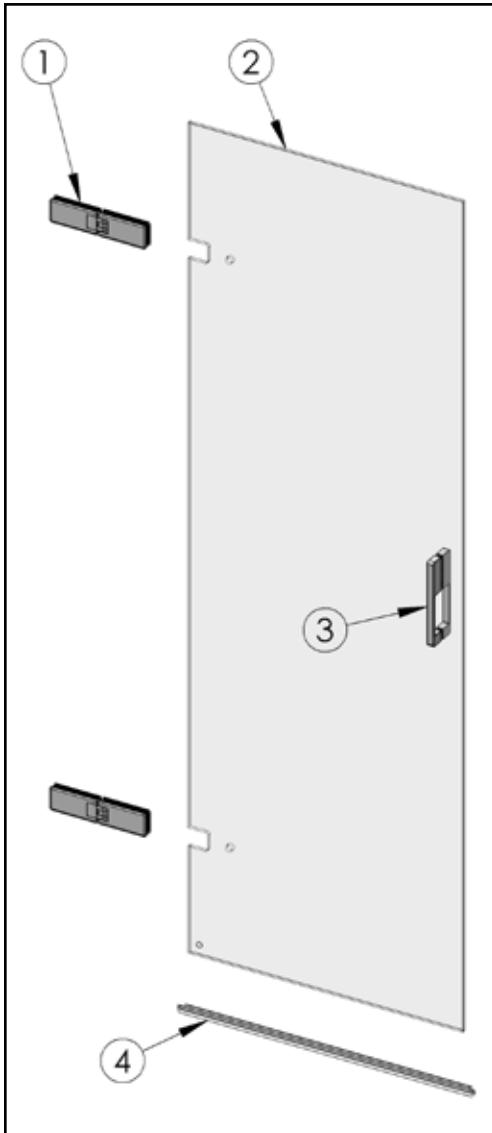


1. Place the Bracing assembly onto the top of the Panel Glass and up to the tiled wall, use a Spirit Level to keep it horizontal.
2. Lightly mark the tiles around the Wall Bracket. Remove the Bracing.
 - **NOTE: Place masking tape where the Wall Bracket is to go as it will protect the tiles and aid in marking.**
3. Remove the Wall Bracket from the Bracing Assembly. Place the Wall Bracket over the pencil mark and mark the hole positions
4. Drill the hole positions using a 6mm Masonry Drill (not supplied) and fit the Wall Plugs.
5. Fit the Wall Bracket to the tiled wall using the screws supplied.
6. Place the Bracing onto the top of the Panel Glass and into the Wall Bracket and re-assemble.
7. Ensure that the gaskets are between the Glass and Bracing then fully tighten all screws in the Bracing.
8. Place a bead of silicon around the top of the Dam to Profile Joints and up the sides.
9. Seal the base of the enclosure horizontally on the outside only.
10. Seal the Wall Profiles about 50mm up from the tray on the outside only (both sides).

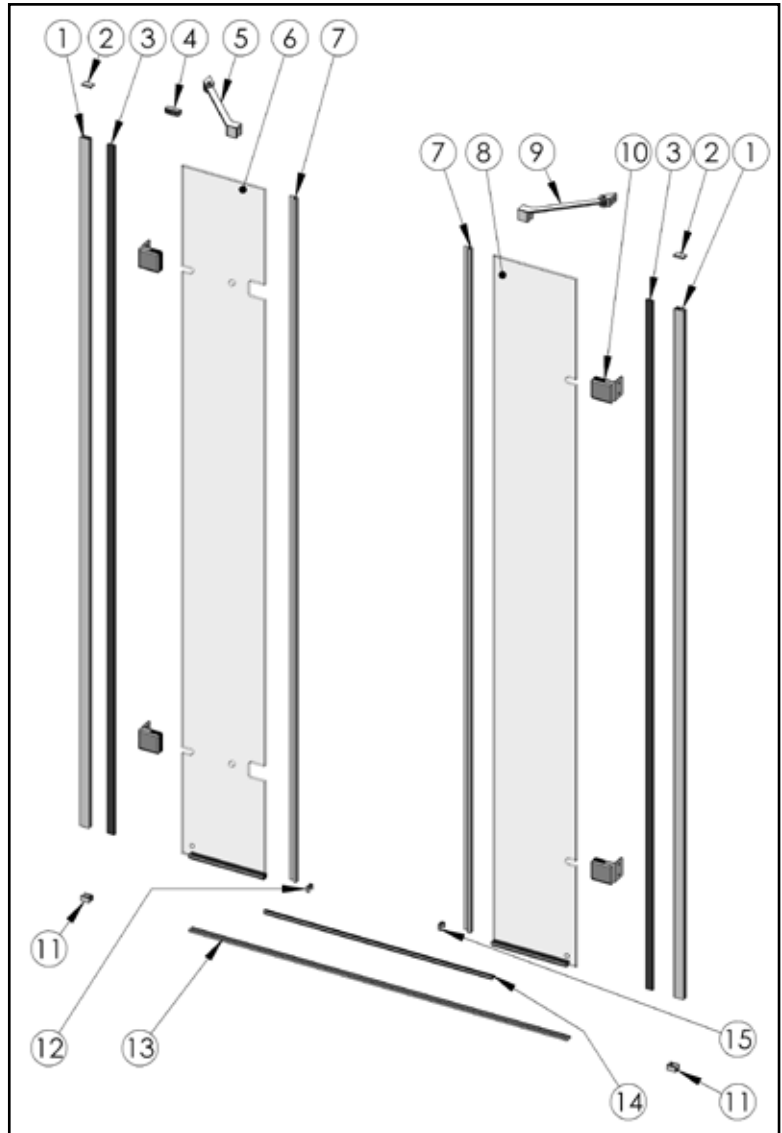
Spare Parts

If you need to replace any damaged parts please see illustration below for parts list then call Customer Relations on 01325 328033

Door



Panels



IMPORTANT

On ordering items please state what finish your product is i.e. Silver, Nickel or Black.

Part No.	Door	Qty	Part No.	Panel	Qty	Part No.	Panel Cont...	Qty
1	Hinge Assemblies	2	1	Panel Profiles	2	11	Dam to Profile Joints	2
2	Door Glass	1	2	Top Caps	2	12	Blanking End (Left Hand)	1
3	Door Handle Assembly	1	3	Foam Seal	2	13	Bottom Rail	1
4	Door Seal	1	4	Branding Clip	1	14	Door Bottom Rail	2
5			5	Bracing Assy (Left Hand)	1	15	Blanking End (Right Hand)	1
6			6	Hinge Panel Assembly	1			
7			7	Vertical Flipper Seals	2			
8			8	Plain Panel Assembly	1			
9			9	Bracing Assy (Right Hand)	1			
10			10	Wall Brackets	4			

TROUBLE SHOOTING GUIDE

Problem	Solution
Leaking	<ol style="list-style-type: none">1. Check that the inside gap between the Tray and Wall profiles has been sealed correctly.2. Ensure the tray is sealed along the tiled walls prior to installation.3. If the inside joint between the enclosure and the tray top is sealed, this will cause leakage - sealant must be removed.4. Ensure the wall profiles on the tiled walls are sealed both vertically inside and outside.5. Ensure the joint between the enclosure and tray top is sealed. <p>Important: This enclosure should be water tested conforming to BS EN 14428</p>
Enclosure Alignment on the Tray	<ol style="list-style-type: none">1. Is the enclosure fitted onto a tiled wall?2. Is the wall profile completely vertical?
Door not operating correctly	<ol style="list-style-type: none">1. Ensure both wall profiles are completely vertical.2. Adjusting the Set screw on the inside of the Hinges can help.3. Ensure the tray is completely level.4. Check the bottom of the door is parallel to the top of the tray.
Door Alignment	<ol style="list-style-type: none">1. Ensure the wall profile is completely vertical.2. Ensure the tray is completely level.3. Check the bottom of the door is parallel to the top of the tray.4. Check the Hinge Screws have been fully tightened to 10N/m.
Panel Alignment	<ol style="list-style-type: none">1. Ensure the tray is completely level.2. Check the Bracing is fitted correctly and is fully tightened.

Some important information to help you Maintain your product.

The following information is all you need to keep your product looking new.

Clean your product using a mild detergent diluted in water and then polished off using a soft cloth.

If you live in a hard water area, periodically clean your product using a 50/50 solution of white vinegar and water. The solution should be left on the enclosure for approximately 5 minutes then rinsed off using warm water. This method of cleaning should remove lime scale residue.

Simple Maintenance

Our products are generally maintenance free, however it may be necessary to lubricate wheel assemblies and other moving parts from time to time.

It is strongly recommended that a quality silicone spray is used.

A list of Don't's:

1. Don't use acidic based products which are unsuitable for cleaning enamel surfaces.
2. Don't use abrasive cleaners or cleaners using bleach or solvents, these products will adversely affect the finish of the aluminium profiles.
3. Don't use scouring pads, powder or any sharp instruments when cleaning the enclosure.

Should you experience any problems during installation please refer to the Trouble Shooting Guide or contact Customer Relations on:

+44 (0) 1325 328033

To enable customer relations to provide you with an excellent level of service it is important that you quote your product Code and Reference Number - these can be found on the Guarantee card.