

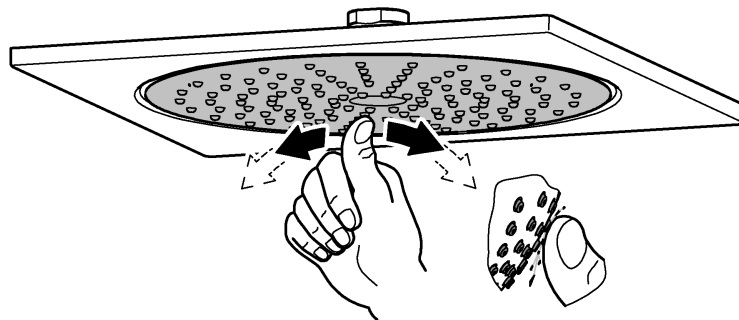
DESIGN + ENGINEERING
GROHE GERMANY

96.767.031/ÄM 222379/07.22

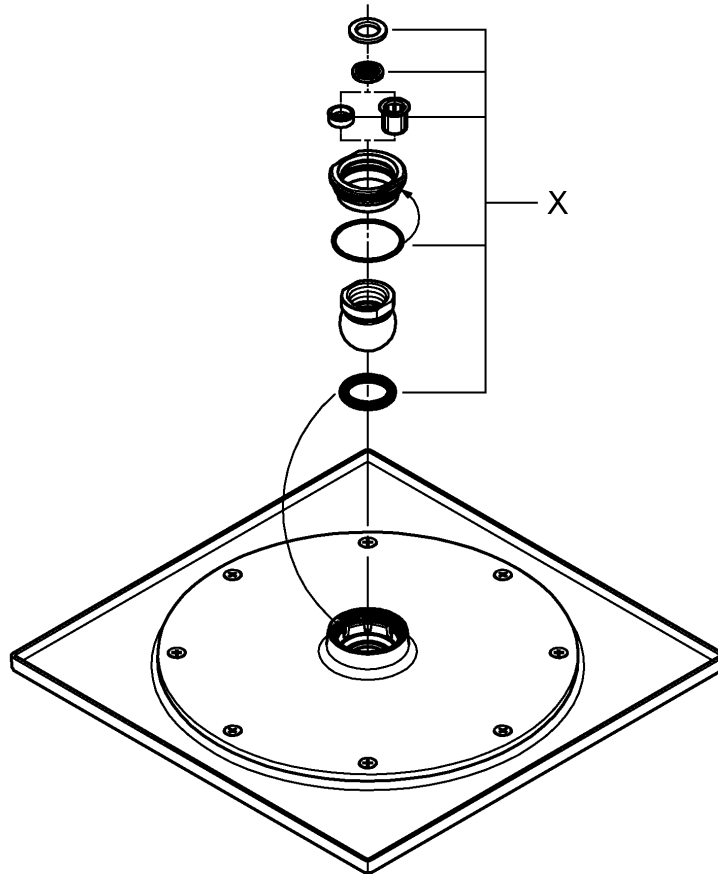
www.grohe.com

*Pure Freude
an Wasser*

GROHE
WAVES



SpeedClean



X	45 933			48 185	48 471	(KSA) (UAE) 48 469	(CN) 45 933
	5,7 l/min	9,5 l/min	24 l/min	6,6 l/min	13,2 l/min	7,6 l/min	9,5 l/min
	1,5 gpm	2,5 gpm	6,3 gpm	1,75 gpm	3,5 gpm	2 gpm	2,5 gpm

