

Tavistock Bath Panel

Fitting & Aftercare Instructions for MDF and Isocore

TAVISTOCK
inspiring bathrooms

Please read carefully through the following instructions before attempting to install the panel. This leaflet contains aftercare instructions which must be made available to the end user.

Note: All reference to sealing of panels is for MDF panels only, Isocore panels do not need sealing.

Remember:

- Take care when using electrical appliances near water. The use of a residual current device (RCD) is recommended.
- Use eye protection when drilling.
- Check for any hidden pipes or cables.

The following is a series of guidelines to aid the installation process of this product. They have been developed in order to be applicable to the majority of bath panel installations. It is possible that due to the type of bath or particular conditions on site that these instructions are not suitable for your installation. Please read these instructions carefully and in case of difficulty a suitably qualified person should be consulted. Tavistock cannot be held responsible for faults or damages caused as a result of the installation process. Please check the panel before fitting, as damage claims cannot be made after it is installed.

1. LEVELING THE BATH

Before fitting the panel ensure the bath is set at the correct height to suit the panel and is level (measure panel height first). If the floor is sloping it may be necessary to cut the bottom of the panel to follow the slope in the floor. If this is the case it is essential the cut faces / exposed MDF are resealed. Please refer to the guidelines below.

2. ADJUSTING THE HEIGHT OF THE PANEL

If your panel is supplied with a plinth, you can adjust the height to suit the installation. The plinth is fixed to the back of the panel using at least 3 wood screws. Make sure the screws are positioned so that they screw into the bottom of the panel on the backside.

To work out the plinth position, measure the height of the bath at both ends and then fix the plinth accordingly so there is not a gap between the bath panel and the floor. The plinth should be adjusted to allow for any slope in the floor.

3. CUTTING THE PANEL TO AVOID OBSTRUCTIONS

Isocore Panels:

The main benefit of Isocore panels is that cut faces will not be affected by water. Cut with a fine tooth cross cut saw and ensure a clean edge to prevent paint damage. Additional sealing is not necessary to protect the panel.

Wooden Panels

Cutting into the bath panel should be avoided. This is because the panel has a protective finish to give maximum water protection. If the seal is broken by cutting into the panel, it will ultimately weaken the panels defence against water.

IF CUTS INTO THE PANEL ARE ESSENTIAL (TO ALLOW FOR PIPE RUNS ETC.) THEN THE FOLLOWING STEPS MUST BE TAKEN:

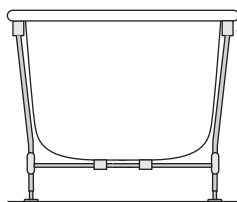
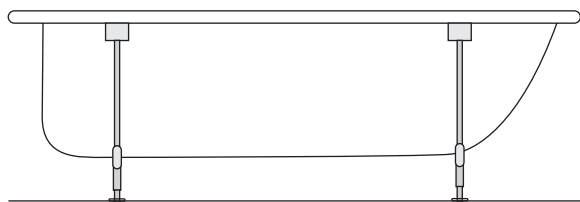
- A- To prevent surface splinters, score the section to be cut with a sharp knife before cutting.
- B - Use a fine tooth, cross cut saw.
- C - It is essential that all freshly exposed timber is re-sealed using a varnish. Failure to re-seal timber may result in water penetrating the panel and causing damage. Failure to re-seal will also invalidate the product warranty.
- D- If the cut area is in a location where it is likely to be regularly splashed then it must also be sealed with silicone to prevent water seeping onto the cut and re-varnished surface.

It is possible that some types of bath have obstructions that prevent the panel from sitting flush with the rim of the bath. The result is that the top edge of the panel protrudes from the rim of the bath by as much as 10mm. This is not a fault of the bath panel. It is perfectly acceptable for the bath panel to be fitted this way. But should this be visually unacceptable then the only course of action is to remove the obstruction or cut the panel to accommodate for the obstruction.

Two examples of typical causes are:

- 1) Plastic baths with a steel cradle foot system (see Diagram A below)

Cutting Bath Panel to Avoid Obstructions continued:



The panel is obstructed where the legs connect to the bath. Notches can be cut at the top of the panel to allow for legs. Re-seal cut areas as previously described.

NOTE: If the steel legs obstruct the panel over the entire bath height then it will not be possible to fit the panel flush to the bath rim

2 - Some baths have an obstruction that runs the entire length of the bath under the rim. (Usually a chipboard strengthener.) The only course of action is machine a rebate along the entire length of the panel. This should only be attempted using power tools as a hand plane will exert too much force on the panel's construction. The following guidelines should also be followed:

- 1 - The rebate is no more than half the thickness of the panel.
- 2 - The rebate is no more than 40mm in height.
- 3 - The cut area is re-sealed with at least 2 coats of polyurethane varnish
- 4 - The rim of the bath and the top edge of the panel are sealed with silicone sealant to prevent water seeping onto the rebated area.

3. INSTALLING THE PANEL IN THE CORRECT POSITION

NOTE: The panels are not intended as means to support the bath. It is assumed that the bath is installed in a correct and stable manner prior to panel installation.

The recommended method of supporting the panel is to use softwood strips that are fixed to the walls at either end of the bath. A complete softwood frame is not required as the panel is stable and rigid enough already.

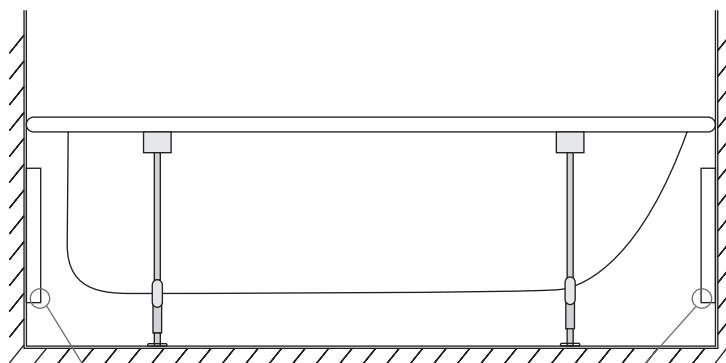
The dimensions of the softwood strips can vary according to sizes readily available and the amount of space you have under the bath. A section 19mm x 38mm should be sufficient. Make sure the softwood strips are fastened securely to the wall using at least 2 screws.

Depending on the type of installation, there are different ways of fitting your panel, as listed below:

3.1 FRONT PANEL ONLY INSTALLATIONS

If only a front panel is to be fitted, you can simply secure the softwood strips at either end of the bath (see Diagram B below). If it is necessary to trim the panel to length you must re-seal the timber as previously described in section 2

Diagram B



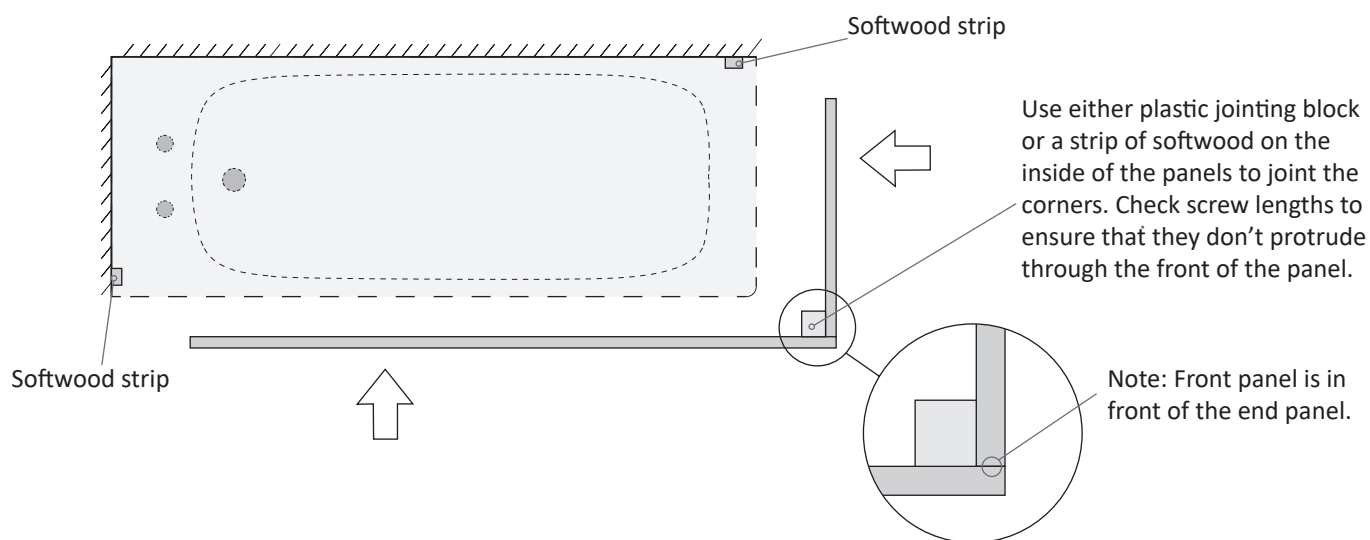
Softwood strips fixed to wall at either end of bath (see diagram E)

3.2 FRONT AND END PANEL INSTALLATIONS

When fitting a front and end panel it is recommended that the panels be joined together before fitting them to the bath. The panels can be joined using standard plastic jointing blocks or an additional softwood strip that is screwed to the back of the panels. The panels are designed so that the end panel sits behind the front panel. (see detail view)

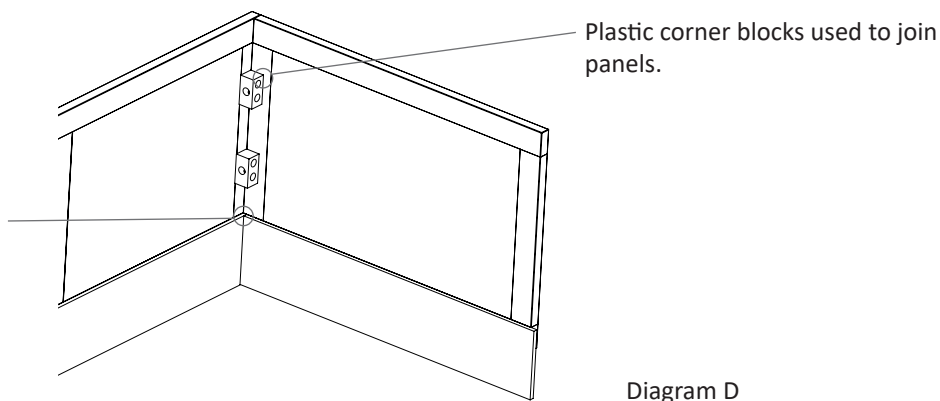
Once the front and end panels are joined together the assembly can be secured at each 'loose' end to the softwood strips attached to the walls. (see Diagram D)

Diagram C



Note: It will be necessary to shorten the front and end plinth to accommodate for the joining process.

Front and End panel plinths must be shortened to allow for thickness of the main panels.
IMPORTANT NOTE:
 To ensure the cut end of the plinth is not visible, fix the plinth so that the cut end is positioned against the wall. Ensure the panel is sealed as described above.



3.3 SOFTWOOD STRIP POSITIONING

The softwood strips need to be set back from the rim of the bath to allow for the thickness of the panel. You may also need to allow for thickness of any material that secures the panel to the softwood strips (Velcro). See Diagram D.

3.4 SECURING THE PANELS IN PLACE

We recommend using Velcro (or similar). This is secured to the softwood strip and the back edge of the panel and you simply push the panel(s) into place. The Velcro can be plain or adhesive. Plain Velcro can be tacked into position using flat-headed tacks or nails.

IMPORTANT! ALL EDGES WOODEN PANELS- INCLUDING CUT AND RE-SEALED EDGES, MUST BE SEALED TO ADJACENT SURFACES WITH A SUITABLE SEALANT - PARTICULARLY TO THE BATH LIP, TO PROTECT THE BACK EDGE OF THE PANEL FROM WATER. NOT APPLICABLE TO ISOCORE PANELS

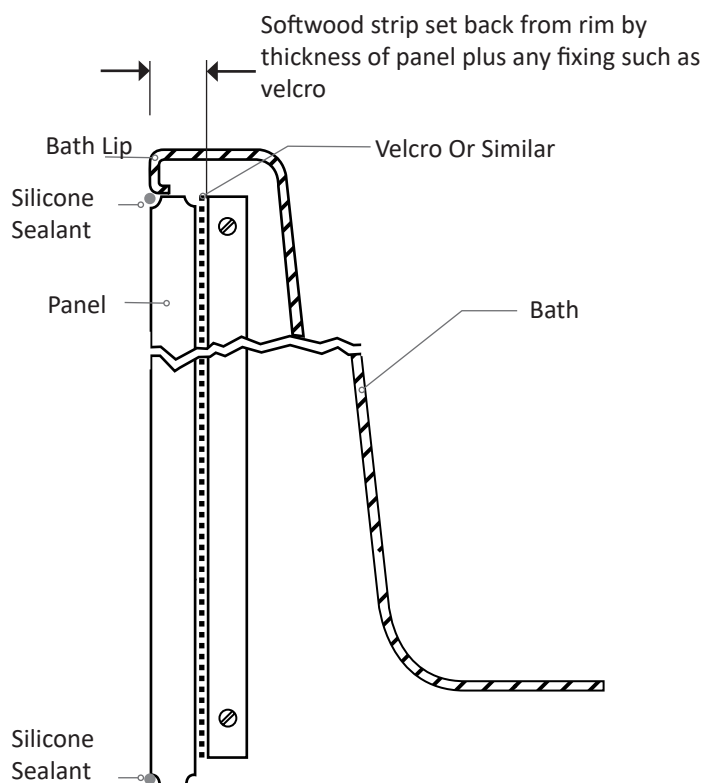


Diagram D

3.5 SOFTWOOD STRIP POSITIONING

The softwood strips need to be set back from the rim of the bath to allow for the thickness of the panel. You may also need to allow for thickness of any material that secures the panel to the softwood strips (Velcro)

If your installation has a plinth, to avoid the complication of cutting a rebate for the plinth simply stop the softwood strips 20mm above plinth height. The plinth will slot in underneath (see diagram E)

If you are using Corner Posts, you will need to set back the softwood strips even further, to allow for the thickness of the post.

Corner Posts may need to be cut to suit the individual installation. Depending upon the bath tub, Posts can sit both flush with the rim, or they can be set inside the rim as desired. If the posts have to be cut, then follow the same procedures as if you were cutting a bath panel (see above), making sure that all cut surfaces are re-sealed with a suitable varnish/sealant.

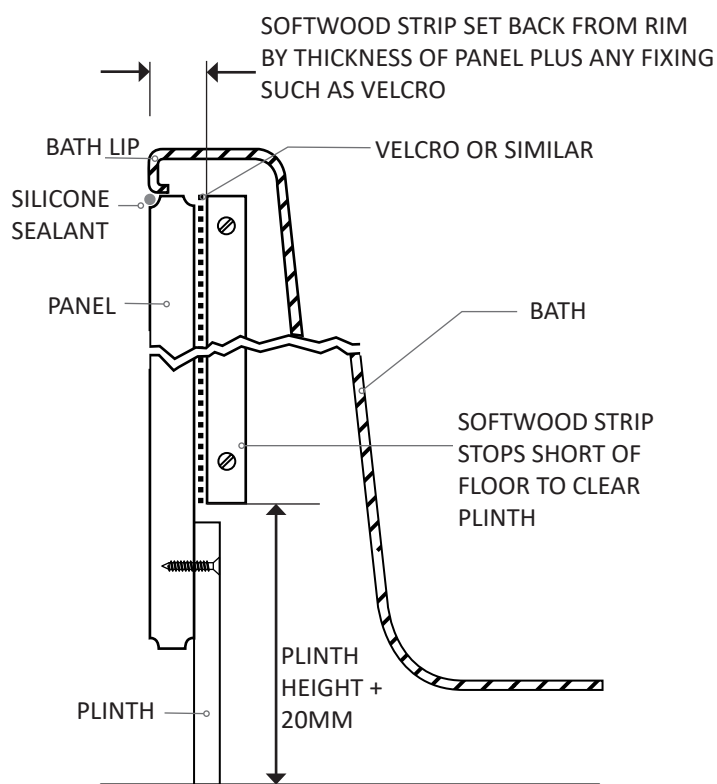


Diagram E

4. WOODEN SURFACES & PRODUCT AFTERCARE – MAKE AVAILABLE TO THE END USER

Wooden products offer a beautiful and warm finish that will compliment any bathroom. However, wood is natural and no one piece will ever be exactly the same. Whilst great care is taken to match timber components, there will be some slight variation in both grain and colour. This is a characteristic of wood that makes each product individual, and is not considered a flaw.

- To protect the fine wooden surfaces we recommend cleaning with a wax free polish and soft cloth.
- Do not scrub or scour wooden surfaces.
- Never use bleach or cleaners containing bleach. If cleaning agents must be used, ensure that they are suitable for wooden products. Test on an inconspicuous area first.
- As with all wooden furniture, this panel should be treated with care. Any furniture will deteriorate through exposure to excessive water from spillage or condensation. Mop up any water splashes after use.
- It is recommended that all bathrooms are well ventilated with a suitable extractor fan.

If the surface finish of the panel is damaged or cut because of the installation process, it is essential that all freshly exposed timber is re-sealed using a varnish. Failure to re-seal timber may result in water penetrating the panel and damaging it. Failure to re-seal will also invalidate the product warranty. Not applicable to Isocore panels.