

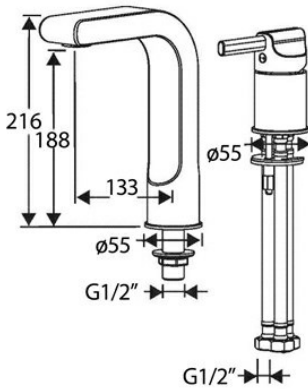
# Francis Pegler

## Panacea 2 hole bath filler

2 Hole bath filler



2 Hole bath filler



### General Information

#### Panacea 2-Hole Bath Filler

The distinct design of the Francis Pegler Panacea range is sleek and contemporary. The range features a versatile swivel spout that delivers a perfect stream of water

- Suitable for high water pressure systems - min 0.4 bar
- Quarter turn ceramic disc cartridges for easy use
- Brass backnut for secure fixing

**Size Pattern No. Pack 1 Qty Pack 2 Qty Code Barcode Price (£) each ex VAT**

### Dimensions

| Code   | Description        | Dimensions |
|--------|--------------------|------------|
| 4P2004 | 2 Hole Bath Filler | See image  |

Pegler Yorkshire reserve the right to change specifications

### Guarantee

#### 10 Year Guarantee

Luxury Taps and Mixers

#### Pegler Yorkshire Customcare 10 Year Guarantee - Terms and Conditions

Product are subject to a 10 year guarantee that is between Pegler Yorkshire and the final purchaser of the product.

The guarantee is subject to proof of purchase being supplied.

This guarantee does not affect any statutory rights the consumer may have in law.

The guarantee covers manufacturing or material defects and does not cover parts subject to normal wear and tear.

Finishes other than chrome are covered for a period of 3 years only and the guarantee on the finish is subject to the cleaning instructions being followed.

The guarantee is not applicable where the product is fitted contrary to the conditions in the fitting instructions.

Abusive behaviour and accidental damage to the product are not covered by this guarantee.

The extent of this liability is limited to the cost of the replacement of the defective item and not to fitting or consequential damages.

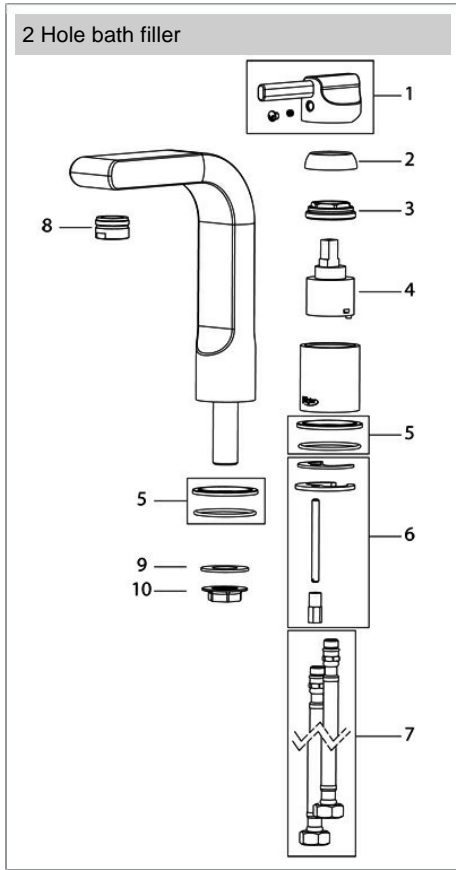
### Care and Maintenance

#### Care

To maintain the surface finish, simply wipe occasionally with a mild detergent on a soft damp cloth. Dry, using a soft cloth. Never use abrasive cleaners or chemical household cleaners and avoid contact with concentrated bleach.

#### Maintenance

No regular maintenance is required for this product.  
 In case of complete replacement Pegler recommend service valves should be fitted to the supply inlets.  
 For any further help or replacement parts please contact the Service Support Team on 0800 1560050.



| Spare Key | Description                     | Code   | Barcode       | Date From  | Date To    | Price (£) ex VAT |
|-----------|---------------------------------|--------|---------------|------------|------------|------------------|
| <b>1</b>  |                                 |        |               |            |            |                  |
| 1         | HD173 Handle with Indice        | 854821 | 5022050352361 | 01/01/1900 | To Current | £0.00            |
| <b>2</b>  |                                 |        |               |            |            |                  |
| 2         | HKS40 Headwork Shroud           | 854790 | 5022050350589 | 01/01/1900 | 06/09/2018 | £0.00            |
| <b>3</b>  |                                 |        |               |            |            |                  |
| 3         | H13 Head                        | 854792 | 5022050350794 | 01/01/1900 | 06/09/2018 | £0.00            |
| <b>4</b>  |                                 |        |               |            |            |                  |
| 4         | HK101 Headwork Cartridge        | 854518 | 5022050247018 | 01/01/1900 | To Current | £0.00            |
| <b>5</b>  |                                 |        |               |            |            |                  |
| 5         | FL37CP Flange                   | 854568 | 5022050328694 | 01/01/1900 | 06/09/2018 | £0.00            |
| <b>6</b>  |                                 |        |               |            |            |                  |
| 6         | FP59 Fixing Pack                | 854618 | 5022050328816 | 01/01/1900 | 06/09/2018 | £0.00            |
| <b>7</b>  |                                 |        |               |            |            |                  |
| 7         | HO13 Flexible Hose Pair         | 854571 | 5022050328922 | 01/01/1900 | 06/09/2018 | £0.00            |
| <b>8</b>  |                                 |        |               |            |            |                  |
| 8         | OA4 Bath Outlet                 | 854502 | 5022050225085 | 01/01/1900 | 06/09/2018 | £0.00            |
| <b>9</b>  |                                 |        |               |            |            |                  |
| 9         | ARW2 1/2 ANTI ROTATIONAL WASHER | 814162 | 5013866056758 | 01/01/1900 | To Current | £0.00            |
| <b>10</b> |                                 |        |               |            |            |                  |
| 10        | 1/2 BN 915L BACKNUT             | 817074 | 5013866023385 | 01/01/1900 | 06/09/2018 | £0.00            |