

INSPIRE BATHSCREENS

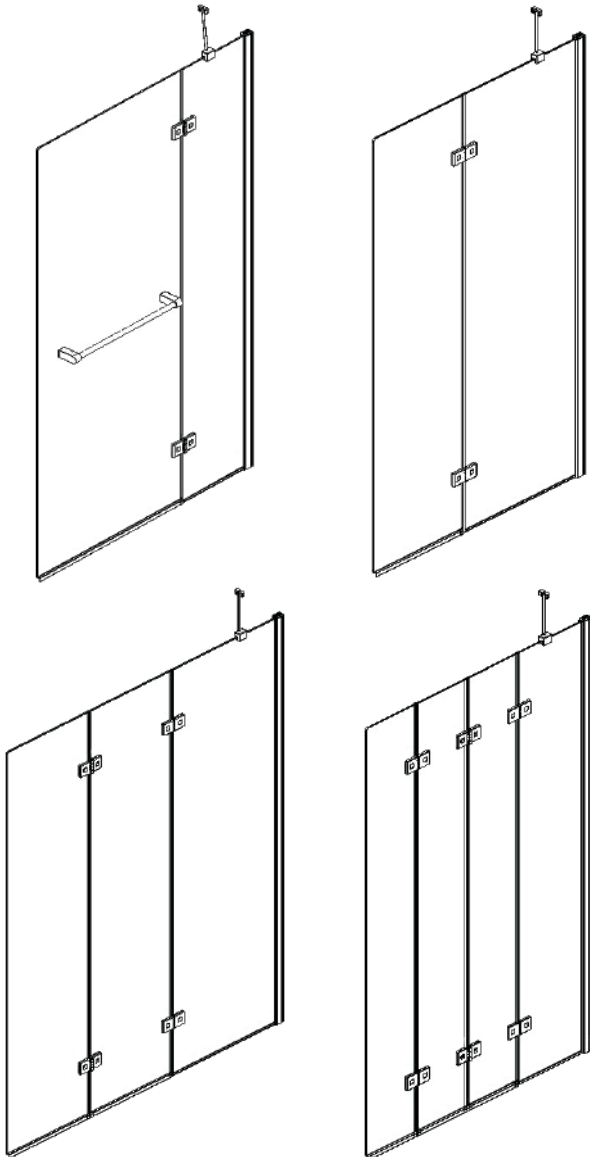
MULTI-PANEL

Installation Instructions

Please read these instructions throughout before installing as incorrect fitting will invalidate the guarantee.
If you are unsure about these instructions please contact your supplier.

HEALTH & SAFETY WARNING

DUE TO THE WEIGHT & SIZE OF THE GLASS PANEL(S) A MINIMUM OF TWO PERSONS ARE REQUIRED TO MOVE AND INSTALL THIS ENCLOSURE



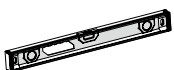
Tools Required



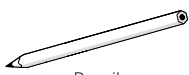
Pozi-head Screwdriver



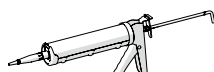
7mm Masonry Drill Bit



Spirit Level



Pencil



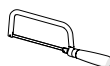
Clear Silicone Sealant



Drill (Battery or Mains)



Tape Measure



Pencil

Cleaning - General

For the wall post and fixings use only warm soapy water and damp cloth/ sponge on a regular basis. After cleaning please rinse with clean water to remove any residue.

Do not use abrasive scouring powders, chemicals or aerosol cleaners - these may result in damage to the surfaces, in particular, the plated component parts.

Glass Treatment

The glass panels are pre-treated with a protective coating on the inside surfaces only. Whilst this makes cleaning the glass easier and helps prevent the build up of harmful lime-scale and soap deposits, the glass still needs to be maintained on a regular basis. We recommend the use of a detergent and aroma free glass cleaner (A 50/50 mix of white vinegar and water works well)

DO NOT use strong detergents, abrasive cleaners or abrasive scrubbing equipment for cleaning, these can damage the coating.

DO use a squeegee to remove remaining droplets of water from glass after showering, any build up of residue can be removed easily using an appropriate cleaner and agitation from soft cleaning equipment

Important

Check appearance of all product - any defects must be reported to your retailer before assembly/installation. Claims for imperfections will only be accepted prior to assembly/installation.

Any claims made under the terms of the Lifetime Guarantee must be reported to your retailer within 21 days of the fault occurring

Check the enclosure adjustment sizes are suitable for your installation.

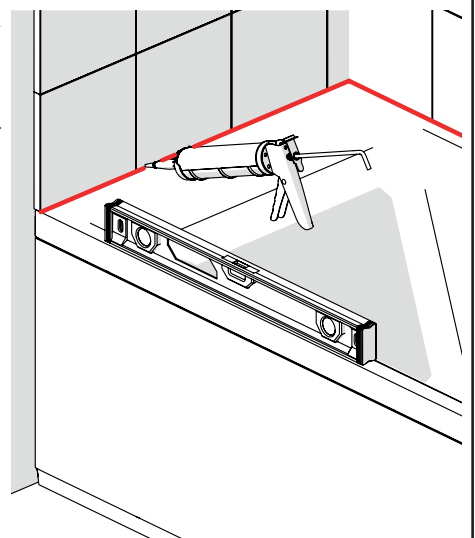
Use care when drilling into the walls to avoid hidden pipes or electric cables.

Check Bath Installation

Bathrim MUST BE LEVEL in all directions.

Bathscreen must be fitted to waterproof surface e.g. tiles/shower panels.

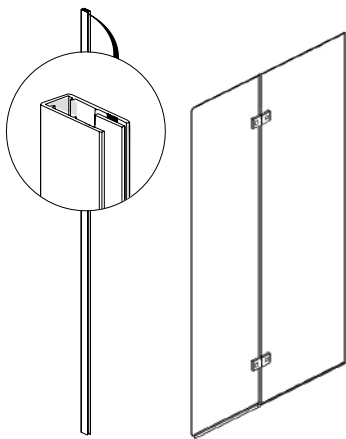
Once the walls have been tiled and before the screen is installed, the tiles MUST be silicone sealed to the bath all of the way around in one continuous bead, as shown. **Failure to follow this instruction will result in leakage problems behind the screen wallpost.**



THESE INSTRUCTIONS ARE TO BE LEFT WITH THE CONSUMER

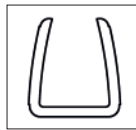
Parts List

Multi Panel Bath screen Pack



1 x Wallpost
PD400 (8mm)
PD198 (6mm)

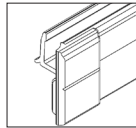
1 x Multipanel
glass assembly



Fixed panel seal
(fitted at factory)
PLEXRF-048 (6mm)
PLEXRF-049 (8mm)



Push in seal
PLEXR-39-02



bottom seal(s) for other panels

4BASC various 6mm:
PLEX-ASM-RF33-01-(R)

4BASC various 8mm:
PLEX-ASM-RF35-01-(R)

4BASCDUO: PLEX-ASM-RF33-02-(R)
4BASCDUO8: PLEX-ASM-RF35-02-(R)
4BASCTRIPLE: PLEX-ASM-RF33-03-(R)
& PLEX-ASM-RF33-07-(R)

4BASCOMP:
PLEX-ASM-RF33-04-(R)
PLEX-ASM-RF33-05-(R)
PLEX-ASM-RF33-06-(R)



1 x End cap
M502-01 (8mm)
M269-01 (6mm)



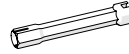
8 x No.8x30
PH S/S Screws



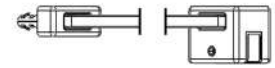
4 x 6mm
Wall Plugs



1 x M193-01
Shim



1 x Wizard Tool
M254-01



1 x Stabiliser bracket



PLEXRF-015 (6mm)
PLEXRF-019 (8mm)



1 x 3mm Allen
Key



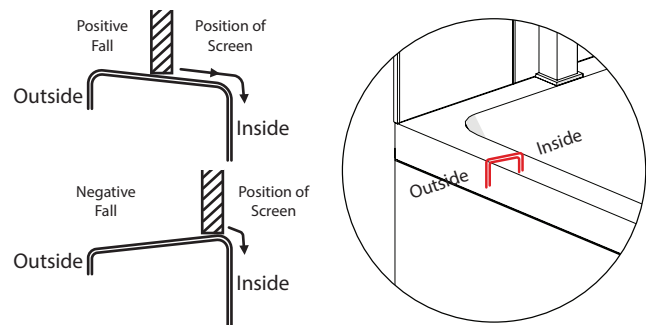
1 x No.6x30 PH
S/S Screws

Installation Steps

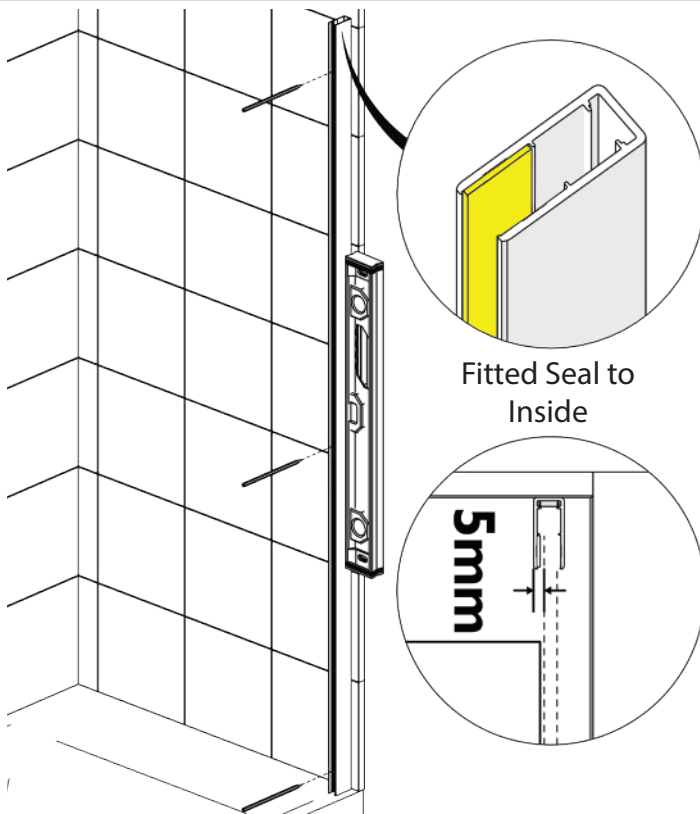
To ensure correct drainage of shower water into the bath you should check the shape of your bath rim prior to fitting your bath screen.

Most bath rims will be higher on the outside edge than the inside edge, commonly referred to as having a "positive fall" however some bath edges may have a "negative fall" with the inner edge being higher than the outer edge.

If your bath has a "positive fall" the screen can be fitted close to the centre of the bath rim, however if the rim has "negative fall" then the screen must be fitted to the inner edge of the bath. If uncertain the screen should be fitted to the inner edge of the bath. If not correctly positioned water may track along the edge of the bath and spill onto the floor at the end of the screen.



Step 1 - Install Wallpost



1. Position wallpost onto Bath so that when the screen is fitted, the glass panel is on the **inside edge** of the bath rim. Take into account that the glass panel inside surface will be 5mm from the inside surface of the wallpost, as shown.

2. Ensure wallpost is vertical using spirit level. Using pencil, mark position onto bath and through 3 x slots on wall, as shown.

It is particularly important to position the bathscreen on the inside edge for the following reasons:

- To assist in water drainage off the screen and into the bath.
- For Baths where the inside edge of the rim is higher than that of the outside edge. (We are unable to guarantee the screen will not leak on Baths with a rim of this type).

3. Remove the wallposts. Placing safely off to one-side.

4. Using a 6mm masonry drill bit and drill (or appropriate drill bit if drilling tiles), drill the 3 holes using the 'spot' marks, each hole should be 45mm in depth.

5. Insert the three '6mm Wall Plugs' into the three holes.

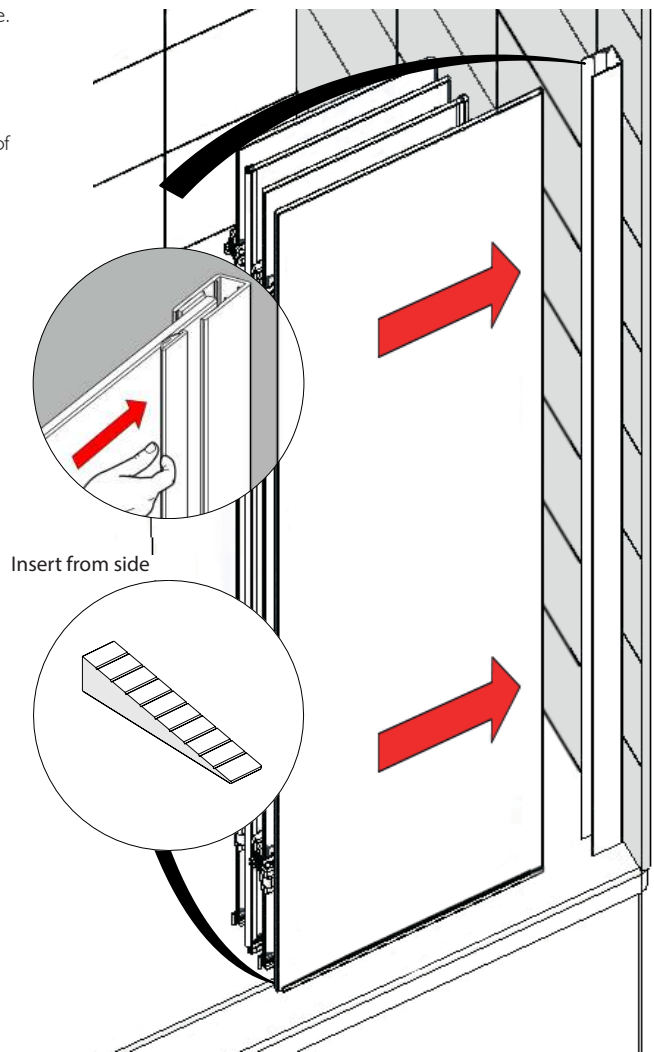
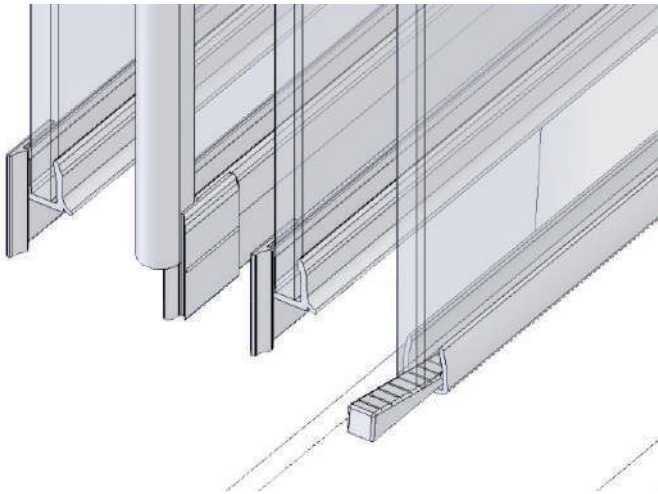
6. Fix wallposts using 3 x No.8x30 PH S/S Screws provided. Tighten all screws using pozi-head screwdriver, ensuring the wallpost is vertical.

Apply a bead of silicone sealant around the bottom & centre holes made in wall before fixing wallpost to wall.

Fold in Screens - check at this stage that the screen, when fitted, will clear the tap fittings when folding back

Step 2 - Insert Screen Into Wall Post

1. Carefully fit glass panel into slot in wall post, ensuring panel is parallel to tray edge. Ensure outer edge of in-line panel is plumb vertical, using spirit level.
2. Insert the push in seal to the outside of the enclosure, between the side glass panel and lip of the metal on post, ensuring the curved surface is contacting the glass. Start at the top and work downward, at this point only insert the seal a third of the way down to allow for adjustment.
3. Often Baths have different angled top faces, in order to help keep the glass supported and level use the 'Shim (M193-01)' supplied. Insert the shim in between the bottom of the glass and the bottom seal, insert it so that the glass is plumb. Once the glass is plumb, cut the shim to the appropriate size and leave it inserted.
4. Once the panel is plumb and situated correctly, push the push in seal the rest of the way.



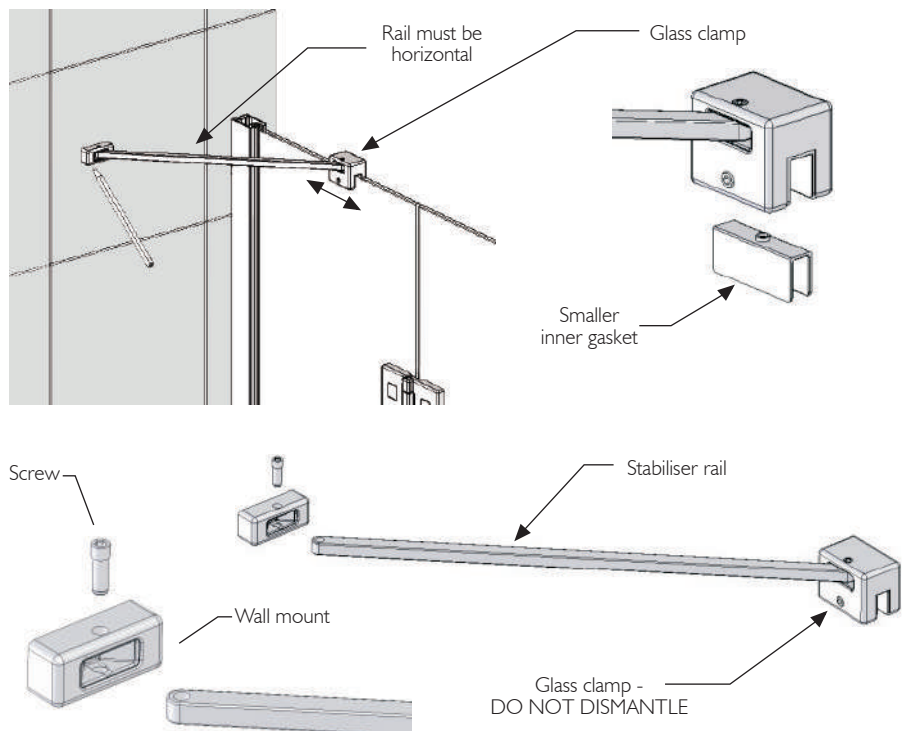
Step 3 - Position stabiliser bracket

1. Fit glass clamp of stabiliser bracket to top edge of first glass panel and position along panel so that the wall mount sits flush with the wall surface. For 8mm glass remove smaller inner gasket from glass clamp.
2. Ensuring stabiliser bar is horizontal, mark around the perimeter of wall mount onto wall.
3. Using the 3mm Allen key supplied, remove screw from top of wall mount and separate wall mount from stabiliser bar.

8mm GLASS

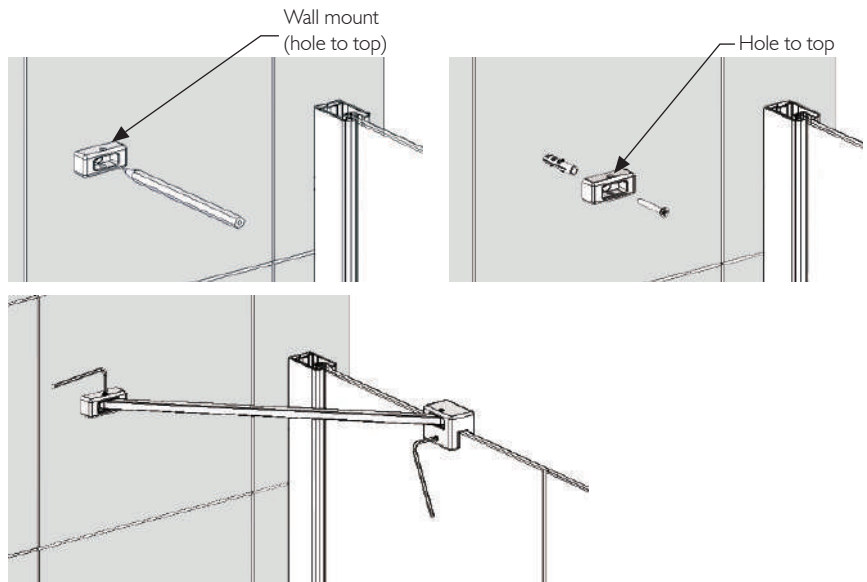
Remove smaller inner gasket only when fitting clamp to 8mm thick glass panel

Ensure glass panel remains parallel to outside edge of bath when positioning stabiliser rail



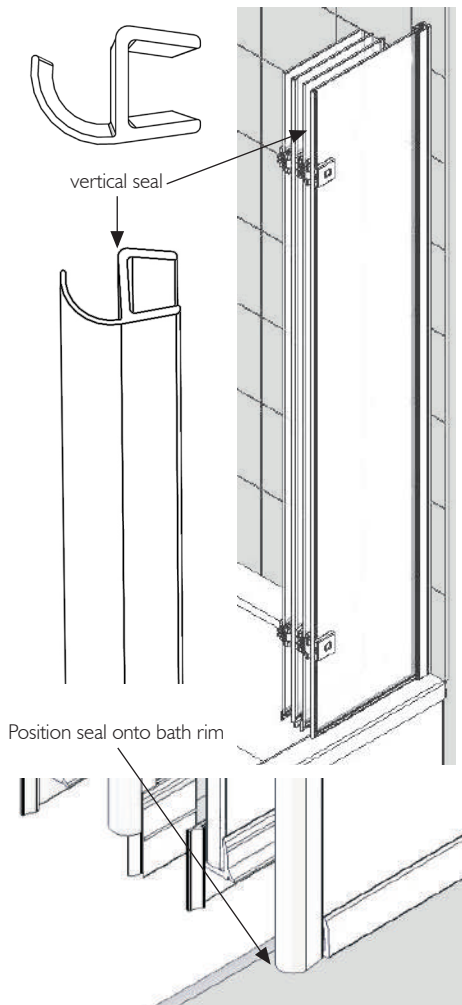
Step 4 - Install Wall Mount

1. Re-position wall mount to marks on wall and mark through the hole in centre of mount on the wall.
2. Using 6mm drill bit, drill hole in wall and fit rawlplug supplied. Fix wall mount into position using the no.6x30mm long countersunk screw supplied.
3. Re-fit glass clamp to glass panel and screw the stabiliser bar to wall mount.
4. Using 3mm allen key, tighten screws to glass clamp, once fit ensure all screws are tight.



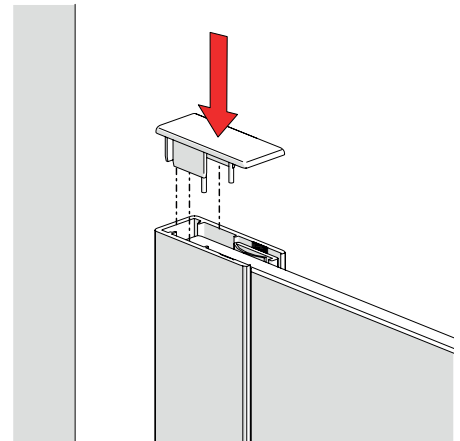
Step 5 - Fit Vertical Seal

1. Fit vertical seal to edge of first glass panel, this simply pushes on, ensuring bottom of seal is touching the bath rim.
 2. If necessary, mark, remove and cut seal at top to align with glass panel, remove any burrs and re-fit.
- For cutting the seal, use a junior hacksaw for rigid part and craft knife for flexible part.



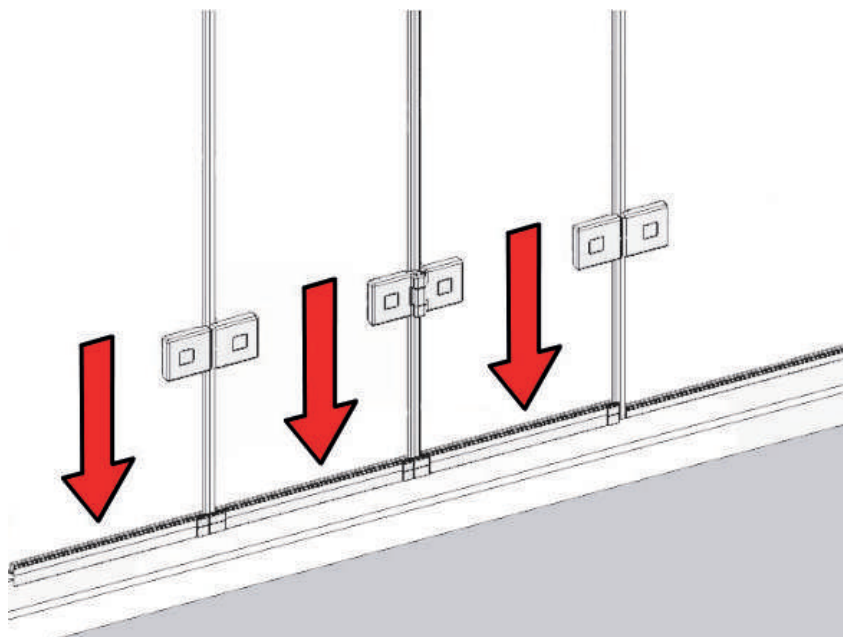
Step 6 - Fit Cover Cap

1. Add the End Cap M269-03 (for 6mm glass) or M502-01 (for 8mm glass) to the Wallpost as shown below.



Step 7 - Adjusting Bottom Seals (if necessary)

1. The bottom seals can, if necessary, be pushed down toward the bath rim to reduce any gap. (Max. 5mm adjustment for each bottom seal)

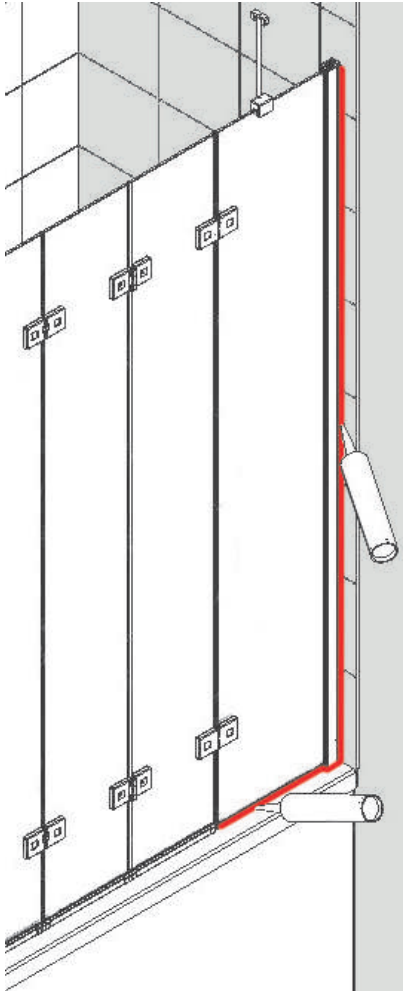


Step 8 - Silicone Seal

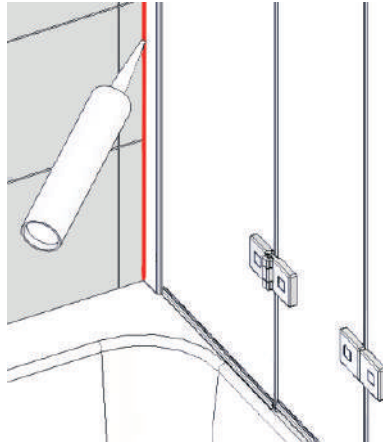
1. On the **Outside** seal wallpost to wall through entire height. At the bottom of the wallpost seal as shown in red in the detail below. Silicone glass panel. Seal previously installed in step 7 will need to be pulled away to allow to silicone. **DO NOT** put the seal back once you've allowed the silicone seal to set (see step 11). Make sure you don't get any silicone on the area highlighted blue as this will affect the hinging/performance of the panel.

2. On the **Inside** seal wallpost to wall through entire height only.

IMPORTANT: Remove clear protective film from bottom trim of first glass panel, on inside and outside **BEFORE** applying silicone sealant



IMPORTANT: REMOVE clear protective film from bottom trim on inside and outside **BEFORE** applying silicone.



DO NOT SEAL on inside to bottom of wallpost or to bottom of first glass panel where these meet the bath.



Silicone seal rigid part of first vertical seal (fitted at step 5) to bath.

Wait 24 hours



Once Siliconed Allow 24 hours before using the shower.

Screen in use

For In-Fold screens only - please ensure that you un-fold screens from inside the bath position up to the bath rim before use. This will help limit any undue pressure on the bottom seals as they are not passing over the 'higher' outer edge of the bath rim.

When installed correctly, Kudos guarantee the screen will not leak under normal showering use, ie. when the shower head is in its normal showering position.

NB - Using the shower head to clean/rinse down the screen does not constitute normal showering use.

Fitting handle (if applicable)

