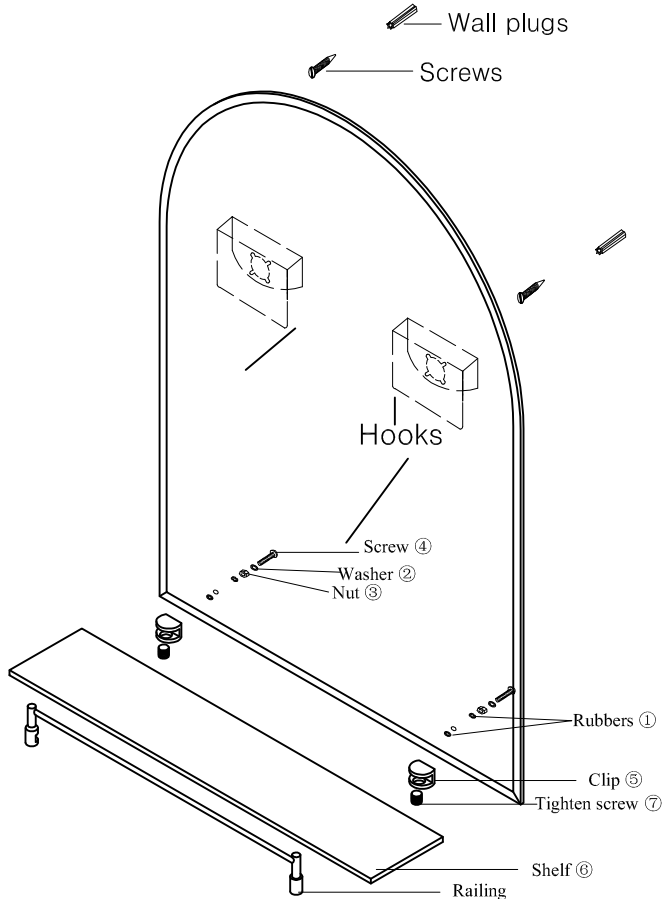


40.0019(700*500MM) INSTALLATION

INSTALLATION GUIDE:



1. Please fix the shelves with manual screwdriver but not electric screwdriver.
2. Shelf ⑥ installation
 - A. Attach rubbers ① to the shelf hole on mirror face and back as per the diagram. Screw the washer ② and nut ③ into the screw ④. Then screw the screw ④ into the clip ⑤ from the back of the mirror. Tighten the clip with a screwdriver.
 - B. Position another clip ⑤ at the same level in the same way. Put the shelf ⑥ into the clips ⑤ and tighten screw ⑦ with a flat blade screwdriver. Fix the shelf.
3. Install the railing.
4. Position the mirror at the hanging point and mark the drilling holes; Ensure the two holes are on the same level. Drill the holes, then place the wall plugs into the wall, screw the screws into the wall until they are 2–3 mm from flush, hang the mirror on the wall.