

ROPER RHODES®

Technical Data Sheet

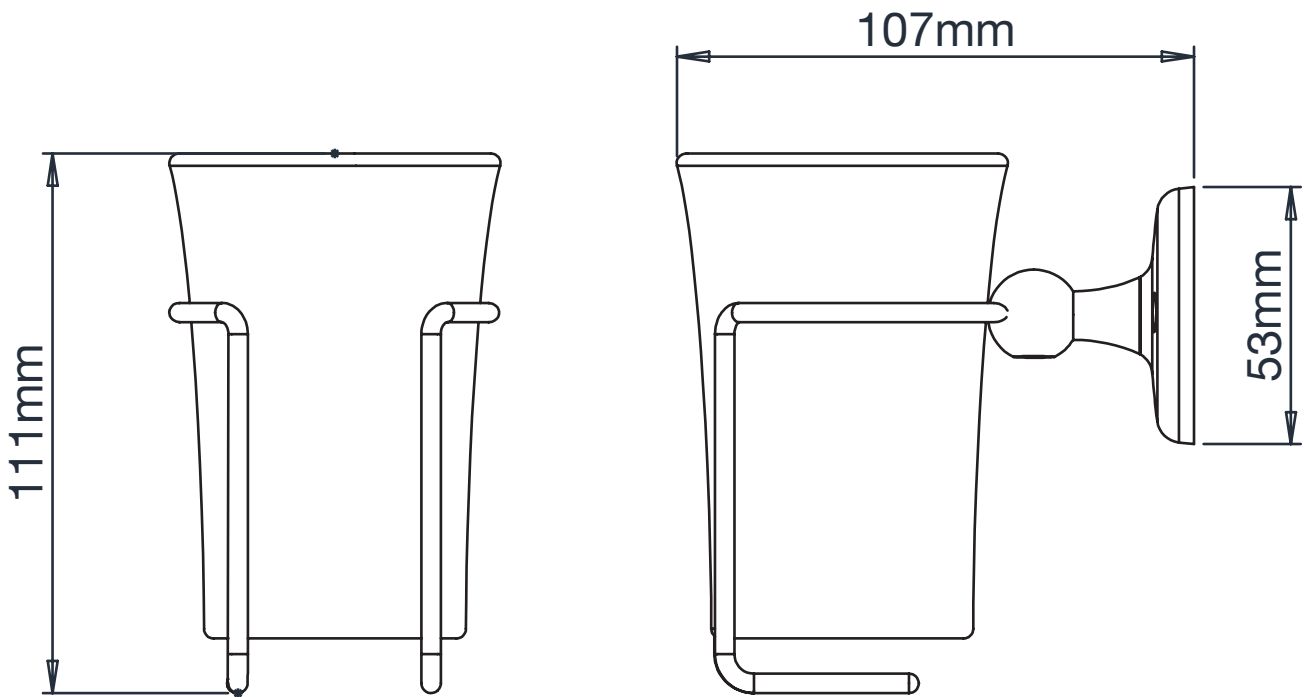
Avening Ceramic Tumbler & Holder

4916.02 (Chrome) 4916.04 (Brass)



Dimensions

Diagrams not to scale. All dimensions in mm (tolerance of +/-5mm)



FAQs

What are the fixing point centres? 35mm

What are the materials used? Brass (Chrome plated or PVD)

Has the product been weight tested? The product has been weight tested to 10kg