

Francis Pegler

Panacea 4 hole bath shower mixer

4 Hole bath shower mixer



General Information

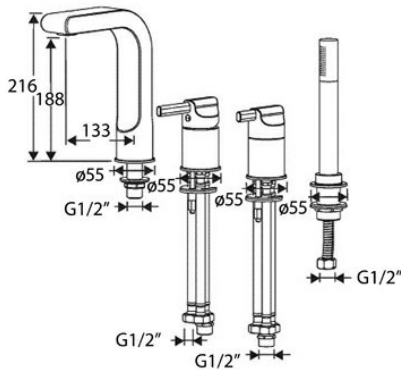
Panacea 4-Hole Bath Shower Mixer with Shower Kit

The distinct design of the Francis Pegler Panacea range is sleek and contemporary. The range features a versatile swivel spout that delivers a perfect stream of water

- Suitable for high water pressure systems - min 0.4 bar
- Quarter turn ceramic disc cartridges for easy use
- Brass backnut for secure fixing

Size Pattern No. Pack 1 Qty Pack 2 Qty Code Barcode Price (£) each ex VAT

4 Hole bath shower mixer



Dimensions

Code	Description	Dimensions
4P2005	4 Hole Bath Shower Mixer	See image

Pegler Yorkshire reserve the right to change specifications

Guarantee

10 Year Guarantee

Luxury Taps and Mixers

Pegler Yorkshire Customcare 10 Year Guarantee - Terms and Conditions

Product are subject to a 10 year guarantee that is between Pegler Yorkshire and the final purchaser of the product.

The guarantee is subject to proof of purchase being supplied.

This guarantee does not affect any statutory rights the consumer may have in law.

The guarantee covers manufacturing or material defects and does not cover parts subject to normal wear and tear.

Finishes other than chrome are covered for a period of 3 years only and the guarantee on the finish is subject to the cleaning instructions being followed.

The guarantee is not applicable where the product is fitted contrary to the conditions in the fitting instructions.

Abusive behaviour and accidental damage to the product are not covered by this guarantee.

The extent of this liability is limited to the cost of the replacement of the defective item and not to fitting or consequential damages.

Care and Maintenance

Care

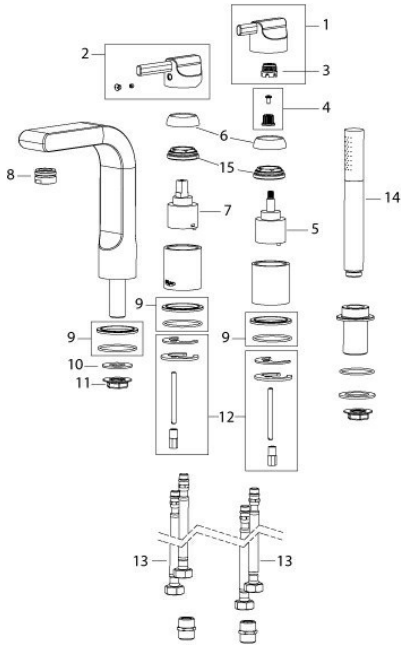
To maintain the surface finish, simply wipe occasionally with a mild detergent on a soft damp cloth. Dry, using a soft cloth. Never use abrasive cleaners or chemical household cleaners and avoid contact with concentrated bleach.

Maintenance

No regular maintenance is required for this product.

In case of complete replacement Pegler recommend service valves should be fitted to the supply inlets.
For any further help or replacement parts please contact the Service Support Team on 0800 1560050.

4 Hole bath shower mixer



Spare Key	Description	Code	Barcode	Date From	Date To	Price (£) ex VAT
1						
1	HD174 Handle	854826	5022050352637	01/01/1900	06/09/2018	£0.00
2						
2	HD173 Handle with Indice	854821	5022050352361	01/01/1900	To Current	£0.00
3						
3	INS3 Handle Insert Pair	854307	5022050307491	01/01/1900	To Current	£0.00
4						
4	HFK2 HANDLE FIXING KIT	812422	5013866066740	01/01/1900	To Current	£0.00
5						
5	HK116 Diverter Cartridge	854827	5022050352651	01/01/1900	06/09/2018	£0.00
6						
6	HKS40 Headwork Shroud	854790	5022050350589	01/01/1900	06/09/2018	£0.00
7						
7	HK101 Headwork Cartridge	854518	5022050247018	01/01/1900	To Current	£0.00
8						
8	OA4 Bath Outlet	854502	5022050225085	01/01/1900	06/09/2018	£0.00
9						
9	FL37CP Flange	854568	5022050328694	01/01/1900	06/09/2018	£0.00
10						
10	ARW2 1/2 ANTI ROTATIONAL WASHER	814162	5013866056758	01/01/1900	To Current	£0.00
11						
11	1/2 BN 915L BACKNUT	817074	5013866023385	01/01/1900	06/09/2018	£0.00
12						
12	FP59 Fixing Pack	854618	5022050328816	01/01/1900	06/09/2018	£0.00
13						
13	HO13 Flexible Hose Pair	854571	5022050328922	01/01/1900	06/09/2018	£0.00
14						
14	HS33 Handspray	854643	5022050334909	01/01/1900	To Current	£0.00
15						
15	H13 Head	854792	5022050350794	01/01/1900	06/09/2018	£0.00
16 not shown						

Spare Key	Description	Code	Barcode	Date From	Date To	Price (£) ex VAT
16 not shown	HO15 Hose	854640	5022050334824	01/01/1900	To Current	£0.00

Pegler Yorkshire Group Ltd, St Catherine's Ave, Doncaster, S Yorkshire, DN4 8DF
Telephone: Phone +44 (0) 844 243 4400 Fax: +44 (0) 844 243 9870 Website: www.pegler-yorkshire.co.uk
Registered office : Pegler Yorkshire Group Ltd, St Catherine's Ave, Doncaster, S Yorkshire, DN4 8DF Company no : 00401507