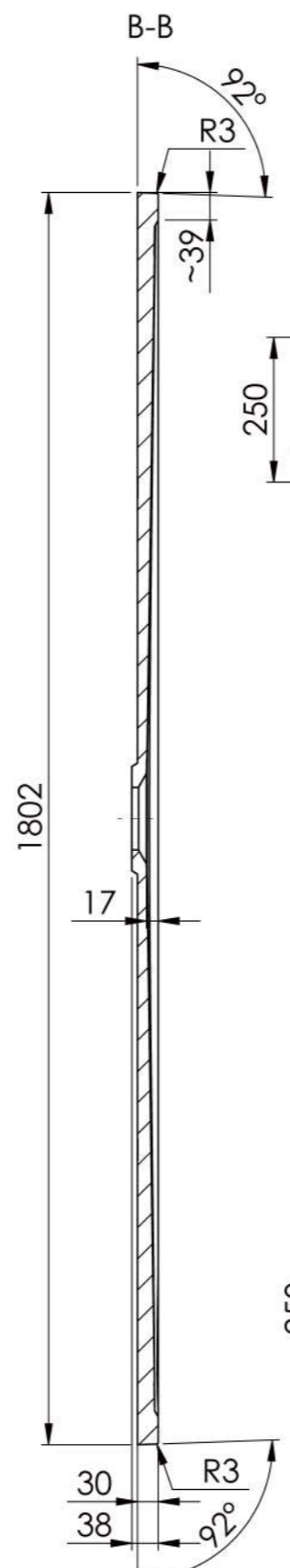
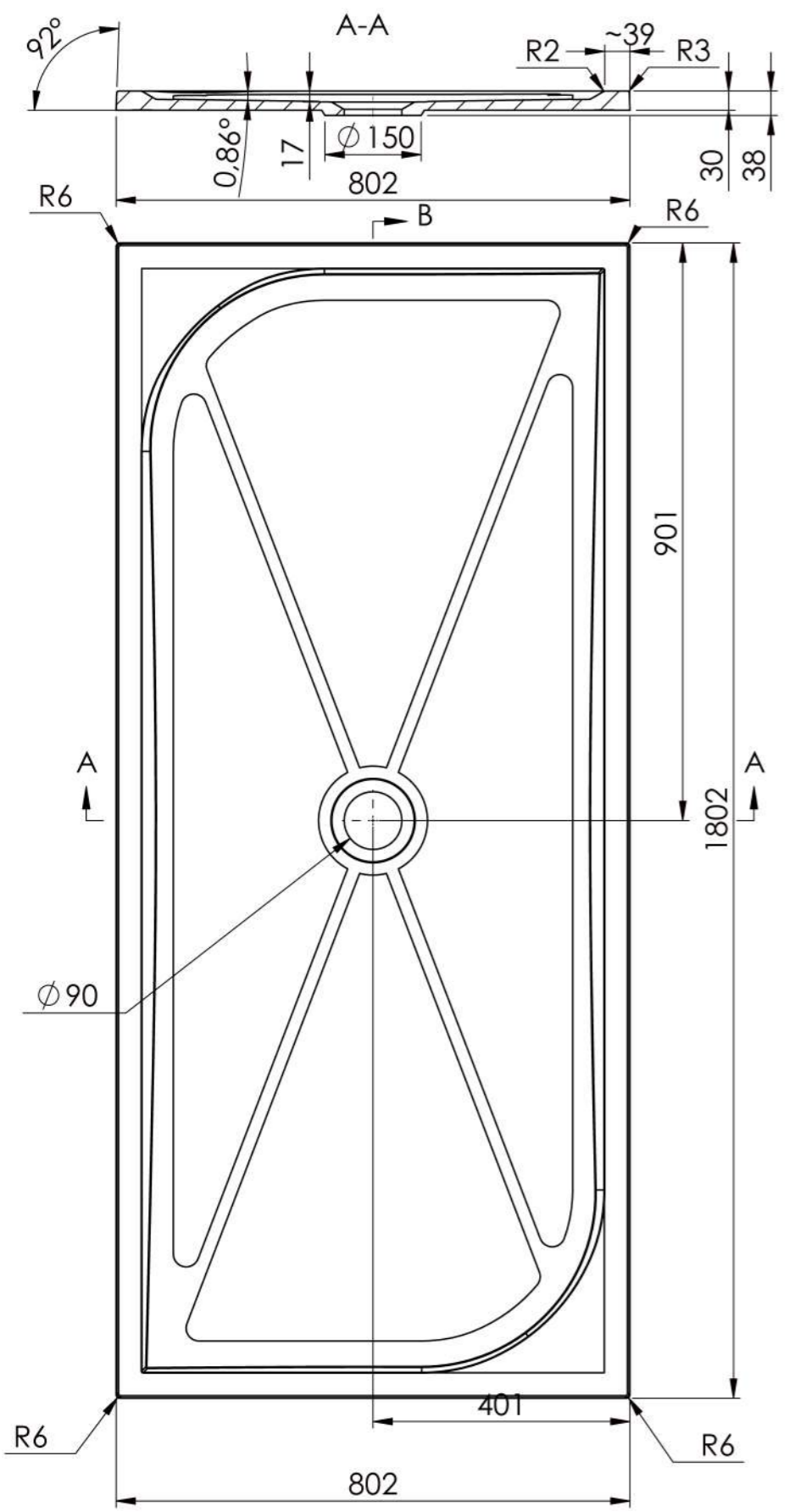
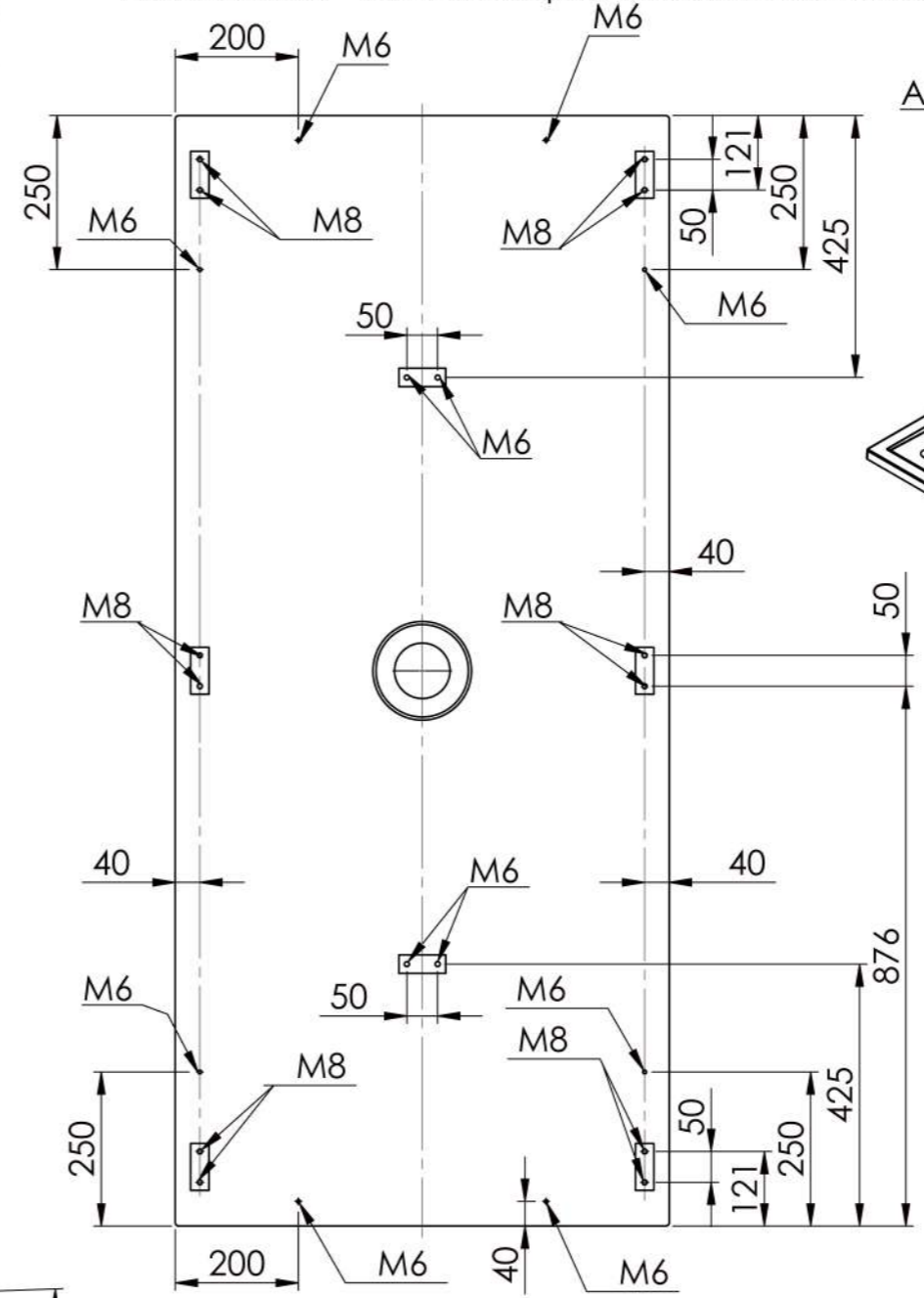


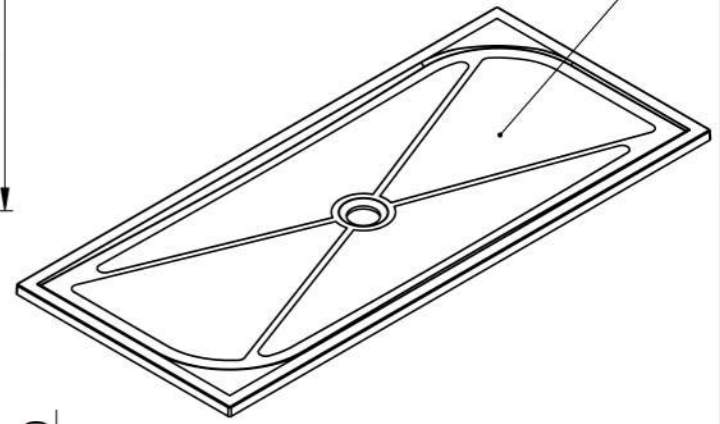
Rev	Design Change Note	Author	Date
A	Internal validation	KW	2015-12-14
001	First issue -proposal	KW	2015-12-14



Bottom view - feet and front position/
Widok z dołu - rozstaw stópek i mocowanie frontu



Antislip/Powierzchnia antypoślizgowa



Notes/Uwagi:
1. M8, M6 steel bearings/M8, M6 kotki stalowe

Tolerance length/width	+5/0 mm
Tolerance height	+2/-1 mm
Tolerance plane bending	<1200 mm +2/-2 mm ≥1200 mm +3/-3 mm
Tolerance thickness	+2/-1 mm
Tolerance feet location	+7/-7 mm
Tolerance holes location	+2/-2 mm
Tolerance holes diameter	+1/-1 mm



Eastbrook Road, Gloucester GL4 3DB
Technical Helpline: 01452 317890
email: technical@eastbrookco.com