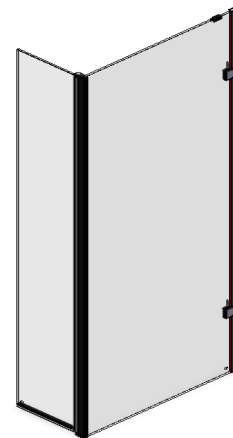
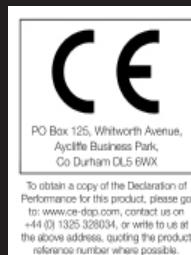


Pivoting Deflector

Instruction Manual

KLCPM



IMPORTANT INFORMATION

Be aware toughened glass can shatter if not handled correctly. It should not be subjected to any sharp impact and it is essential to protect the glass by resting it on a soft protective surface during installation such as cardboard or carpeting. It is recommended to wear PPE at all times during installation.



PRE-INSTALLATION CHECKS

1. Check you have the correct product. Please look at the labels on the side of the product packaging.
2. Check all the product components are in the box and the fixing kits.
3. Unpack your product and handle it with care.
4. Please check the product for defects or damage, once the installation has commenced we cannot accept responsibility for any defects or damage.
5. Please take time to read these instructions prior to installing your product.
6. Before you commence any drilling check there are no hidden electrical cables and/or water pipes.
7. No attempt should be made to re-work the toughened safety glass.
8. The installation of the product should be performed by two persons.
9. It is strongly recommended that the walls the product is going to be installed on are vertical.
10. It is strongly recommended the product is fitted on a tiled surface or similar waterproof surface.
11. It is strongly recommended the walls are tiled and grouted before the product is installed.
12. If the walls and/or the tray are not level you will not achieve maximum adjustment of the product.
13. Pictures used are for illustration purposes only, product designs may alter slightly as a result of continuing product development.
14. We do not stipulate where the European Standard Kite Mark should be positioned on the glass when being factory assembled.
15. Please note that some natural misting may occur when you remove this product from its packaging, due to the addition of the glass protection pre-coating. If this does occur this can easily be removed with a soft, dry cloth.
16. If you have purchased a product with a printed face, please ensure the printed face is fitted to the outside.

Component Check List: Supplied

Description	Quantity
Panel Assembly	1
Vertical Rail Assembly	1
Bottom Seal	1

Equipment Check List: Not Supplied

Description
Sealant Gun
Bathroom Sealant
Tape Measure
Pencil
Low Tack Tape / Masking Tape

Fixing Kit Components

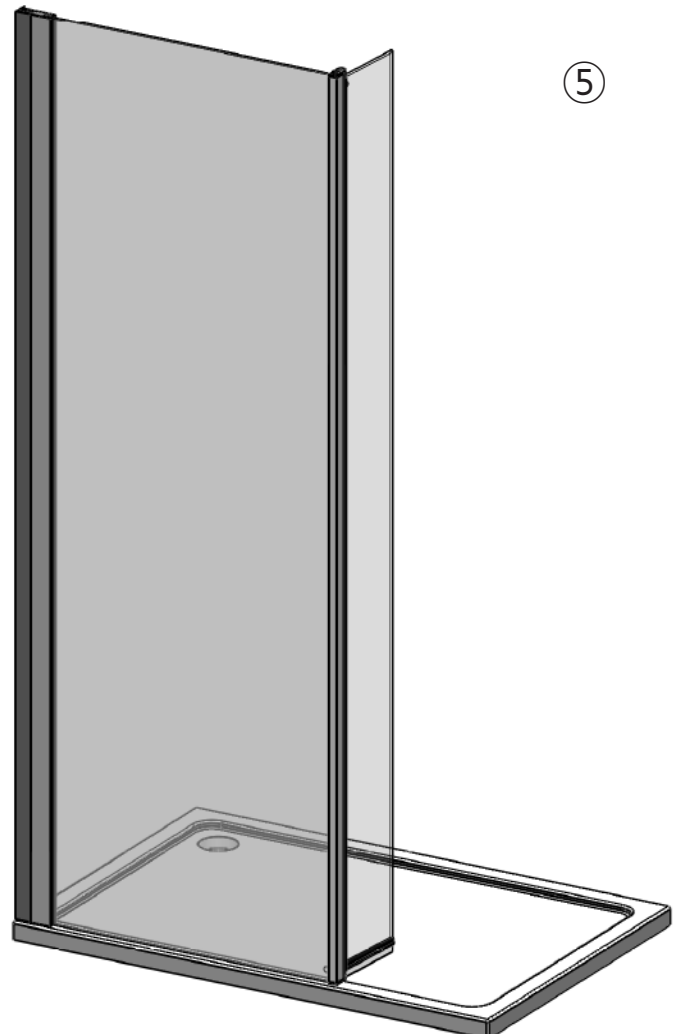
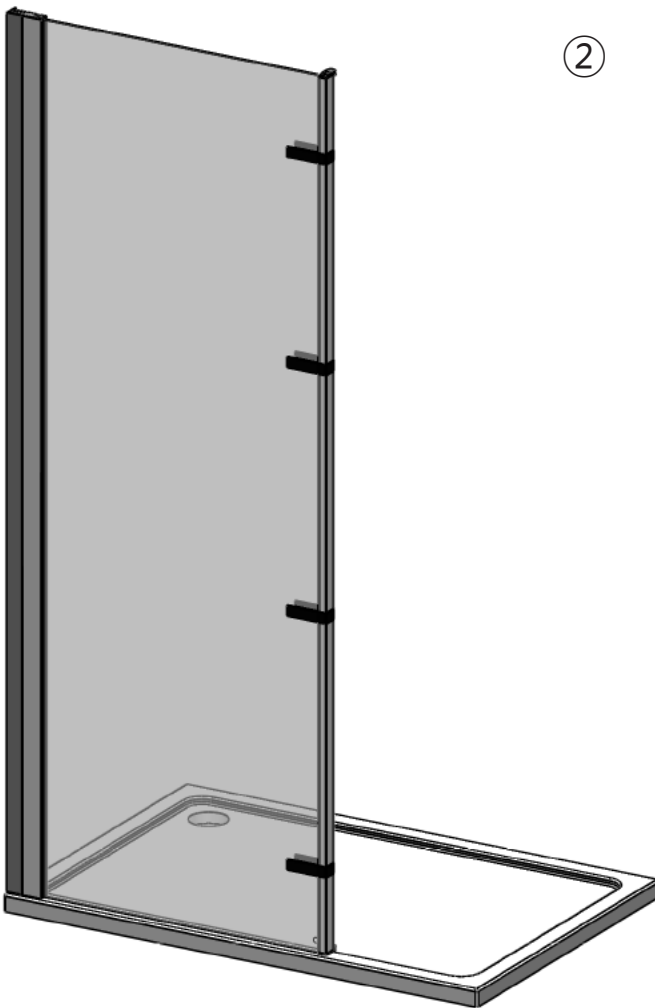
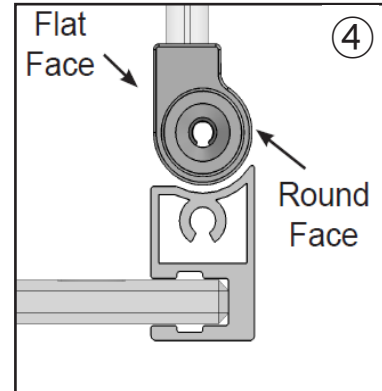
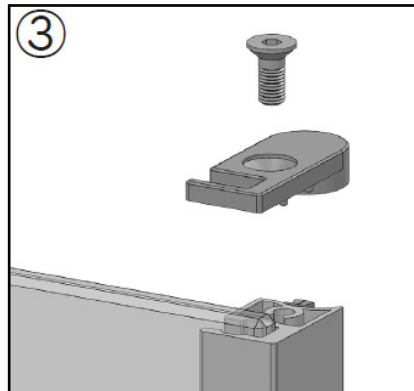
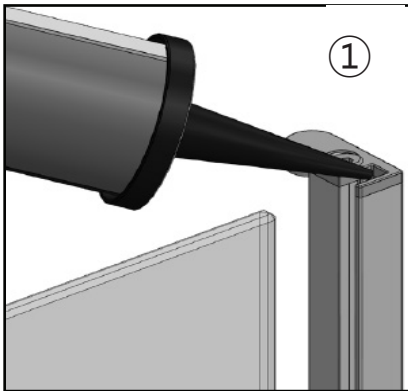
Description	Quantity

CONSUMER GUARANTEE

Please make sure the purchaser/end user completes and returns the guarantee card which is enclosed with this product. Failure to validate the Guarantee will mean only the 1 Year Statutory Guarantee will apply.

Step 1 - Fitting the Panel

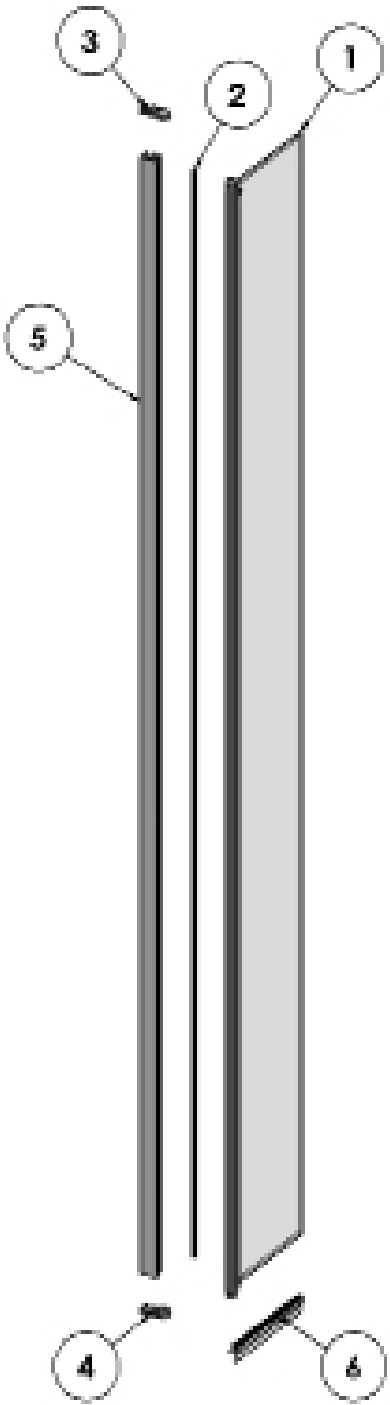
IMPORTANT: Please ensure the Pivoting Panel is fitted the correct way round, see stage 4 below.



1. Run a bead of silicone down the full length of the aluminium on the inside face in the sealing groove.
2. Lift the aluminium onto the tray and then push sealing groove onto the panel. Use tape to secure the aluminium into place and leave the tape in position for 24 hours.
3. Once the silicone has had 24 hours to cure remove the tape and unscrew the top panel moulding from the aluminium.
4. Ensure that the Pivoting Panel is the correct way before fitting, the "P" shaped extrusion should be positioned so that the Flat Face is to the inside of the showering area and the Round Face to the outside.
5. Offer the glass panel onto the bottom panel moulding then reattached the top moulding so the panel is then secured into position.
6. Fit the bottom seal to the moving panel ensuring the deflector faces inward (trim to length as required).

Spare Parts

If you need to replace any damaged parts please see illustration below for parts list then call Customer Relations on 01325 328033



Part No.	Description	Q'ty	Part No.	Description	Q'ty	Part No.	Description	Q'ty
1	Glass Panel	1	11			21		
2	Self-Adhesive Brush Seal	1	12			22		
3	Panel Moulding LH	1	13			23		
4	Panel Moulding RH	1	14			24		
5	Aluminium Pivot Channel	1	15			25		
6	Bottom Seal	1	16					
7			17					
8			18					
9			19					
10			20					

IMPORTANT INFORMATION

Some important information to help you Maintain your product.

The following information is all you need to keep your product looking new.

Clean your product using a mild detergent diluted in water and then polished off using a soft cloth.

If you live in a hard water area, periodically clean your product using a 50/50 solution of white vinegar and water. The solution should be left on the enclosure for approximately 5 minutes then rinsed off using warm water. This method of cleaning should remove lime scale residue.

Simple Maintenance

Our products are generally maintenance free, however it may be necessary to lubricate wheel assemblies and other moving parts from time to time.

It is strongly recommended that a quality silicone spray is used.

A list of Don'ts:

1. Don't use acidic based products which are unsuitable for cleaning enamel surfaces.
2. Don't use abrasive cleaners or cleaners using bleach or solvents, these products will adversely affect the finish of the aluminium profiles.
3. Don't use scouring pads, powder or any sharp instruments when cleaning the enclosure.

Should you experience any problems during installation please refer to the Trouble Shooting Guide or contact Customer Relations on:

+44 (0) 1325 328033

To enable customer relations to provide you with an excellent level of service it is important that you quote your product Code and Reference Number - these can be found on the Guarantee card.