

One Door Quad

Instruction Manual

N2SQ



PO Box 125, Whitworth Avenue,
Aycliffe Business Park,
Co Durham DL5 6WX

To obtain a copy of the Declaration of Performance for this product, please go to: www.ce-dop.com, contact us on +44 (0) 1325 328034, or write to us at the above address, quoting the product reference number where possible.



IMPORTANT INFORMATION

Be aware toughened glass can shatter if not handled correctly. It should not be subjected to any sharp impact and it is essential to protect the glass by resting it on a soft protective surface during installation such as cardboard or carpeting. It is recommended to wear PPE at all times during installation.



PRE-INSTALLATION CHECKS

1. Check you have the correct product. Please look at the labels on the side of the product packaging.
2. Check all the product components are in the box and the fixing kits.
3. Unpack your product and handle it with care.
4. Please check the product for defects or damage, once the installation has commenced we cannot accept responsibility for any defects or damage.
5. Please take time to read these instructions prior to installing your product.
6. Before you commence any drilling check there are no hidden electrical cables and/or water pipes.
7. No attempt should be made to re-work the toughened safety glass.
8. The installation of the product should be performed by two persons.
9. It is strongly recommended that the walls the product is going to be installed on are vertical.
10. It is strongly recommended the product is fitted on a tiled surface or similar waterproof surface.
11. It is strongly recommended the walls are tiled and grouted before the product is installed.
12. If the walls and/or the tray are not level you will not achieve maximum adjustment of the product.
13. Pictures used are for illustration purposes only, product designs may alter slightly as a result of continuing product development.
14. We do not stipulate where the European Standard Kite Mark should be positioned on the glass when being factory assembled.
15. Please note that some natural misting may occur when you remove this product from its packaging, due to the addition of the glass protection pre-coating. If this does occur this can easily be removed with a soft, dry cloth.

Component Check List: Supplied

Description	Quantity
Wall Profiles	2
Horizontal Rails	2
Bearing Assemblies (2 Top + 2 Bottom)	4 (Total)
Door Stops	4
Curved Door Glass	1
Door Flipper Seal	1
Panel Flipper Seals	2
Glass Clamps (2 Left + 2 Right Hand)	4 (Total)
Short Panel Assembly	1
Curved Panel Assembly	1
Door Handle Assembly	1
Horizontal Rail Short Panel Seals	2
Horizontal Rail Curved Panel Seals	2
Cover Plates	2
Profile Cover Plates	2

Fixing Kit Components

Description	Quantity
2.5mm Drill Bit	1
40mm Screws & Wall Plugs	10 of Each
Frame Fixing Screws (Pre-Fitted in Rails)	8
9mm screws	10
Branding Badge	1
LH & RH Top Cap	1 of Each
Miniature Top Caps	2

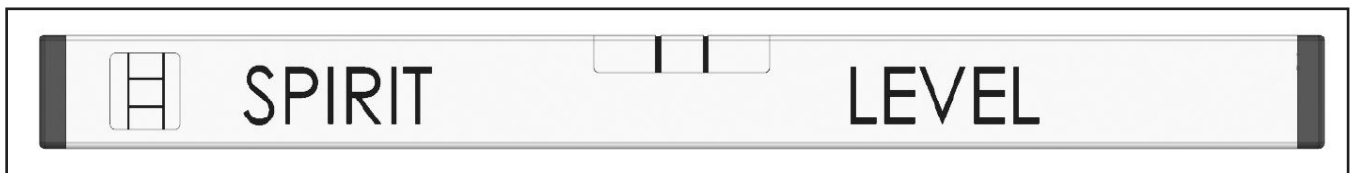
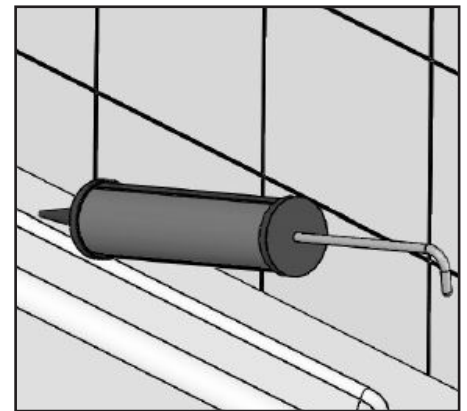
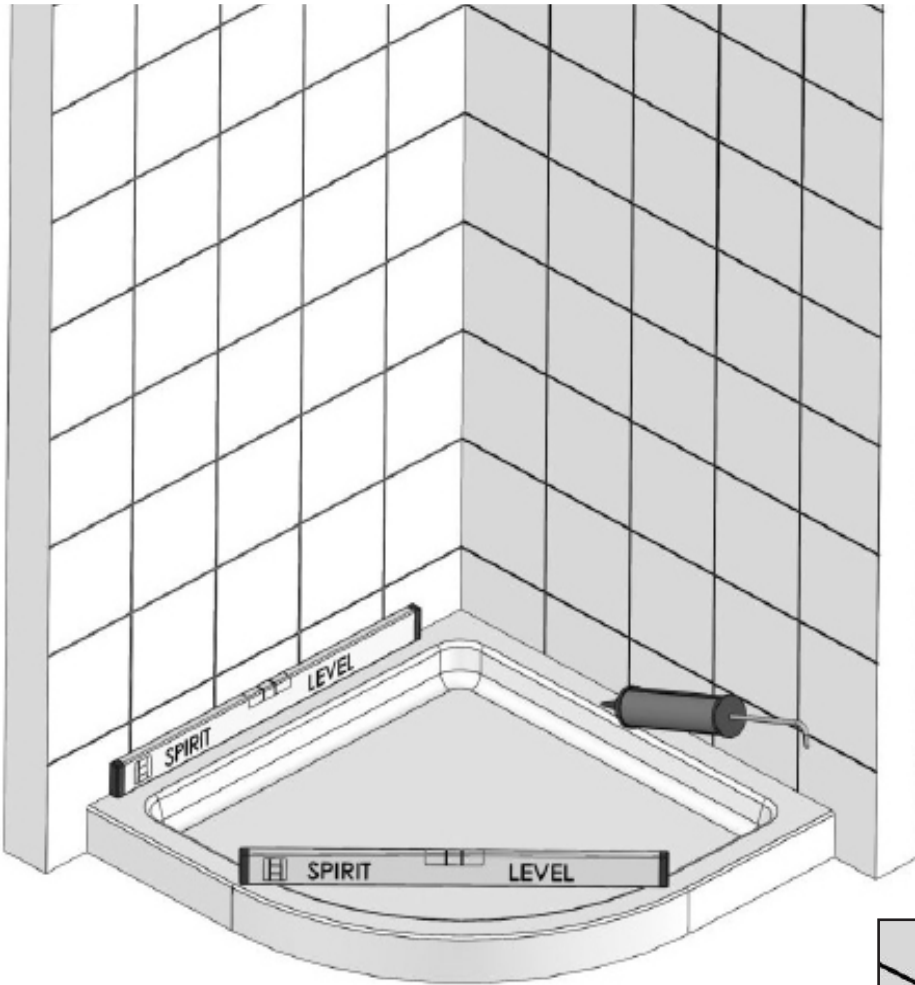
Equipment Check List: Not Supplied

Description
Electric / Battery Drill
6mm Masonry Drill Bit
Silicone Sealant Gun
Bathroom Sealant
Screwdriver
Spirit Level
Tape Measure
Pencil
Stanley Knife / Snips

CONSUMER GUARANTEE

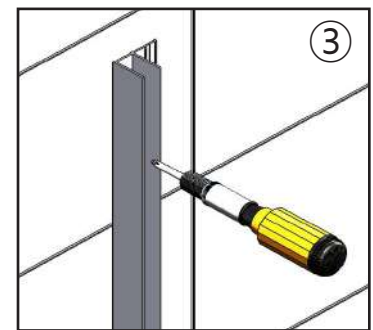
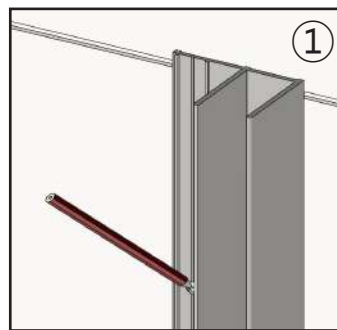
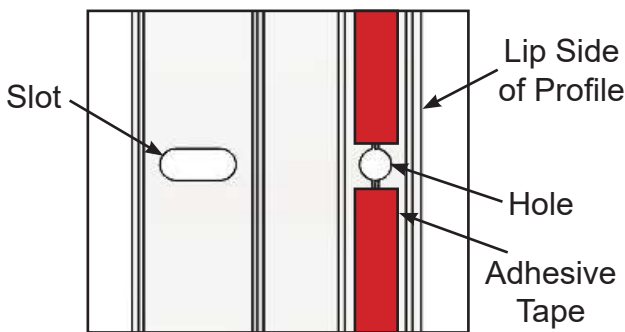
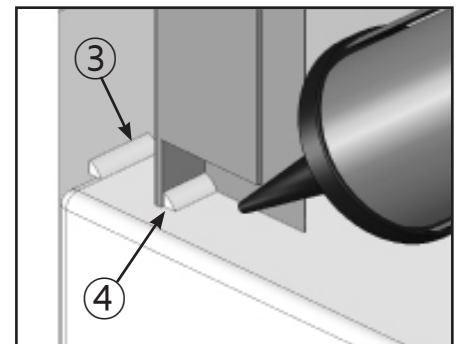
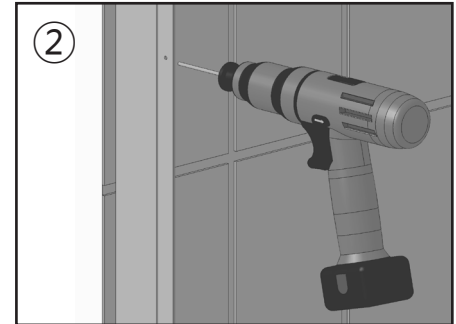
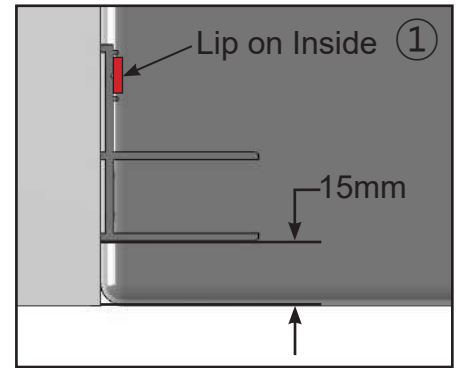
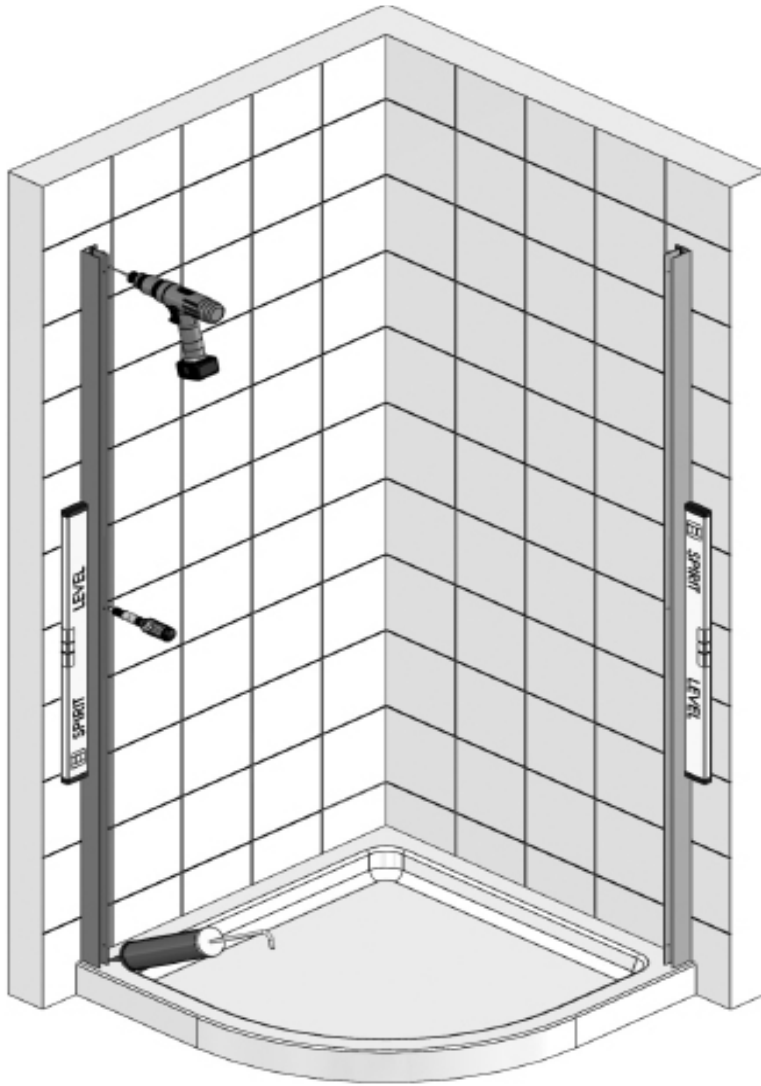
Please make sure the purchaser/end user completes and returns the guarantee card which is enclosed with this product. Failure to validate the Guarantee will mean only the 1 Year Statutory Guarantee will apply.

Step 1 - Pre-Installation Checks



1. Check the tray is level on all sides (the bubble on the spirit level must be in the centre of the 2 lines).
 2. Stand in the tray and check that there is no adverse movement (correct if necessary).
 3. The walls should be tiled and grouted up to the tray.
 4. The tiles and the tray should be sealed using a good quality bathroom sealant.
- **Spray the seal and joints with the shower head and check for leaks when the silicon has cured.**
 - **Check the plumbing for leaks.**
 - **DO NOT plasterboard over the tray.**
 - **DO NOT grout the tiles when the enclosure has been fitted, the grout may discolour the aluminium profiles.**
 - **Make sure the tray is installed as per the manufacturer's instructions.**
 - **When all of the above has been completed please proceed to the Step 2.**

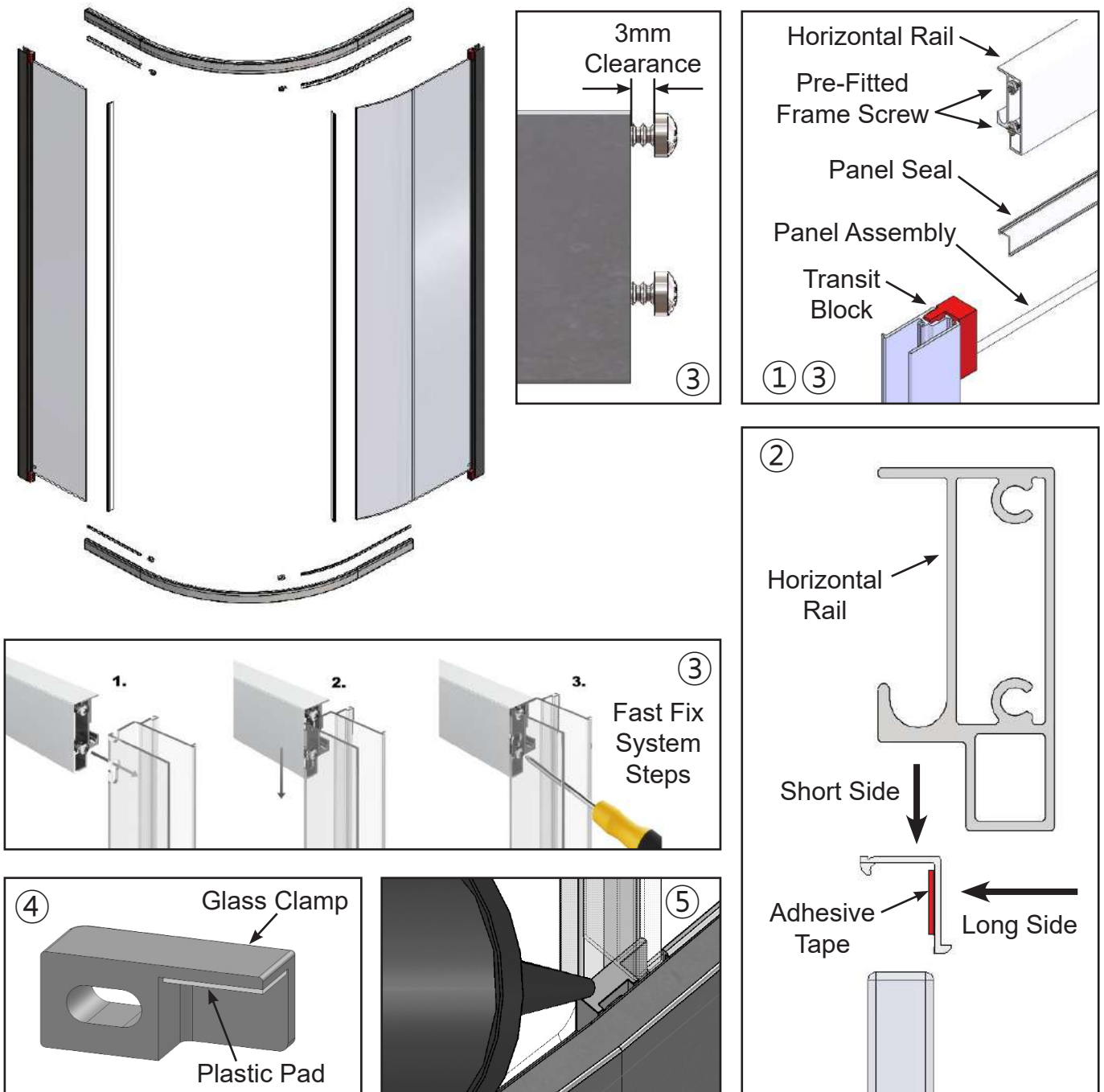
Step 2 - Wall Profile Positioning & Fixing 1st Wall Profile



1. Set both wall profile 15mm in from the outside of the tray making sure the lip section is on the inside, facing the shower area, make sure the wall profiles are completely vertical using a spirit level. On one side, with a pencil mark the wall through the centre slots while the otherside mark through the hole on the lip section of the profile.
2. Drill the wall with a 6mm masonry drill bit (not supplied) where the wall profiles are to be positioned. Fit the wall plugs supplied (if going in to a brick or block wall). If going into a plasterboard wall you will need to purchase appropriate wall fixings. Wipe clear all debris from the tray before referring to the next stage.
3. On the side marked through the centre slot, take the wall profile and position it on the tray, place a bead of bathroom sealant (not supplied) the width of the profile between the tiled wall and tray. Using the 40mm screws (supplied), secure the wall profile to the wall. Do not over tighten the screws into the wall profile as this will misshape the wall profile. Ensure the wall profile stays completely vertical throughout this procedure using a spirit level.
 - **NOTE: Only one wall profile is fitted at this time, the other wall profile is fitted later.**
 - **No sealant to be present between the wall profiles and the tiled walls vertically prior to screw fixing.**
4. Seal the gap on the inside between the tray and wall profile with a bathroom sealant (not supplied).
 - **Failure to carry out stages 4 & 5 correctly can result in serious water damage and is not covered by the Guarantee.**

Step 3 - Assembling the Frame

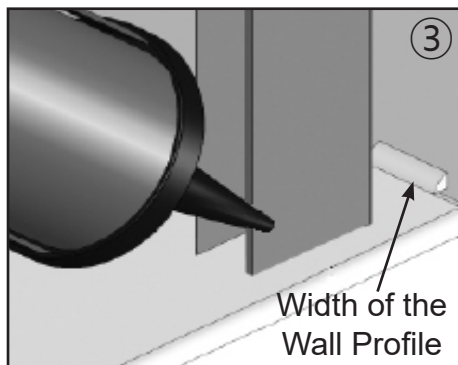
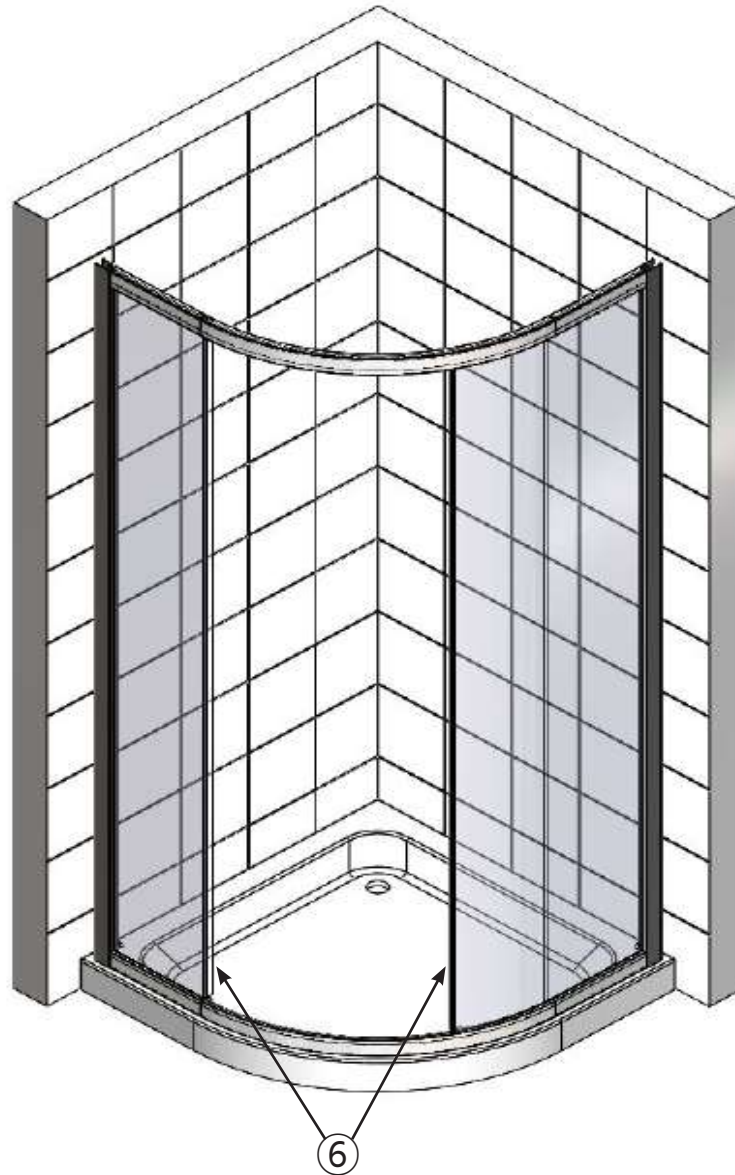
NOTE: Prepare an area that the product can be partially built. 2 people will be required to carry out the following procedures.



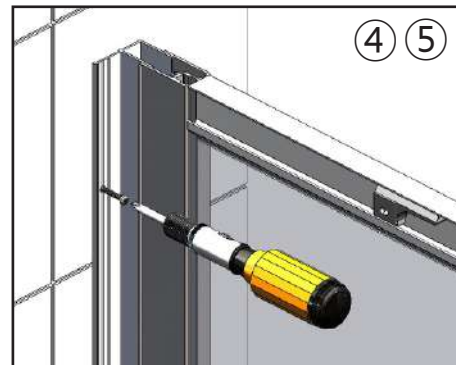
1. Remove the transit blocks from each end of the vertical aluminium on the fixed panels.
2. Peel off the film of the adhesive tape on the "L" shaped panel seals, and fit the appropriate seals on to the horizontal edges of the corresponding glass. Sit one of the rails on the floor ready for the next step.
 - **NOTE: There is a long side and short side to the seal, make sure you fit the seal the correct way.**
3. Following the fast fix system steps as shown above, offer the key slot hole of one of the panel assembly onto the pre-fitted horizontal rail screws until it slots in, then drop into position. The glass should slot in behind the glass clamp, these can be slightly loosened if too tight, ensure the plastic pad is between the top of the glass and the clamp.
 - **Ensure the clamp is pushed up tight to the glass edge.**
4. With the panel assembly in position, adequately tighten both screws, repeat the same process for the opposite panel.
 - **IMPORTANT: Use a hand screwdriver in order to NOT over stress the screws.**
5. When the bottom assembly is complete, using the same process, slot the top horizontal rail into the key slot hole of the panel assemblies, drop into position and tighten screws. Repeat on the other side.
 - **Remember 2 people will be required to do these procedures.**
6. Seal the gap in the glass clamps with silicon sealant to prevent leaking from this area.

Step 4 - Fitting the Frame & Fixing the 2nd Wall Profile

NOTE: This part of the installation requires 2 people.



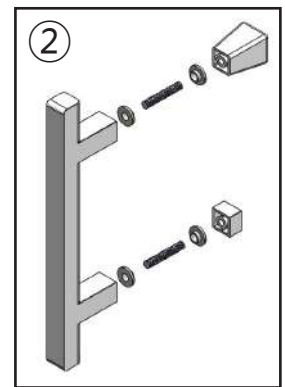
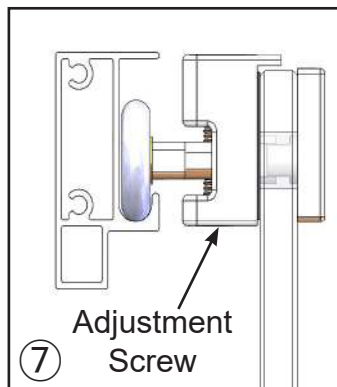
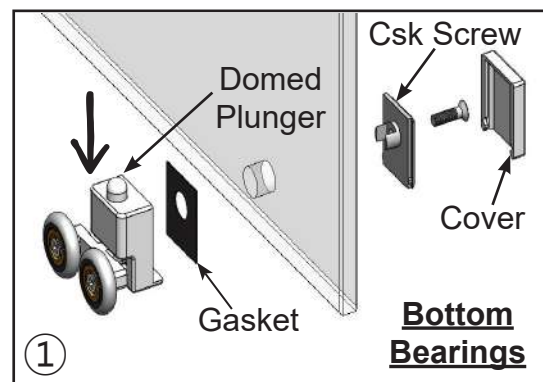
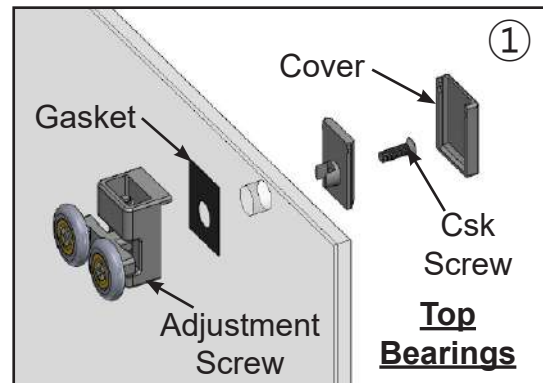
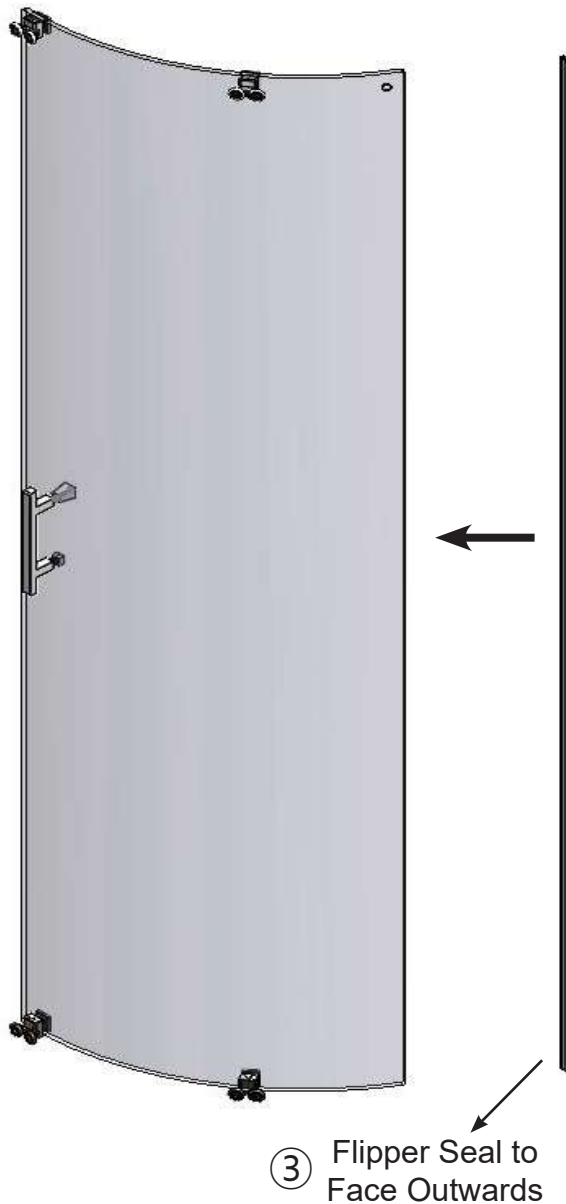
Panel Vertical
Seals



1. Place the remaining wall profile onto the end of the framework where it is required.
2. Gently lift the framework onto the tray and into position, take care that the glass stays between the glass clips and the horizontal rails.
3. Where the remaining wall profile meets the tiled wall and tray apply a generous bead of sealant.
4. Position the wall profile so that it locates over the previously fitted wall plugs.
5. Take the 40mm screws (supplied) and secure the wall profile to the wall. Do not over tighten the screws into the wall profile as this will misshape the wall profile. Ensure the wall profile stays completely vertical throughout this procedure using a spirit level.
6. Fit the vertical panel seals to the edge of the glass (ensure the flippers face inwards towards the shower) and trim to length if required.

Step 5 - Assembling and Fitting the Door

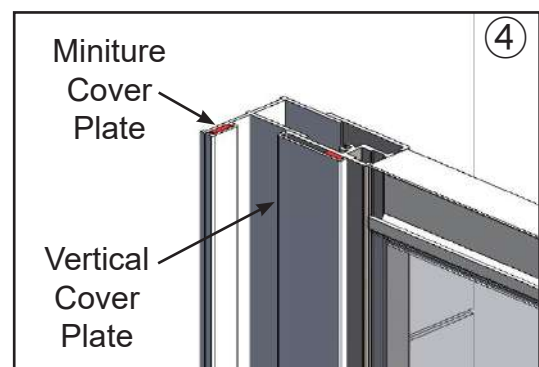
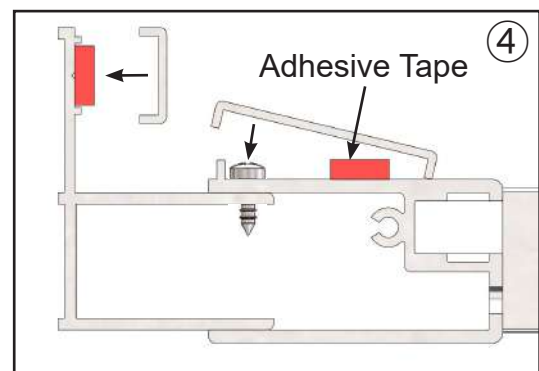
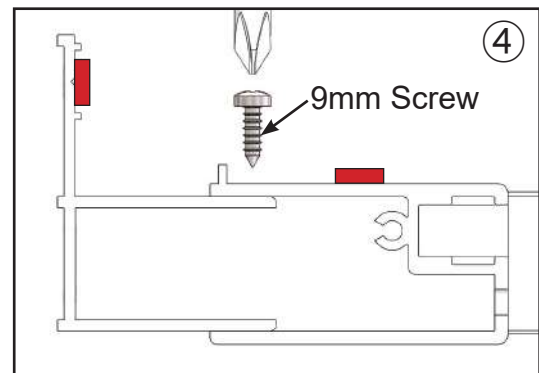
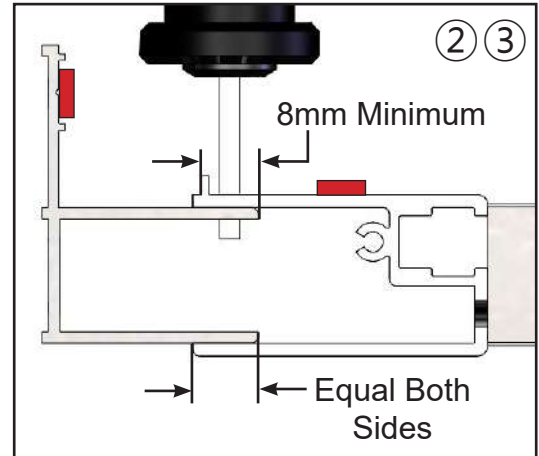
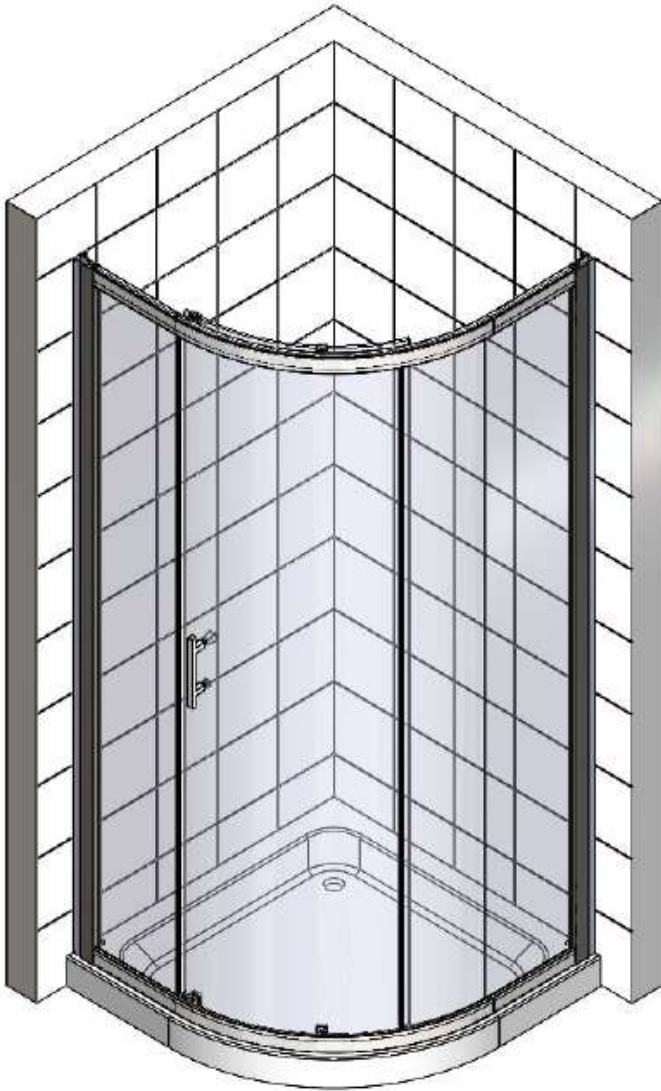
NOTE: The bearing assemblies for the top and bottom are different and can be distinguished by the bottom bearings having a domed plunger.



1. Carefully dismantle the bearing assemblies, place the gasket on the outside of the glass (bearing side) then re-assemble onto the door glass. Make sure you have the correct bearings at the top and bottom and that the wheels are on the outside of the glass.
 - **IMPORTANT: Fit the bearing assemblies to the doors using a hand screwdriver only (Do NOT use a drill)**
 - **NOTE: The bottom bearings have a domed plunger.**
2. Dismantle the handle assembly and re-assemble onto the door glass. Make sure the hole bush is fitted between the screw and glass and the spacers are fitted each side of the door.
3. Fit the vertical door seal to the door glass, the soft flipper section to face the outside, trim down if required.
4. Carefully lift the assembled door into the enclosure ensuring that it is the correct way round.
5. Position the top wheel bearings into the horizontal top rail (you may need to have the door at a slight angle) and drop the door gently down.
6. Push down the spring loaded domed plunger on the bottom wheel bearings to push them under the bottom rail.
7. There is a screw underneath the top bearings for adjustment purposes, adjust as necessary to align the door.
8. When satisfied with the fitting of the door, fit the inner bearing covers.

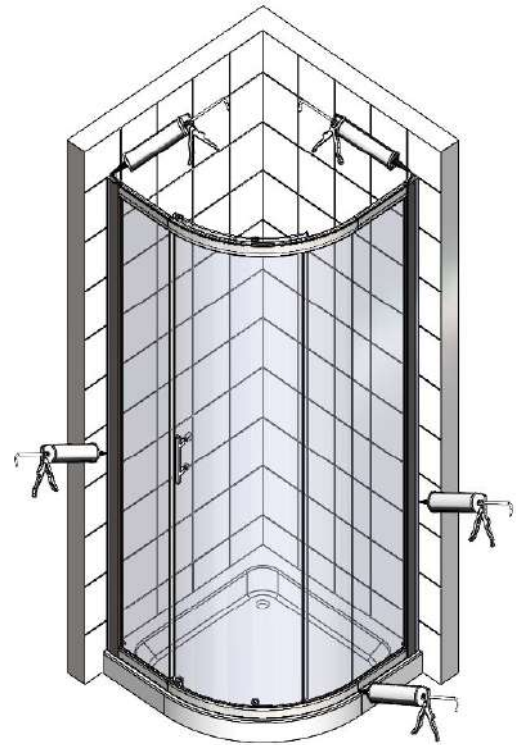
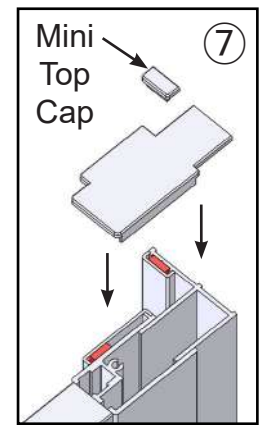
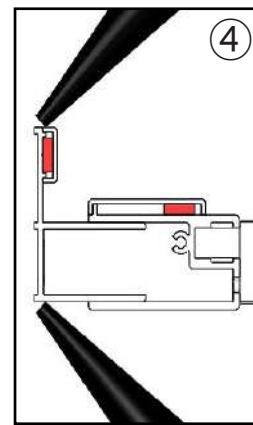
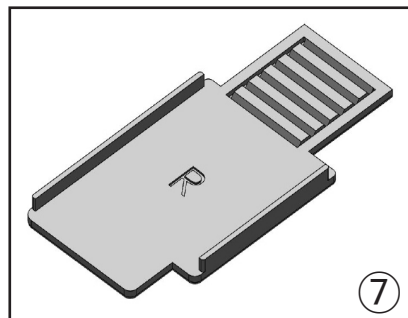
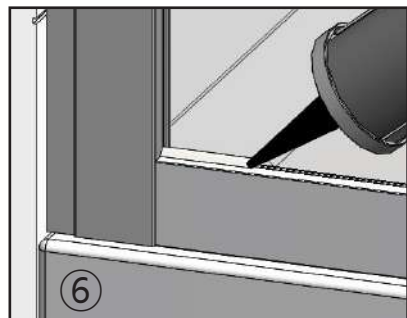
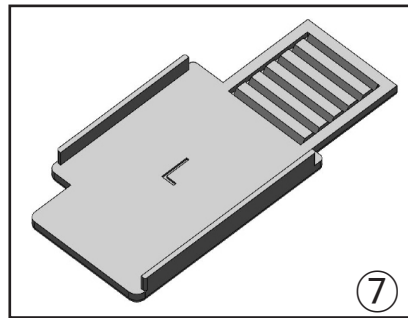
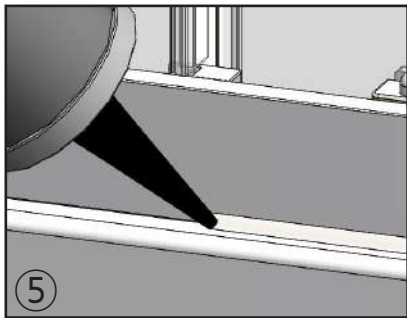
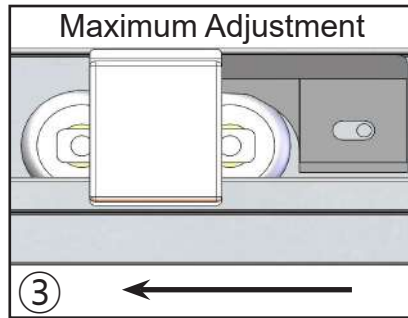
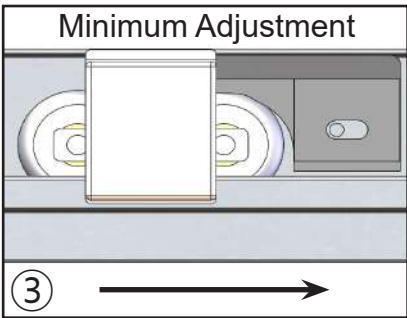
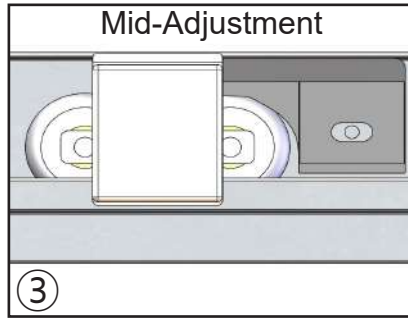
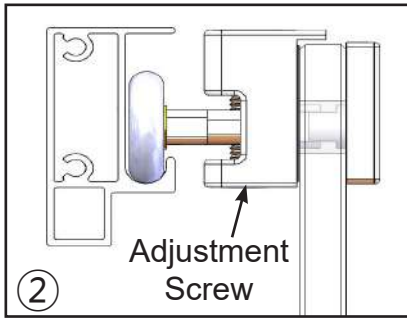
Step 6 - Fixing the Enclosure

NOTE: The stages below will require 2 people to carry them out.



1. Ensure both panel assemblies are completely vertical and the enclosure is level.
2. Make sure the enclosure is positioned equally between both wall profiles with a minimum of 8mm for drilling.
3. On each panel vertical, drill three 2.5mm holes into the wall profiles, they are to be drilled approximately 100mm from each end with the one in the centre.
 - **Ensure the frame is completely vertical (Spirit level bubble must be in the centre of the 2 lines).**
4. Take the 9mm screws and fix the frame to the wall profiles, ensuring that the frame is still vertical throughout, when satisfied, peel off the adhesive film on the vertical aluminum and wall profile then push on the two cover plate and repeat on the opposite side.

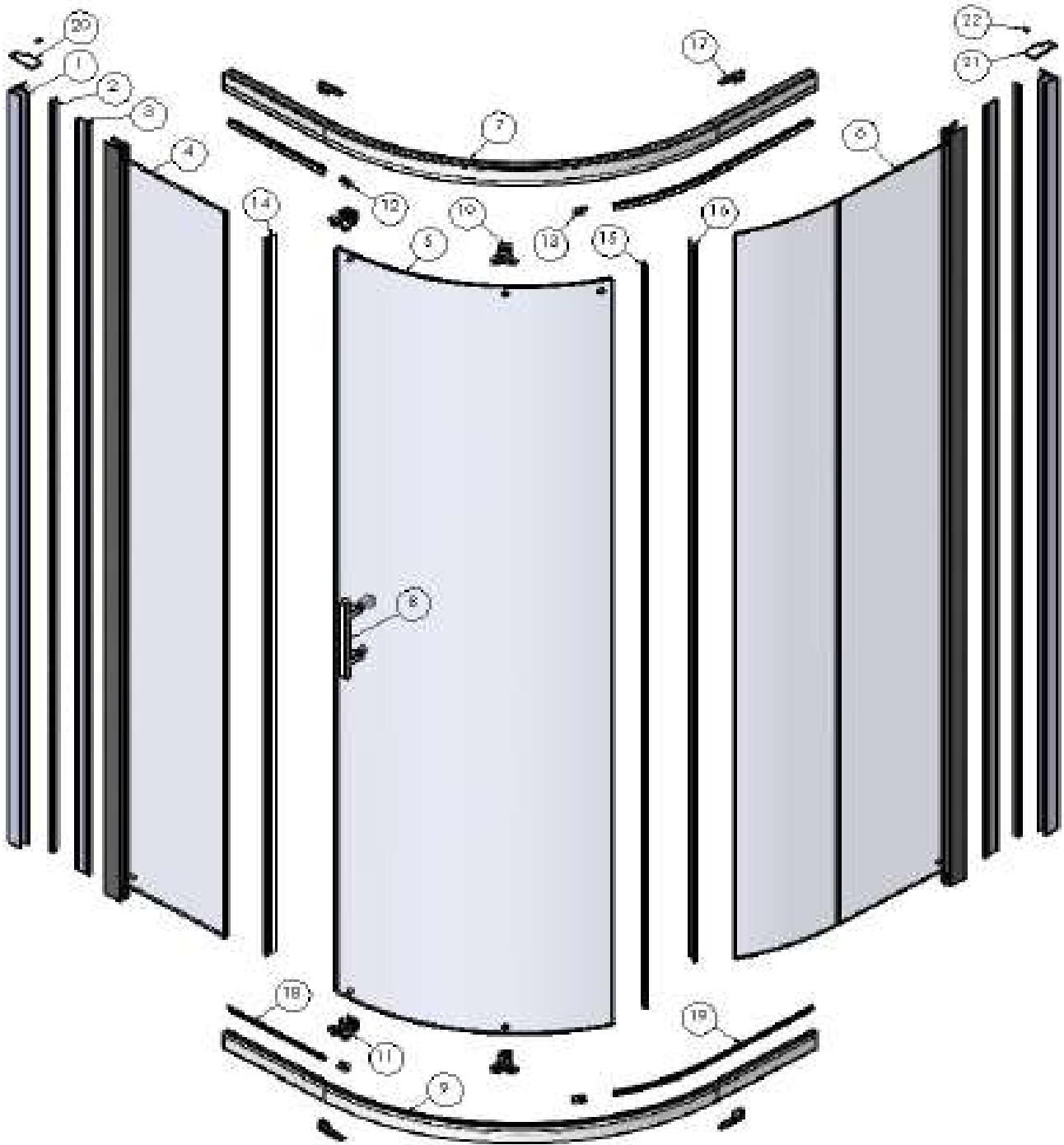
Step 7 - Door Adjustment and Sealing



1. Close the door, checking that the seals meet and that the door is running smoothly. The door seal can be pulled away from the glass slightly to help with the door closure.
2. The door can be adjusted by turning the screws on the top bearing assemblies using a screwdriver. Turn the screws up or down until you are satisfied with the door.
3. With the door adjusted, if necessary, adjust the pre-fitted door stops so they just make contact with the wheel of the bearing when open, this is to prevent excessive movement and rocking. The door stops can be moved left-to-right so that the wheel contacts it between its min and max adjustment (see diagrams).
 - **IMPORTANT: Adjust the door stops top and bottom, failure to do so may result in breakages.**
4. Using a good quality sealant, seal both sides of the wall profiles vertically inside and outside where they meet the tiled walls.
5. Fully seal the bottom horizontal rail to the top of the tray on the outside only from wall to wall.
6. Fully seal horizontally between the top of the bottom horizontal rail and the panels glass on the outside.
 - **IMPORTANT: Failure to carry out stages 4, 5 and 6 may result in serious water damage and is not covered under the terms of the guarantee.**
 - **DO NOT seal the base of the product to the inside, failure to comply may result in the product leaking.**
7. Fit the top caps, these can be shortened to fit by snapping off at the relevant groove. Apply a small amount of silicon to the underside to help keep in place.
8. Fit the door and panel flipper seals onto the edge of the glass.
9. Please allow 24 hours for the sealant to cure prior to using the enclosure.
10. Place the branding badge in a prominent position on a none moving part of aluminium.

Spare Parts

If you need to replace any damaged parts please see illustration below for parts list then call Customer Relations on 01325 328033



Part No.	Description	Q'ty	Part No.	Description	Q'ty	Part No.	Description	Q'ty
1	Wall Profile	2	11	Bottom Bearings	2	21	RH Top Cap	1
2	Wall Profile Cover Plate	2	12	Glass Clip (LH)	2	22	Miniture Top Cap	2
3	Cover Plate	2	13	Glass Clip (RH)	2			
4	Short Panel Assembly	1	14	Short Panel Vertical Seal	1			
5	Curved Door Glass	1	15	Door Vertical Seal	1			
6	Curved Panel Assembly	1	16	Curved Panel Vertical Seal	1			
7	Top Rail	1	17	Door Stops	4			
8	Door Handle	1	18	Short Horizontal Seal	2			
9	Bottom Rail	1	19	Curved Horizontal Seal	2			
10	Top Bearings	2	20	LH Top Cap	1			

TROUBLE SHOOTING GUIDE

Problem	Solution
Leaking	<ol style="list-style-type: none">1. Check the tray is sealed correctly along the tiled walls prior to installation.2. Check that the inside gap between the tray and wall profiles has been sealed correctly.3. Check the base of the enclosure is sealed on the outside only.4. Check that a bead of sealant the width of the wall profile has been applied.5. Check the wall profiles on the tiled walls are sealed both vertically inside and outside.6. Check all the seals have been cut and positioned correctly.7. Fit the longer frame flipper seal. <ul style="list-style-type: none">• Important: This enclosure should be water tested conforming to BS EN 14428
Enclosure Alignment on the Tray or Floor	<ol style="list-style-type: none">1. Check the enclosure has been fitted onto a tiled wall or similar sealed surface.2. Check that the wall profiles are fitted 15mm in from the front of the tray.3. Check the wall profiles are completely vertical.4. Check that the enclosure is completely level and vertical. <ul style="list-style-type: none">• The bubble on the spirit level must be in the centre of the 2 lines.
Door not operating / closing correctly	<ol style="list-style-type: none">1. Check the tray is completely level, this could have an effect on the positioning of the door when adjusted. You may not have enough adjustment within the wall profile due to compensating for an out of level tray.2. Check the wall profiles are completely vertical.3. Check the channels that the door slides in has some lubrication gel / silicone grease in it (If not please apply some form of lubricating agent in the channels).4. If the door does not hang vertically you have adjustment at the top of each wheel bearing assembly, turning the screws clockwise will lift the door likewise, anticlockwise lowers the door.5. Rotate the Door Stops to prevent rocking.

Some important information to help you Maintain your product.

The following information is all you need to keep your product looking new.

Clean your product using a mild detergent diluted in water and then polished off using a soft cloth.

If you live in a hard water area, periodically clean your product using a 50/50 solution of white vinegar and water. The solution should be left on the enclosure for approximately 5 minutes then rinsed off using warm water. This method of cleaning should remove lime scale residue.

Simple Maintenance

Our products are generally maintenance free, however it may be necessary to lubricate wheel assemblies and other moving parts from time to time.

It is strongly recommended that a quality silicone spray is used.

A list of Don't's:

1. Don't use acidic based products which are unsuitable for cleaning enamel surfaces.
2. Don't use abrasive cleaners or cleaners using bleach or solvents, these products will adversely affect the finish of the aluminium profiles.
3. Don't use scouring pads, powder or any sharp instruments when cleaning the enclosure.

Should you experience any problems during installation please refer to the Trouble Shooting Guide or contact Customer Relations on:

+44 (0) 1325 328033

To enable customer relations to provide you with an excellent level of service it is important that you quote your product Code and Reference Number - these can be found on the Guarantee card.