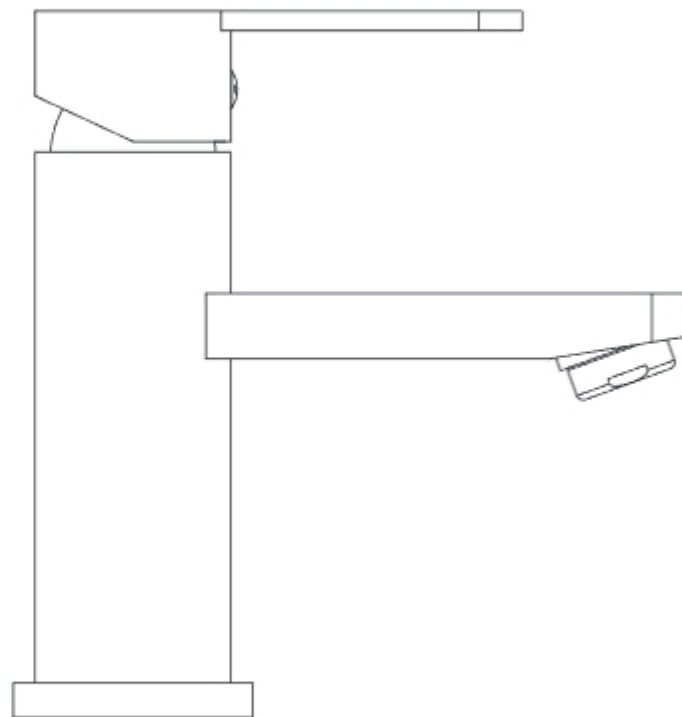




Eastbrook Road, Gloucester GL4 3DB
Technical Helpline: 01452 317890
email: technical@eastbrookco.com

SINGLE LEVER BASIN MIXER



Installation/Instruction

56.2015

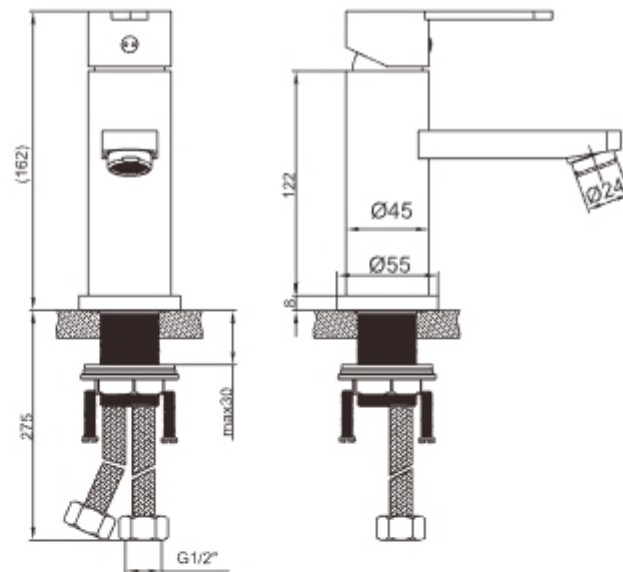
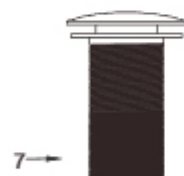
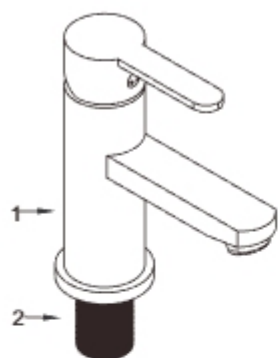
Prado 800 mono basin c/w clicker waste
Manufacturers Code:70411

COMPONENTS

The monobasin contents the following:

- 1 Single lever basin mixer
- 2 Connection sleeve with male screw
- 3 Rubber sleeve gasket
- 4 Steel sleeve gasket
- 5 Oval fixing nut
- 6 Flexible hose
- 7 Pop-up waste
- 8 Upper washer
- 9 Under washer
- 10 Fixing gasket
- 11 Fixing nut

check that all parts are correct



INSTALLATION

- 1 Screw the stud into the hole in the base of the mixer unit and secure.
- 2 Slide the rubber seal and horseshoe plate over the stud and secure the mixer assembly in place using the nut provided.
- 3 Slide the silicon seal onto the upper waste outlet and fit the lower silicon seal onto the lip on the lower waste outlet place the upper waste fitting into the drainage hole in the monobasin. Screw the lower waste outlet into the upper waste outlet.

Fitting the waste nut

Slide the silicon seal onto the upper waste outlet and fit the lower silicon seal onto the lip on the lower waste outlet.

Place the upper waste fitting into the drainage hole in the monobasin. Screw the lower waste outlet into upper waste outlet.