

COMPONENTS

The mixer set comprises of the following:

- 1 Bath Shower Mixer
 - 2 Connection sleeve with male screw (2 off)
 - 3 Fixing gasket (2 off)
 - 4 Fixing nut (2 off)
 - 5 Flexible Hose
 - 6 Diverter
- check that all parts are correct

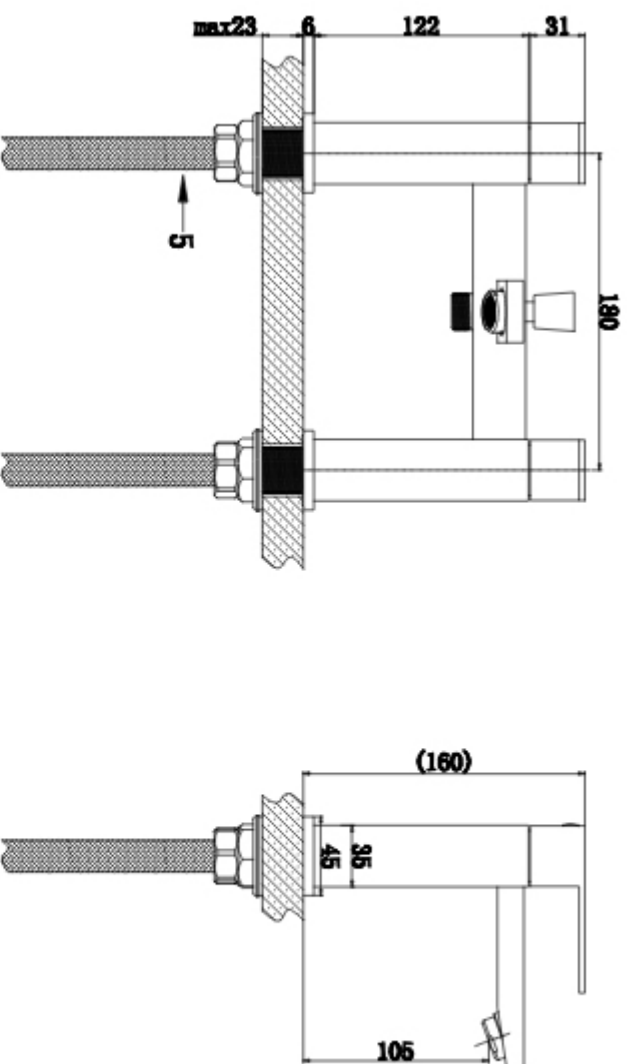
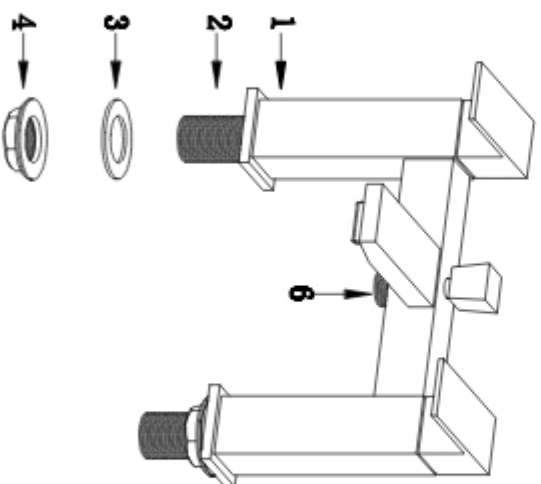


fig. 1

INSTALLATION

Bathtub mixer installed onto bathtub as per drawing fig 1.
Connect the hot and cold supplies to the taps using standard BSP tap connectors (3/4" Flexible Hose).