

The logo for Eastbrook, featuring the word "Eastbrook" in white, bold, sans-serif font centered within a blue, wavy-edged banner.

Eastbrook

Eastbrook Road, Gloucester GL4 3DB

Technical Helpline: 01452 317890

email: technical@eastbrookco.com

INSTALLATION MANUAL

Eastbrook

Eastbrook Road, Gloucester GL4 3DB
Technical Helpline: 01452 317890
email: technical@eastbrookco.com

VOLENTE SINGLE DOOR QUAD

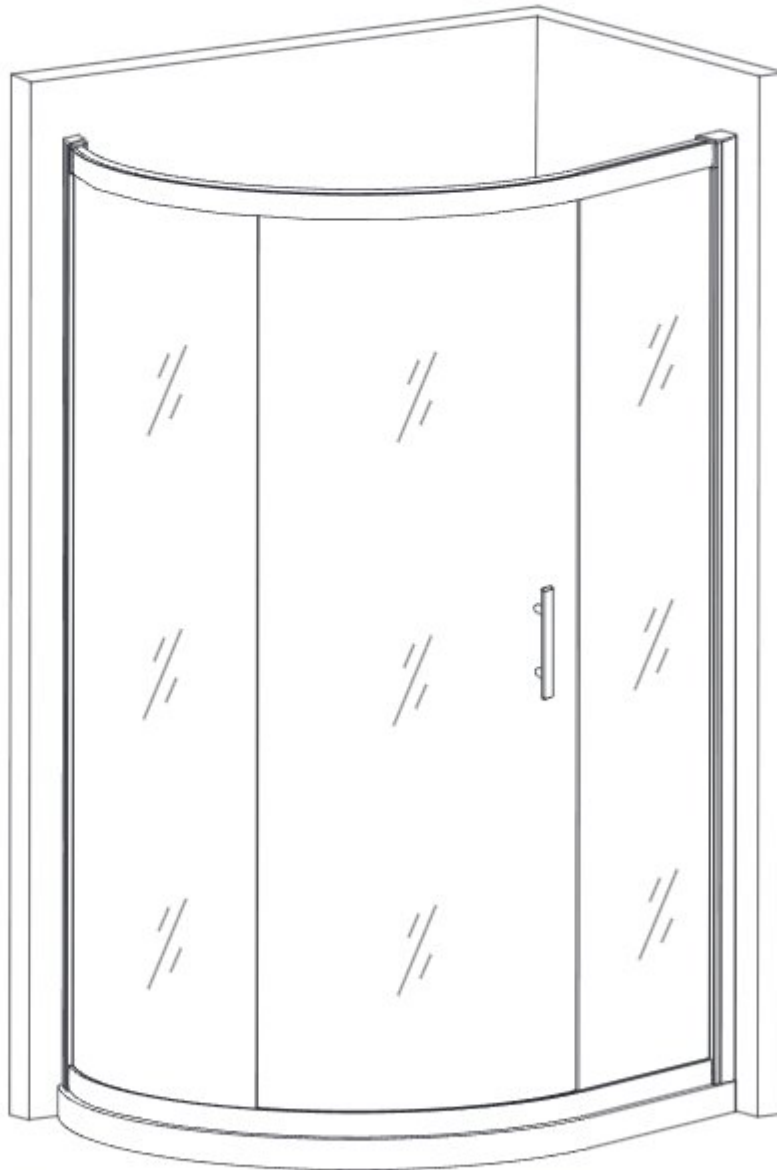
Eastbrook Code	Adjustment
58.104	815-835/967-985

This product should only be fitted by a fully qualified installer.

***This product must be unpacked and checked for quality prior to installation.**

***Any missing parts or damage must be reported to your supplier within 10 days of purchase and before install.**

No claims can be enforced outside of these terms



Please make the following checks before commencing installation:

- The product supplied is the required size and adjustment is compatible with the site situation
- Check all component parts are present; see packing list and product schematic diagram for reference.
- Make sure you have all the tools required.

TOOLS REQUIRED



Pencil



(\varnothing 6.3.2) bit drill



Silicone gun



Flat and cross
screwdriver



Tap measure



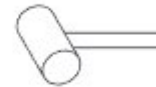
Spirit level



Electric drill

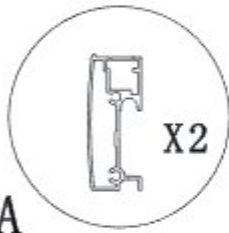


Spanner



Rubber hammer

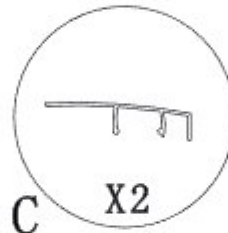
PACKING LIST



A



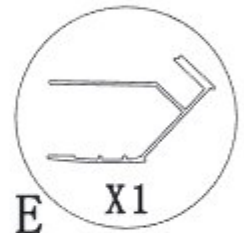
B



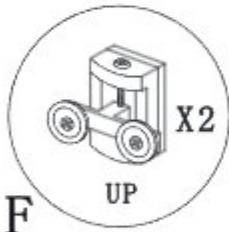
C



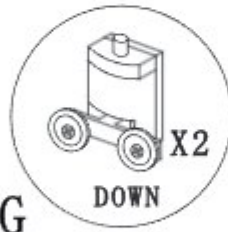
D



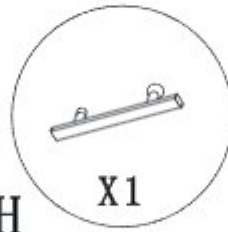
E



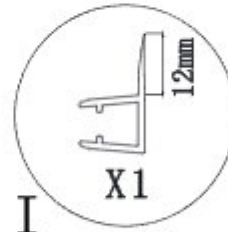
F



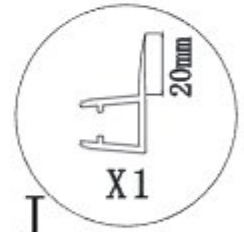
G



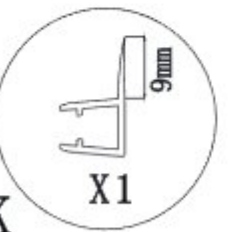
H



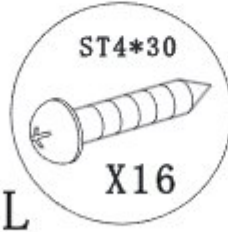
I



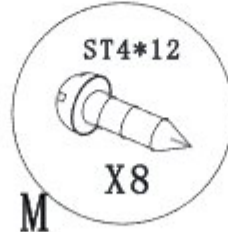
J



K



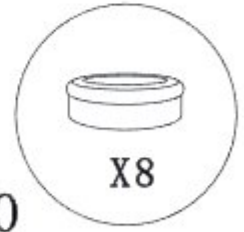
L



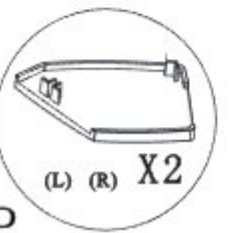
M



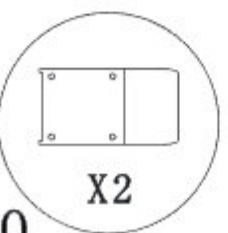
N



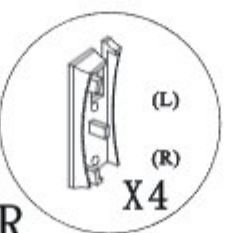
O



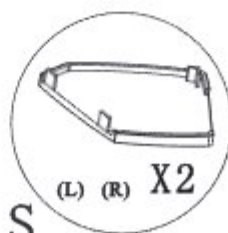
P



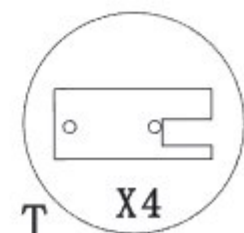
Q



R

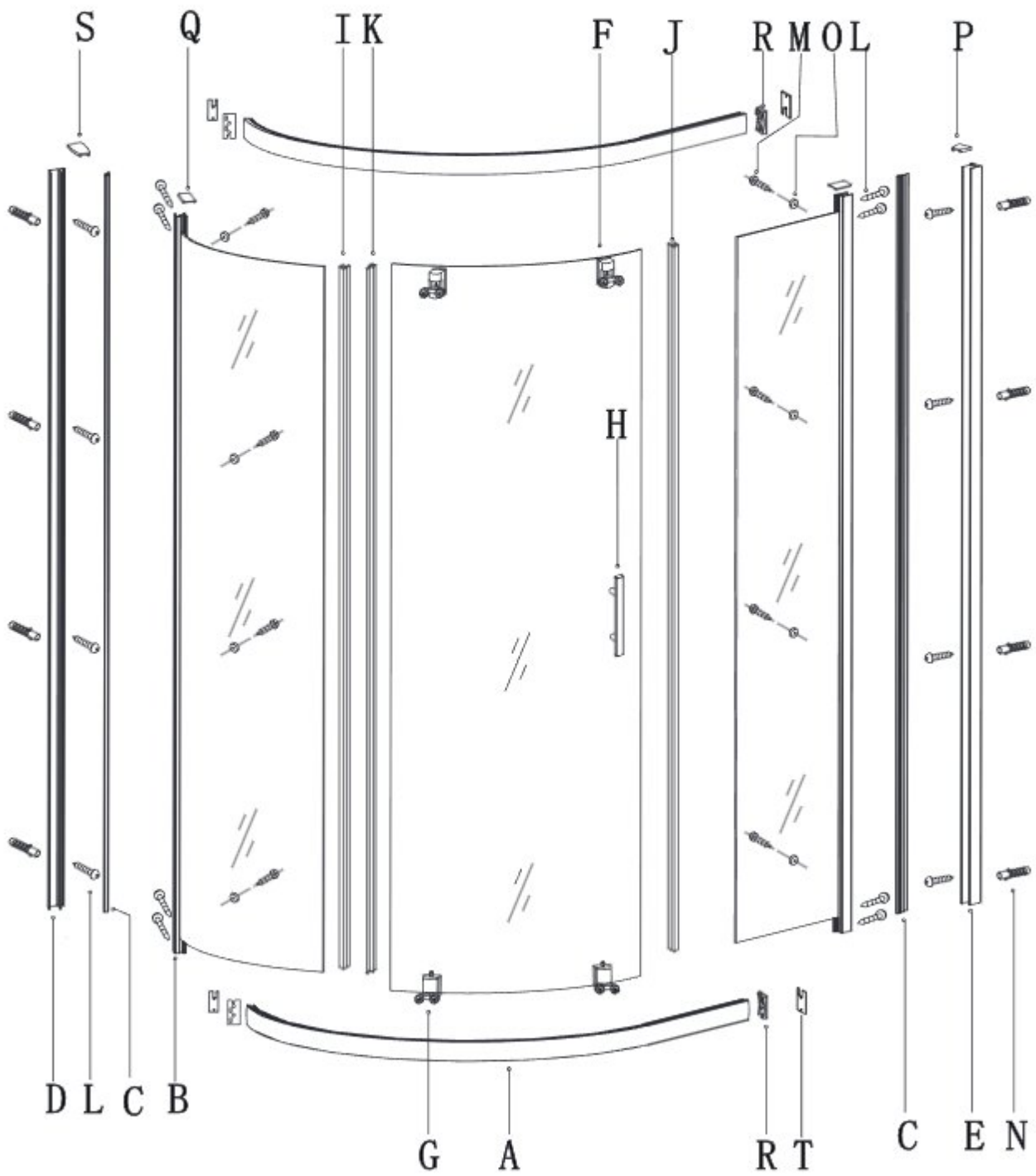


S

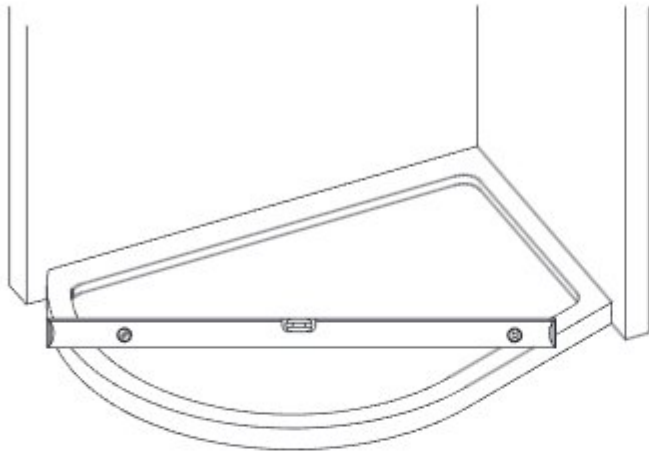


T

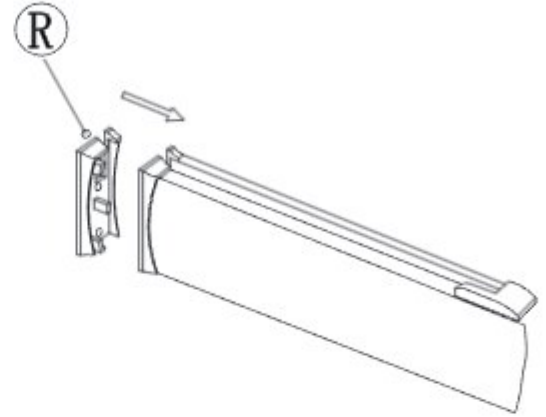
PRODUCT SCHEMATIC DIAGRAM



1

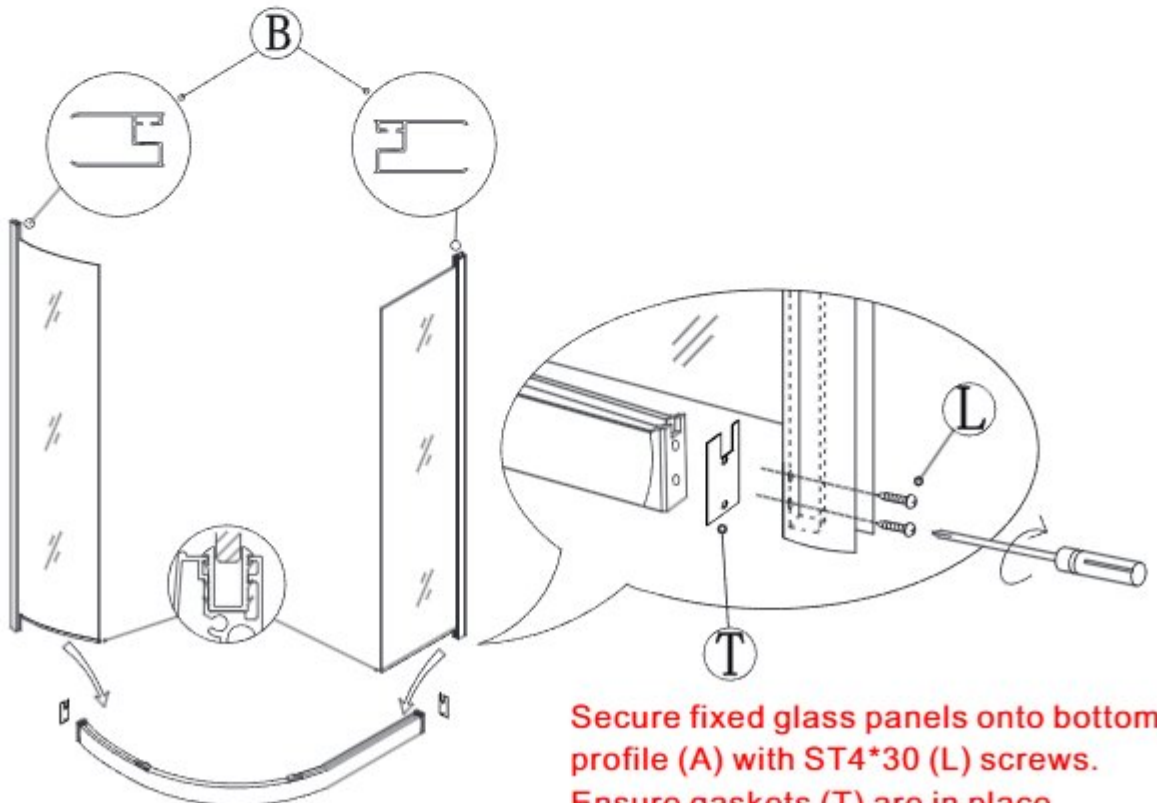


2



Connect part (R) onto the ends of profiles (A).

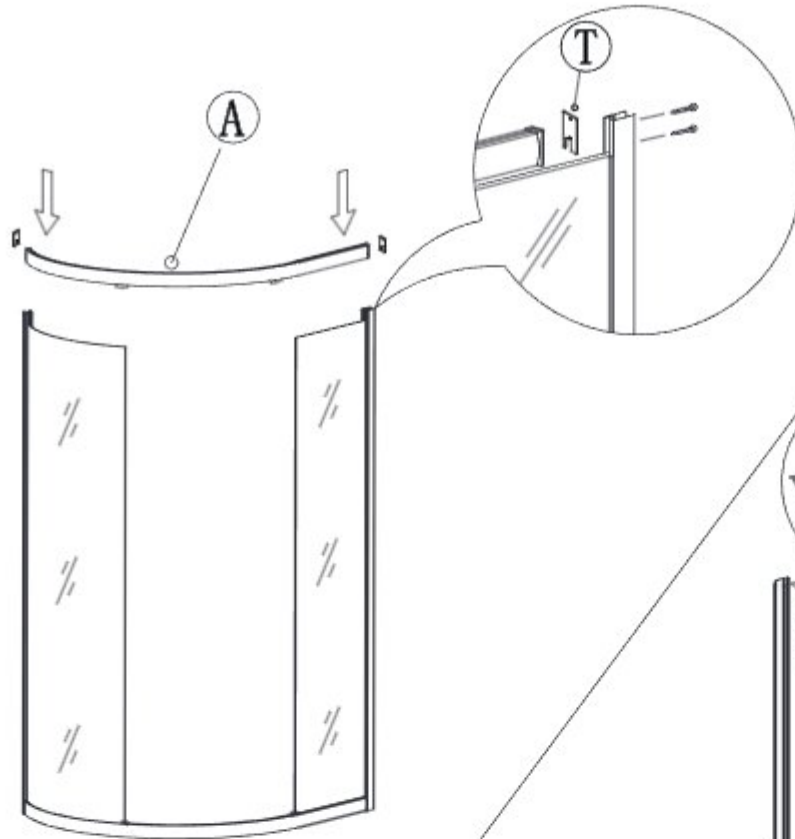
3



Secure fixed glass panels onto bottom profile (A) with ST4*30 (L) screws. Ensure gaskets (T) are in place.

(3)

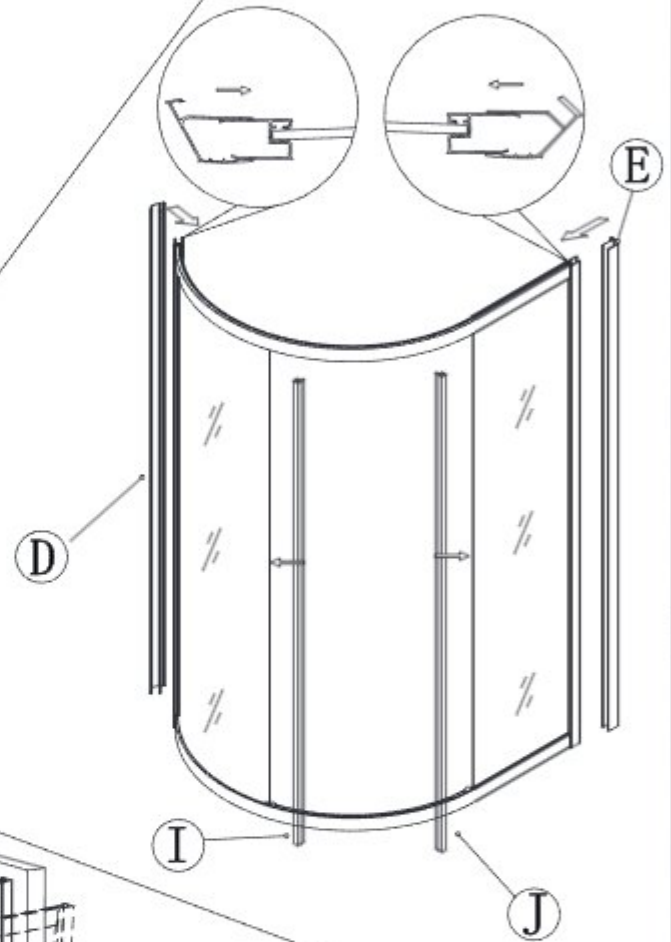
4



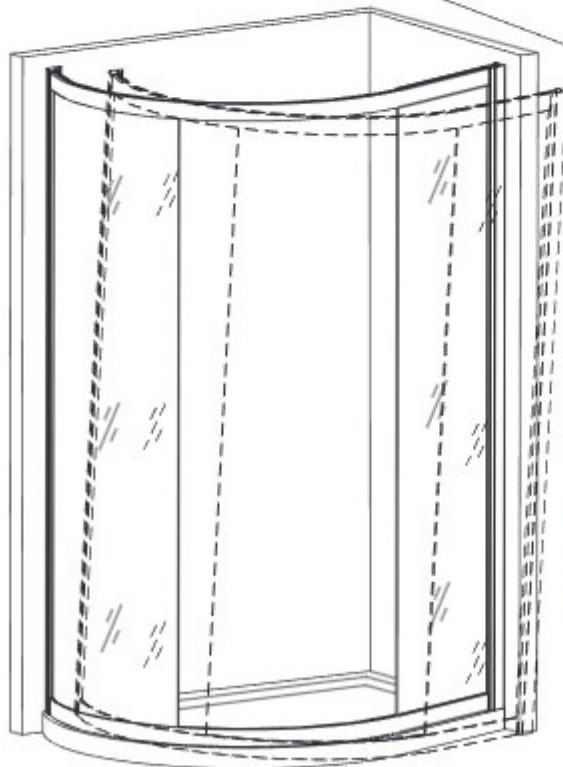
Secure fixed panels onto top profile (A) with ST4*30 (L) screws. Ensure gaskets (T) are in place.

5

Place wall profiles (D) and (E) onto ends of frame. Fit anti-water strips (I) and (J).



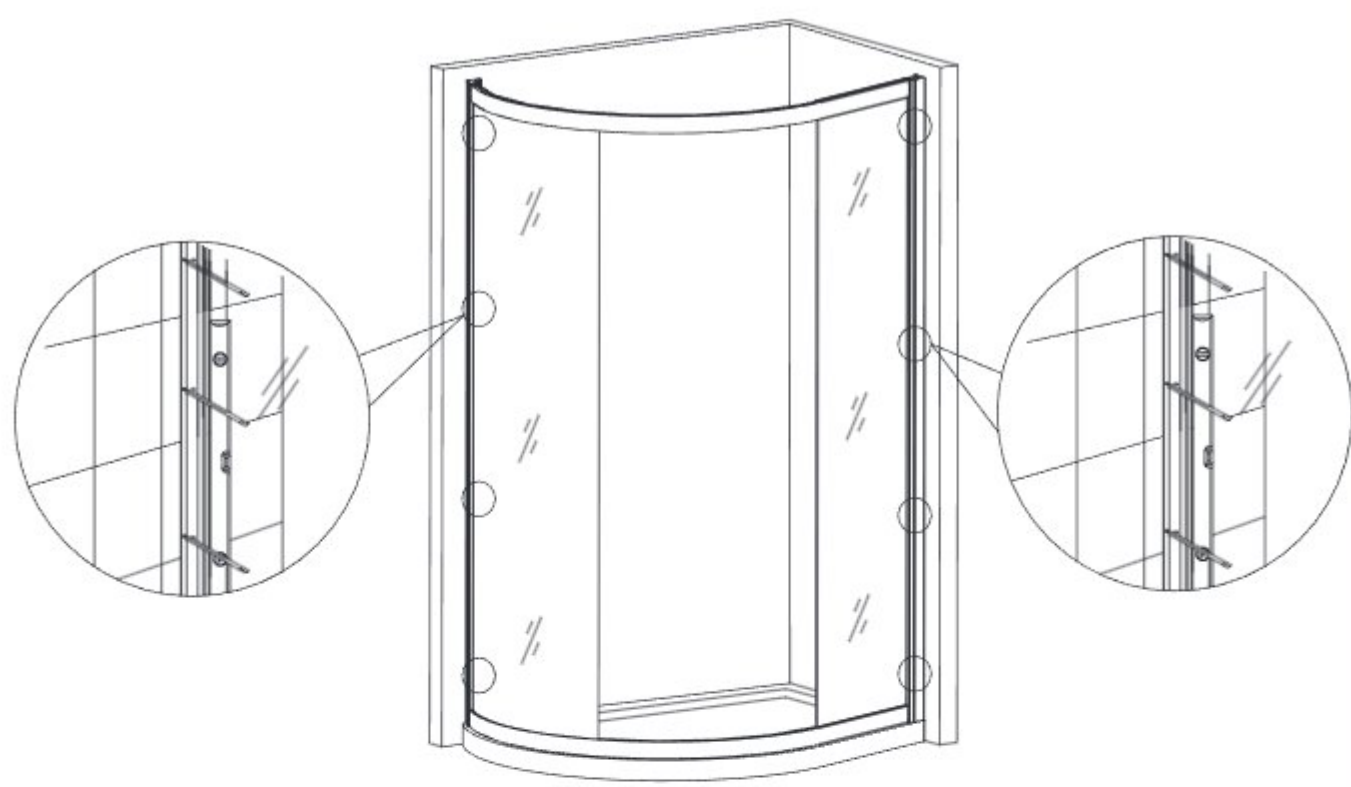
6



Lift quad with wall profiles in place onto tray and adjust until in required position.

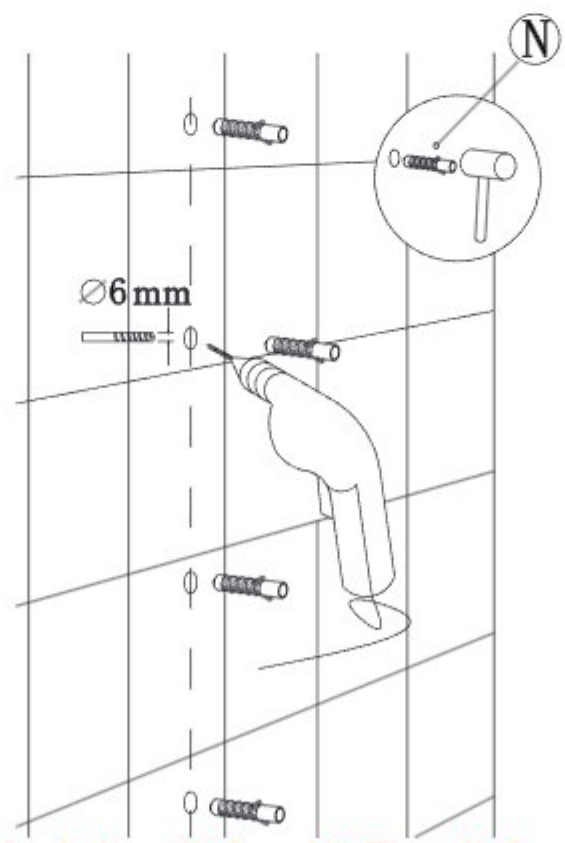
(4)

7



Level and mark wall profile fixing holes.

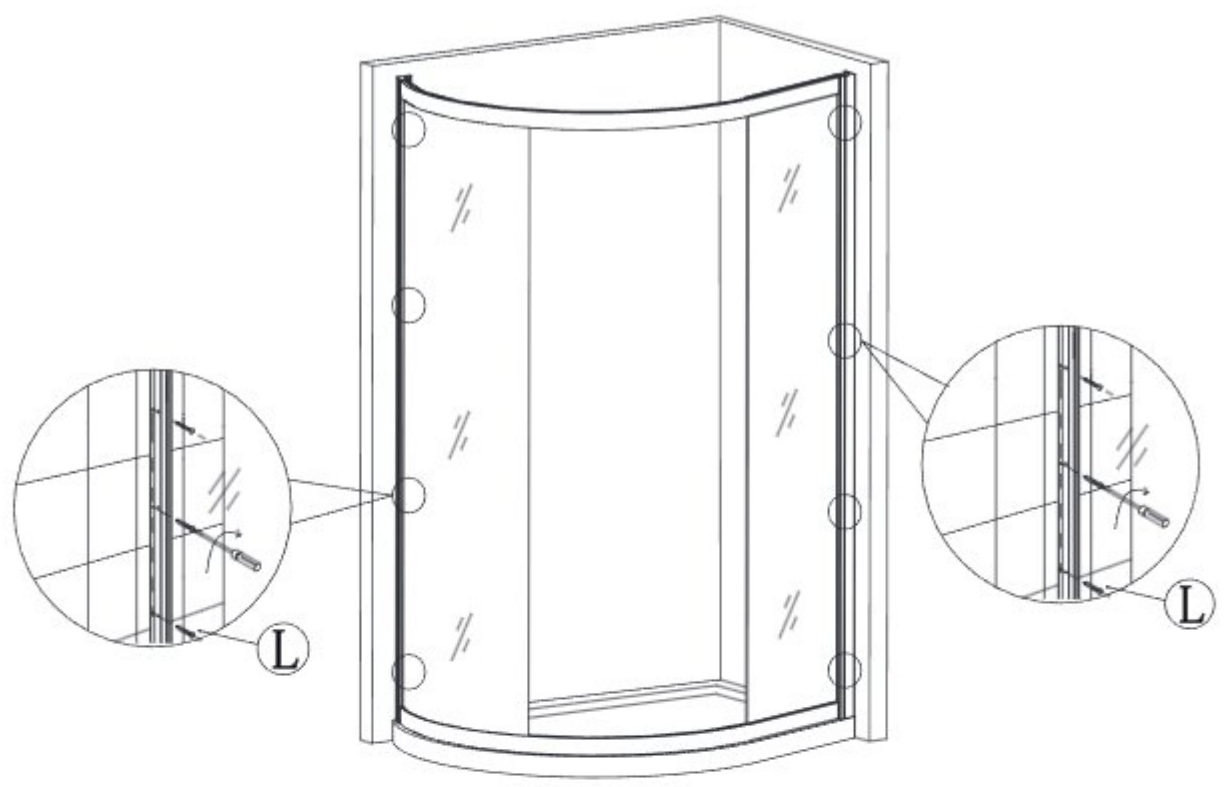
8



**Drill fixing holes with 6mm bit. Fix wall plugs (N).
Substitute for hollow wall fixings if installing onto a stud wall.**

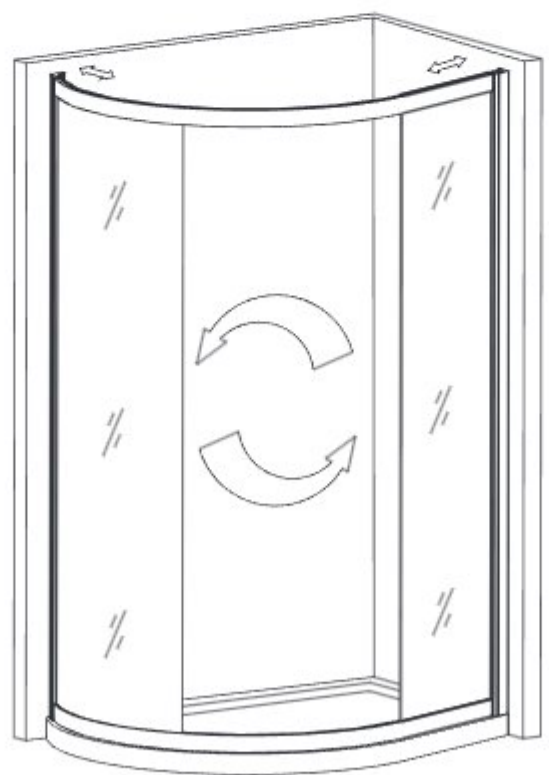
(5)

9



Fix in position with ST4*30 (L) screws.

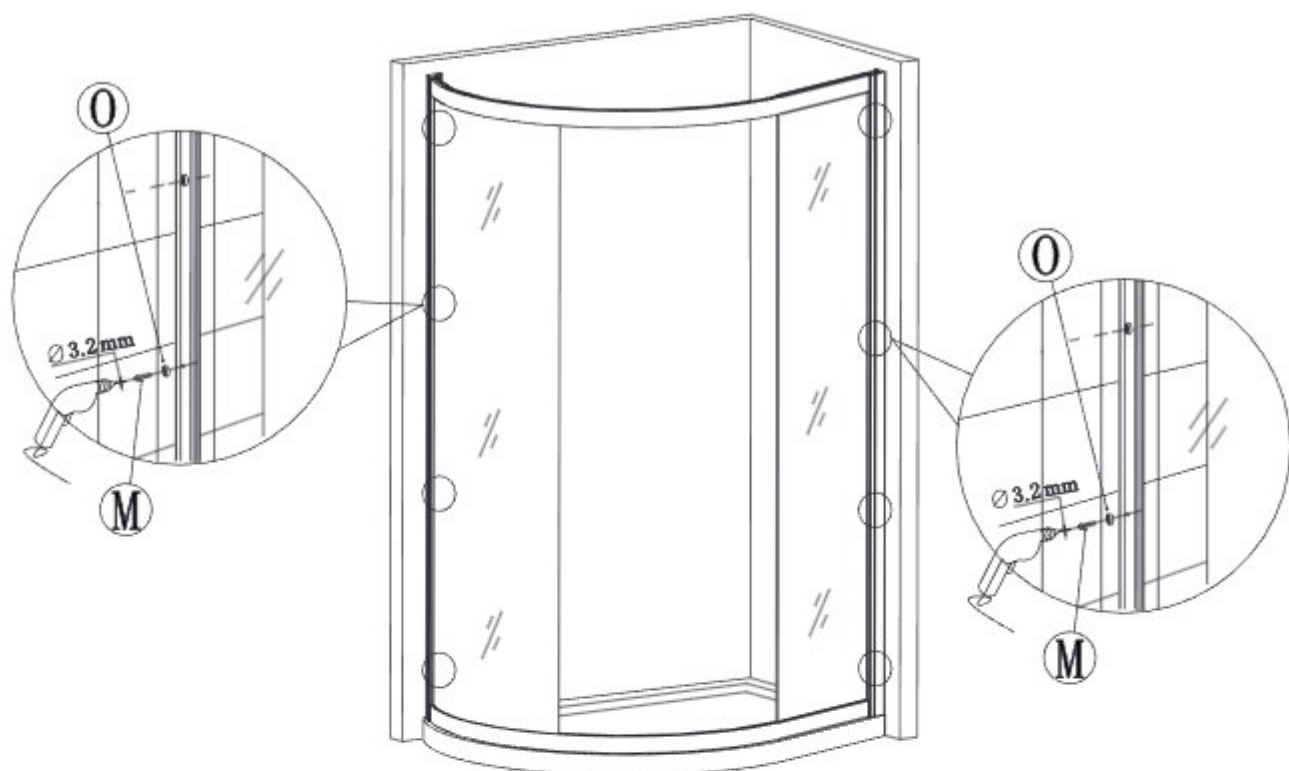
10



Adjust in profiles as required.

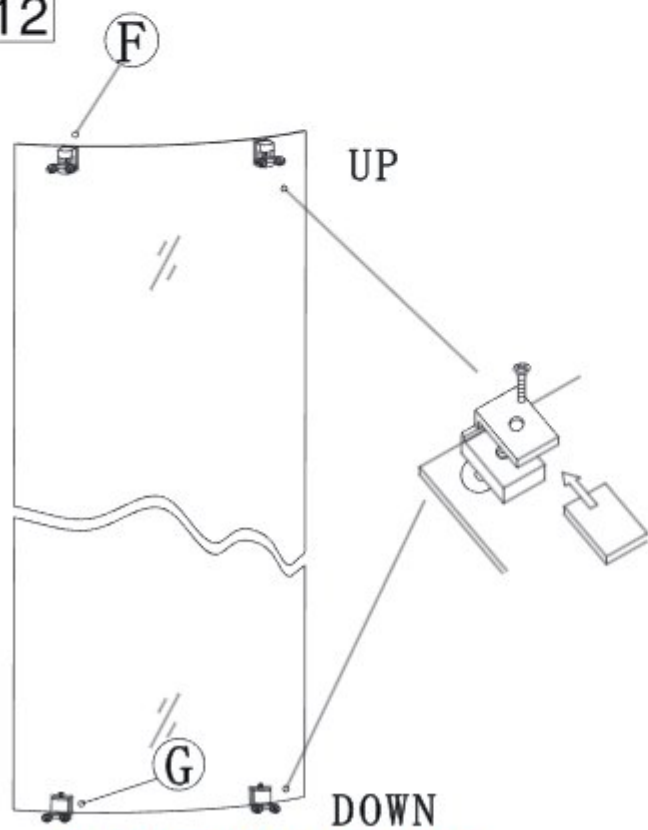
(6)

11



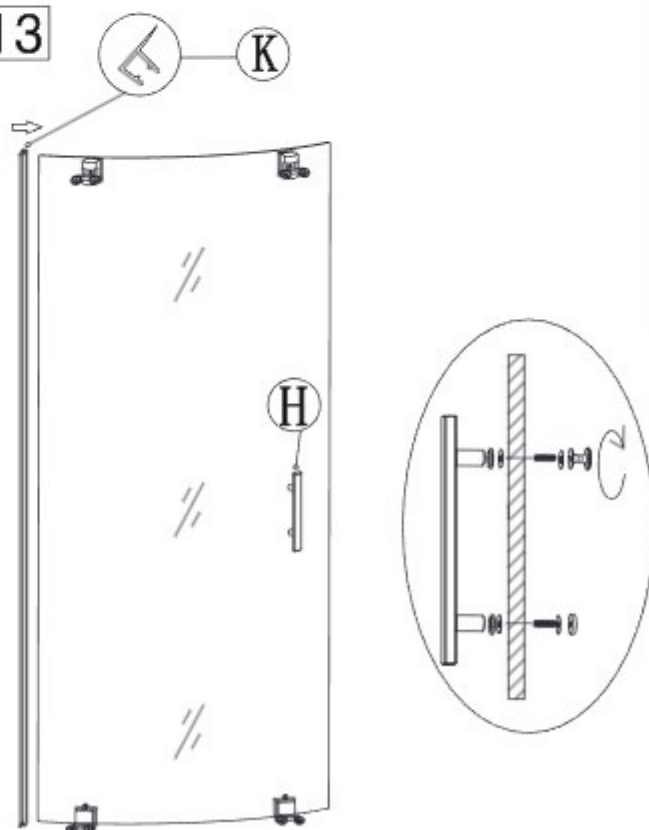
Drill frame with 3.2mm bit and secure to wall profiles with ST4*12 (M) screws and washer (O).

12



Fix rollers (F) to top of door.
Fix roller (G) to bottom.

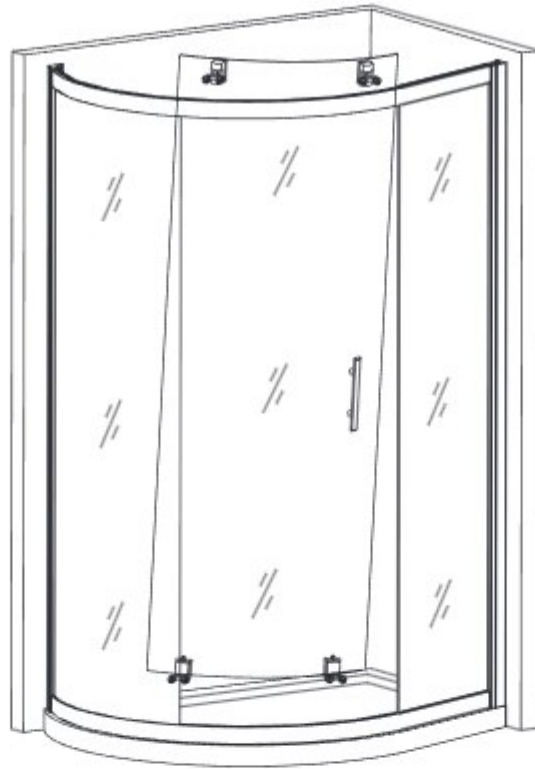
13



Attach handle (H) to glass and fit
anti-water strip (K).

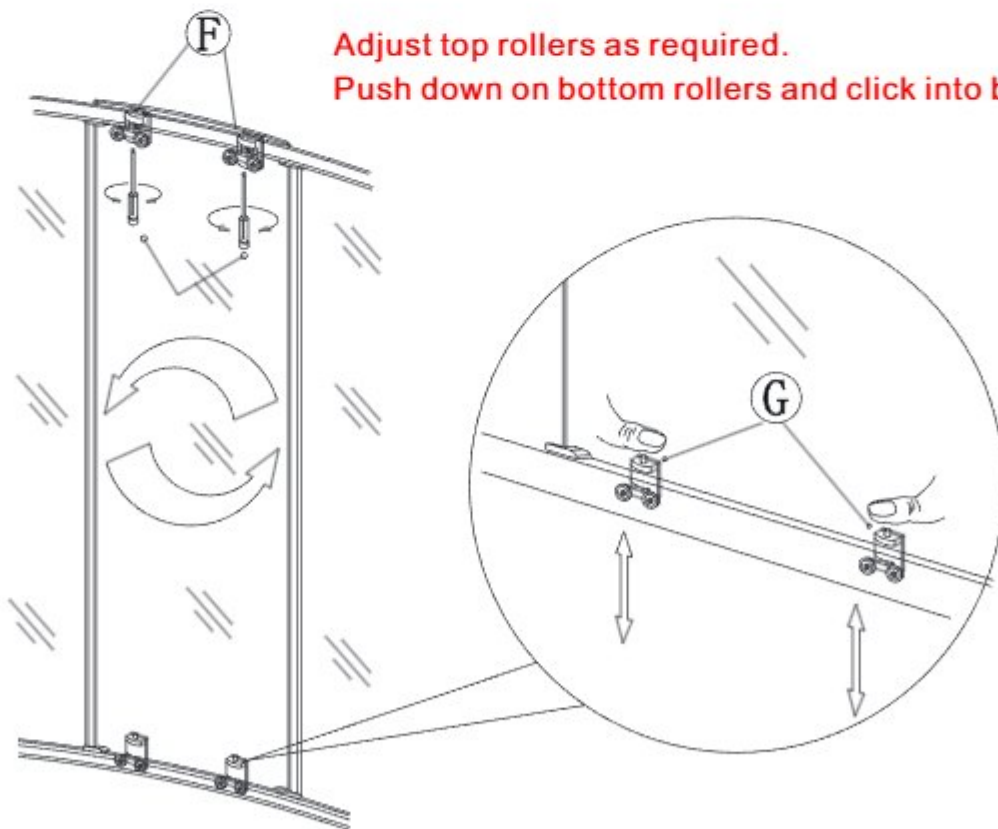
(7)

14



Lift top roller onto top rail.

15

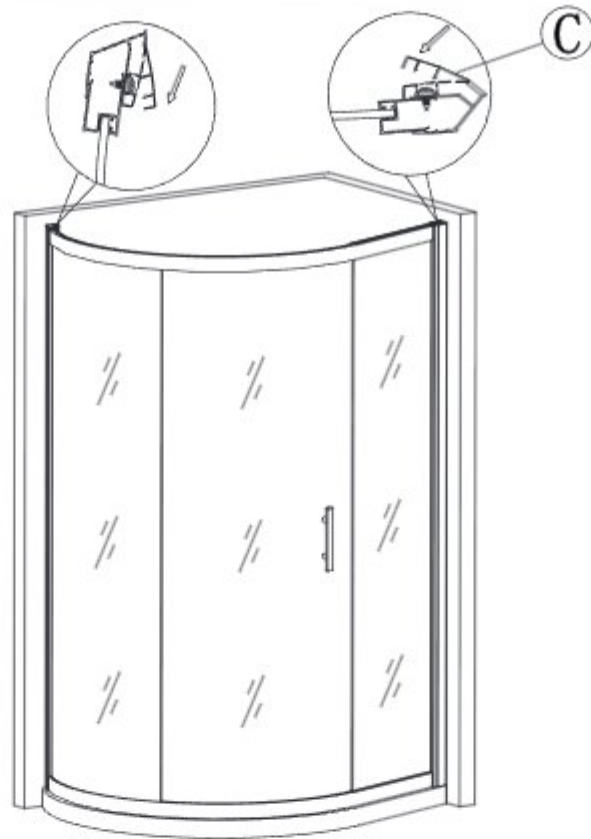


Adjust top rollers as required.

Push down on bottom rollers and click into bottom rail.

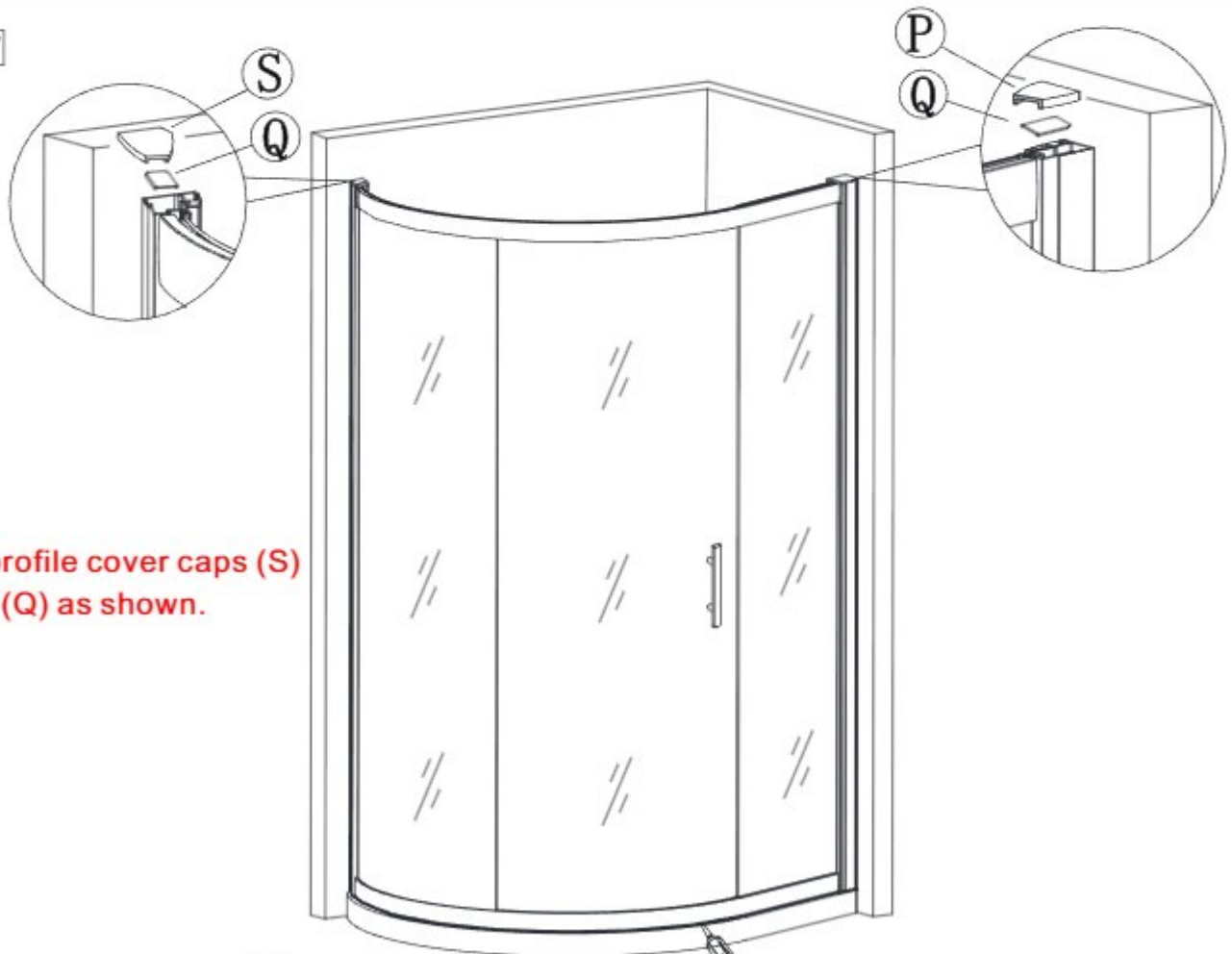
(8)

16



Clip screw cover profiles (C) onto washer (O).

17



Fit profile cover caps (S) and (Q) as shown.

Please ensure silicone sealant is on the outside only.

(9)

Cleaning & Maintenance

Don't clean the shower enclosure with irritant detergent such as alcohol, bleach or other chemical cleaners.

Only clean with warm soapy water.

After the installation and during the life of the enclosure, should you find that there is notable noise when the glass door moves, you may add a small quantity of silicone lubricant onto the roller wheels and the track.

Helpline: 01452317890

Mon - Fri 8:00 - 5:00