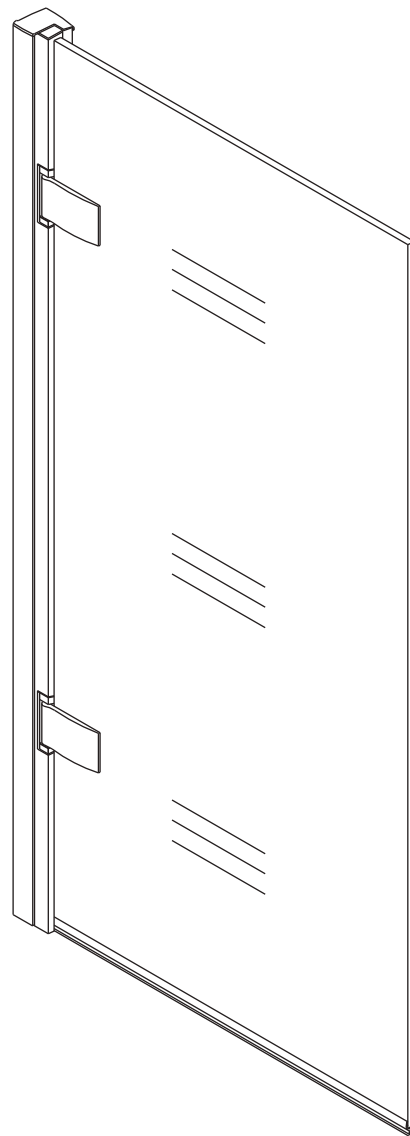


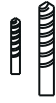
INSTALLATION MANUAL



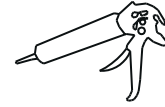
TOOLS REQUIRE



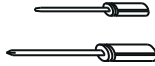
Pencil



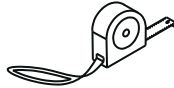
($\phi 6 \phi 3.2$) bit drill



Silicone gun



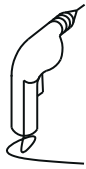
Flat and cross screwdriver



Tap measure



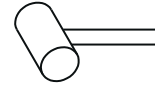
Level ruler



Drill machine

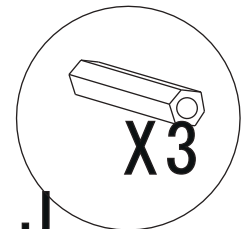
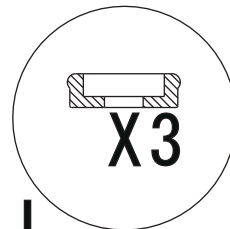
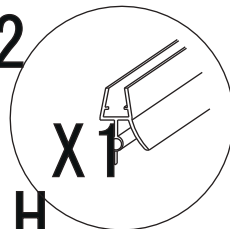
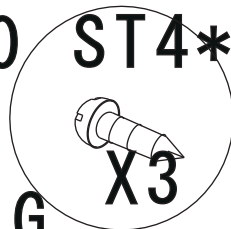
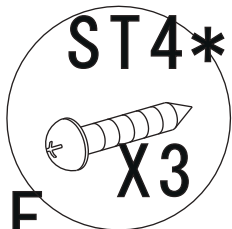
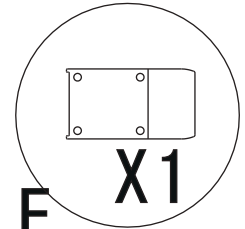
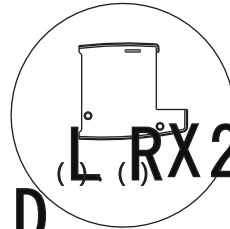
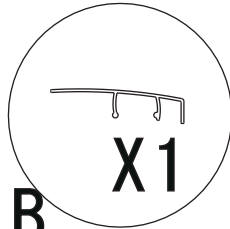
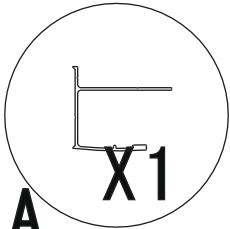


Spanner

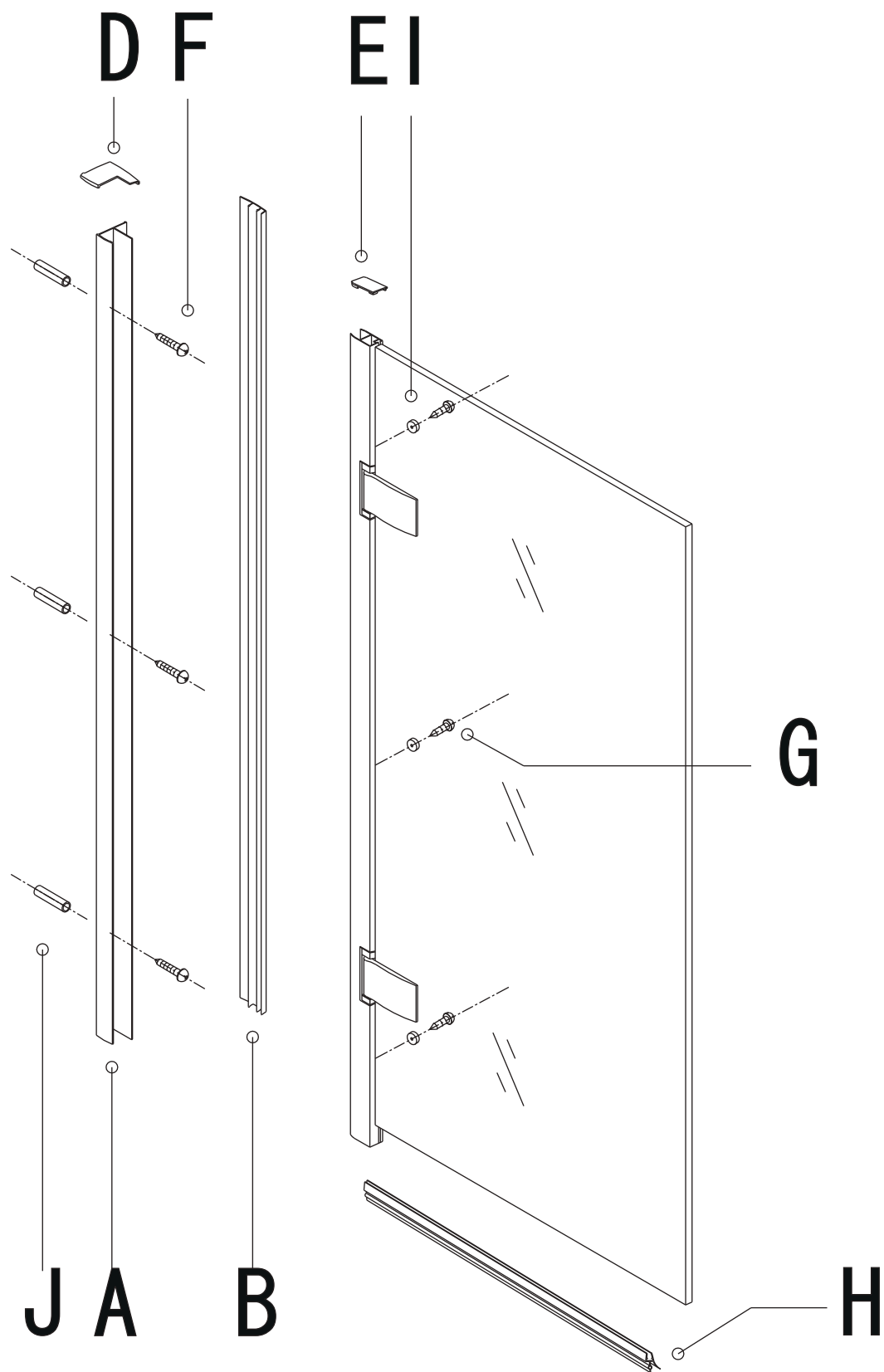


Rubber hammer

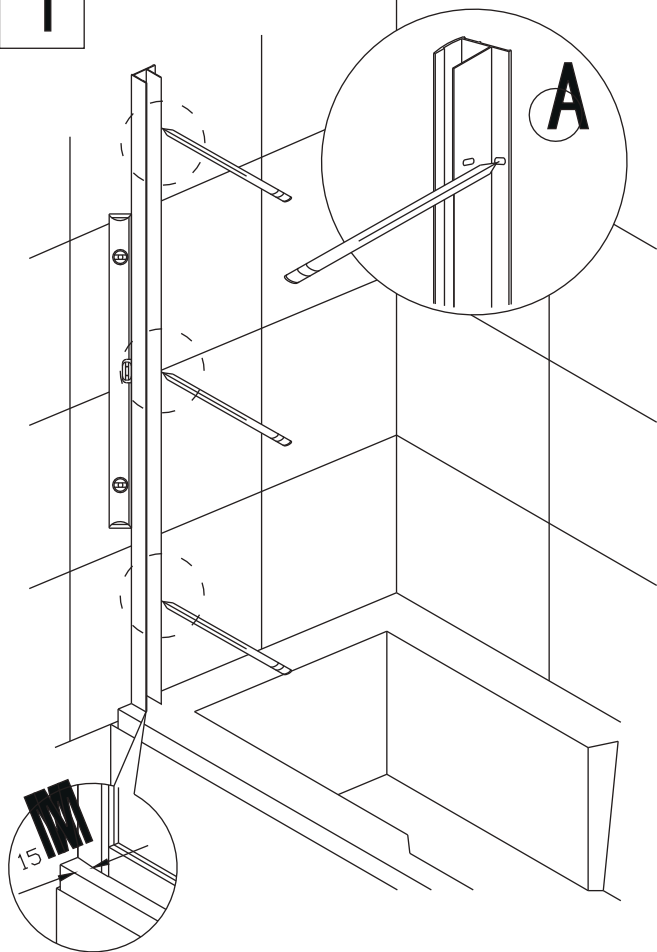
PACKING LIST



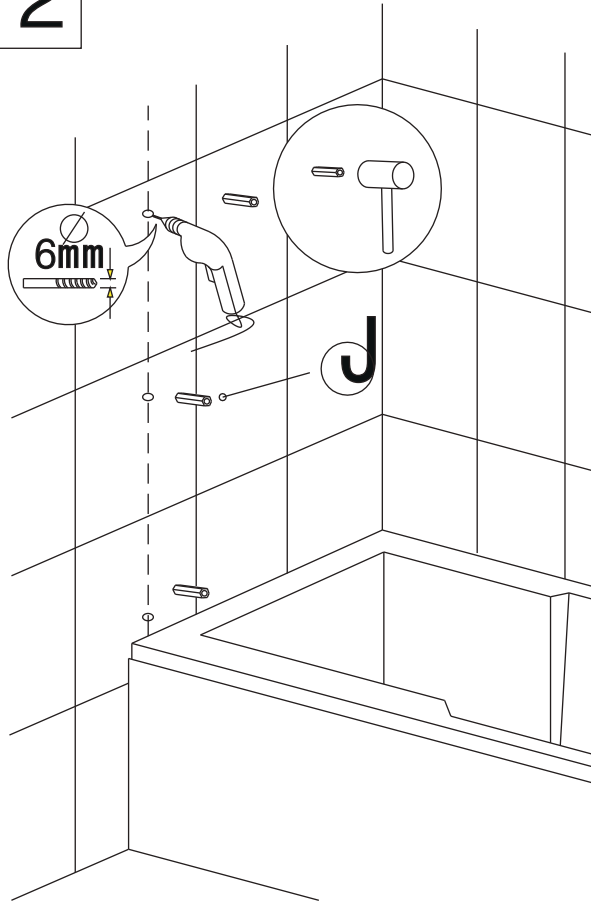
PRODUCT SCHEMATIC DIAGRAM



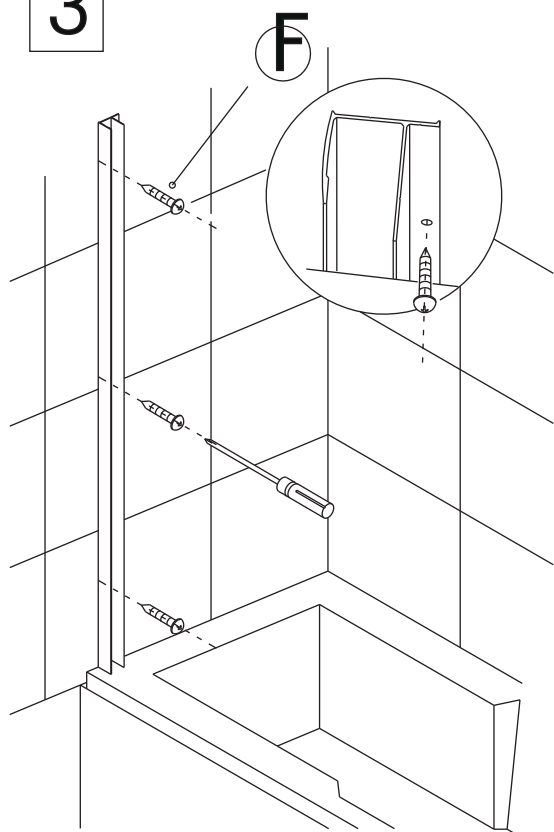
1



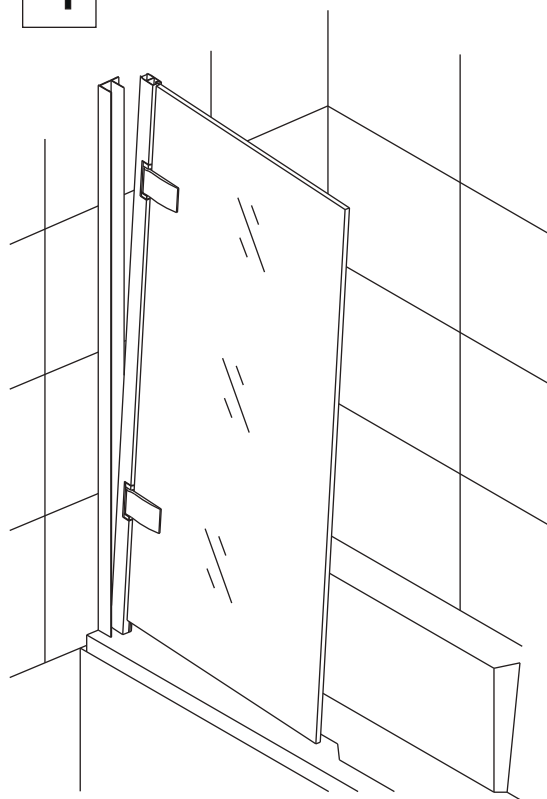
2



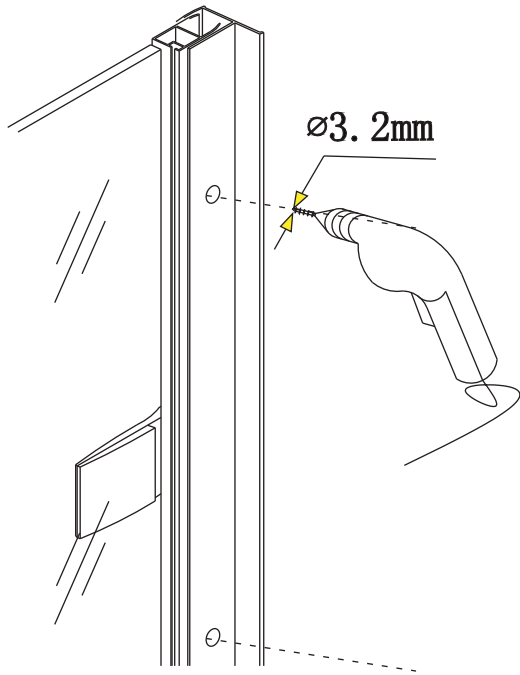
3



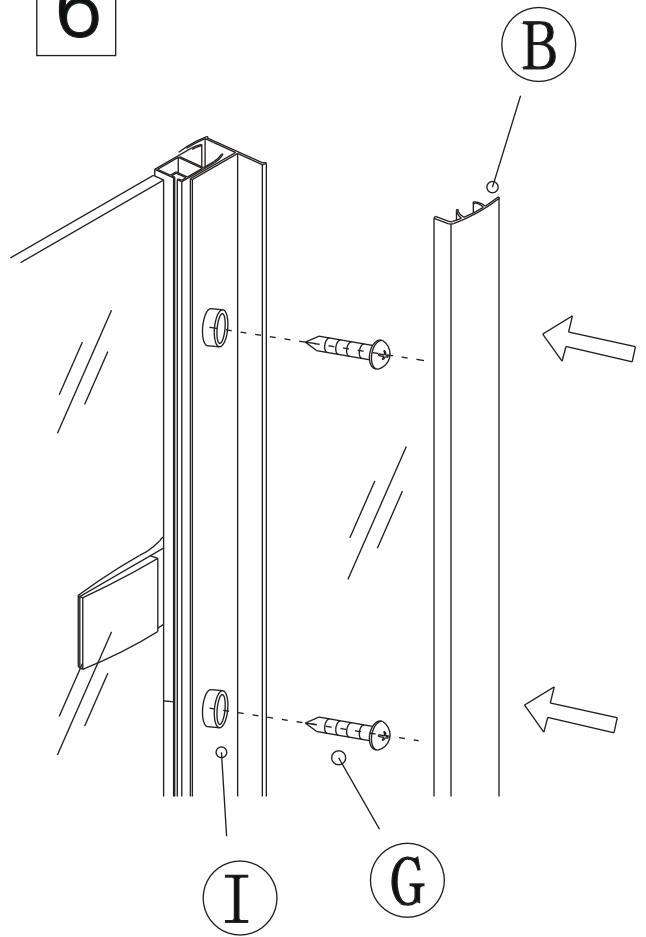
4



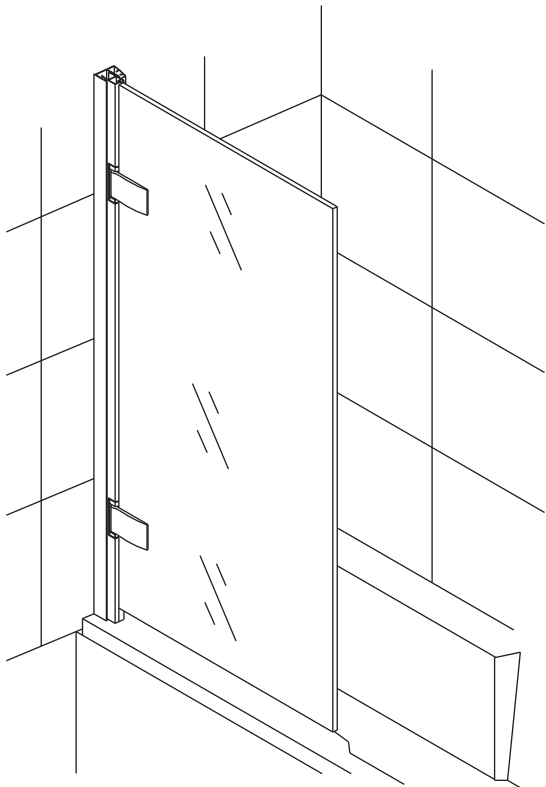
5



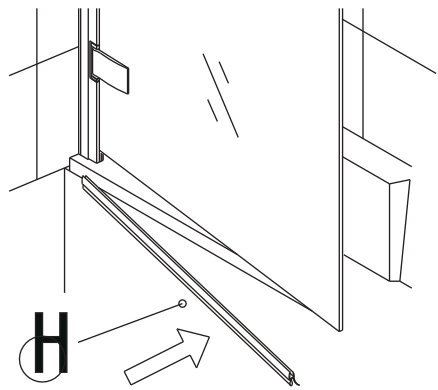
6



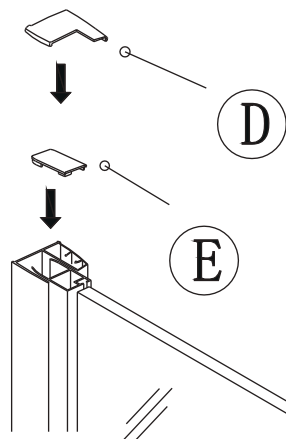
7



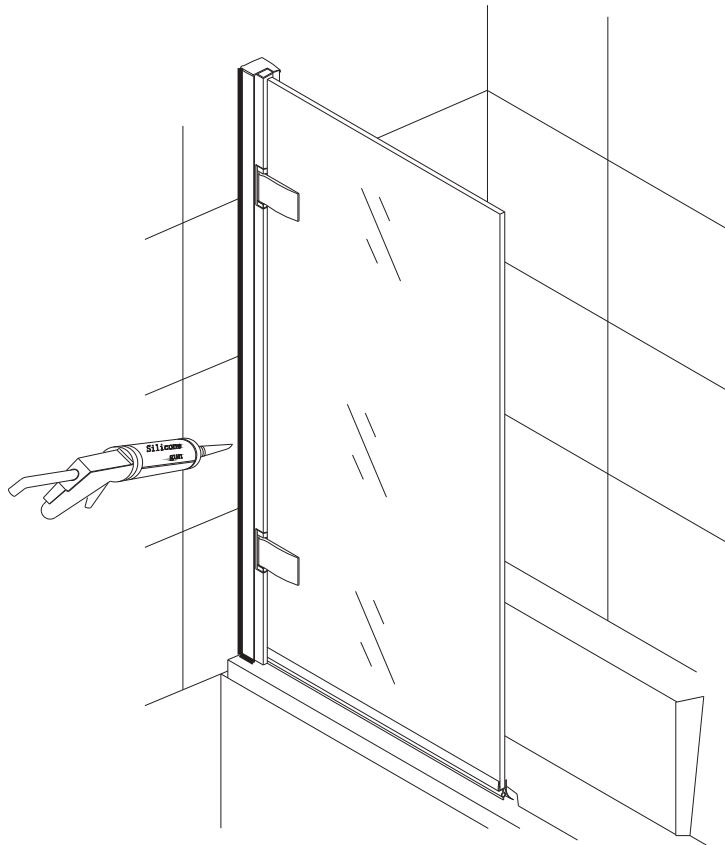
8



9

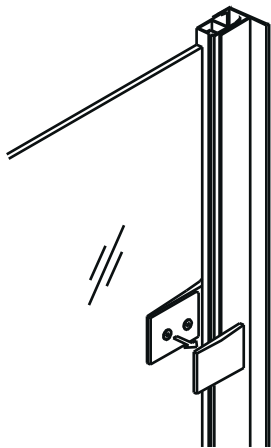


10



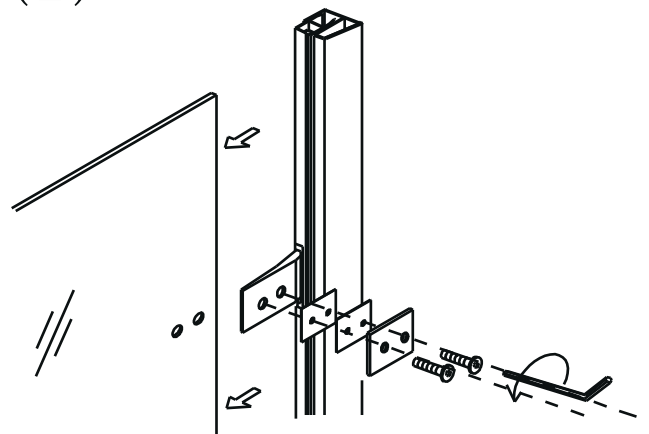
Reverse Handing Instruction

(1)



Take off the cap from the hinge

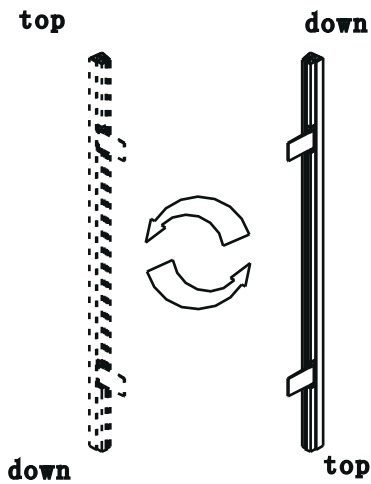
(2)



Unscrew the screws, and take the glass out of hinge

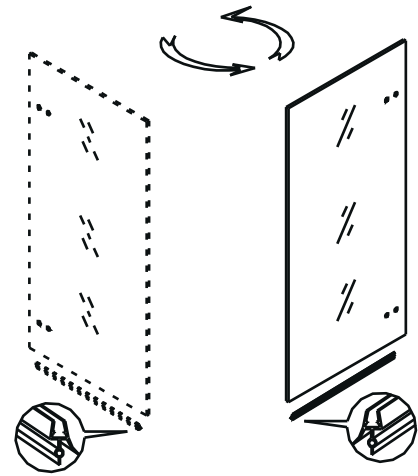
(3)

(3)



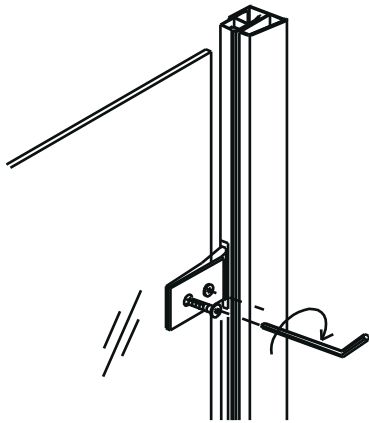
Reverse the top and bottom of the profile

(4)



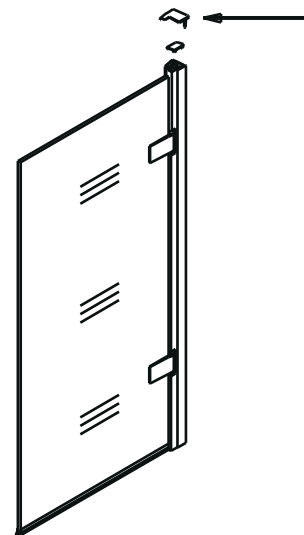
Reverse the glass 180°

(5)



Reinstall the hinge and glass

(6)



This part is handed. And both LH and RH are included in the packing.

Cleaning & Maintenance

Don't clean the shower enclosure with irritant detergent such as alcohol, bleach or other chemical cleaners.

Only clean with warm soapy water.

After the installation is completed, should you find that there is notable noise when the glass door moves, you may add a small quantity of lubricant onto the roller wheel, slipping hook and the track.

Helpline: 01452 317890

Please ensure silicone sealant is on the outside only.