

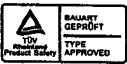
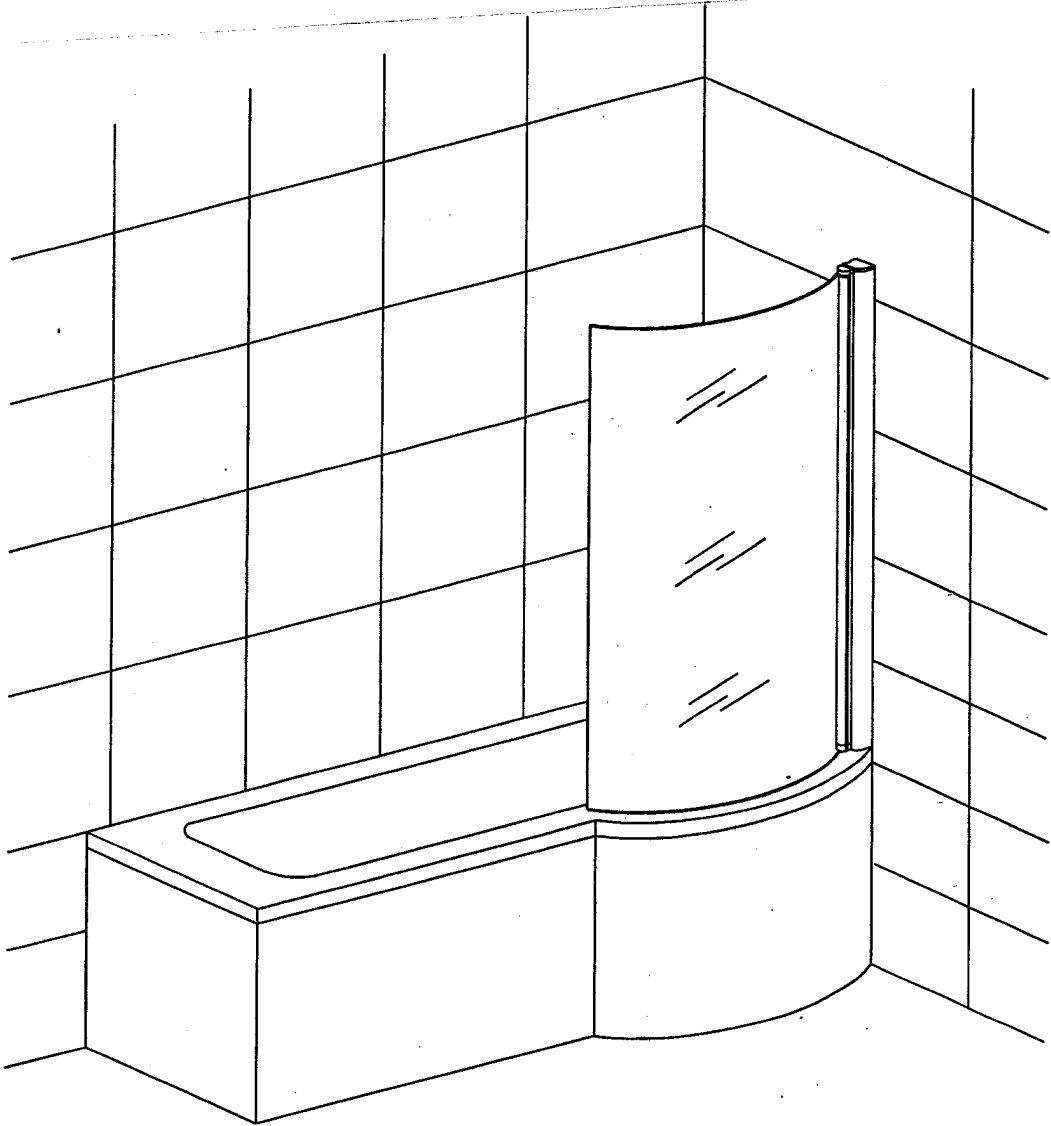


Eastbrook Road, Gloucester GL4 3DB  
Technical Helpline: 01452 317890  
email: technical@eastbrookco.com

# INSTALLATION MANUAL

## ARC SHOWERSCREEN

Eastbrook Code	Adjustment
58.713	790-810



# TOOLS REQUIRE



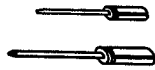
Pencil



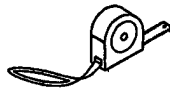
(ø6,ø3.2)bit drill



Silicone gun



Flat and cross  
screwdriver



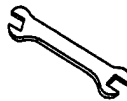
Tap measure



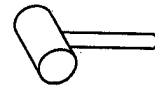
Level ruler



Drill machine

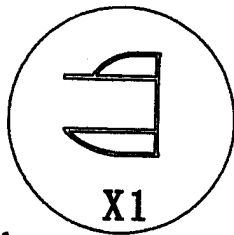


Spanner

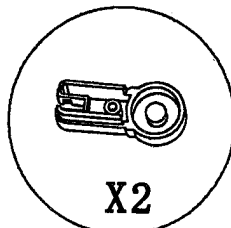


Rubber hammer

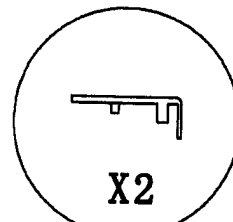
# SPARE PARTS



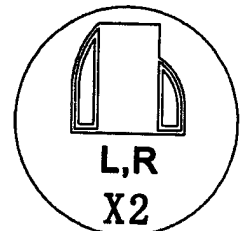
A



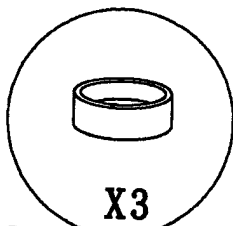
B



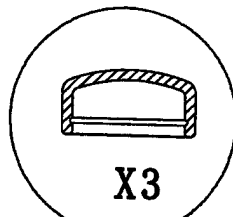
C



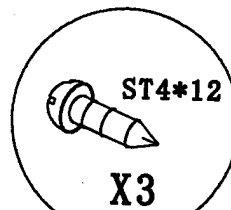
D



E



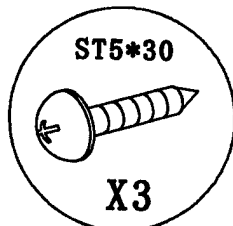
F



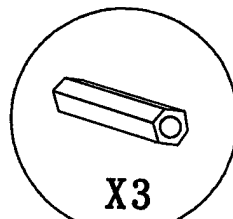
G



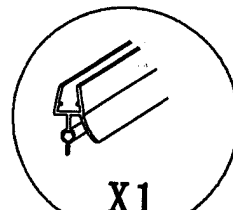
H



I



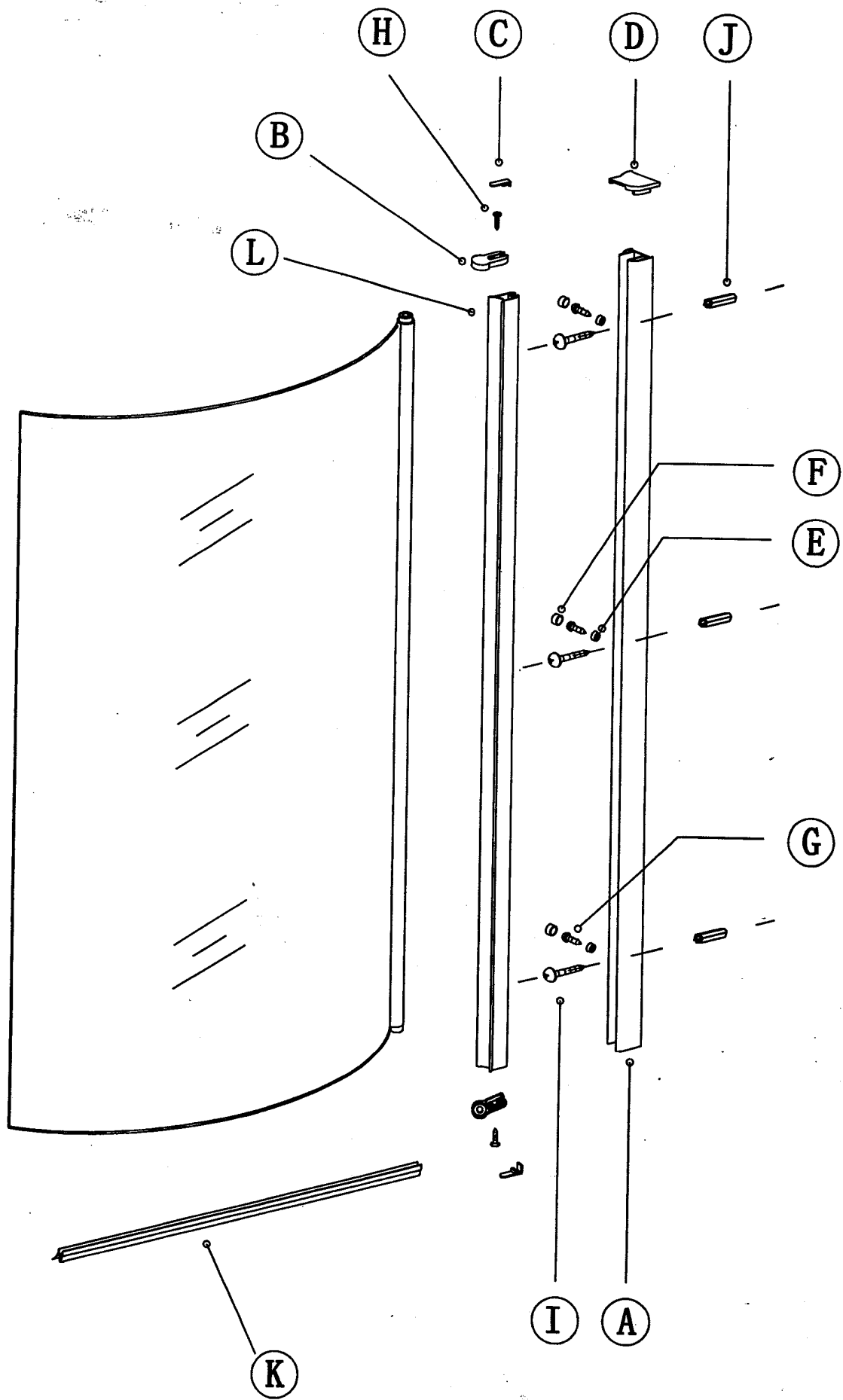
J



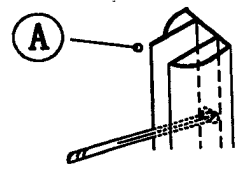
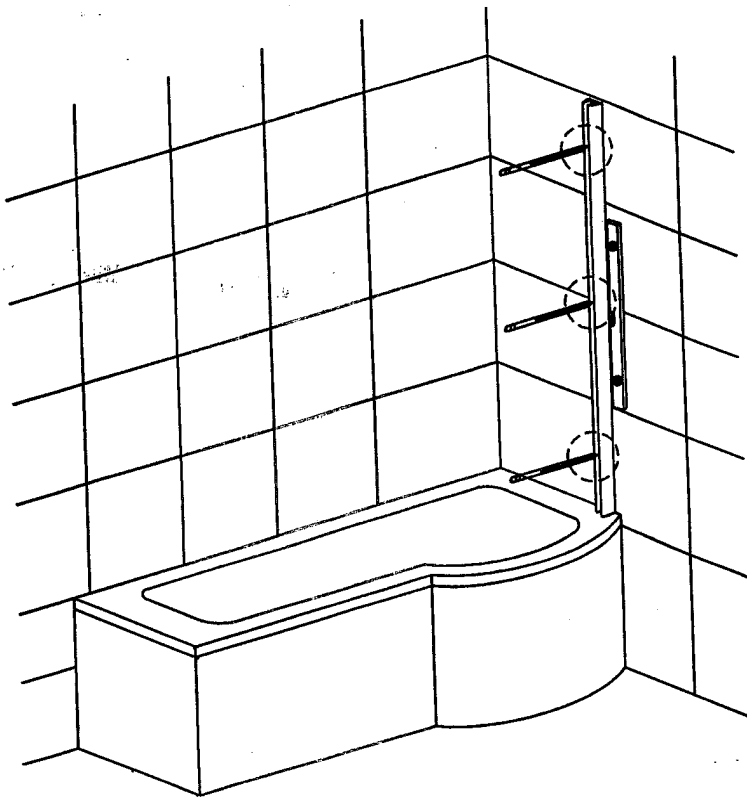
K



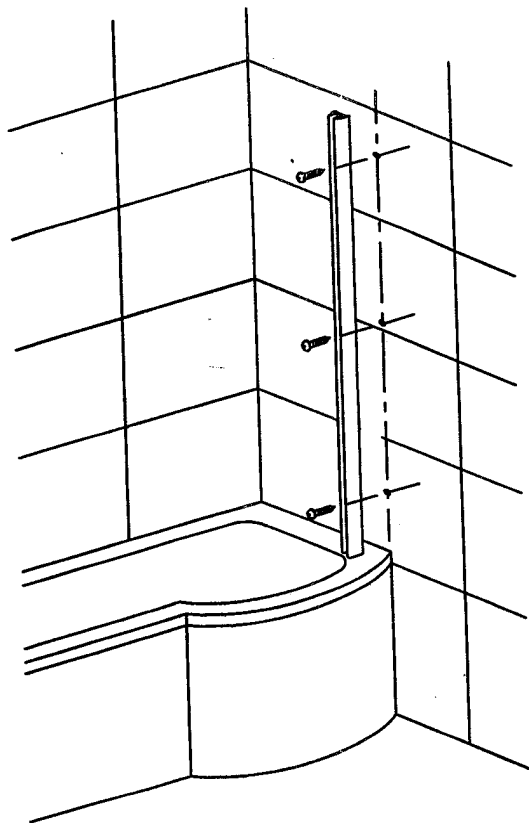
L



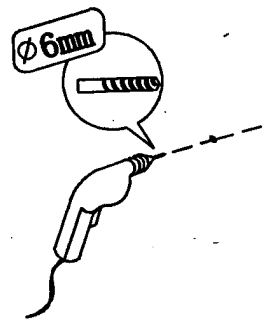
1



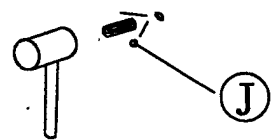
2



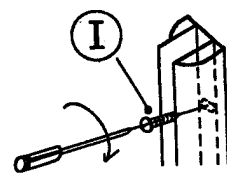
a



b

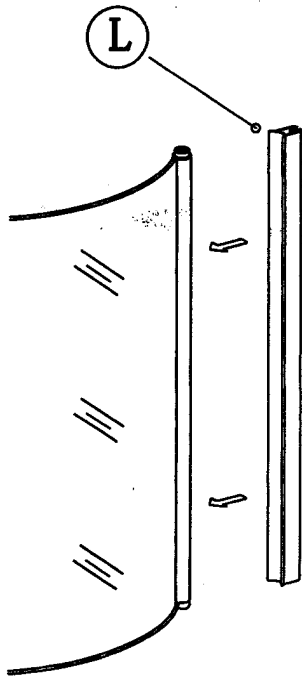


c

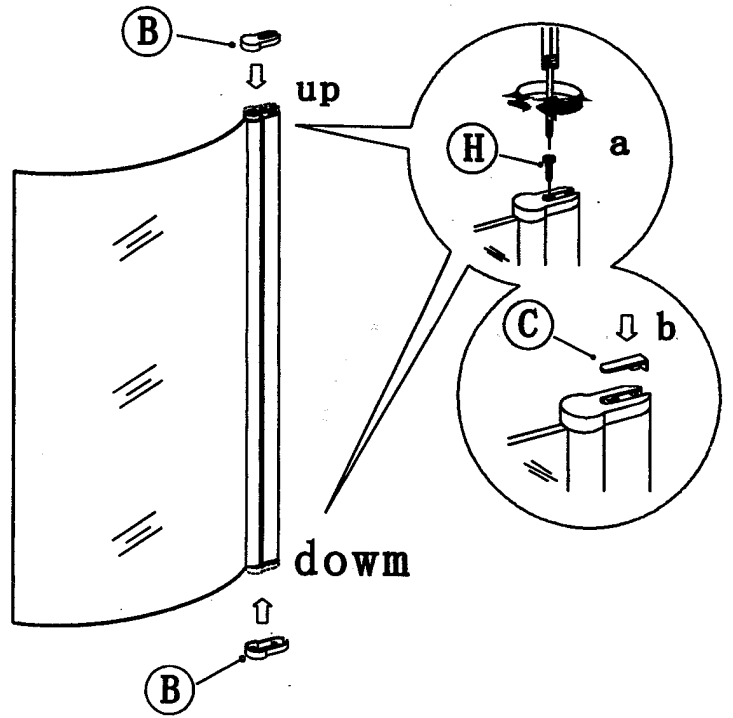


(1)

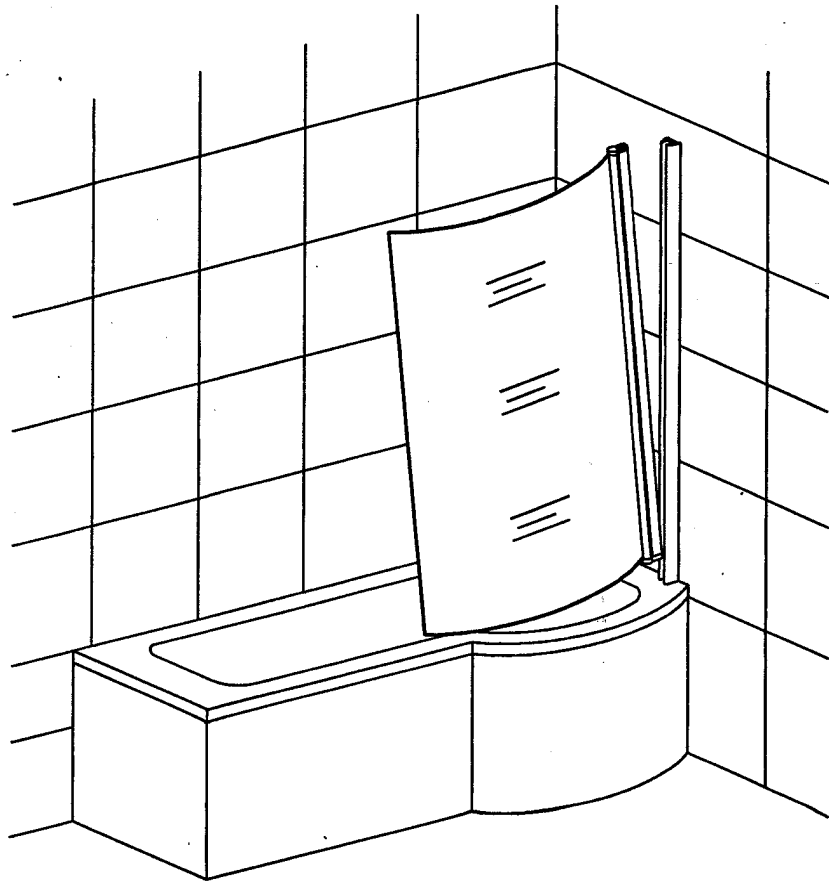
3



4

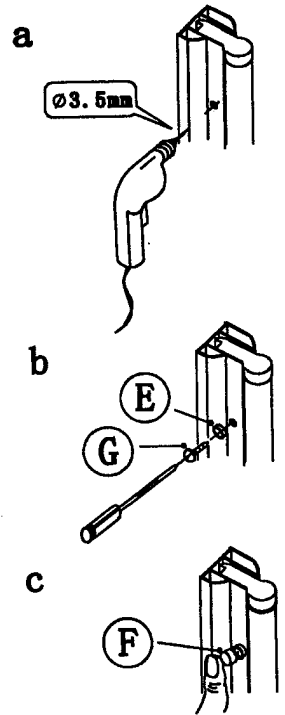
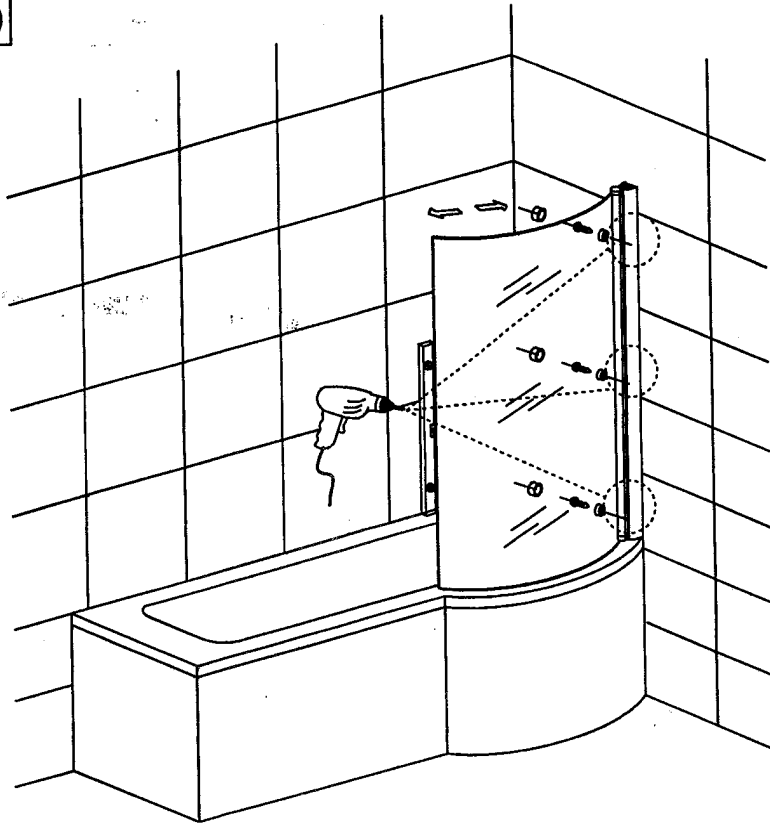


5

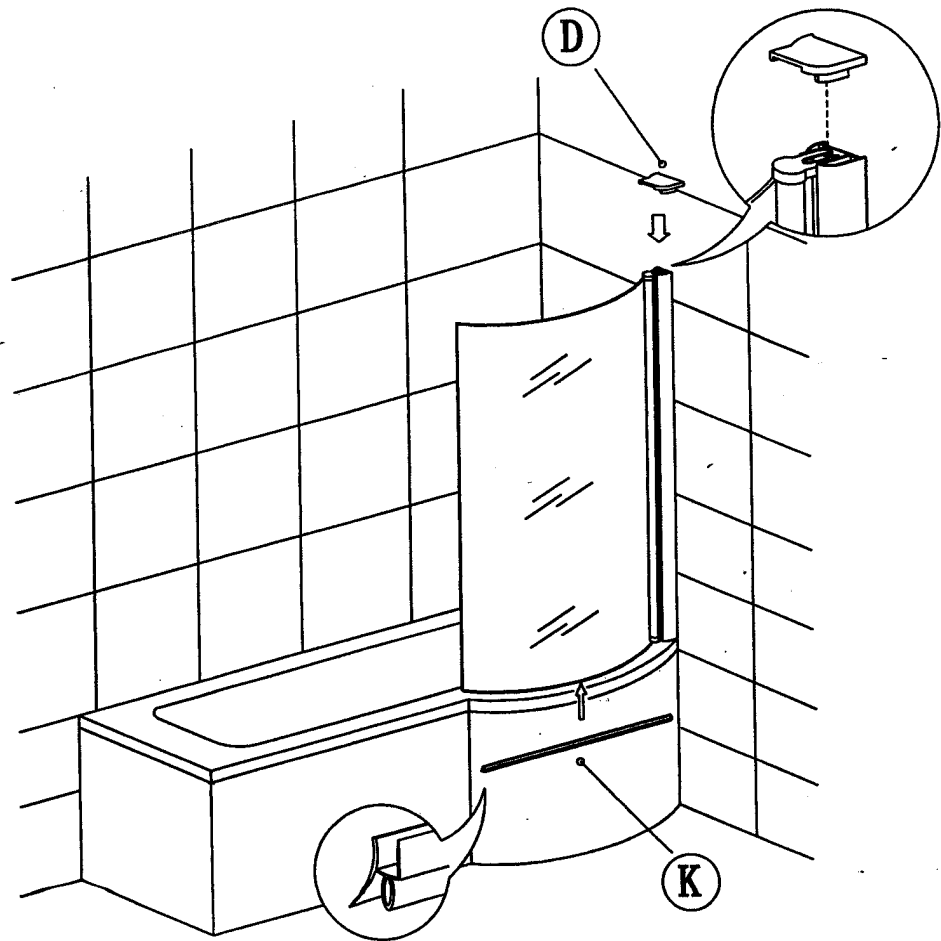


(2)

6

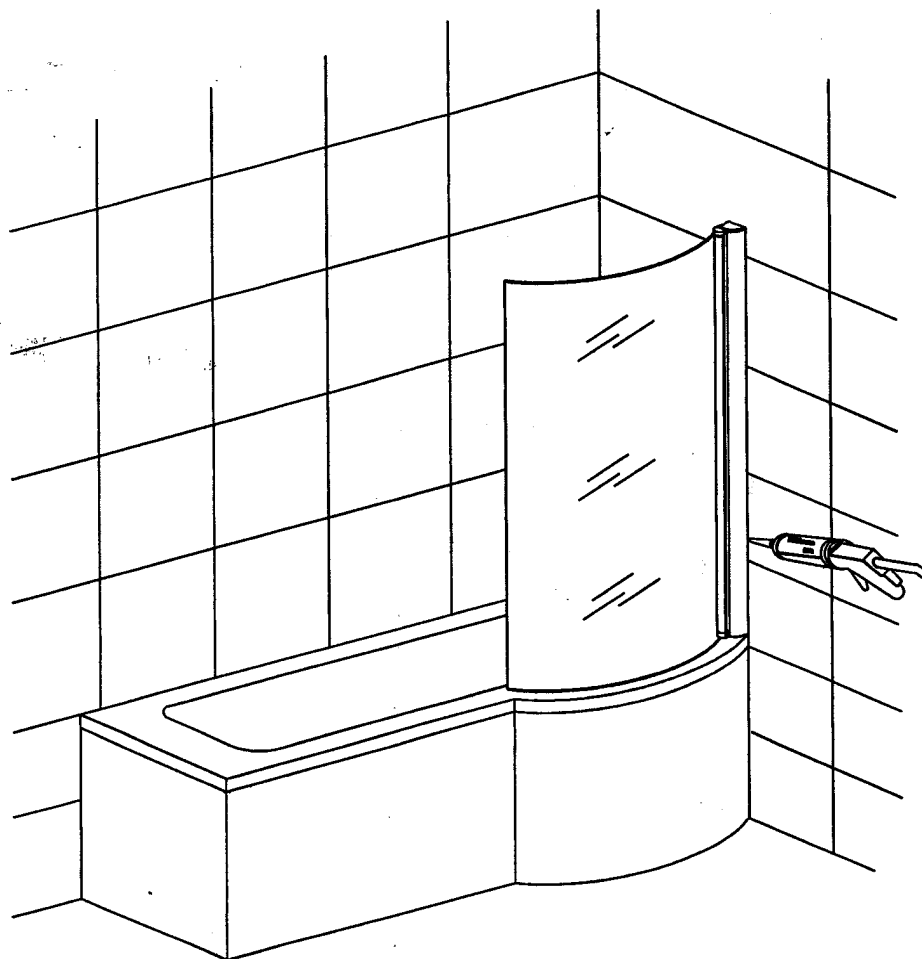


7



(3)

8



### Cleaning & Maintenance

Don't clean the shower enclosure with irritant detergent such as alcohol, bleach or other chemical cleaners.

Only clean with warm soapy water.

After the installation is completed, should you find that there is notable noise when the glass door moves, you may add a small quantity of lubricant onto the roller wheel, slipping hook and the track.

Helpline: 01452317890

Please ensure silicone sealant is on the outside only.