

INLINE PANEL



IMPORTANT

Thank you for choosing Merlyn. Please familiarise yourself with the fitting instructions before commencing fitting.

1. Check that you have the tools required.
2. Check that the installation site is compatible with size of door supplied
3. Check all the enclosure components.
4. Check that the installation kit is complete

DO NOT attempt to install the product unless you can tick ALL 4 boxes as satisfactory.

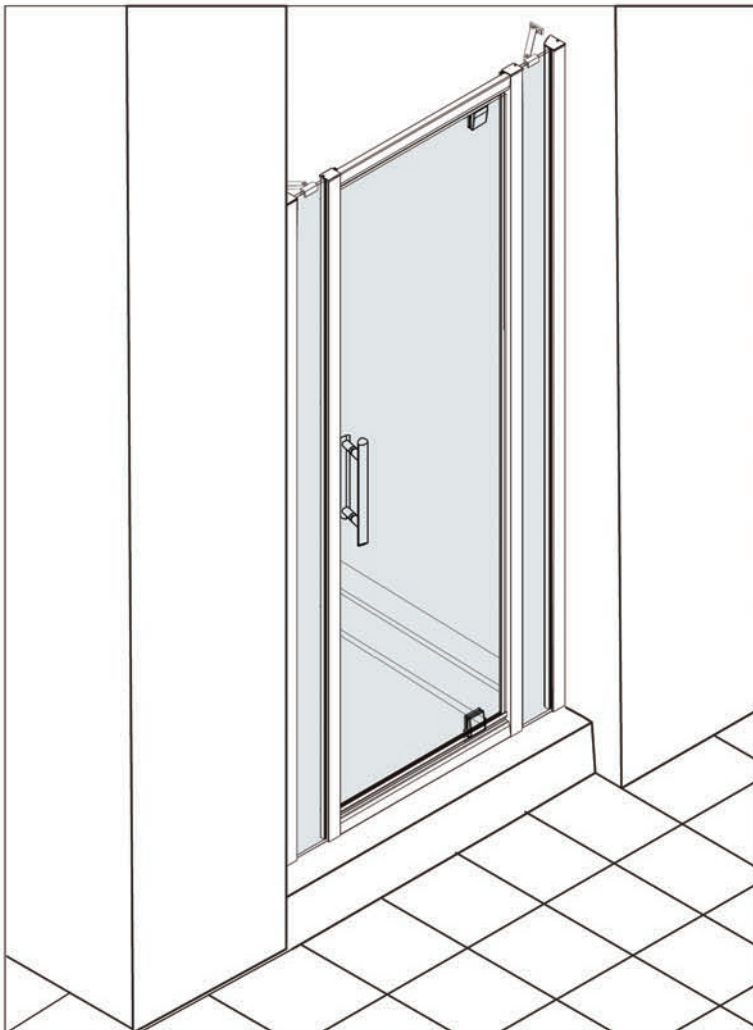
The wall plugs supplied with the installation kit are for use in solid walls. Hollow or 'stud-partition' walls will require alternative fixings. Please consult a hardware supplier for the correct type.

It may also be necessary to consult your tiling supplier about the correct method for drilling your tiles.

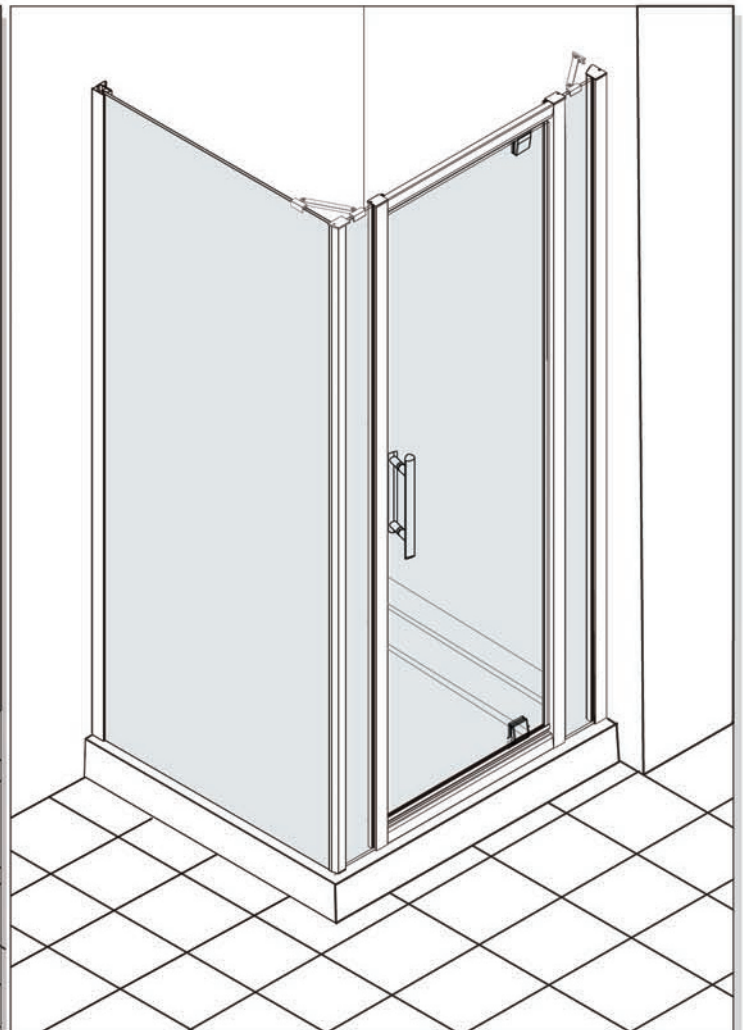
USE SAFETY EYEWEAR WHEN DRILLING

Any parts missing or damaged must be reported to your supplier within 5 days of purchase. Inspect shower enclosure before fitting. No claims will be acceptable after product has been installed.

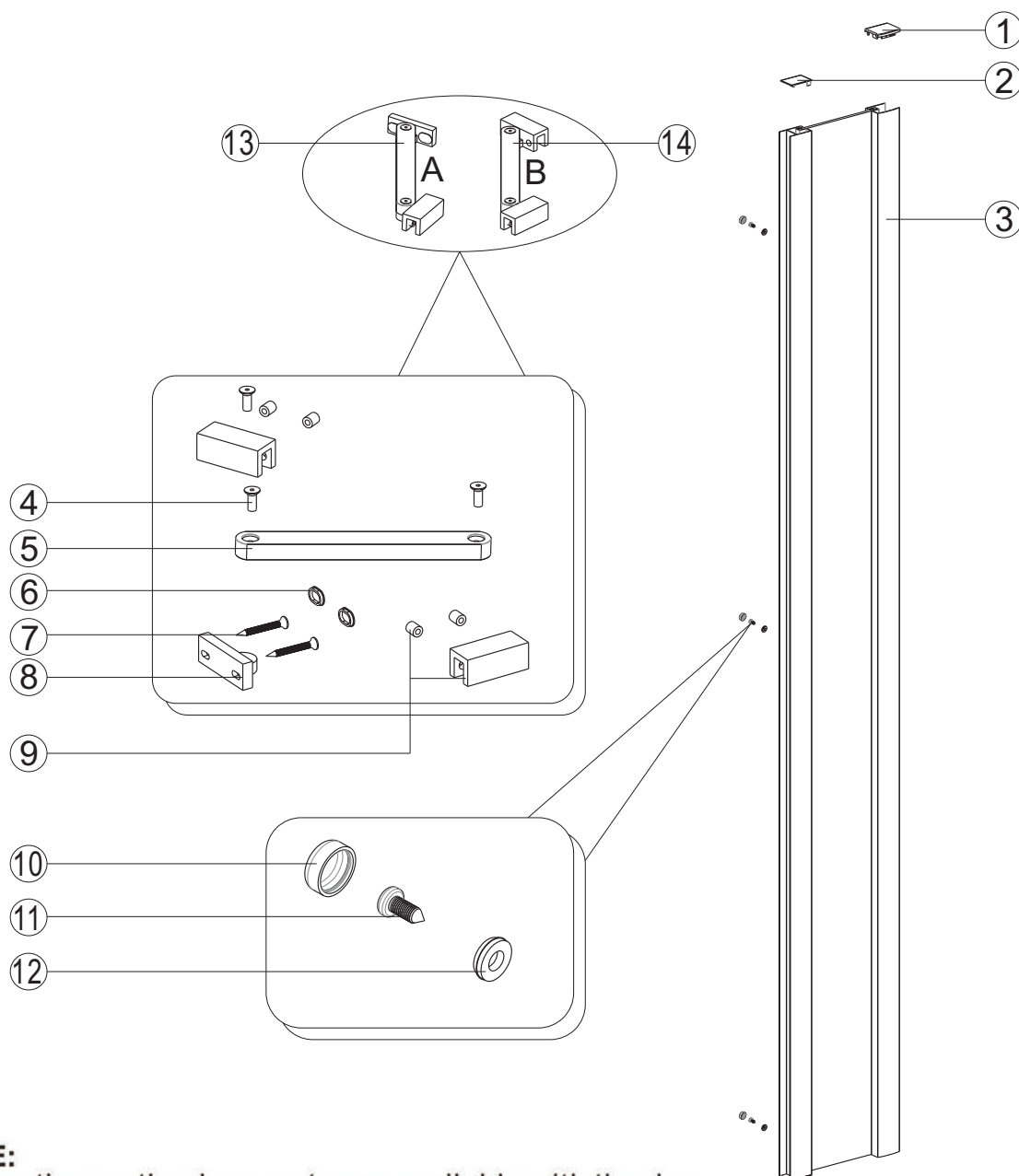
With pivot door



With pivot door and side panel



M049-00



NOTE:

Information on the door parts are available with the door installation guide-this also includes the wall profile.

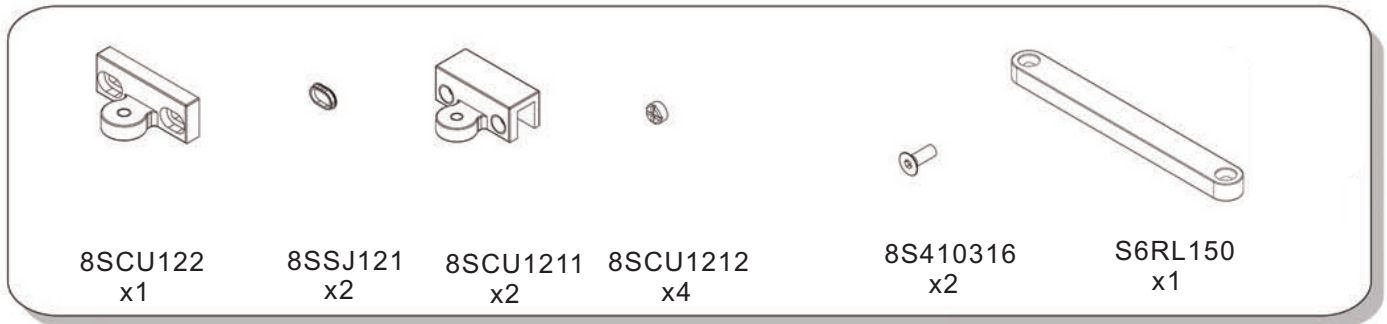
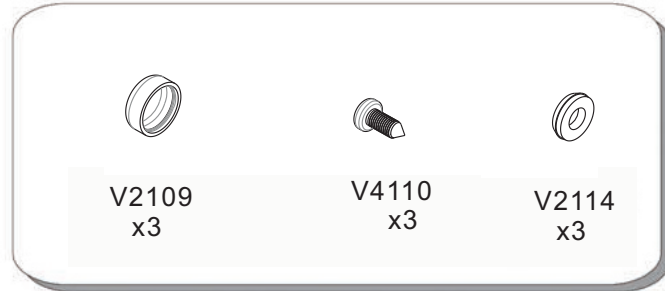
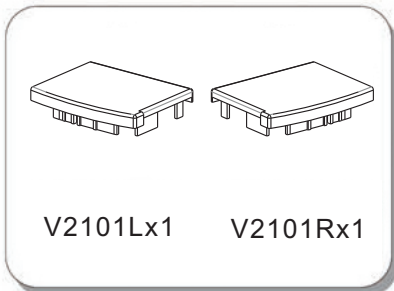
The wall profile used in fitting the inline panel is taken from the door box.

Further part details for fixing kit available on Page 2.

No.	Description	Qty	Code	No.	Description	Qty	Code
1	Upright profile top cover cap	1 L,1 R	V2101L/R	9	Top rail glass clamp	2	8SCU121
2	Cap for adjusting profile	1	S61098	10	Screw cover cap	3	V2109
3	Inline panel	1	A	11	B head screw ST4x12	3	V4110
4	Inline top rail fixing screw	2	8S410316	12	Screw cover clip	3	V2114
5	Top bar	1	S6RL150	13	S6+ inline top rail A	1	S6LG811
6	Cap for top rail wall bracket	2	8SSJ121	14	S6+ inline top rail B	1	S6LG812
7	B head screw	2	V4111	15			
8	Wall bracket	1	8SCU122	16			

Fixing Kit components

Note: other parts required are in the door fixing kit



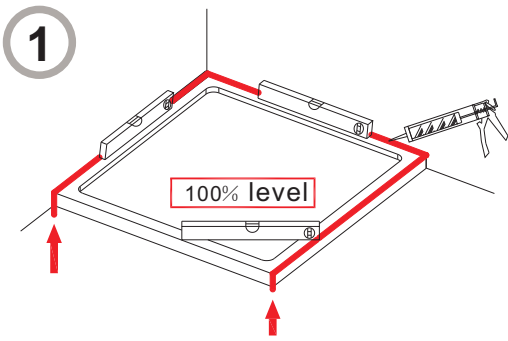
Tools Required

- 6mm masonry drill bit
- Spanner
- Power drill
- Quality Silicone
- Pencil
- Tape Measure
- #2 Philips Head screw driver
- Spirit level with horizontal and vertical level indicators

IMPORTANT - Installation site

1. Ensure the top surface of the shower tray on which the enclosure will be installed is level in every direction.
2. The tiles or other wall finishing should be effectively sealed at the tray edges.
3. Tiles should extend at least to the corners of the tray and a minimum of 2.0 metres from the top of the tray.

PROCEDURE



TRAY MUST BE 100% LEVEL IN ALL DIRECTIONS

Ensure the shower tray is level in all directions and is properly sealed to the wall. The wall must be tiled down to the top edge of the tray. **Do not angle out bottom tile.**

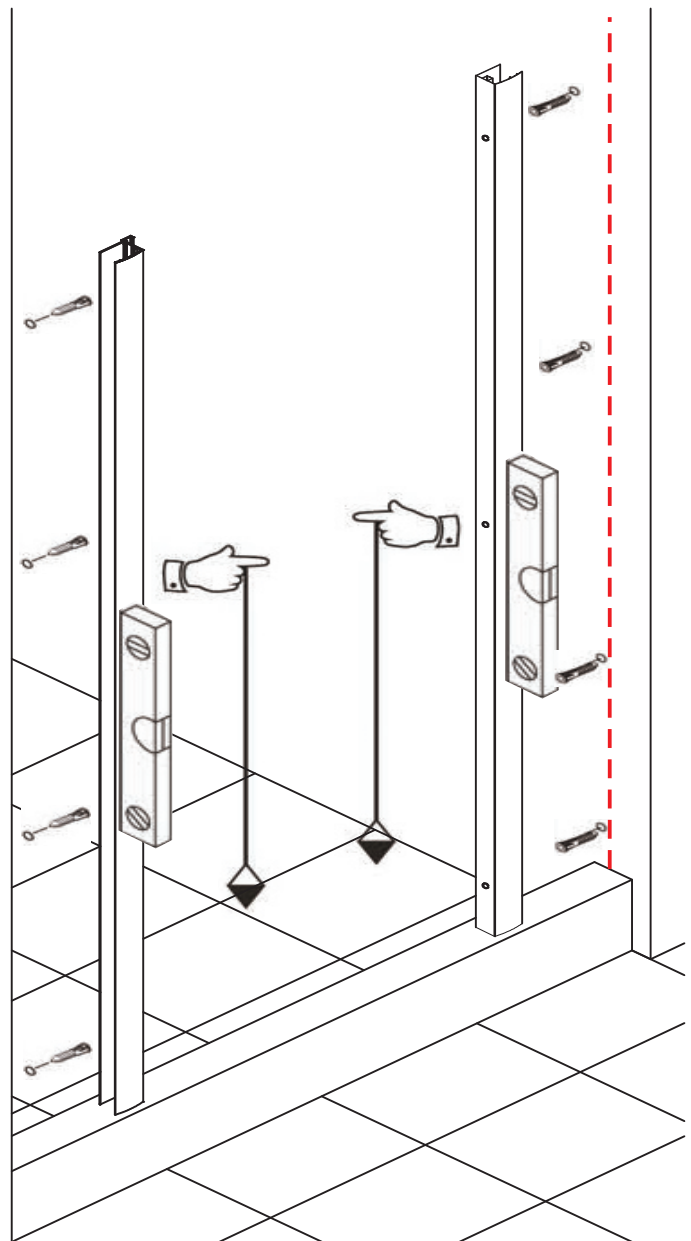
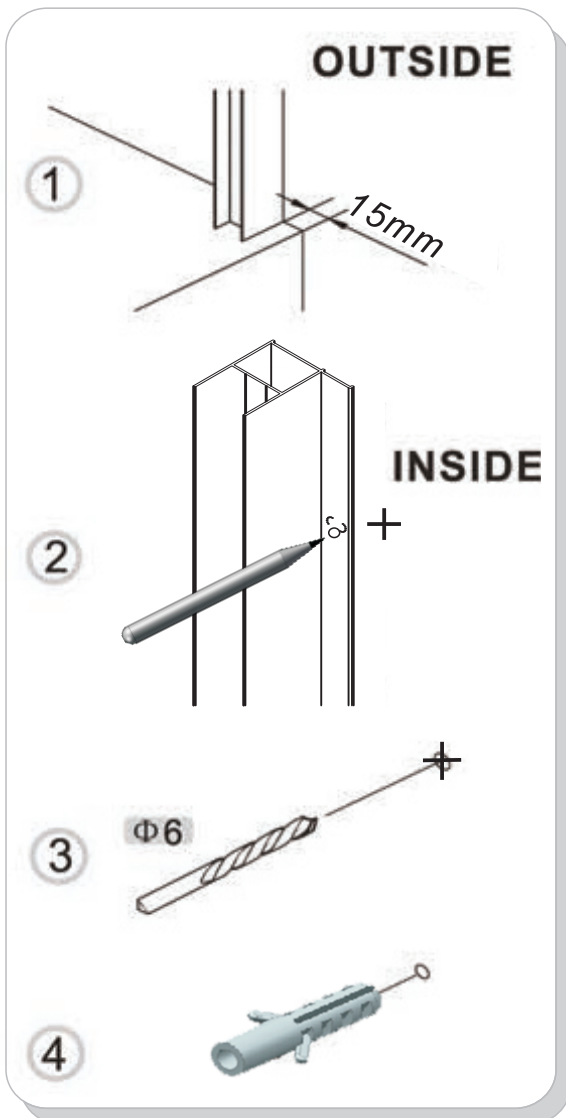
TRAY MUST BE SEALED FULLY AROUND WHERE THE TRAY MEETS THE WALL.

Step 1.

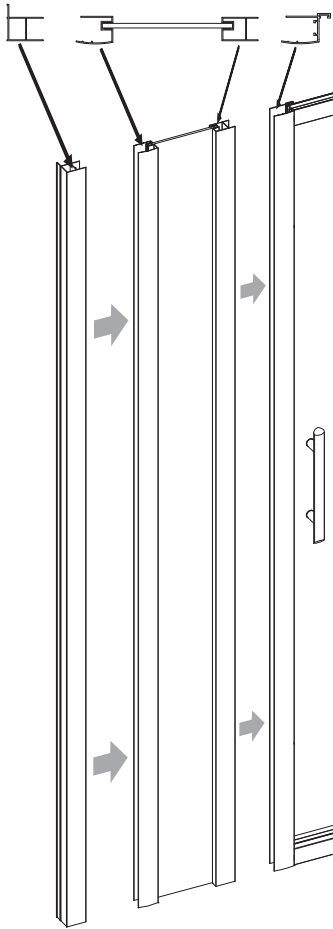
Step in wall profile 15mm from the front edge of the shower tray. Ensure wall profile plumb **Do not silicone behind wall profile to wall, see sealing section.**

Step 2.

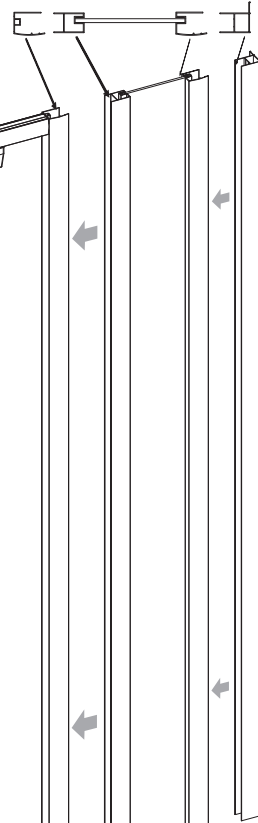
Mark the position for fixing the wall profile to wall. **(Do not fix the wall profile yet)**



3A



4



Step 3

Insert the inline panels into wall profiles (3A) or side panel(3B).

Step 4

Place the door on the tray and slot into the inline panels.

Step 5

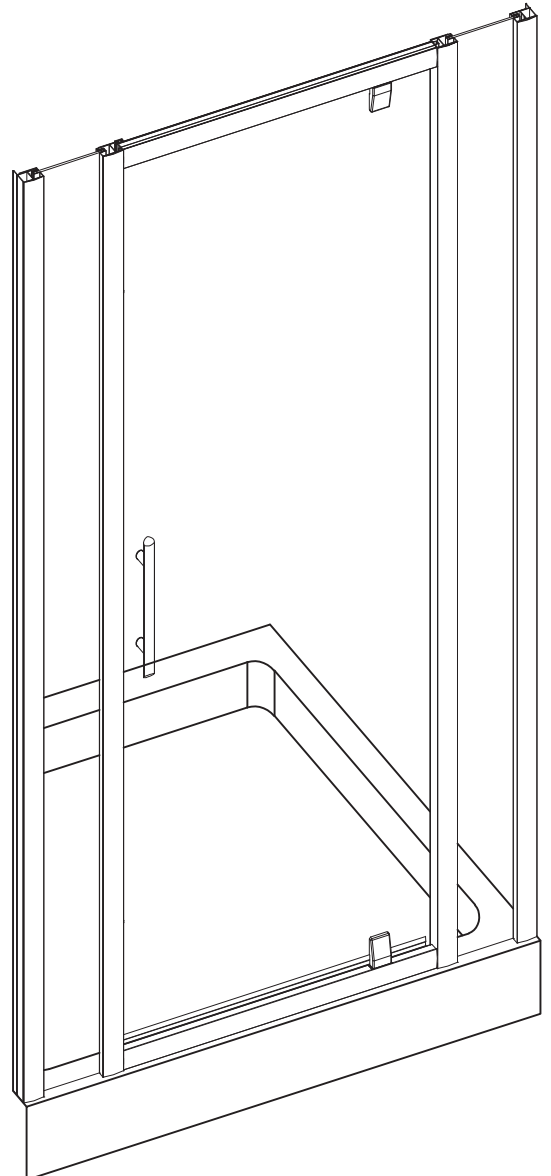
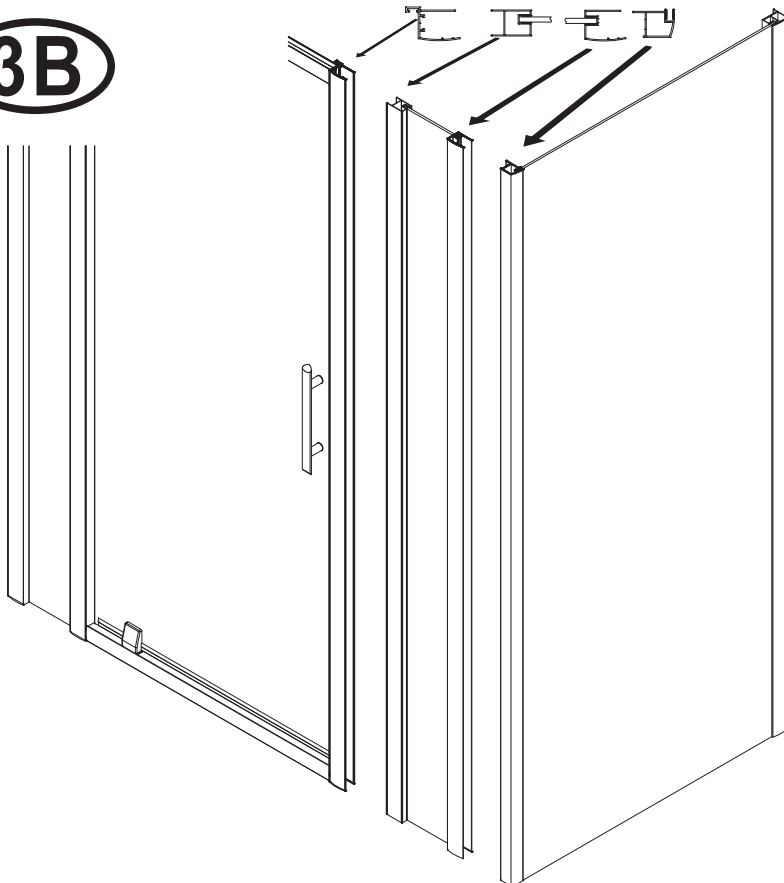
Adjust the door and inline panels until all are lined up correctly. Ideally use up the adjustment at the wall profile first and then between the door and inline panel. Ensure the glass panel and door frame are square.

(Should be an even gap between the bottom of glass panel and bottom profile).

5



3B

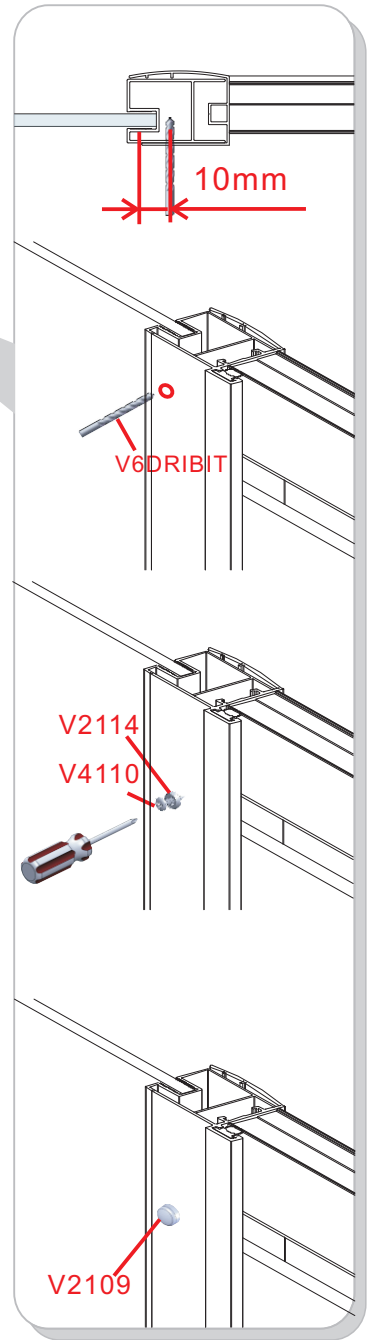
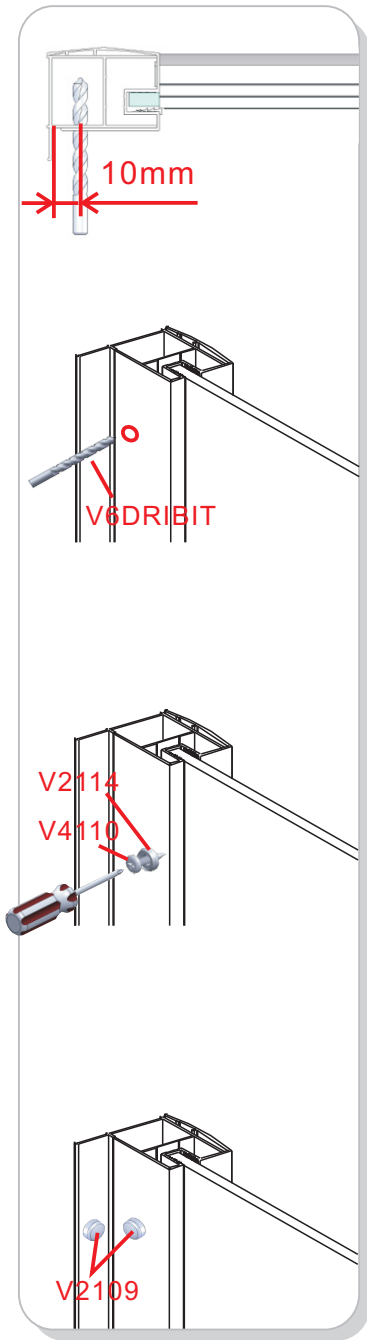


6

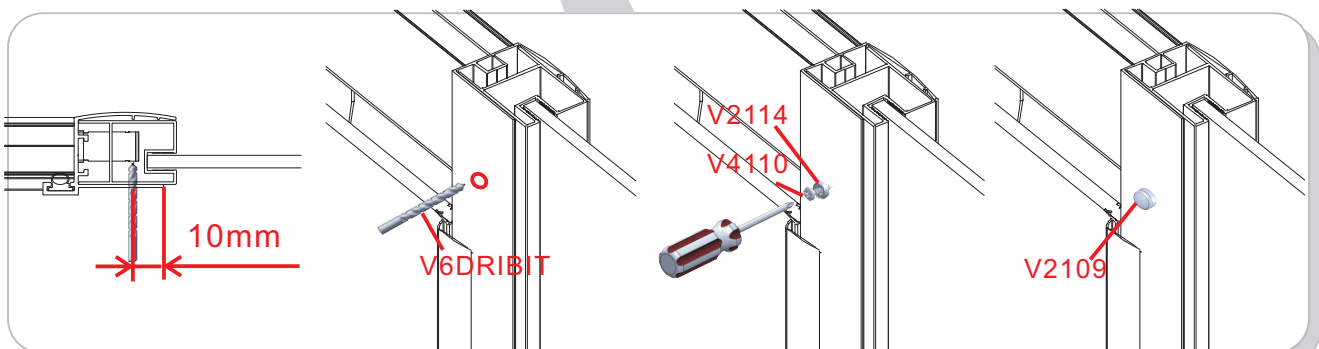
Step 6

Fix the door frame to the marked position on wall using V2114 with screw V4110.

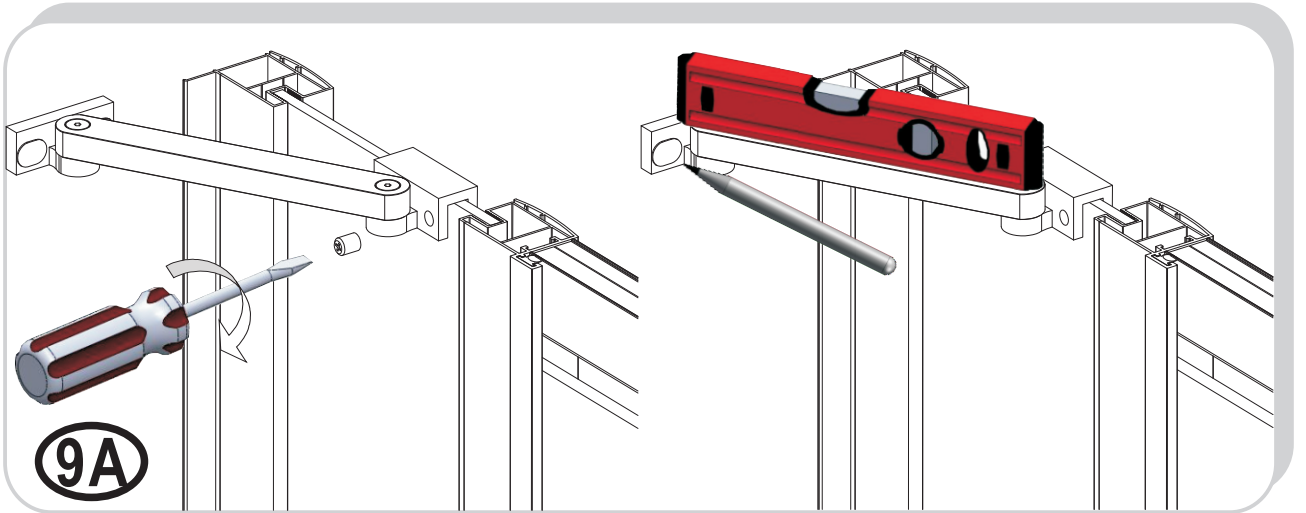
7



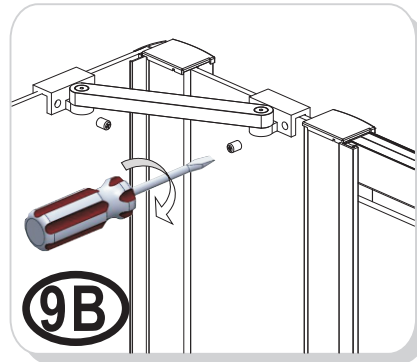
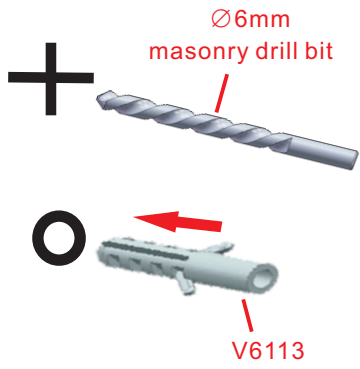
8



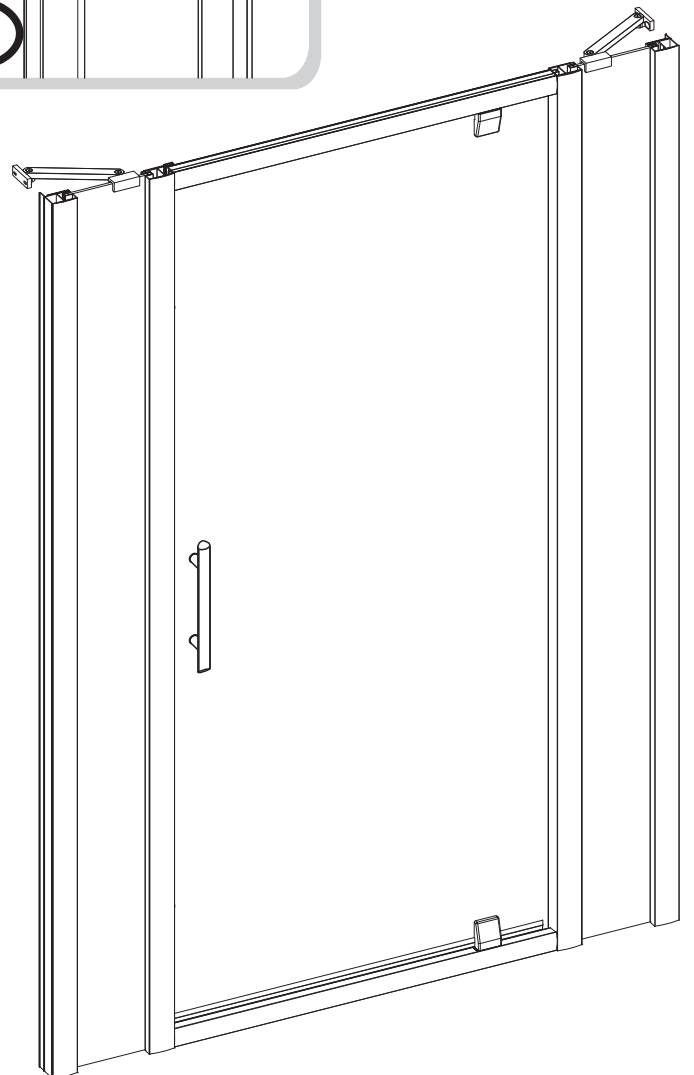
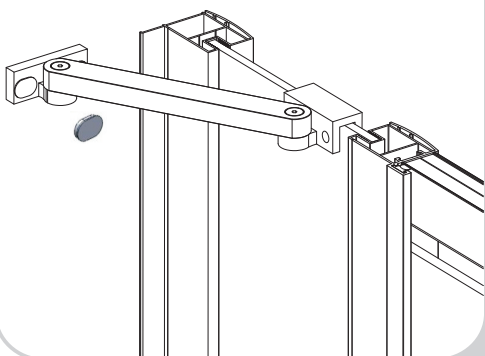
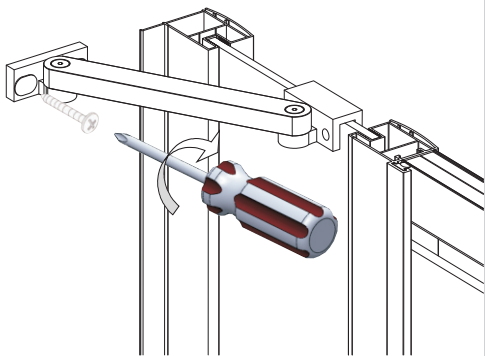
9



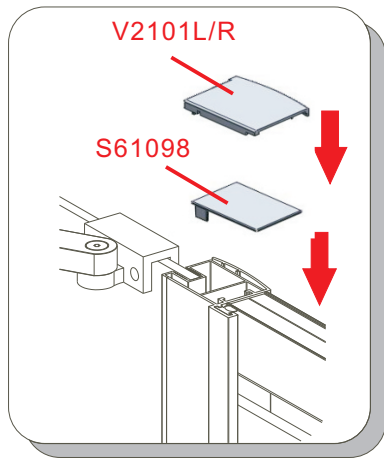
9A



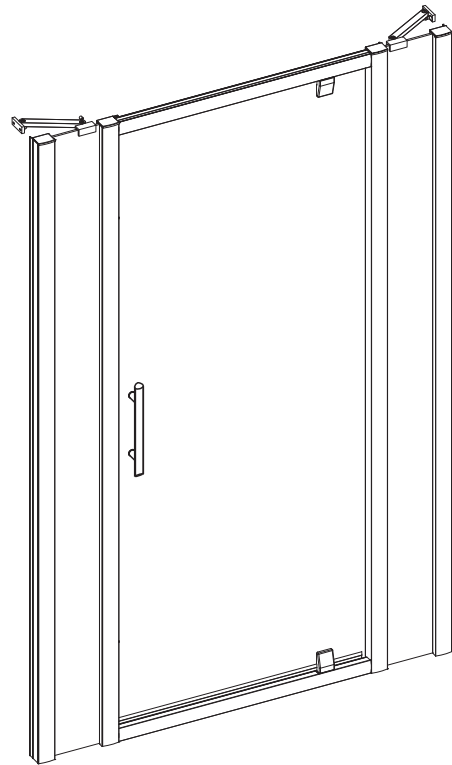
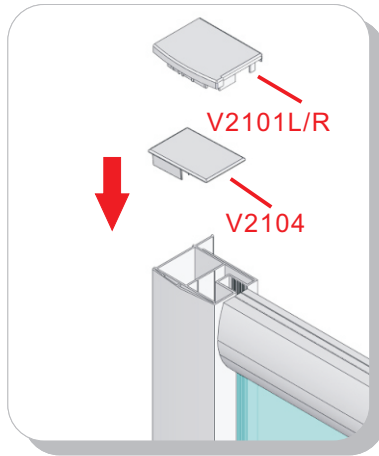
9B



11



10



Step 12.

Use a quality silicone sealant and applicator gun to seal the finished door.

SEALING INSIDE

Seal top to bottom on the **INSIDE** between the wall profile and the wall.

Note: Do not apply sealant on the inside of the tray.

SEALING OUTSIDE

Seal only along bottom on the **OUTSIDE** between glass/rail/profile and the tray and approx 50mm up between the wall profile and the wall. Seal joint between bottom profile and upright profile.

TROUBLE SHOOTING GUIDE

DOOR NOT ALIGNING

1. Is the tray 100% level? (see page 3)
2. Have the walls been checked at different levels to ensure consistency?
3. Are the wall profiles stepped in 15mm from the edge of the tray? (see step 1,2)
4. Do the finished tile measurements on the tray comply with the adjustment listed on the label and in the specifications book?
6. Is the top rail level? (see step 9)
7. Are the door closing evenly/smoothly on the ball catches?(See door instruction)

DOOR LEAKING

1. Is the seal fitted? (see door instruction)
2. Is the door sealed correctly? (see door instruction)

