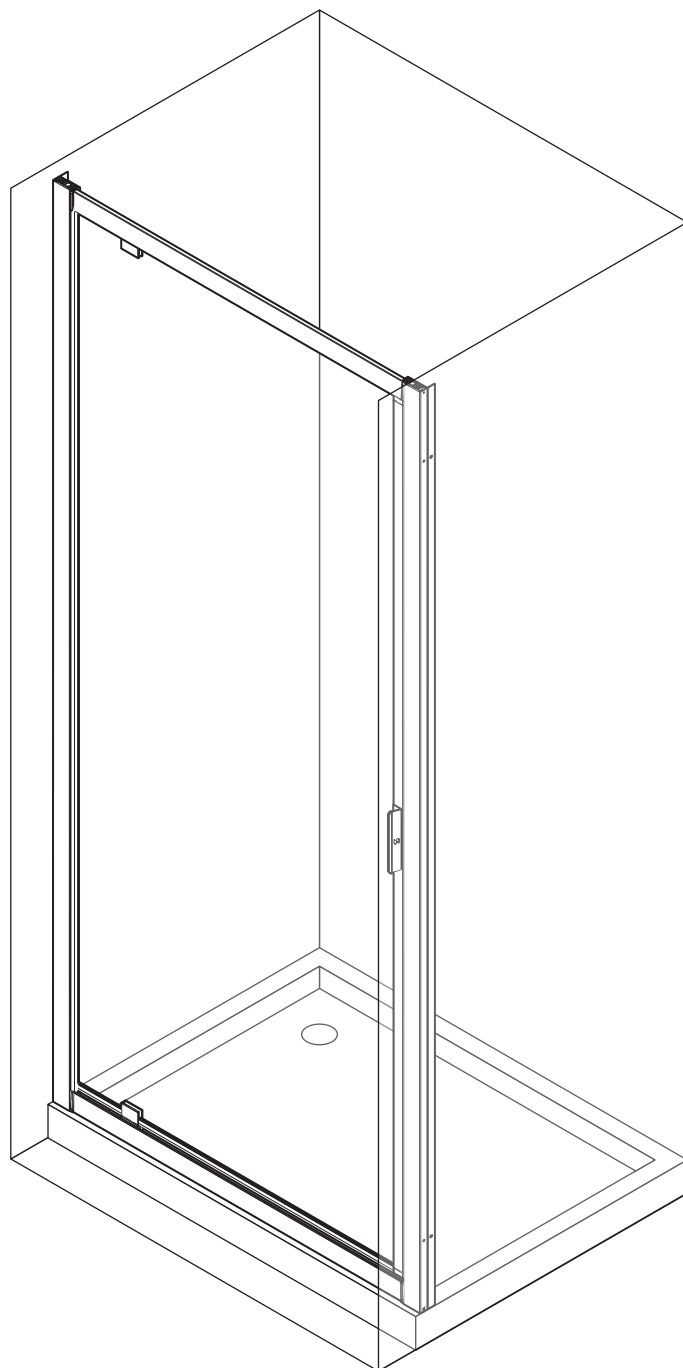
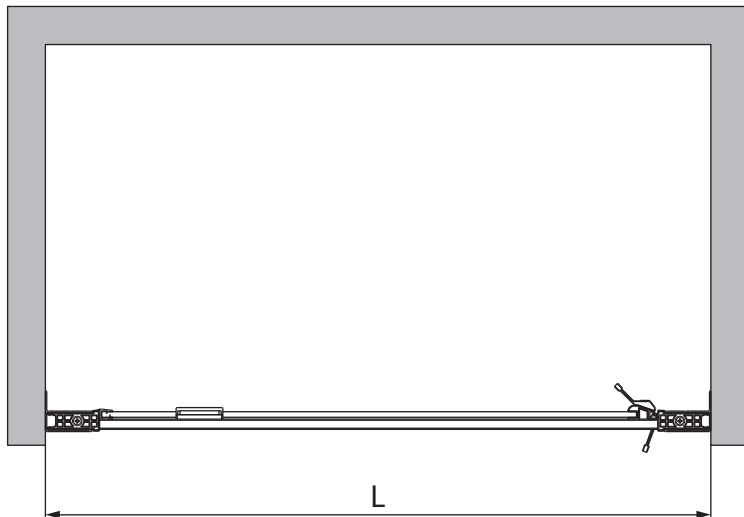
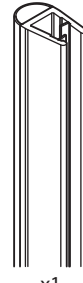
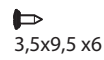
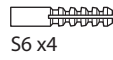
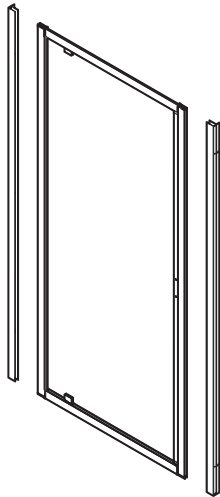
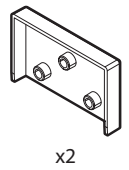
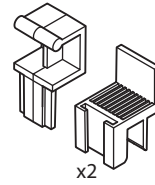
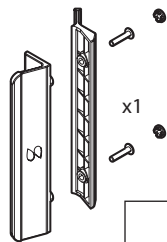
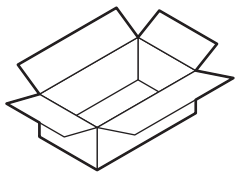
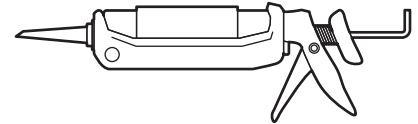
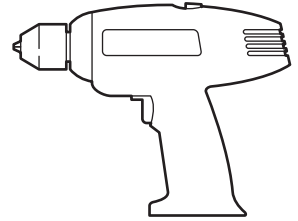
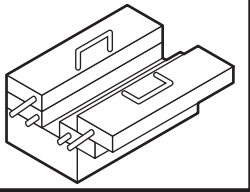
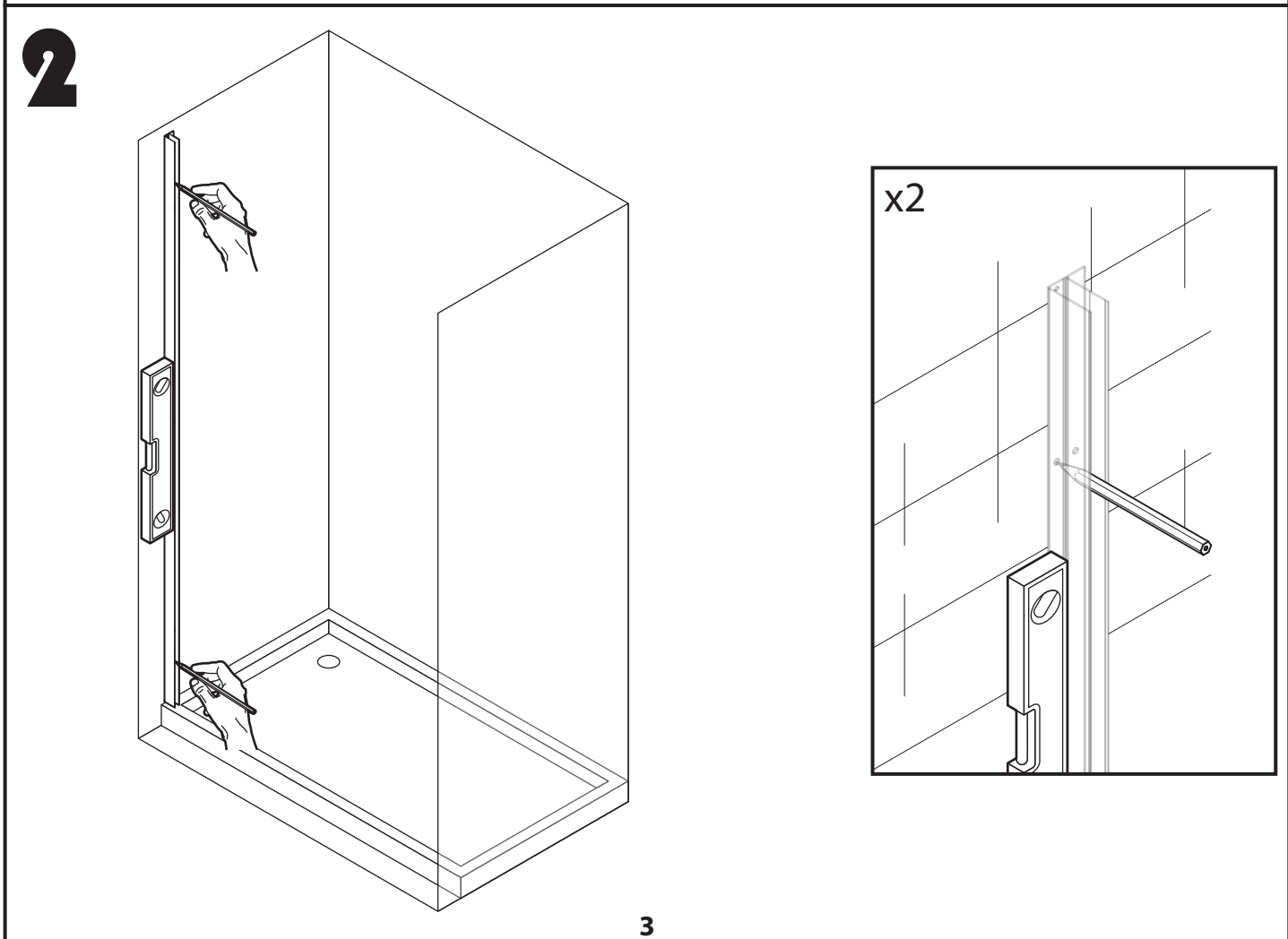
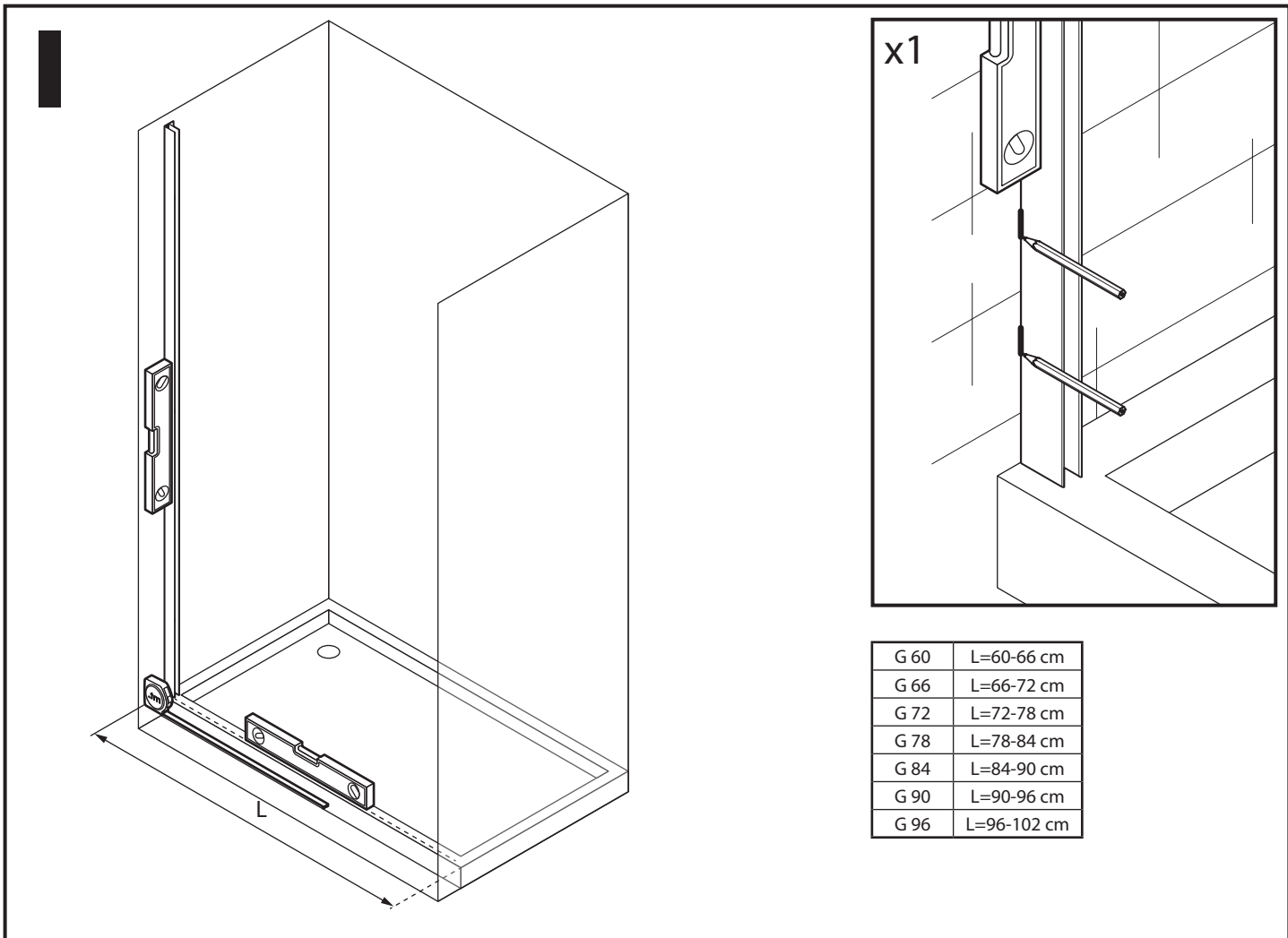


**G**

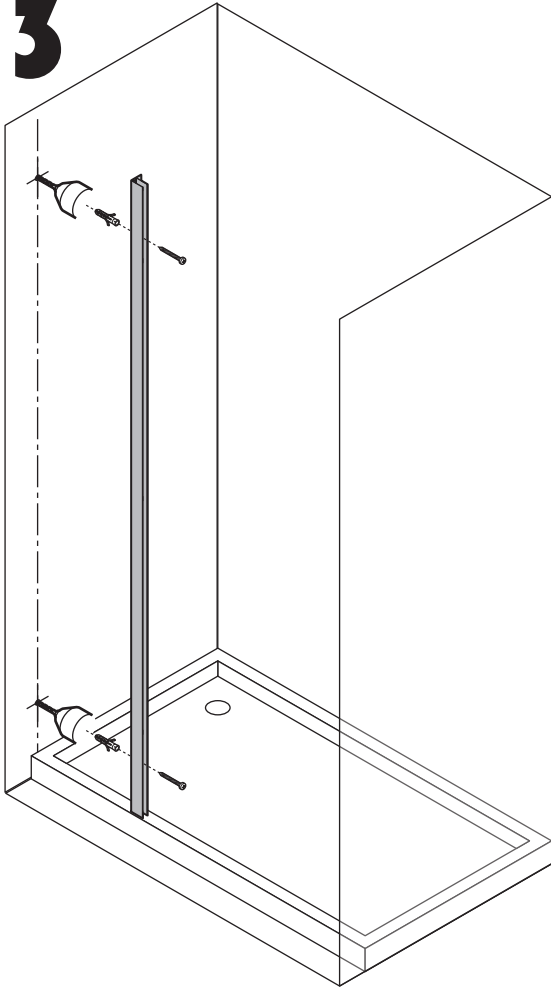








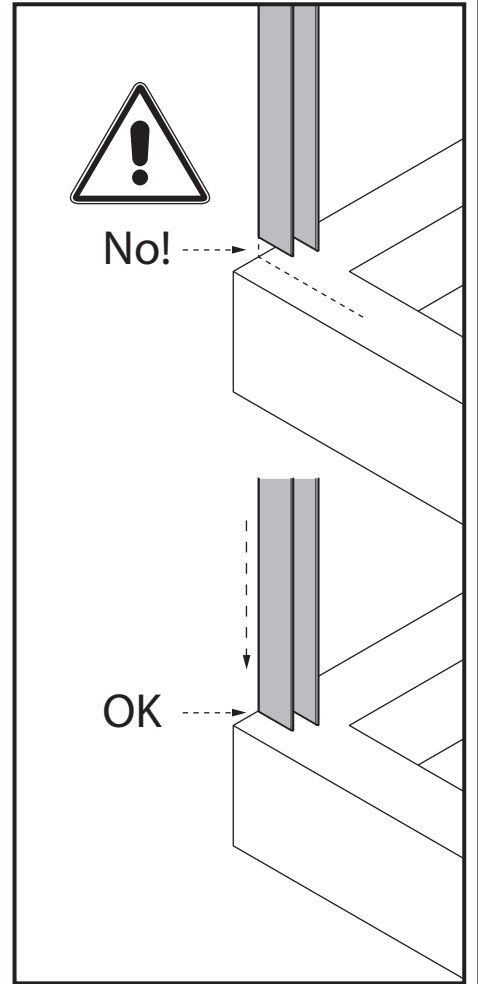
G 60	L=60-66 cm
G 66	L=66-72 cm
G 72	L=72-78 cm
G 74	L=74-80 cm
G 78	L=78-84 cm
G 84	L=84-90 cm
G 90	L=90-96 cm
G 96	L=96-102 cm



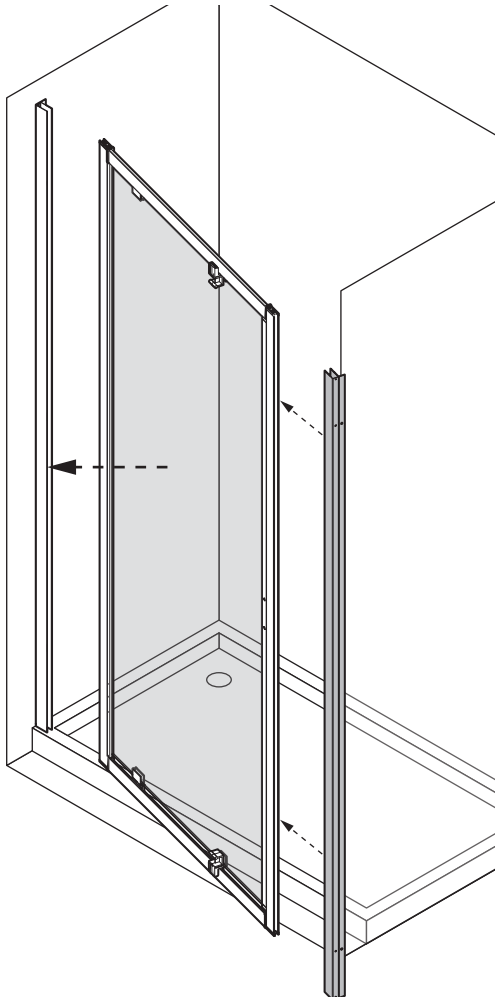
# 3



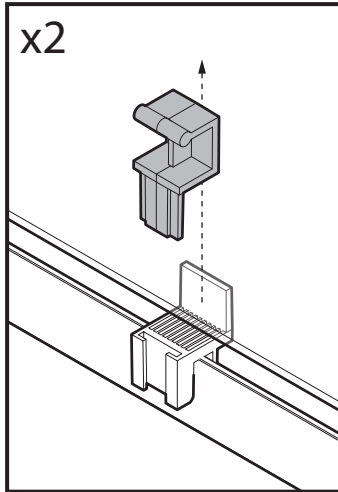
-  4x35 n.2
-  S6 n.2
-   $\varnothing 6$  mm



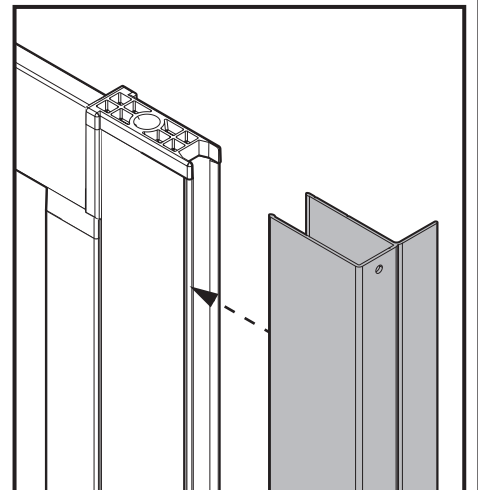
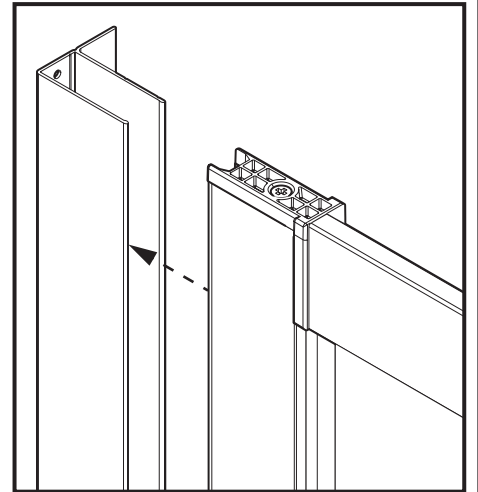
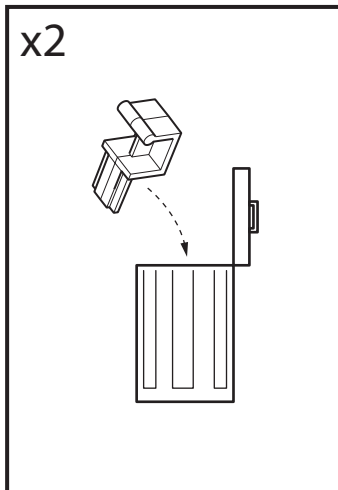
# 4



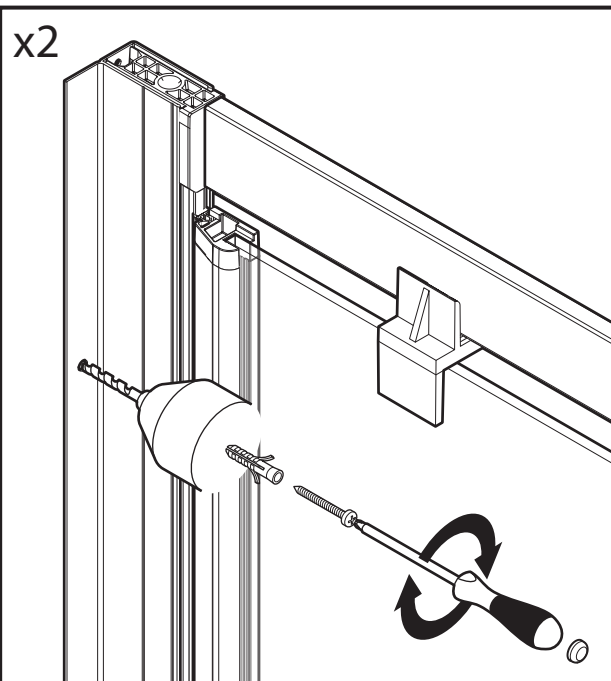
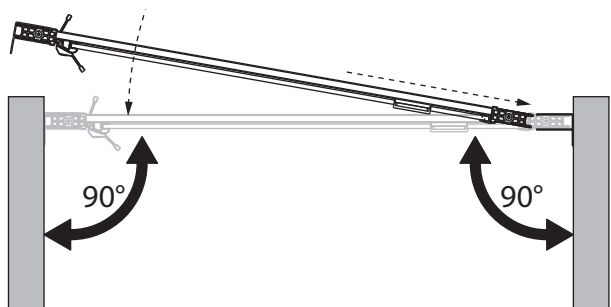
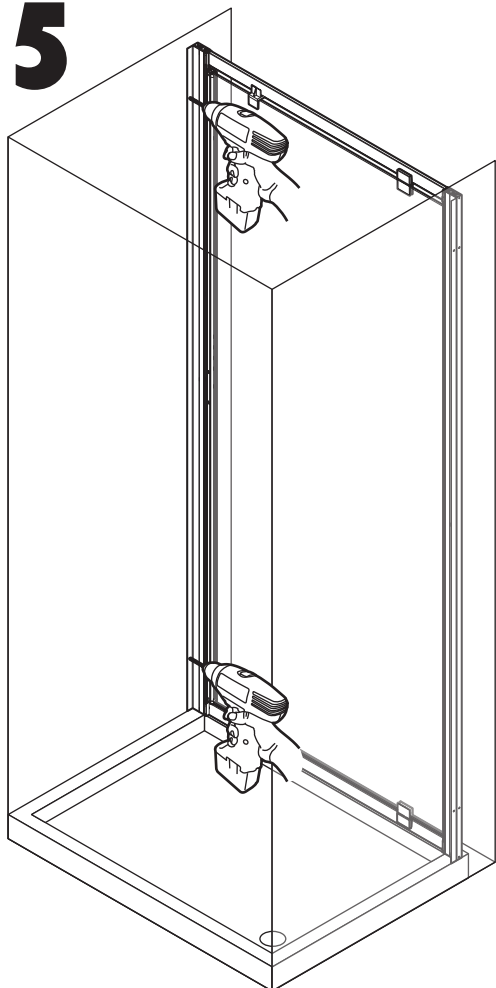
x2



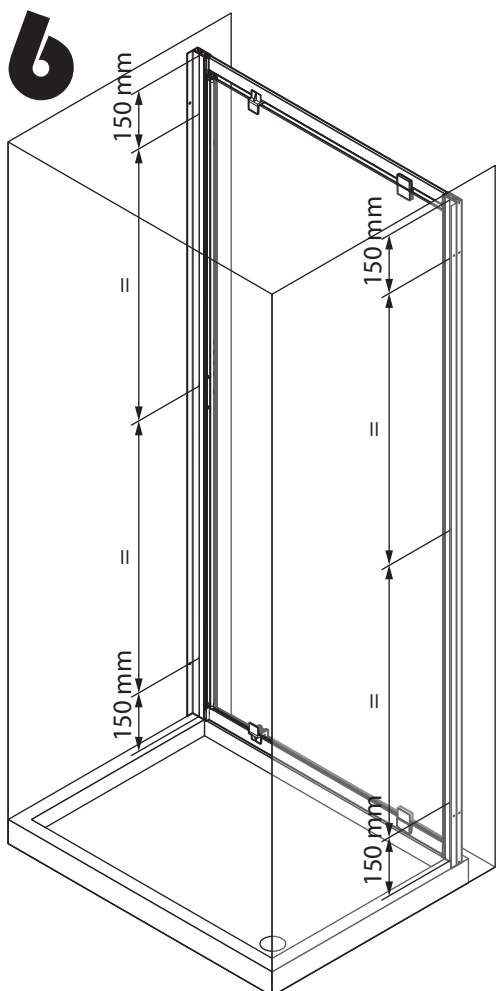
x2



5



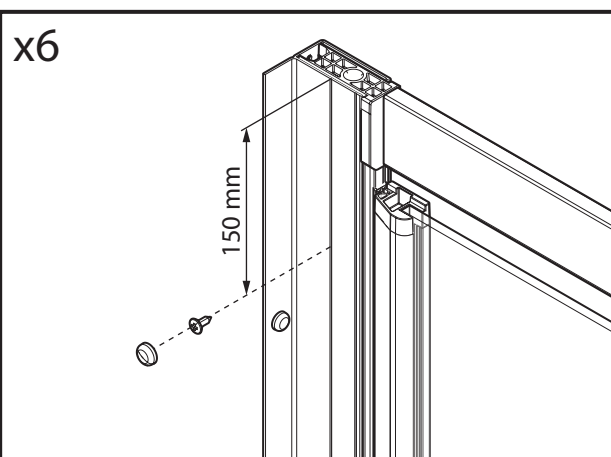
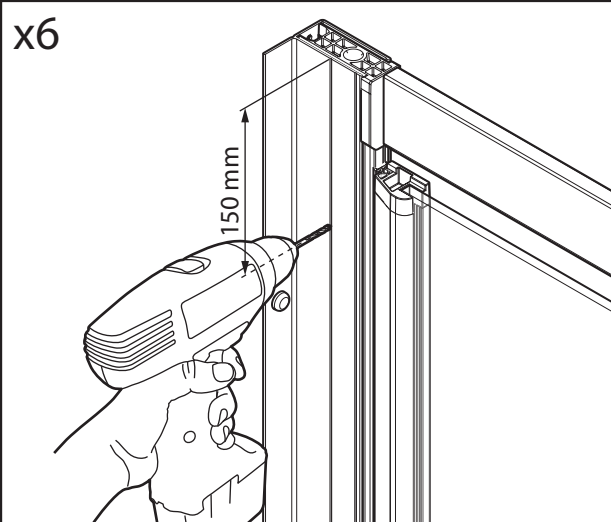
6



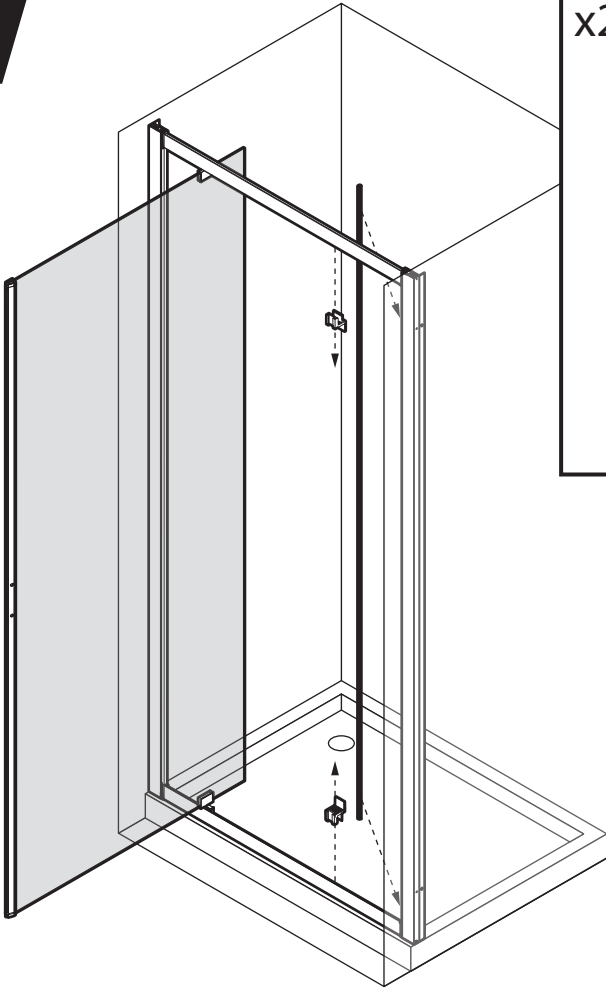
3,5x9,5 x6



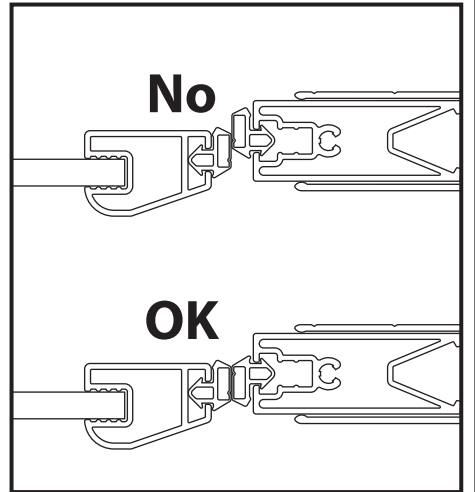
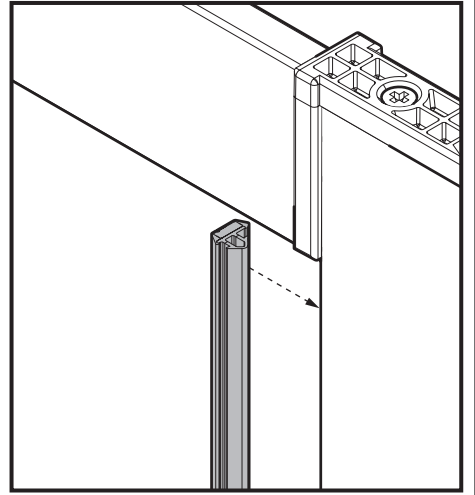
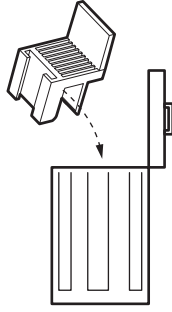
x6



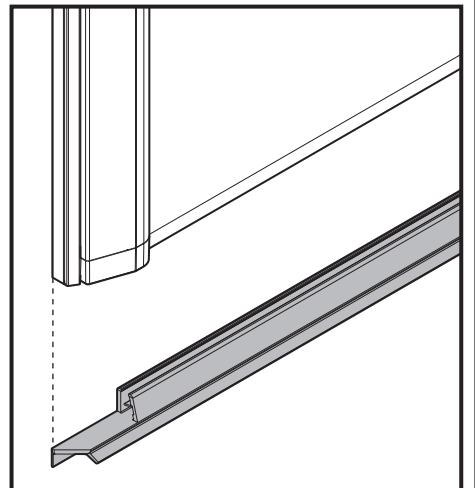
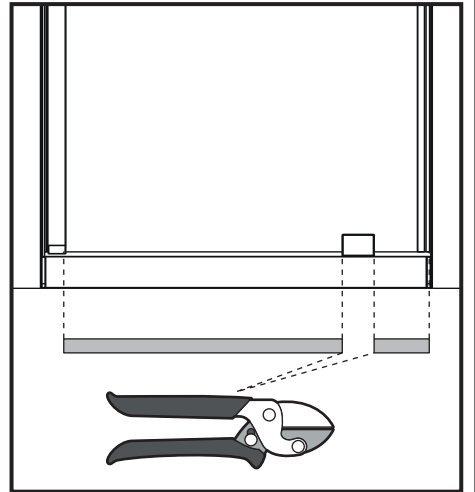
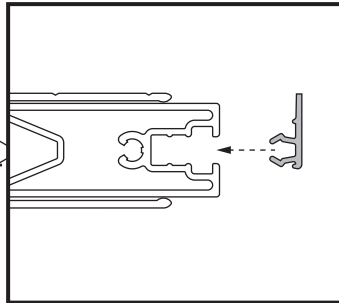
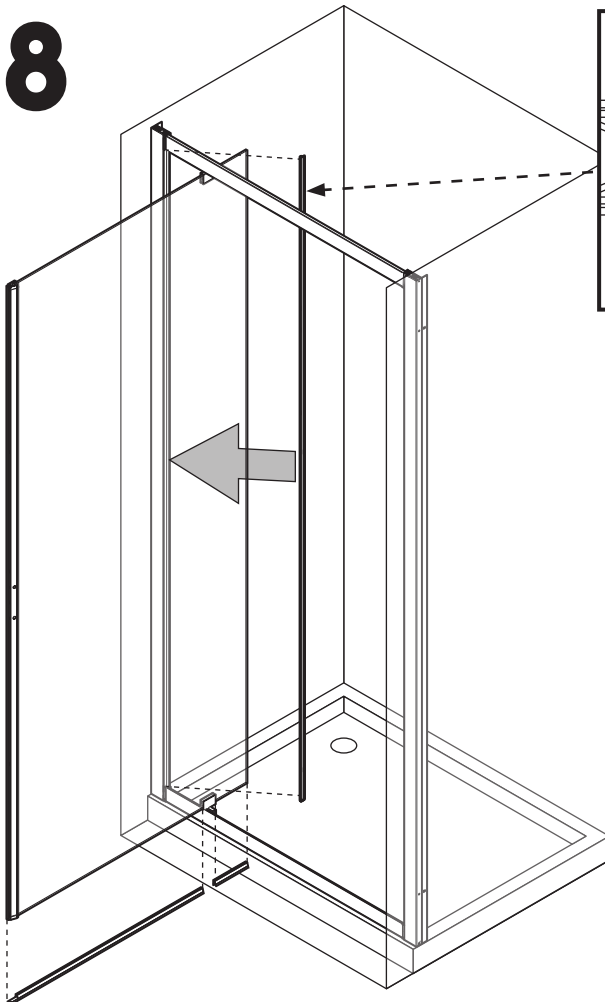
# 7



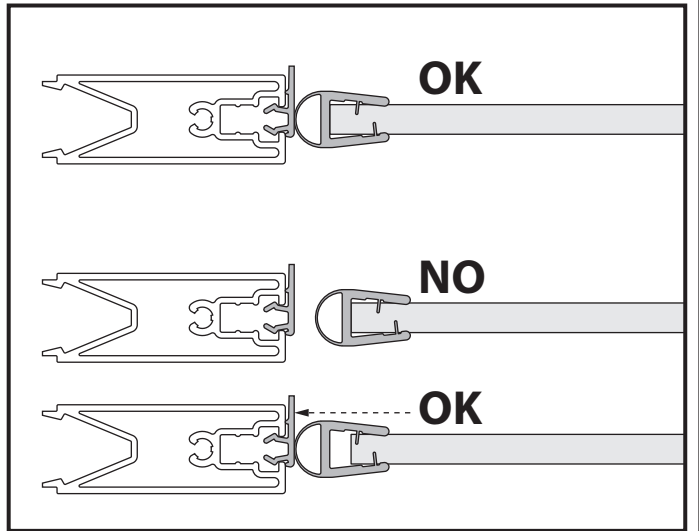
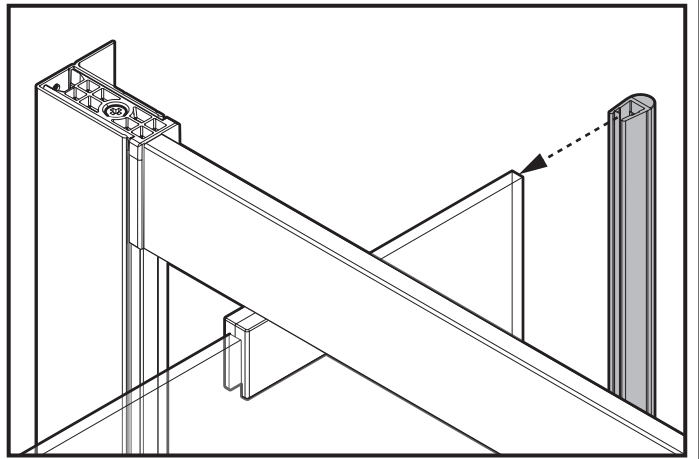
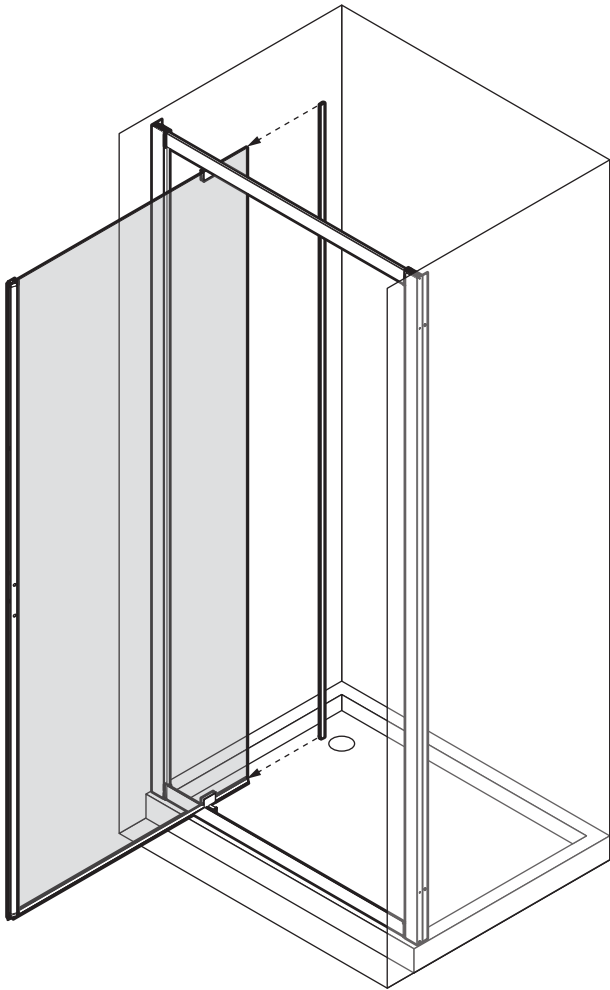
x2



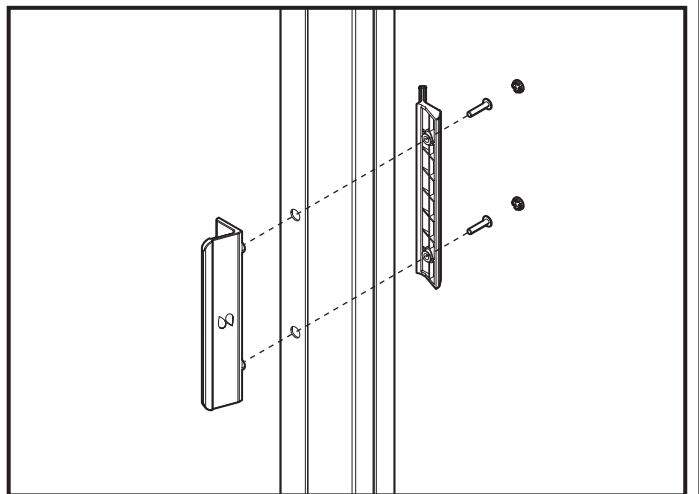
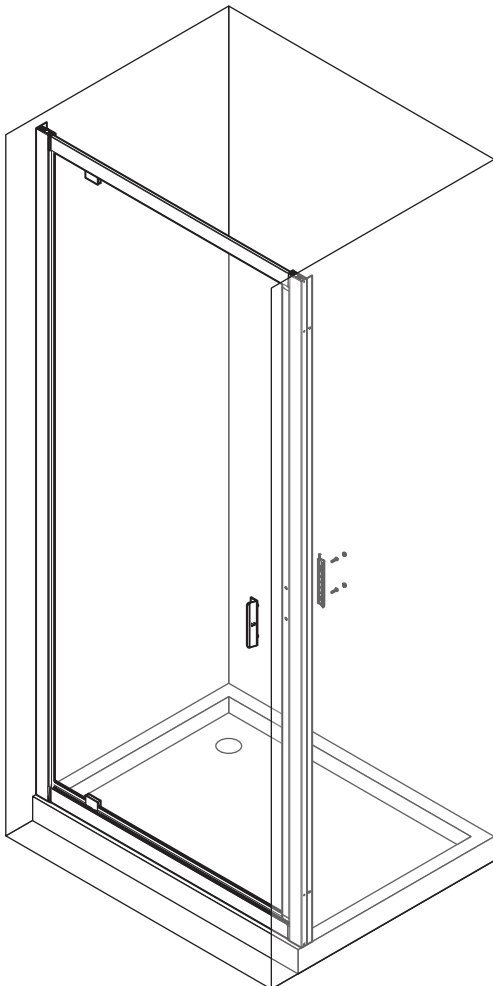
# 8



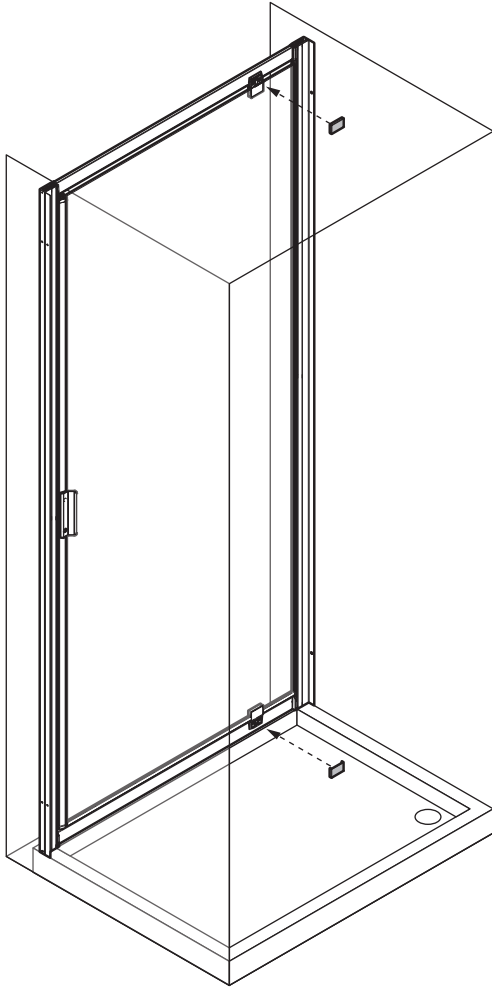
**9**



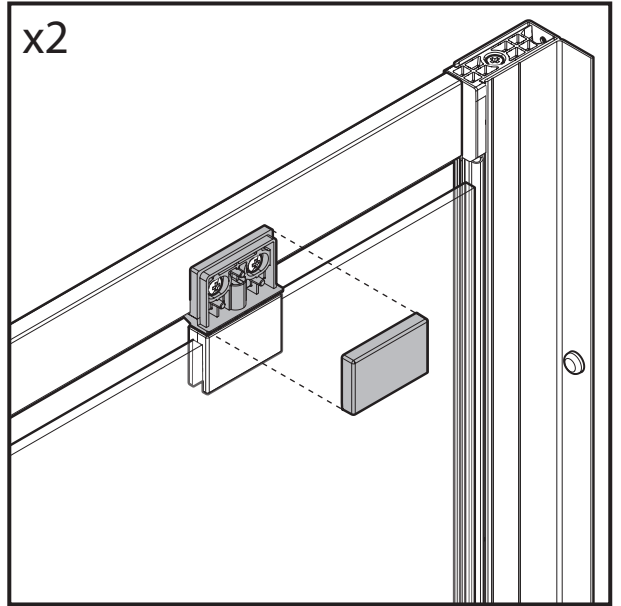
**10**



11



x2



12

