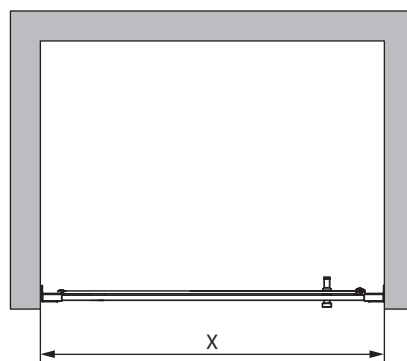
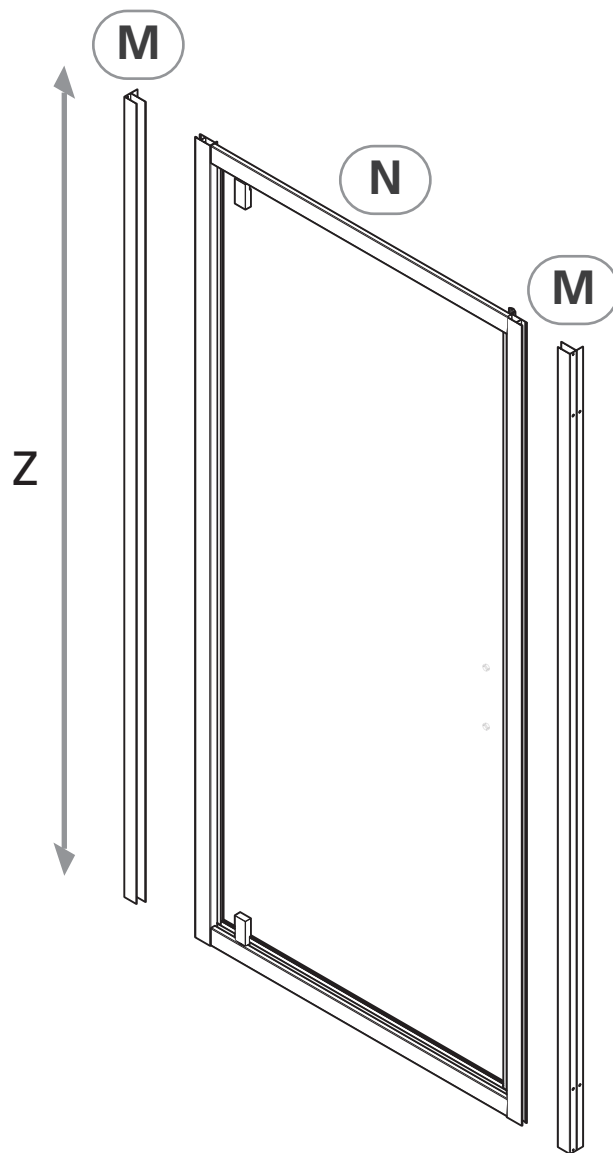
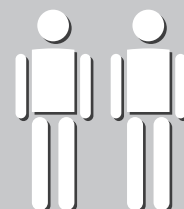
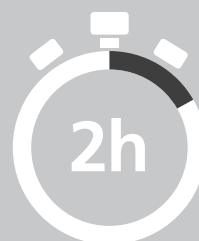
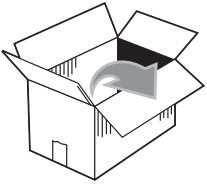


| | |
|-------------------------|-------------------------|
| <hr/> <hr/> <hr/> <hr/> | <hr/> <hr/> <hr/> <hr/> |
|-------------------------|-------------------------|

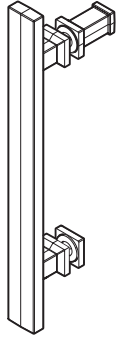


| | | |
|-----|-------------|----------|
| G66 | X=66-72 cm | Z=195 cm |
| G72 | X=72-78 cm | Z=195 cm |
| G76 | X=76-82 cm | Z=195 cm |
| G86 | X=86-92 cm | Z=195 cm |
| G96 | X=96-102 cm | Z=195 cm |

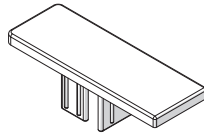




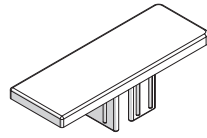
B1



B2

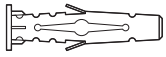


B3



C1

x4



C2

x4



4X35 mm

C5

x4



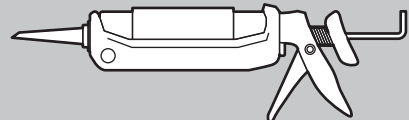
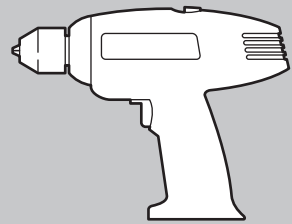
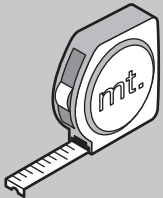
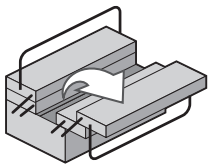
3,5x9,5 mm

C6

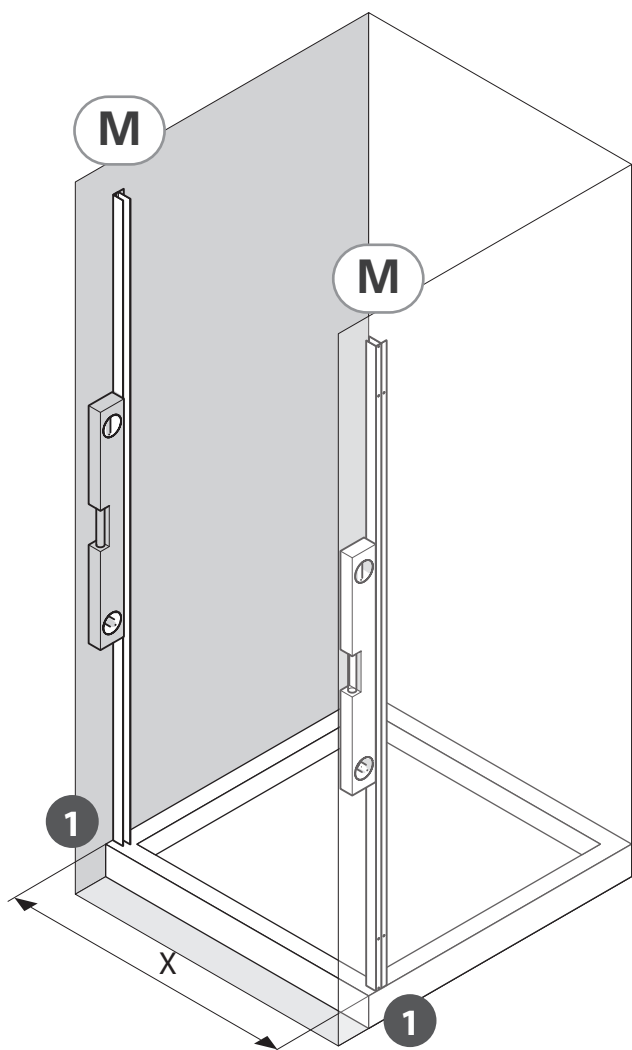
x6



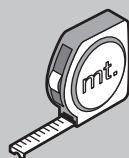
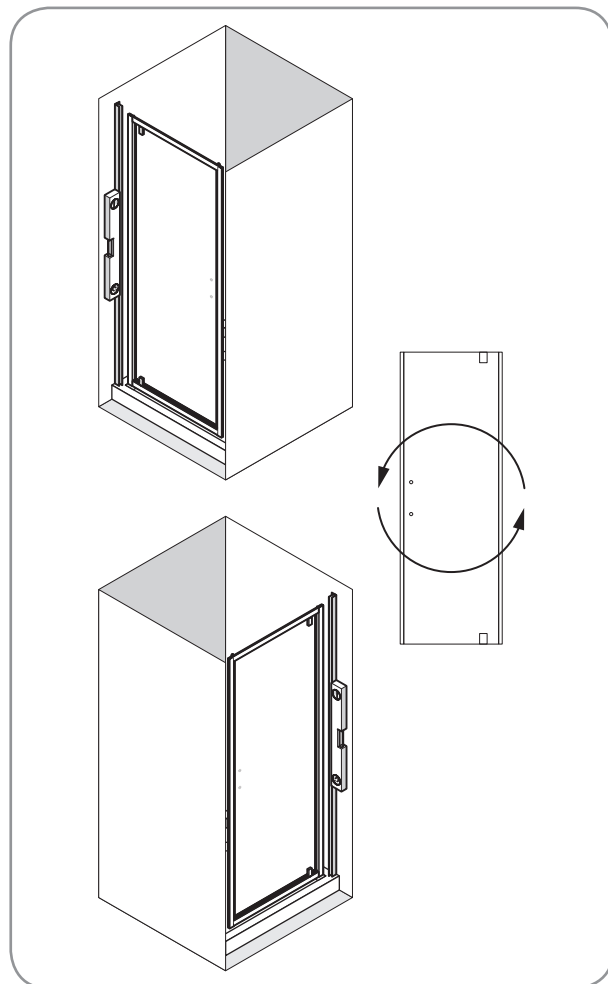
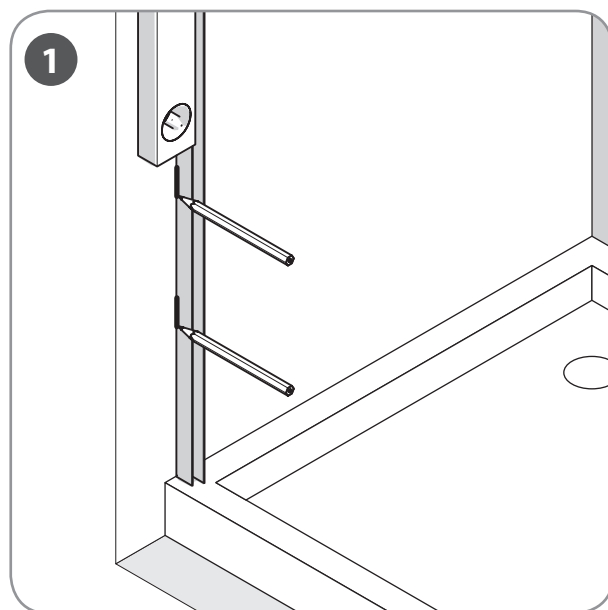
D1



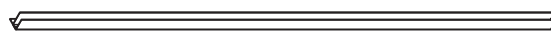
1



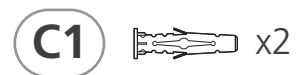
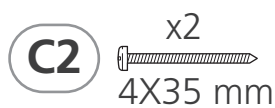
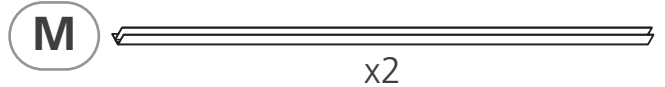
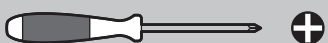
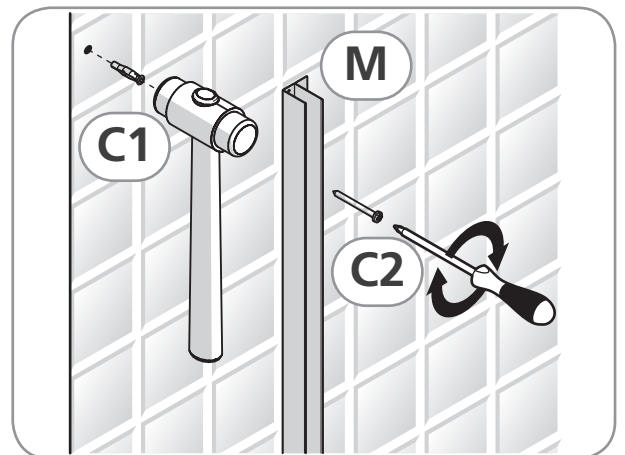
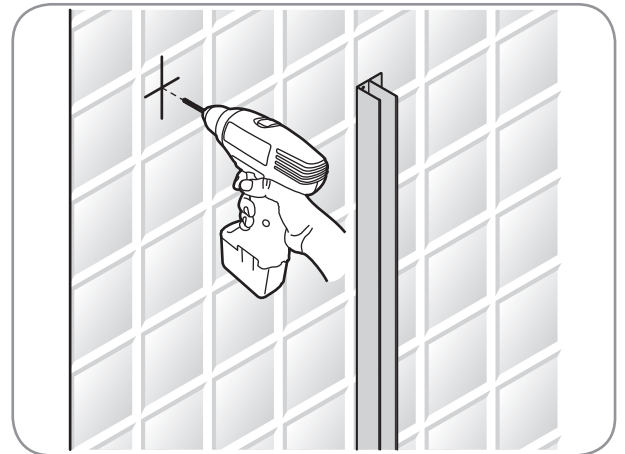
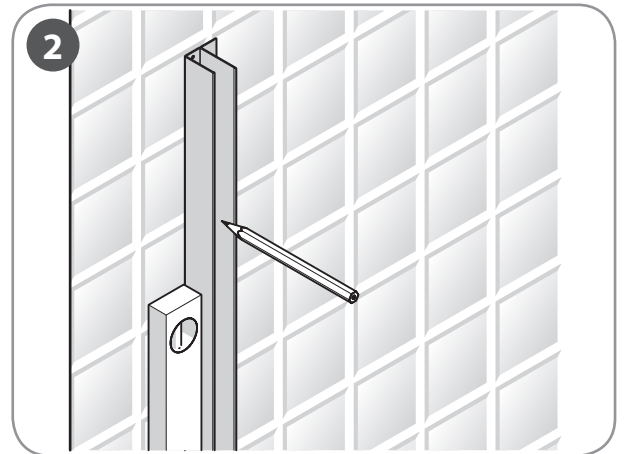
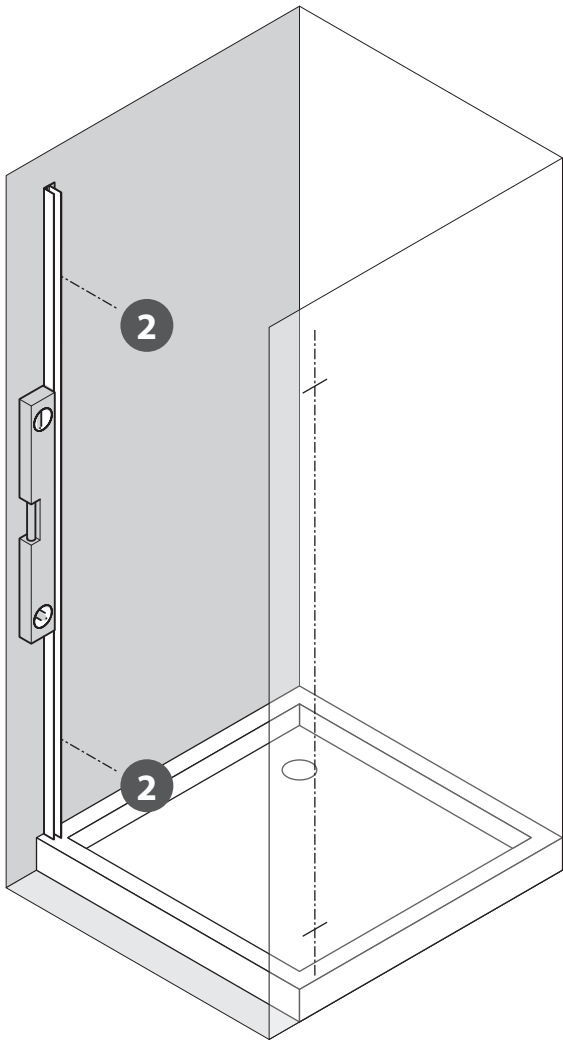
| | |
|-----|-------------|
| G66 | X=66-72 cm |
| G72 | X=72-78 cm |
| G76 | X=76-82 cm |
| G86 | X=86-92 cm |
| G96 | X=96-102 cm |



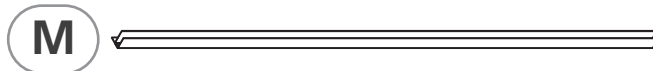
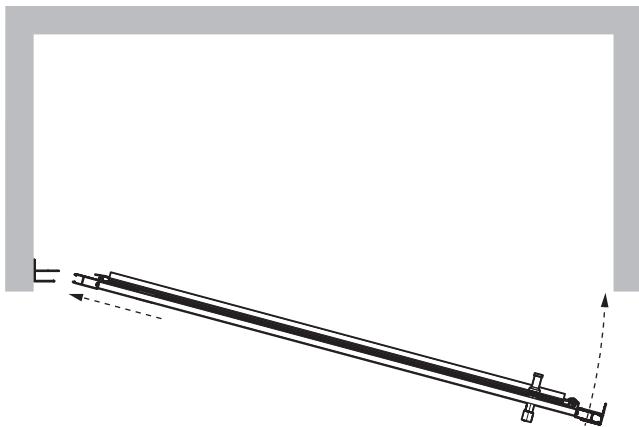
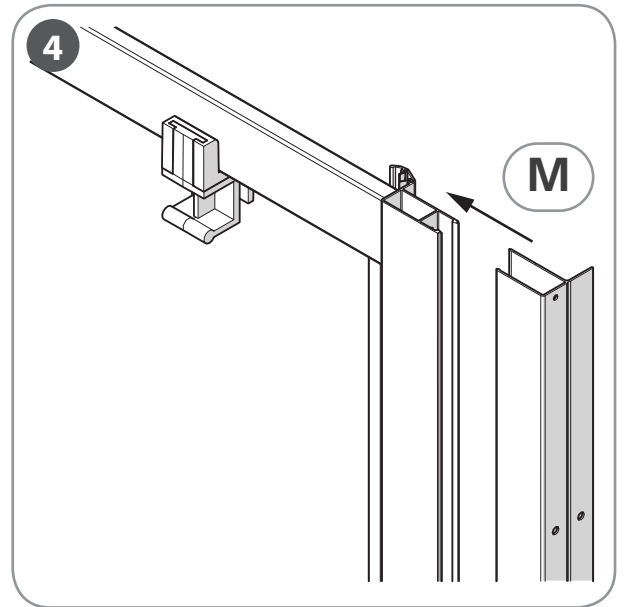
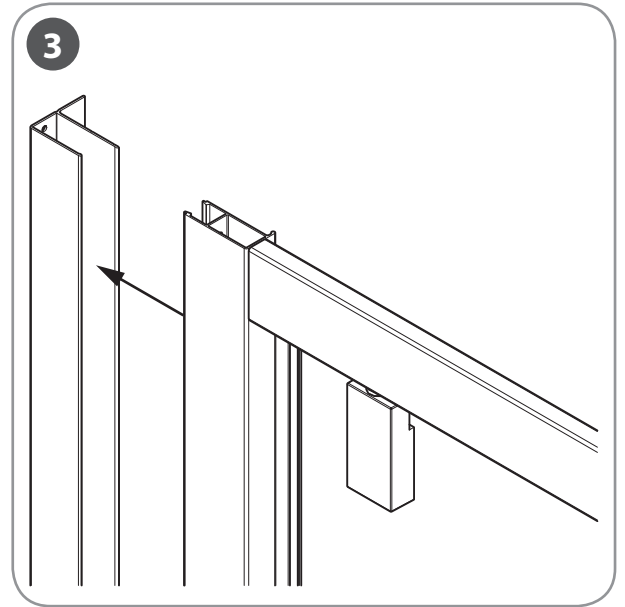
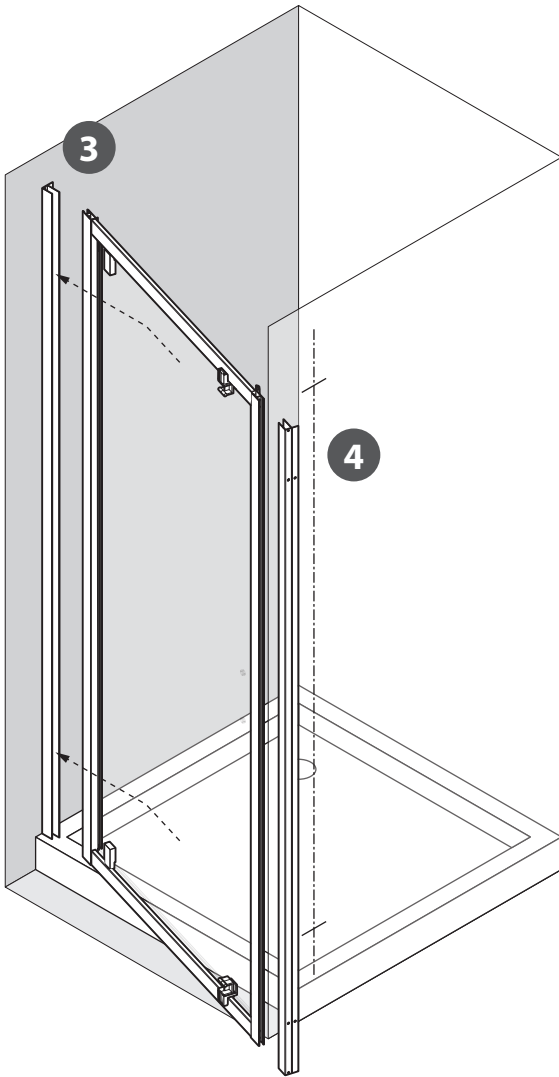
M

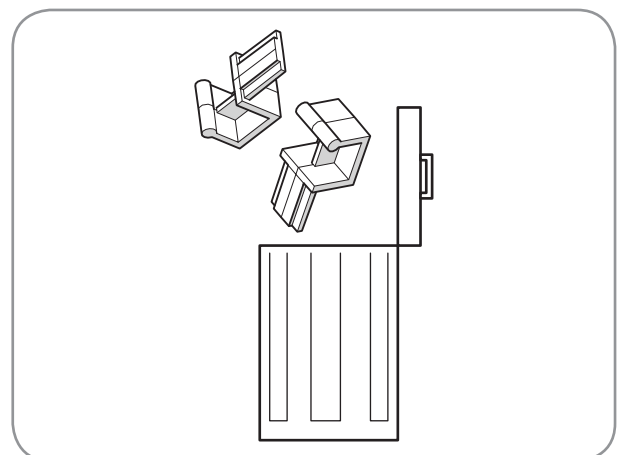
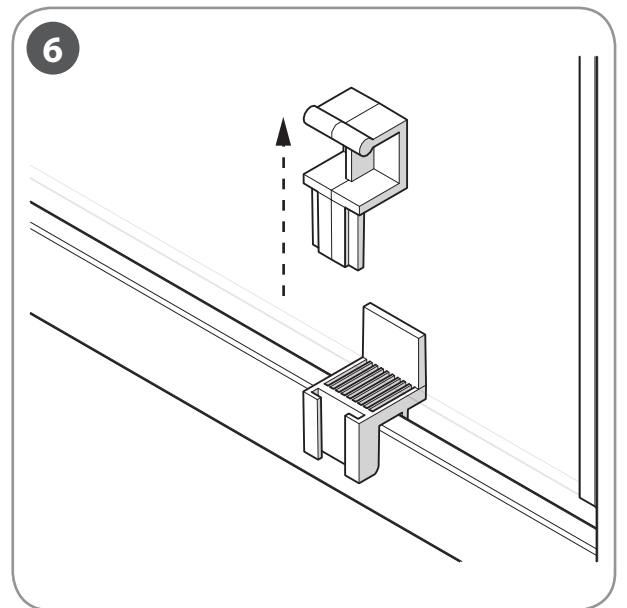
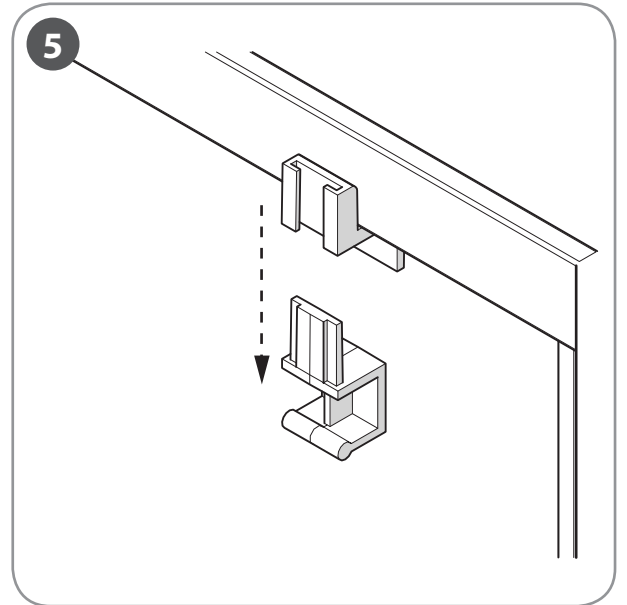
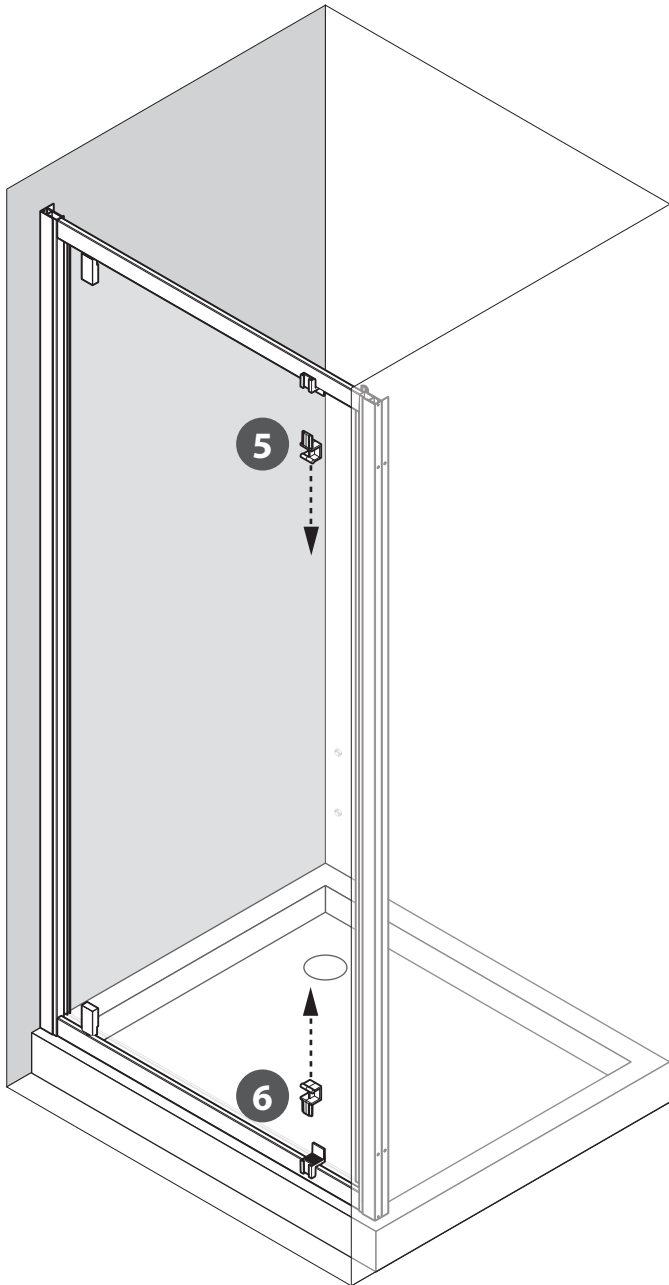


x2

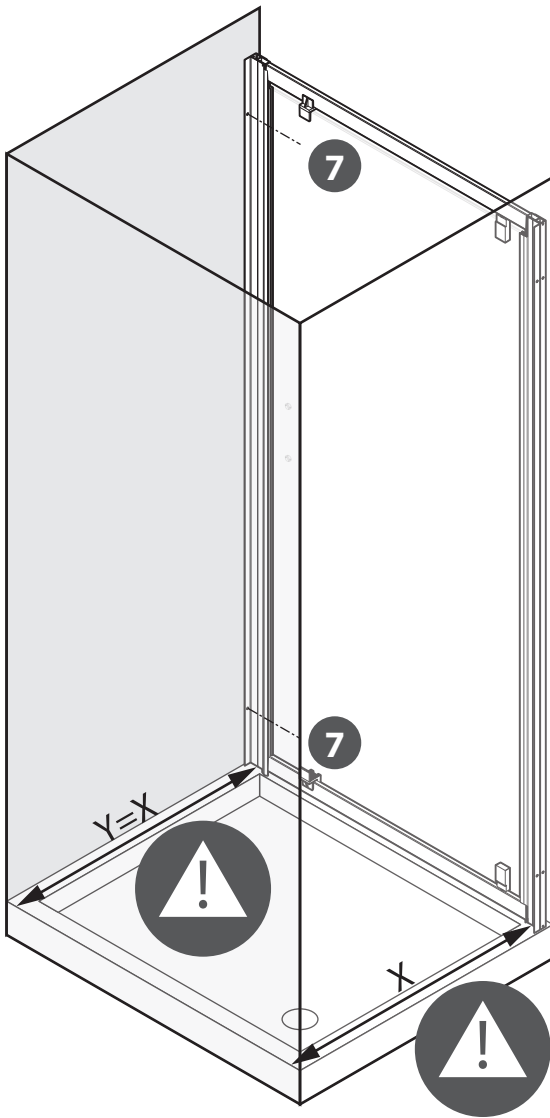
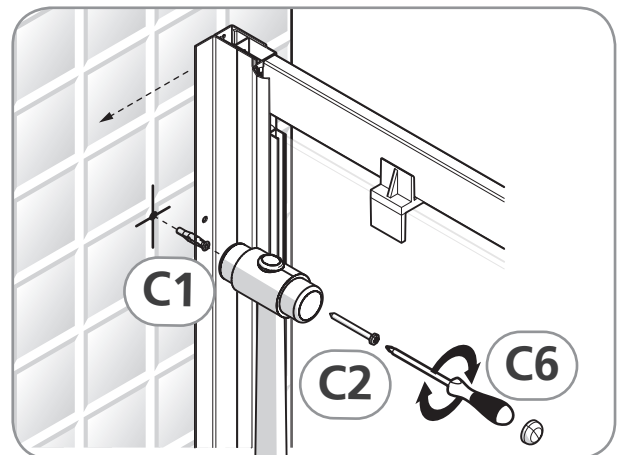
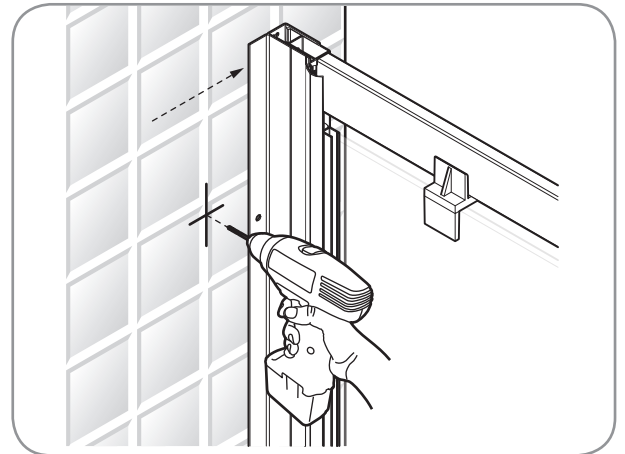
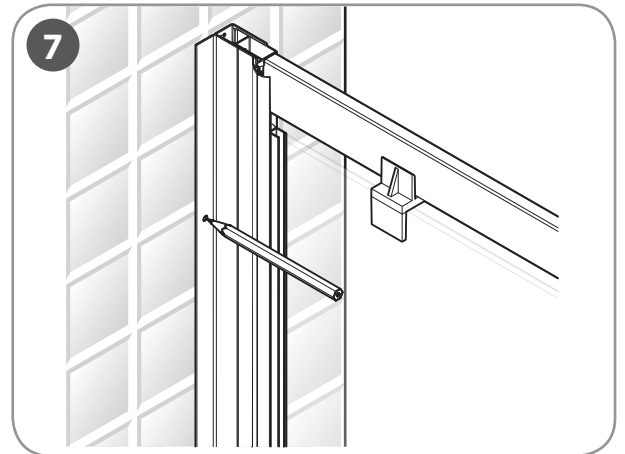
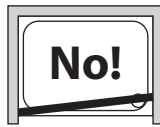


3





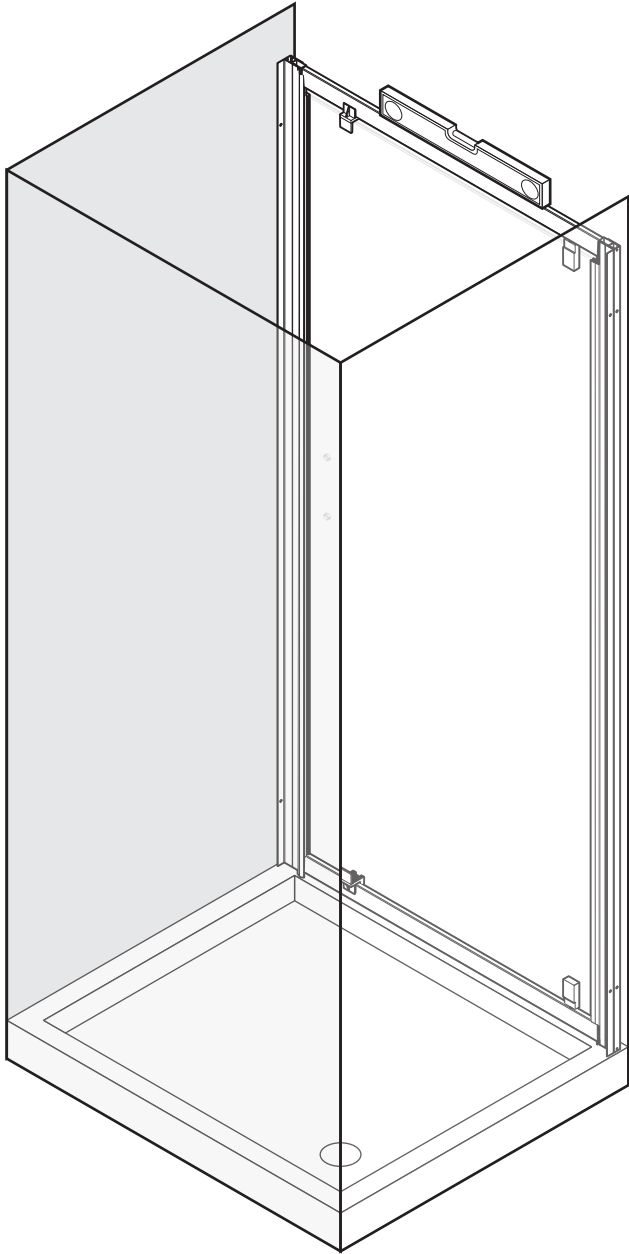
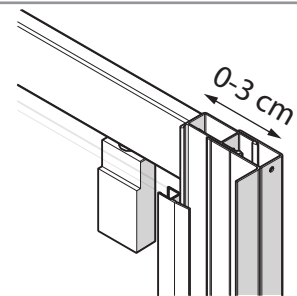
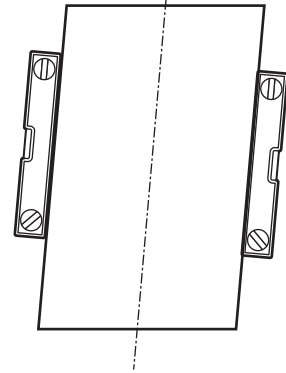
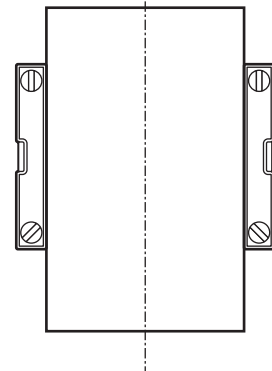
5



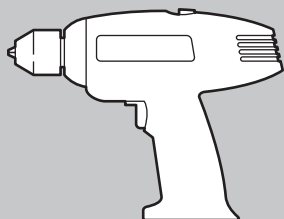
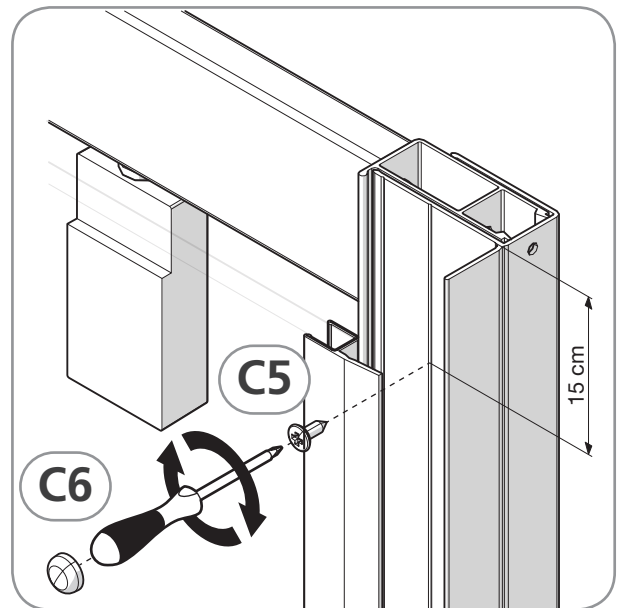
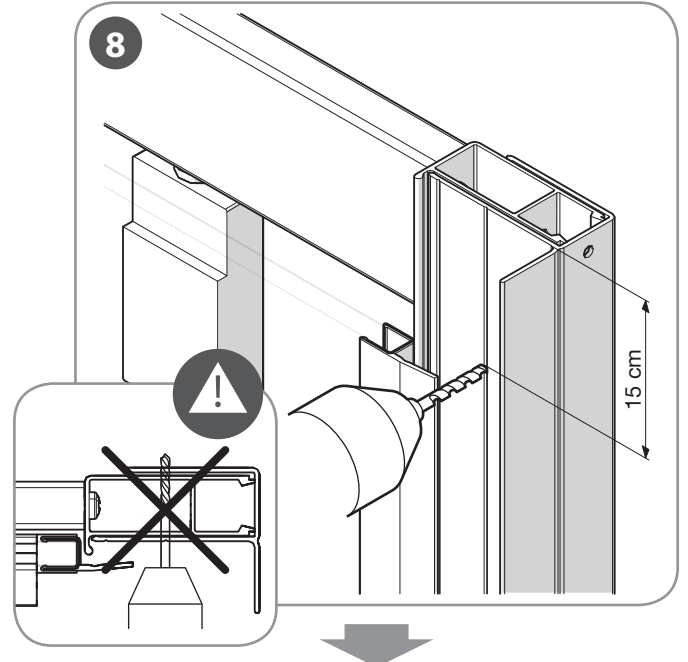
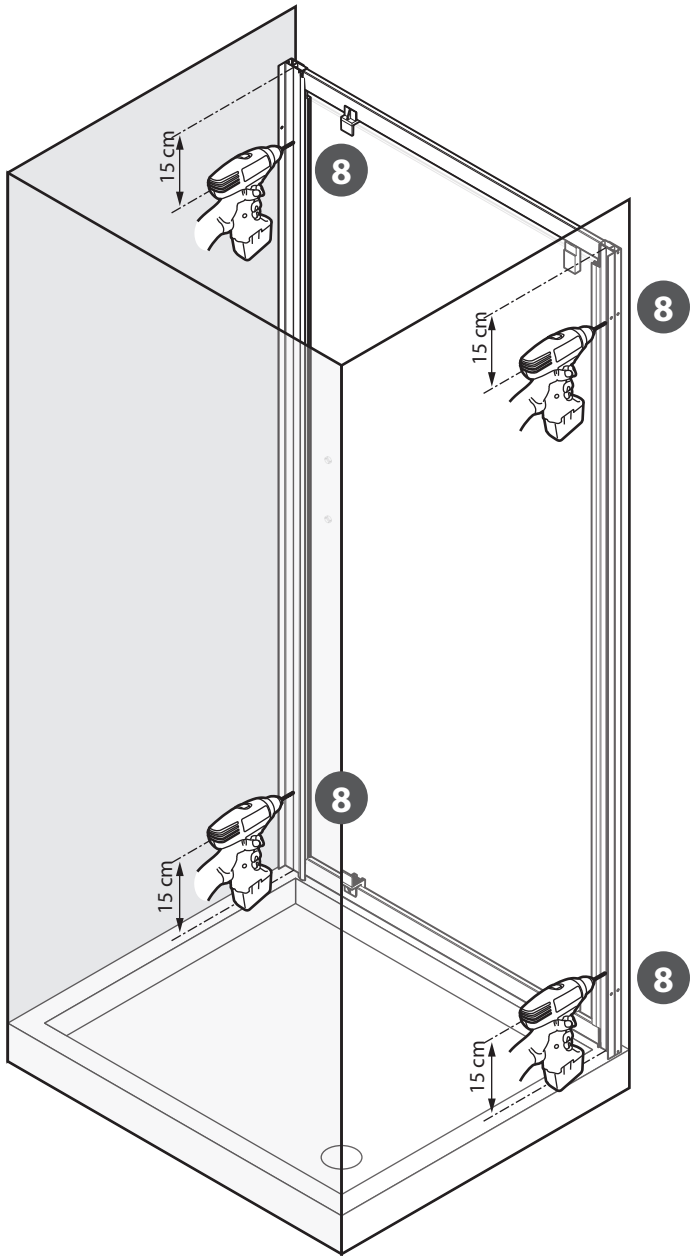
C2 x2
4X35 mm

C1 x2

C6 x2

**No!****OK**

7



ø3 mm

C5

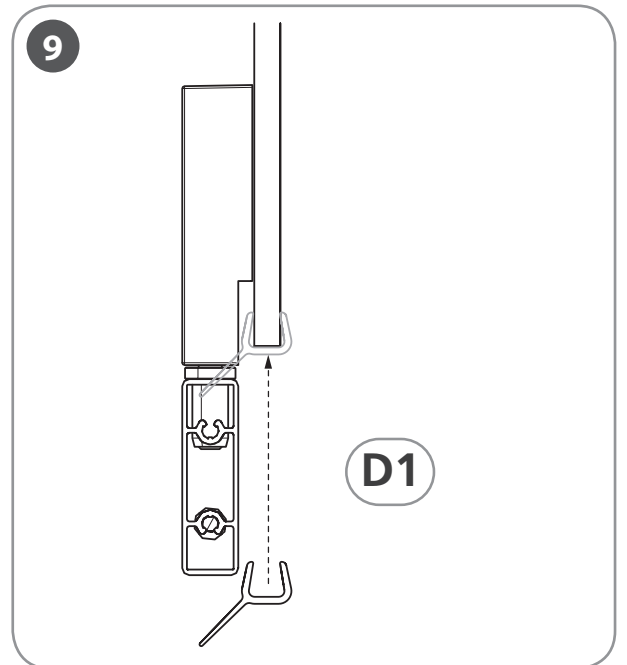
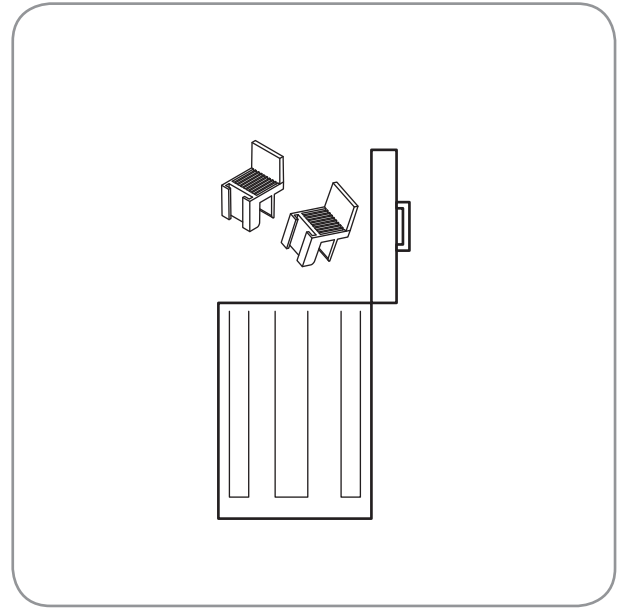
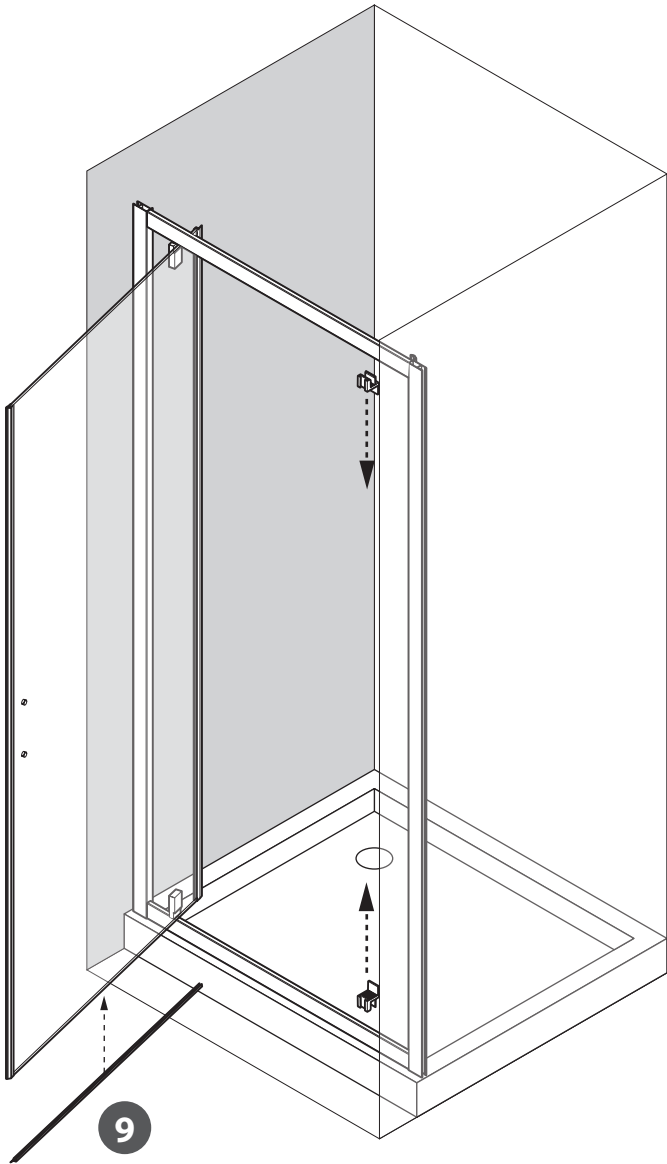


3,5x9,5 mm
x4

C6

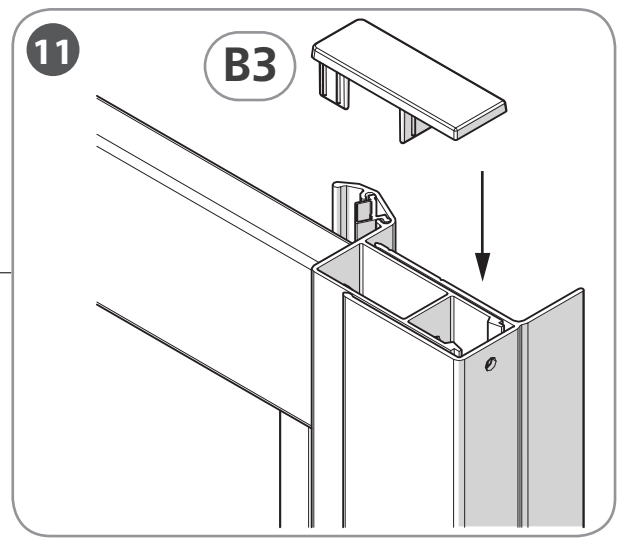
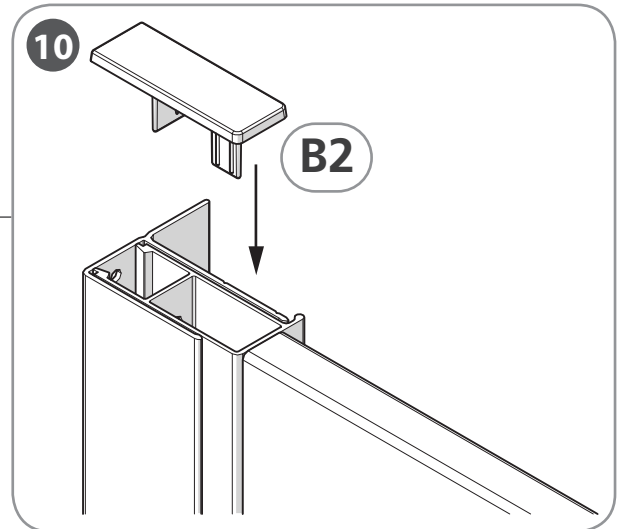
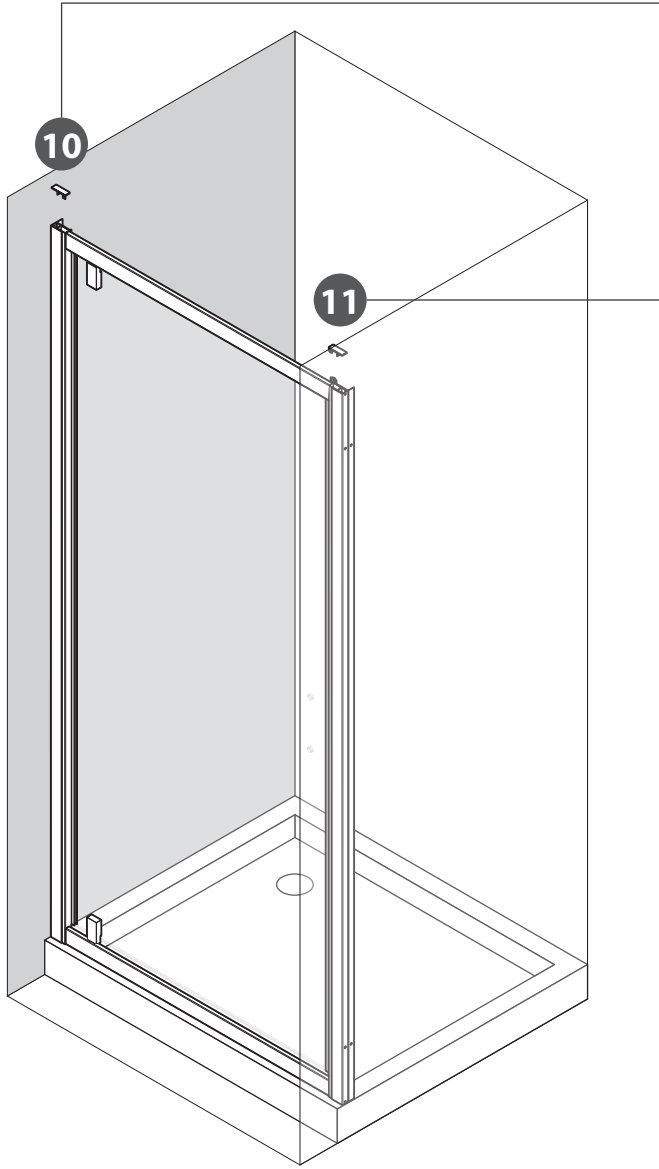


x4

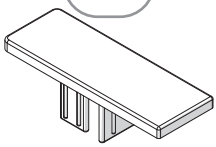


D1





B2



B3

