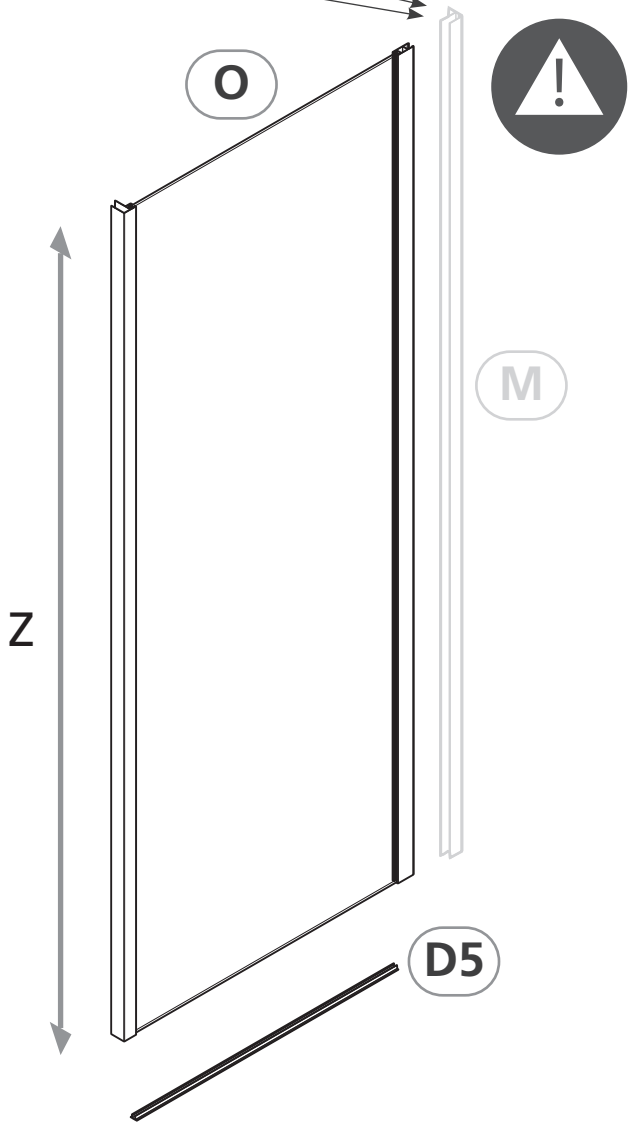
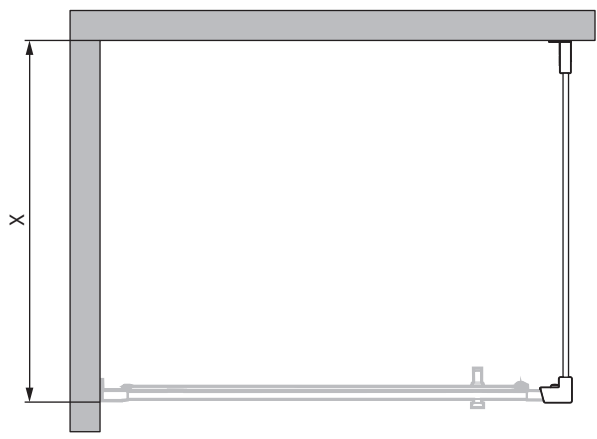
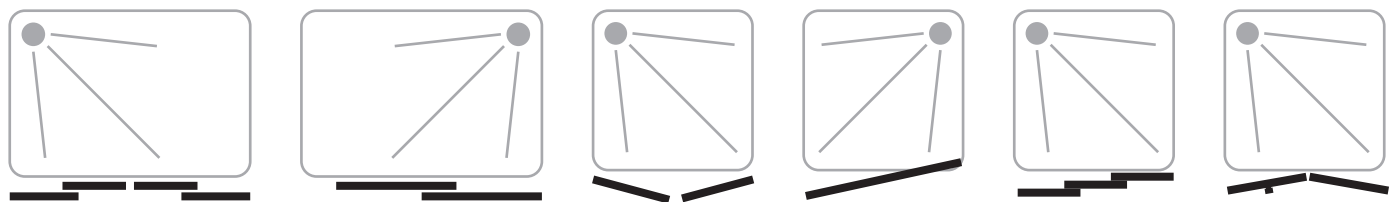
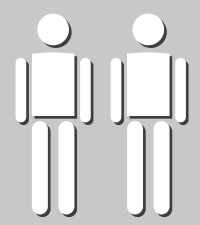
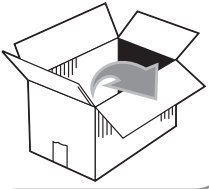


<hr/> <hr/> <hr/> <hr/>	<hr/> <hr/> <hr/> <hr/>
-------------------------	-------------------------

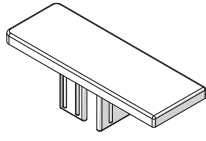


F68	X=68-71 cm	Z=195 cm
F73	X=73-76 cm	Z=195 cm
F78	X=78-81 cm	Z=195 cm
F83	X=83-86 cm	Z=195 cm
F88	X=88-91 cm	Z=195 cm
F93	X=93-96 cm	Z=195 cm
F98	X=98-101 cm	Z=195 cm
F118	X=118-121 cm	Z=195 cm

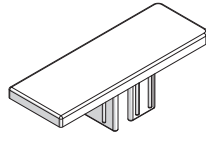




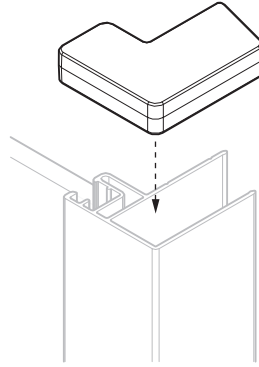
B2



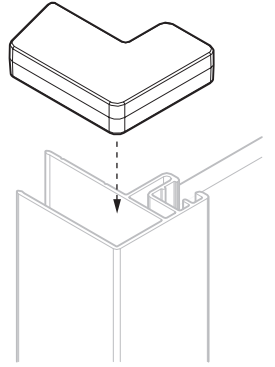
B3



B4



B5



C5



3,5x9,5 mm

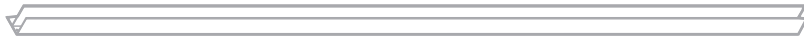
x2

C6



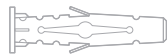
x4

M



C1

x2

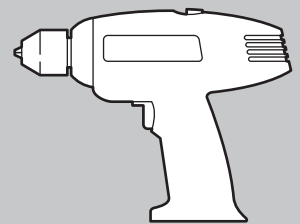
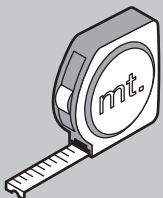
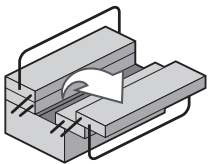


C2

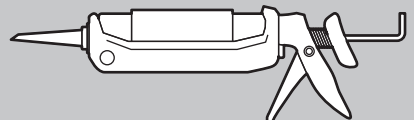
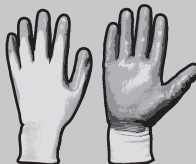
x2



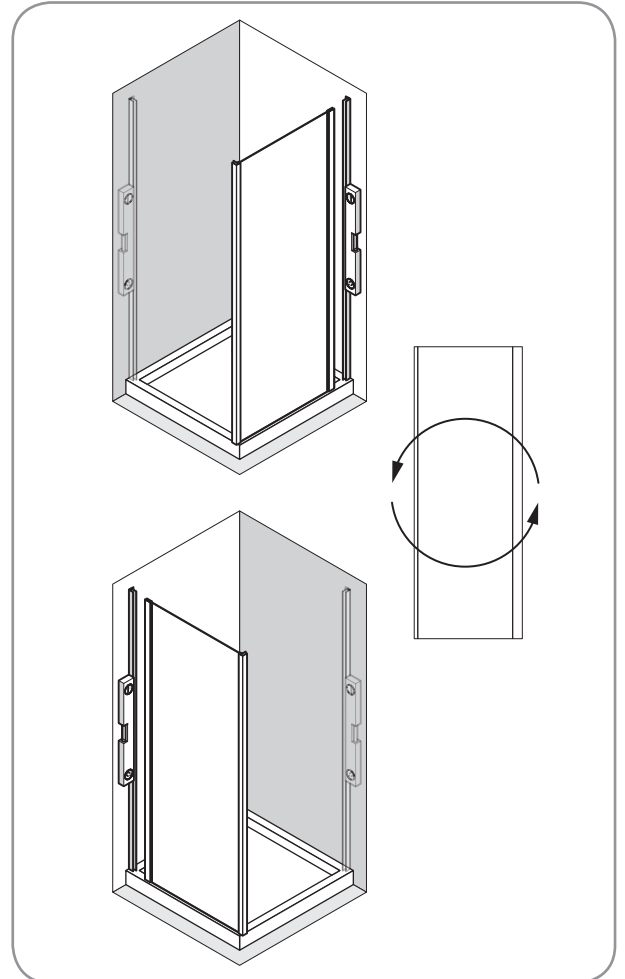
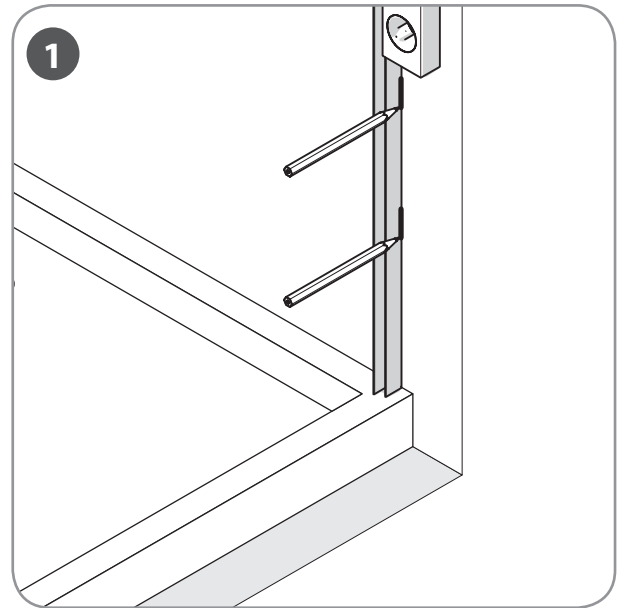
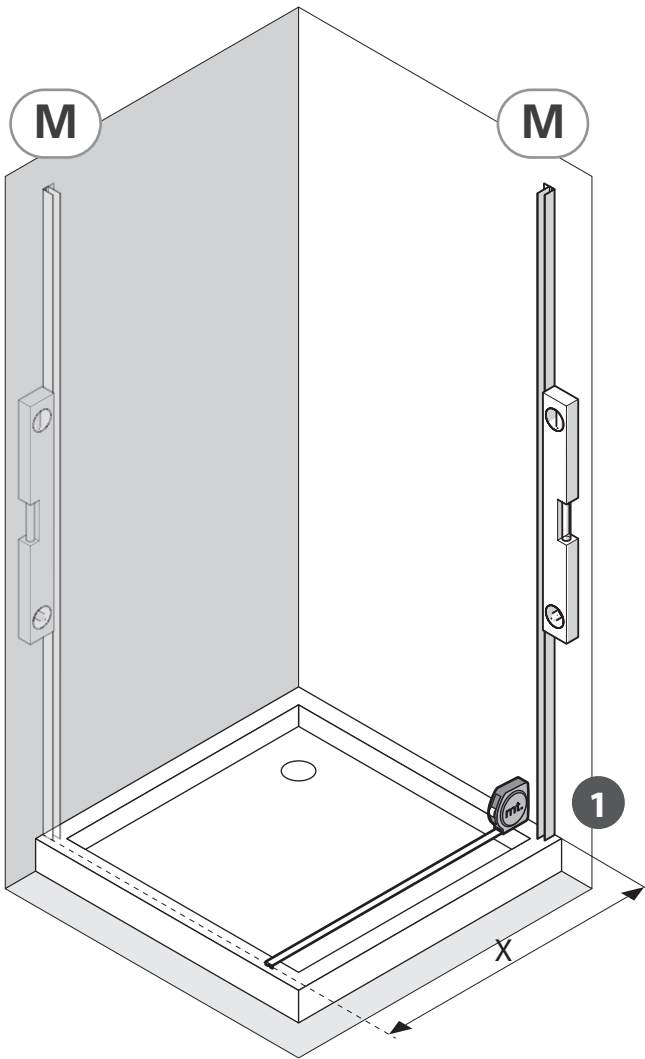
4X35 mm



ø6 mm



1



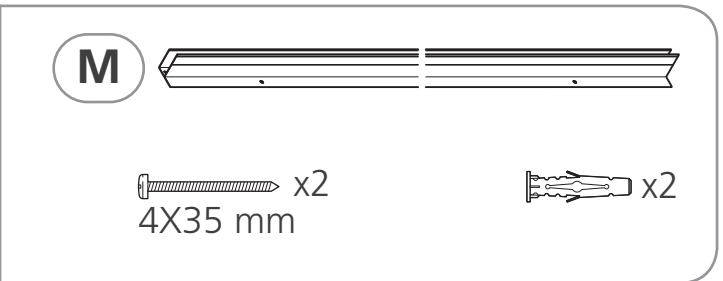
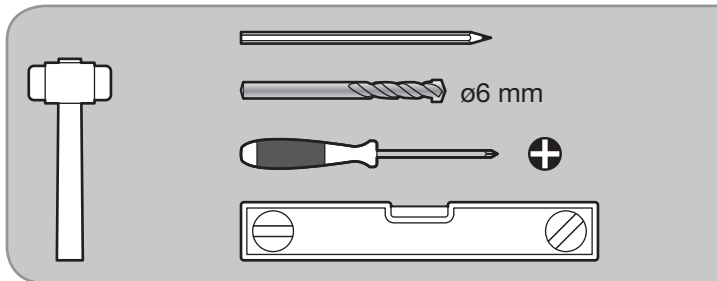
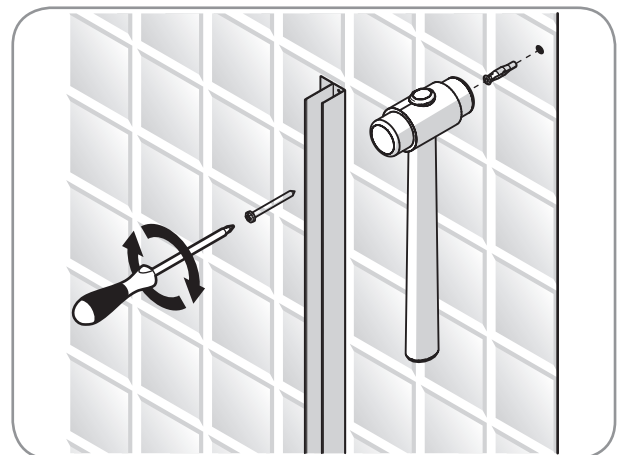
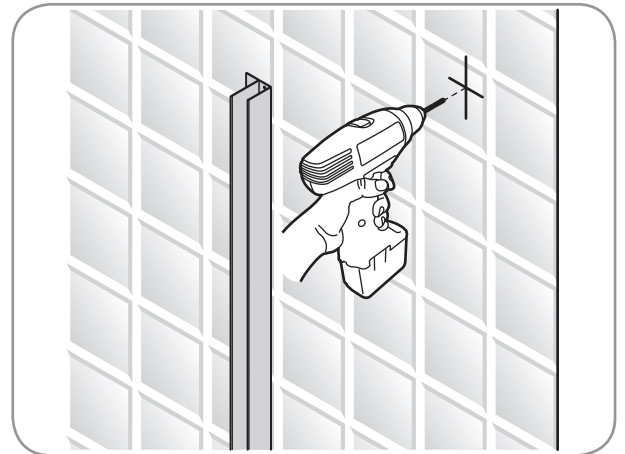
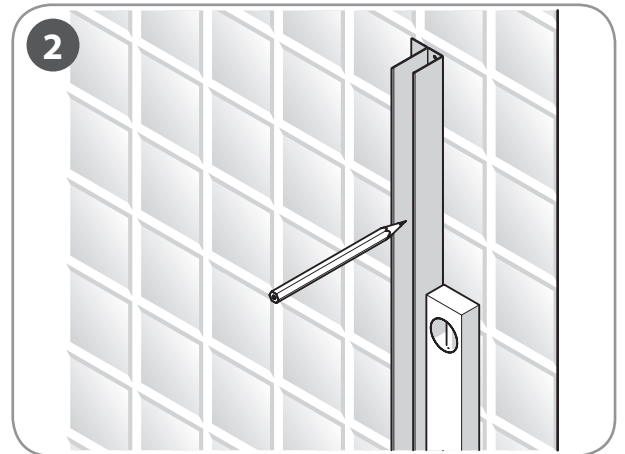
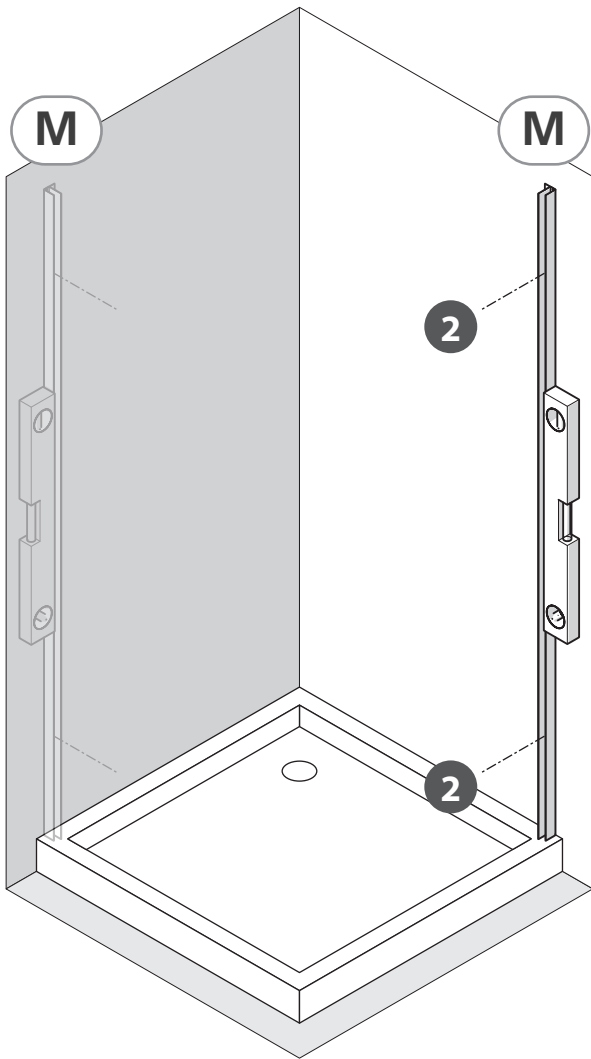
F68	X=68-71 cm
F73	X=73-76 cm
F78	X=78-81 cm
F83	X=83-86 cm
F88	X=88-91 cm
F93	X=93-96 cm
F98	X=98-101 cm
F118	X=118-121 cm



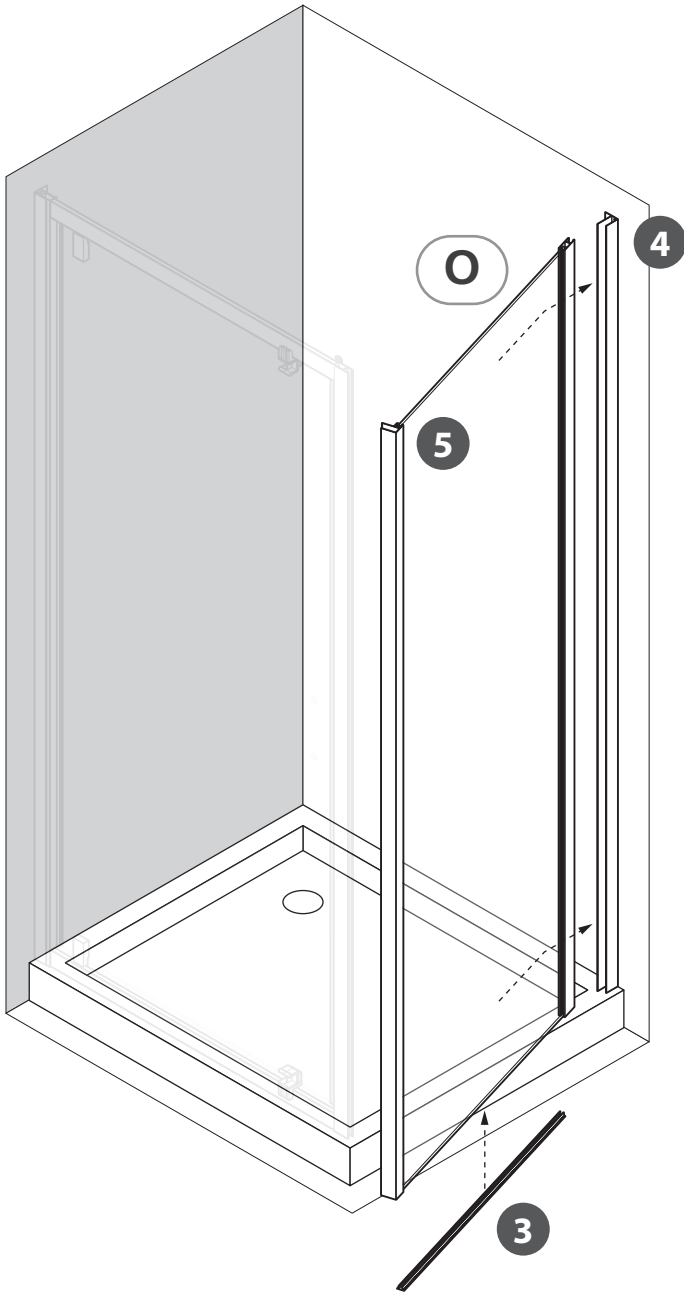
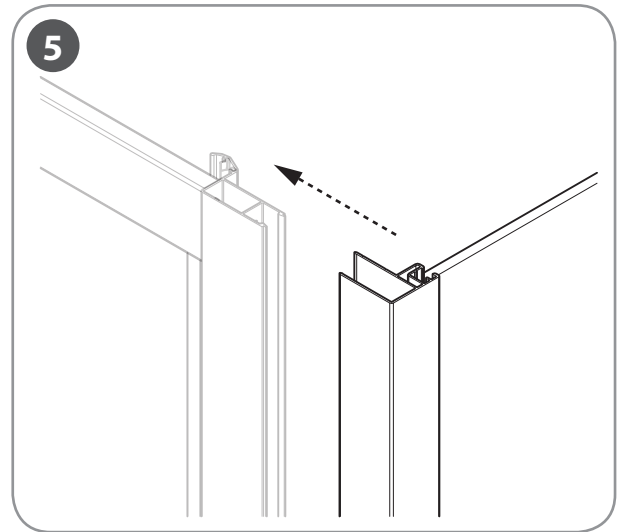
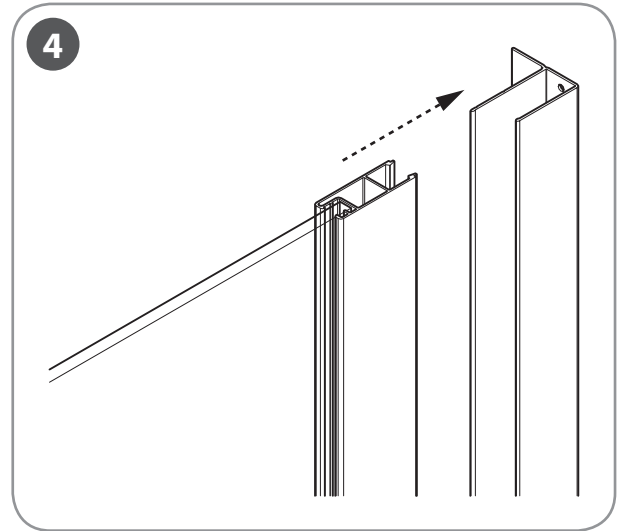
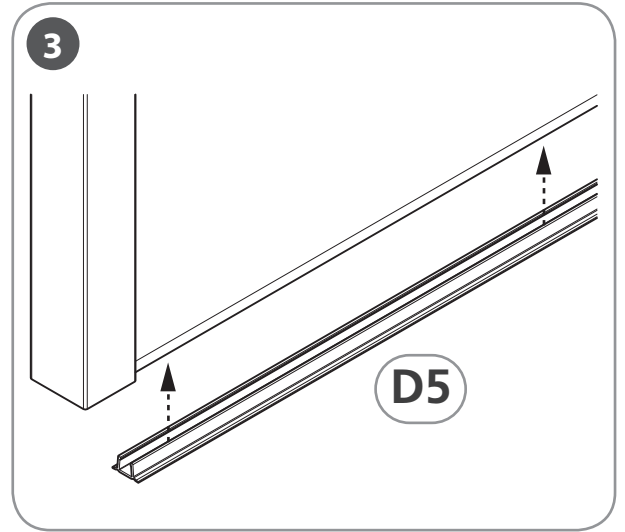
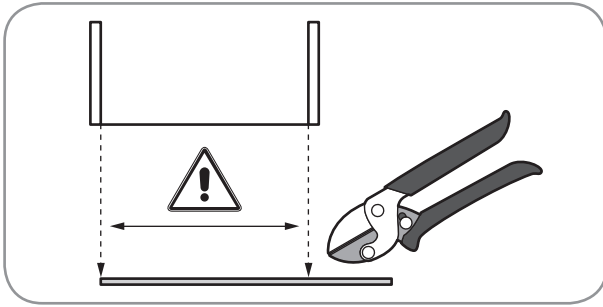
M



x2

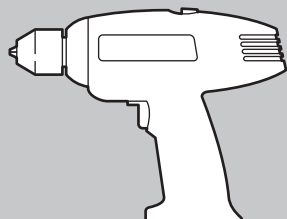
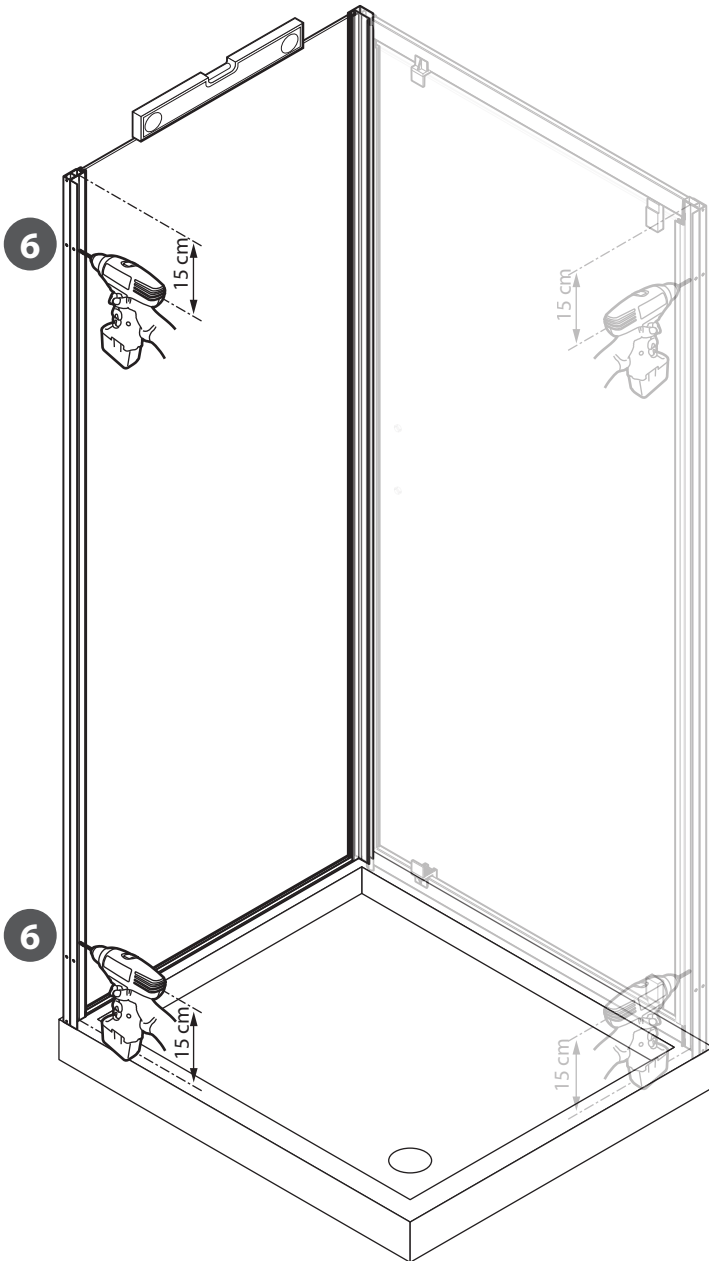
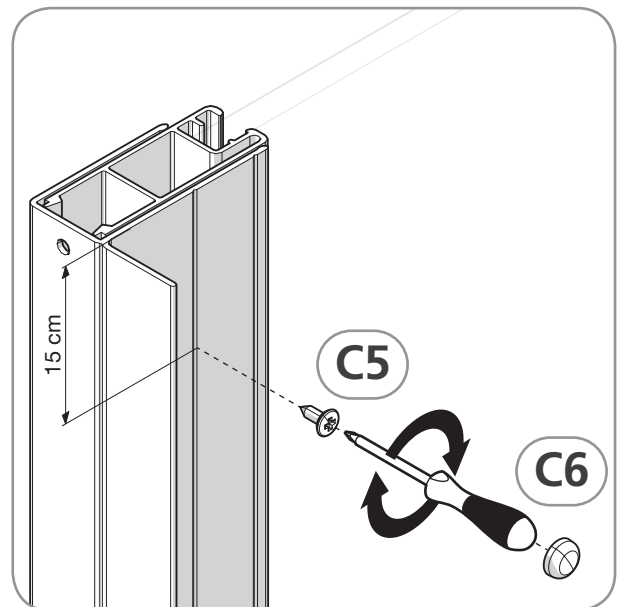
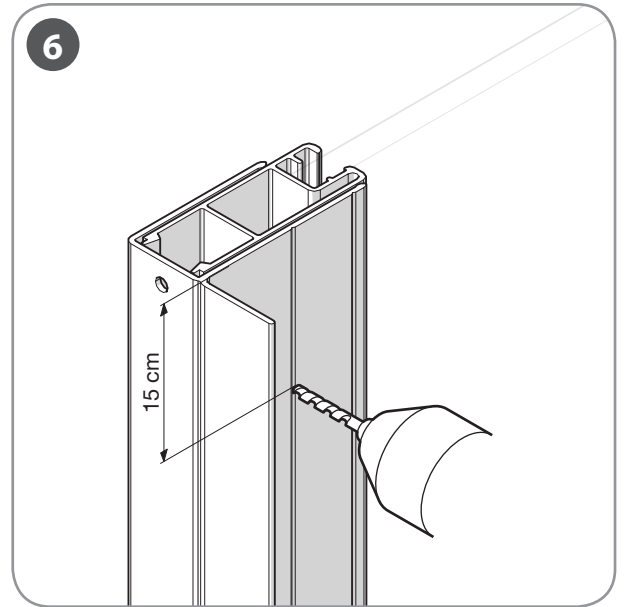
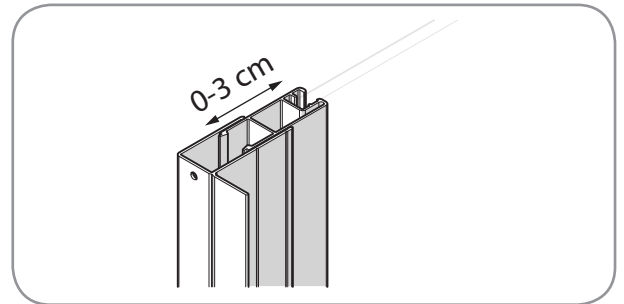
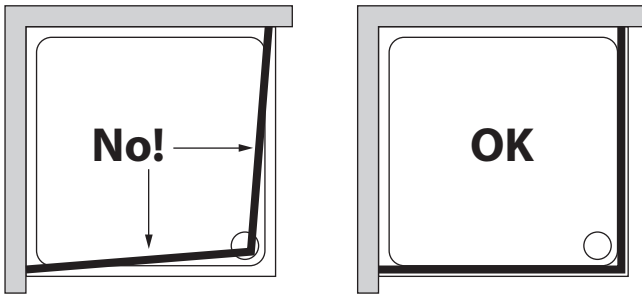


3



D5



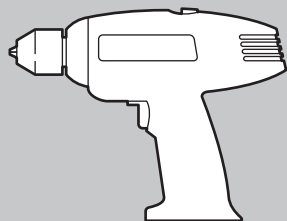
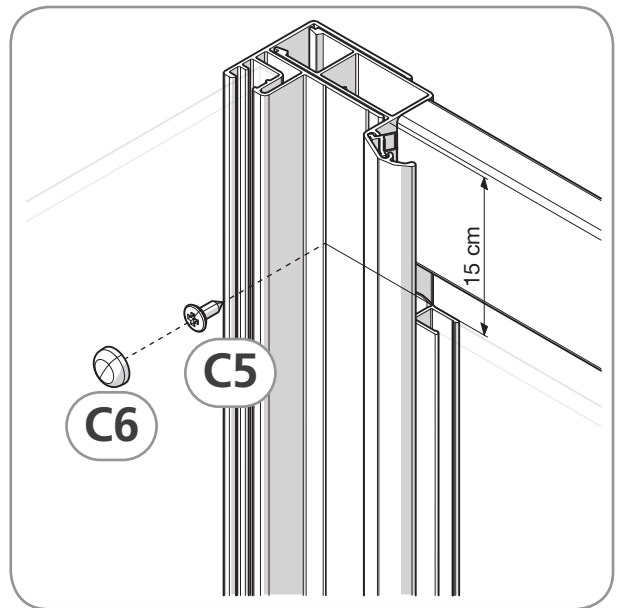
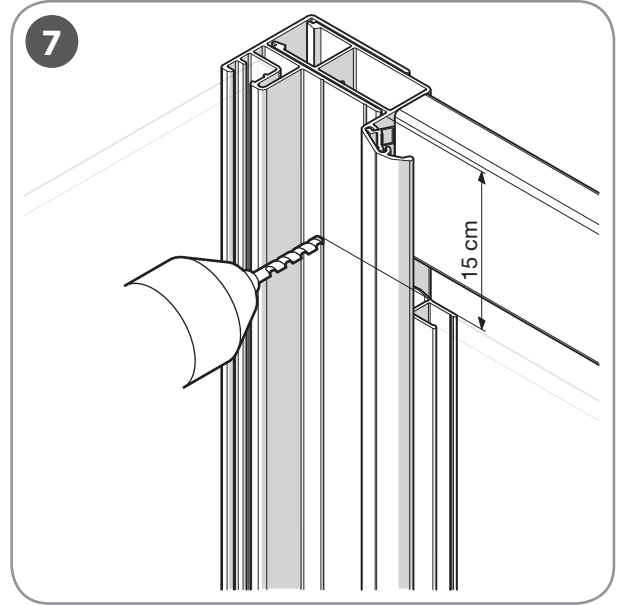
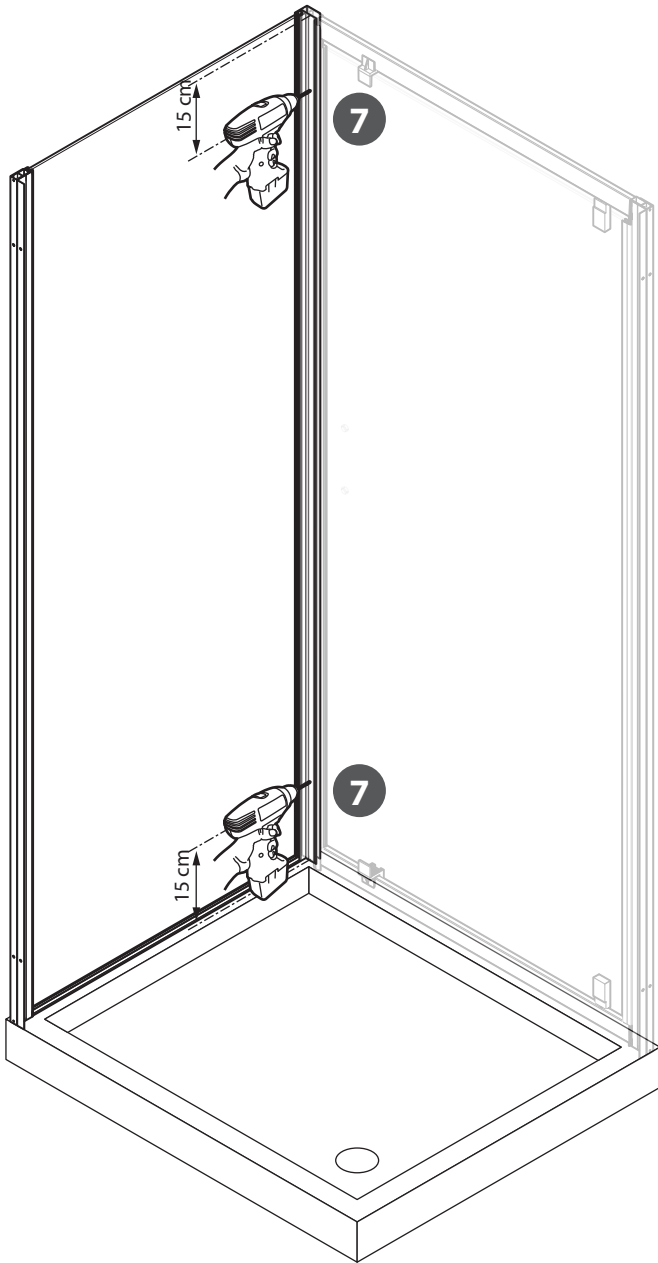


3,5x9,5 mm
x2



x2

5



ø3 mm

C5

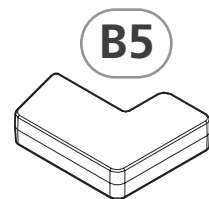
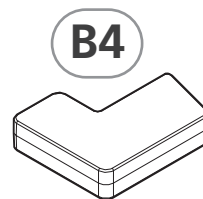
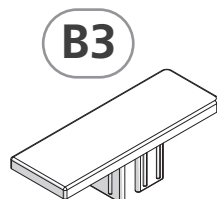
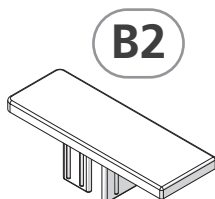
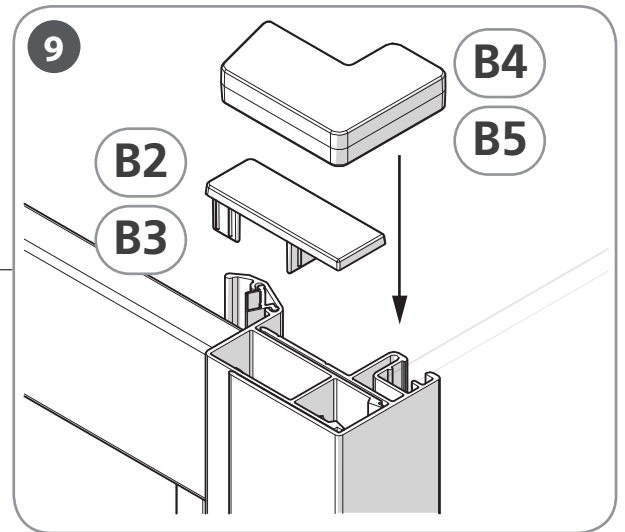
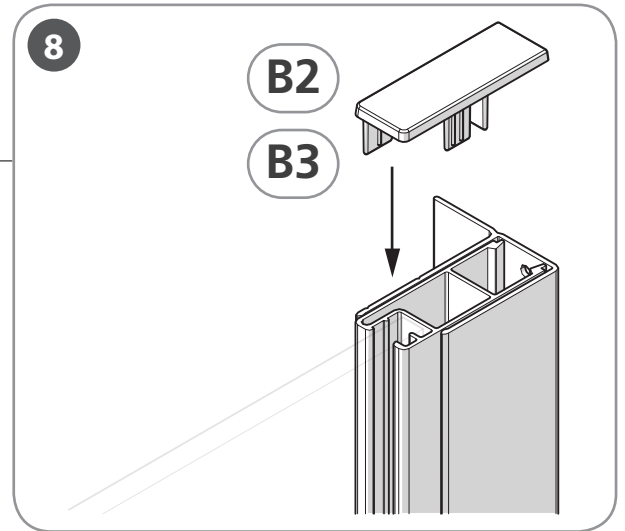
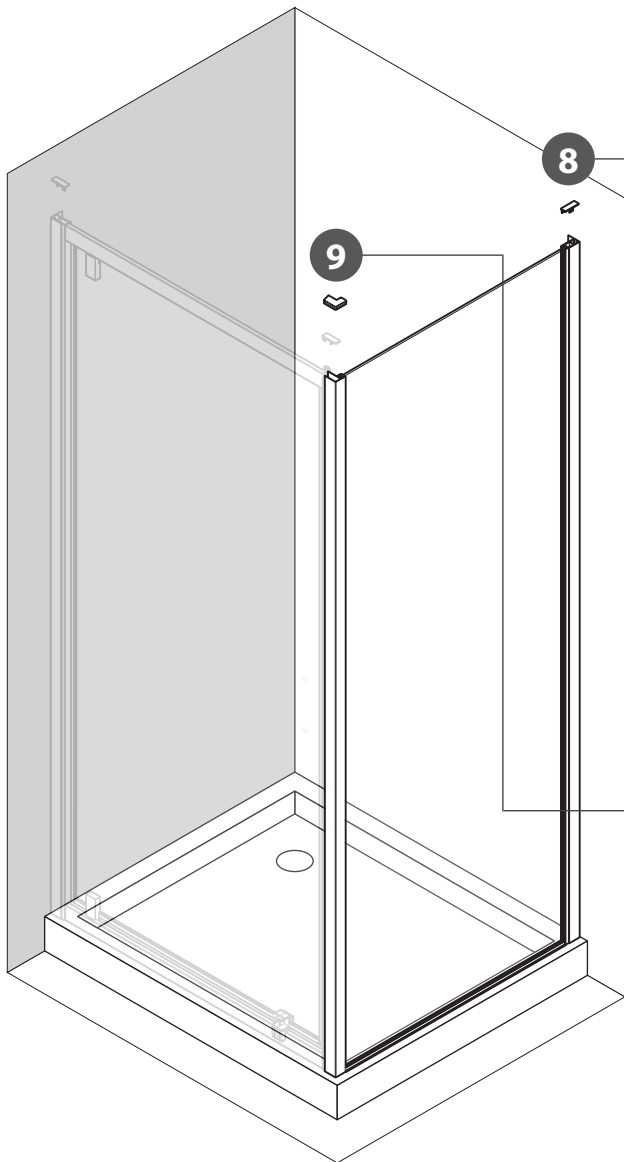


3,5x9,5 mm
x2

C6



x2



7

