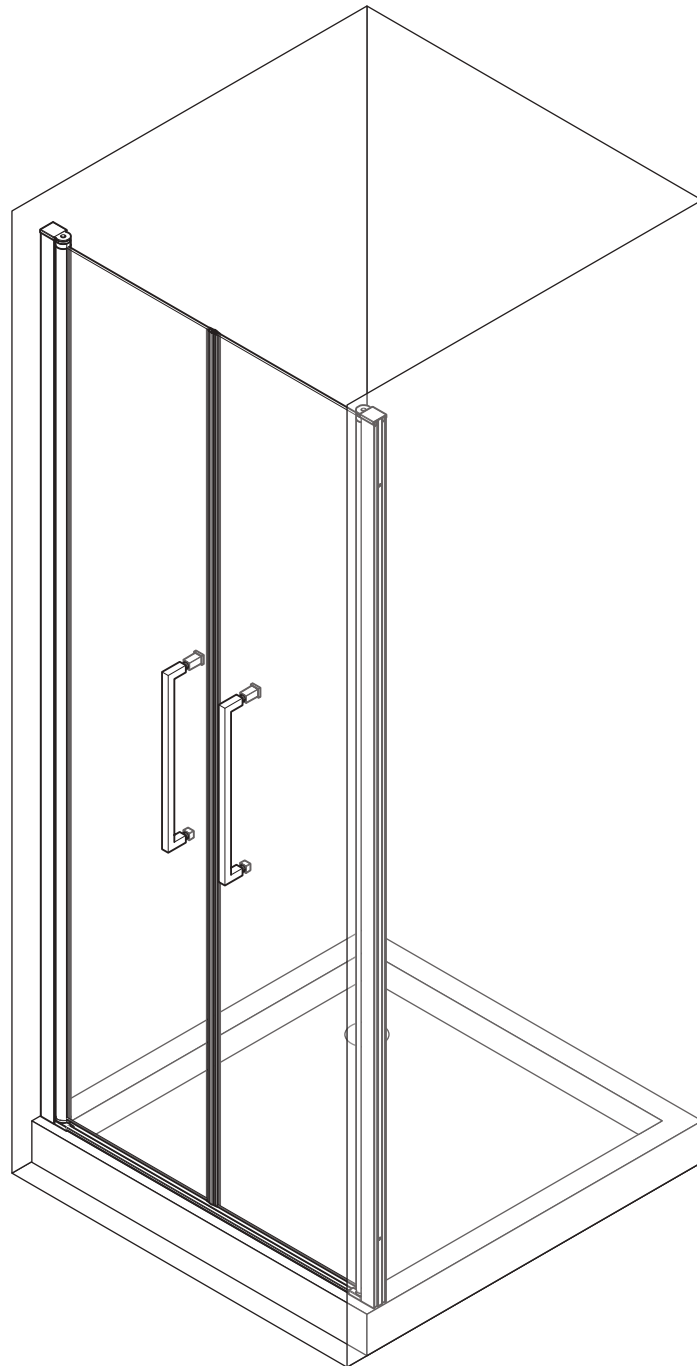
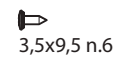
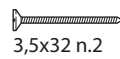
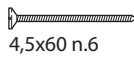
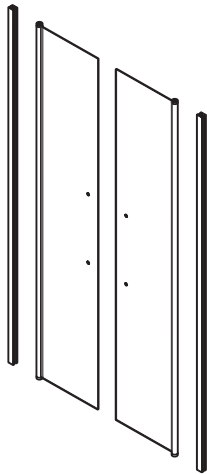
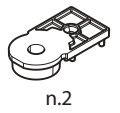
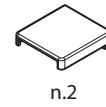
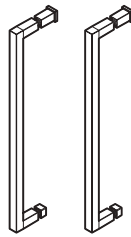
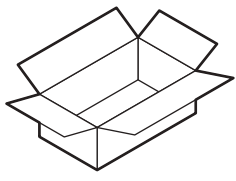
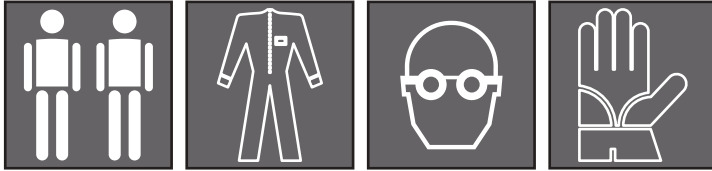
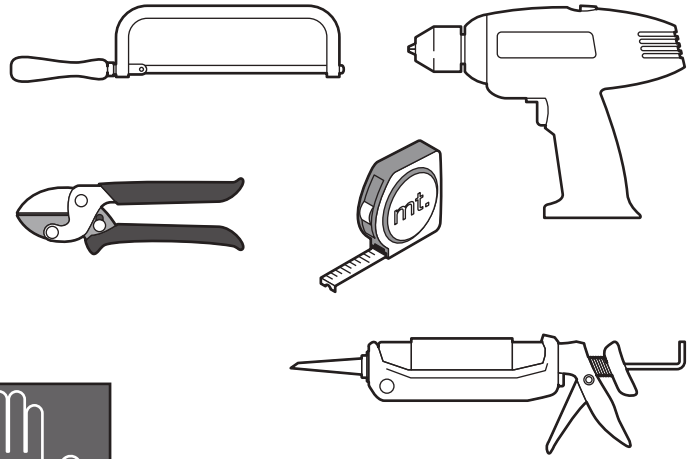
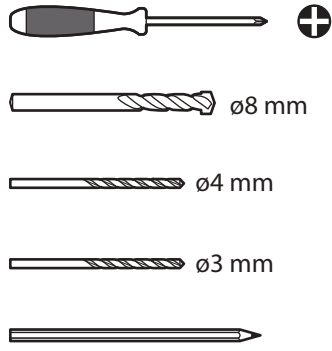
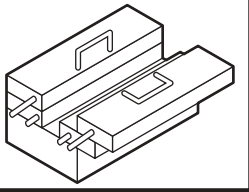


2B





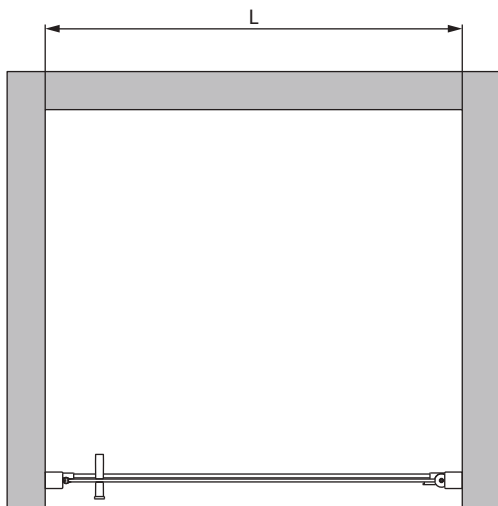
x2



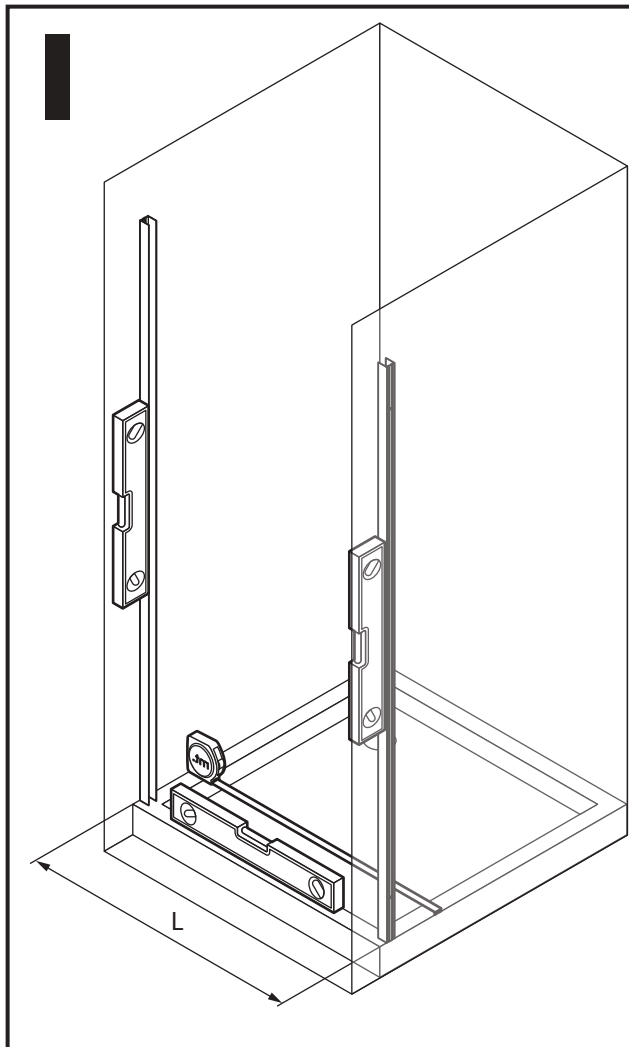
x2



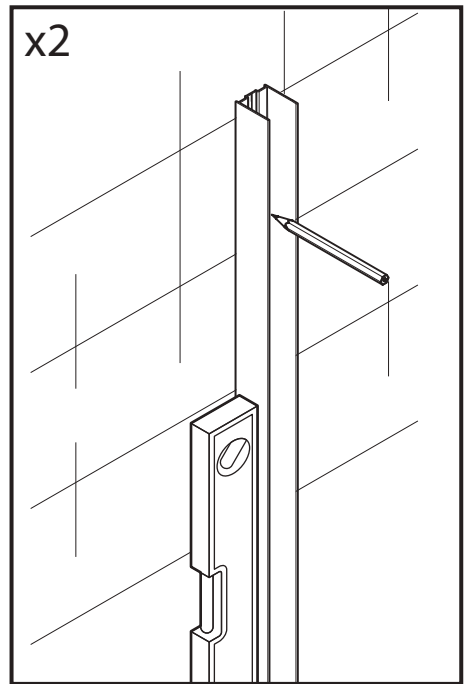
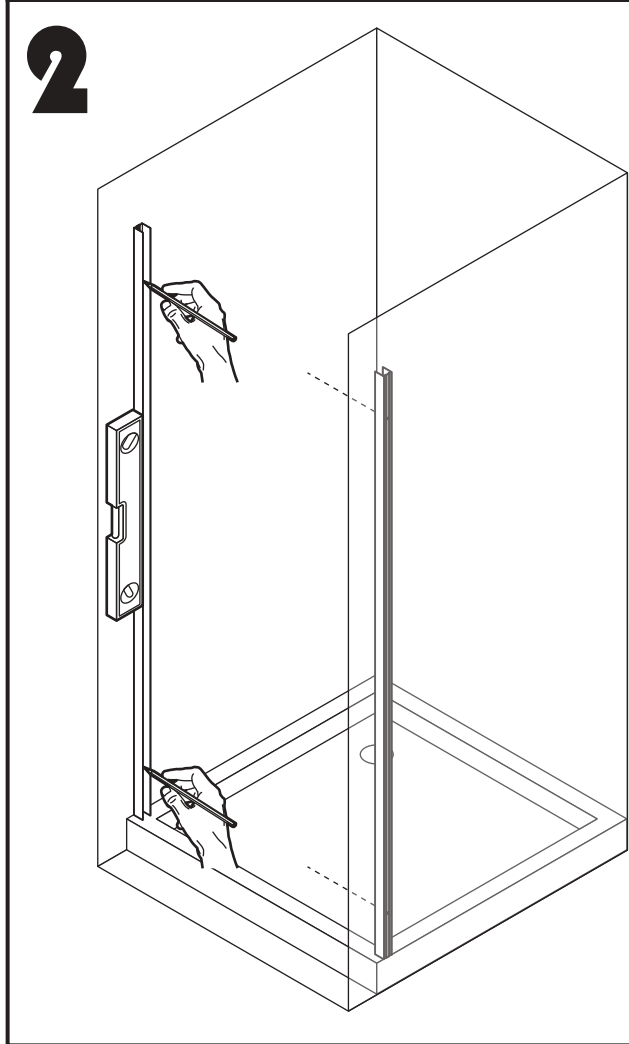
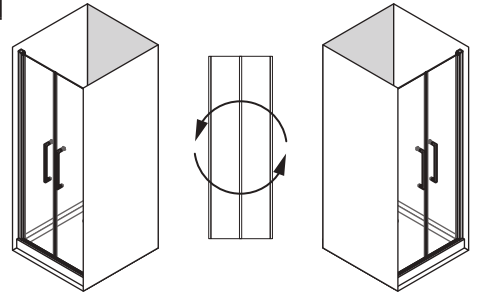
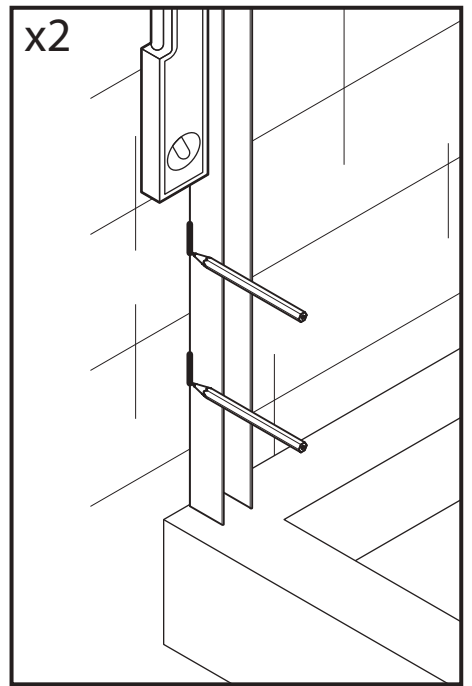
x1



2B57	L=57-61 cm	2B103	L=103-107 cm
2B63	L=63-67 cm	2B107	L=107-111 cm
2B67	L=67-71 cm	2B113	L=113-117 cm
2B71	L=71-75 cm	2B117	L=117-121 cm
2B73	L=73-77 cm	2B137	L=137-141 cm
2B77	L=77-81 cm	2B147	L=147-151 cm
2B83	L=83-87 cm	2B157	L=157-161 cm
2B87	L=87-91 cm	2B167	L=167-171 cm
2B93	L=93-97 cm	2B177	L=177-181 cm
2B97	L=97-101 cm		



2B57	L=57-61 cm
2B63	L=63-67 cm
2B67	L=67-71 cm
2B71	L=71-75 cm
2B73	L=73-77 cm
2B77	L=77-81 cm
2B83	L=83-87 cm
2B87	L=87-91 cm
2B93	L=93-97 cm
2B97	L=97-101 cm
2B103	L=103-107 cm
2B107	L=107-111 cm
2B113	L=113-117 cm
2B117	L=117-121 cm
2B137	L=137-141 cm
2B147	L=147-151 cm
2B157	L=157-161 cm
2B167	L=167-171 cm
2B177	L=177-181 cm

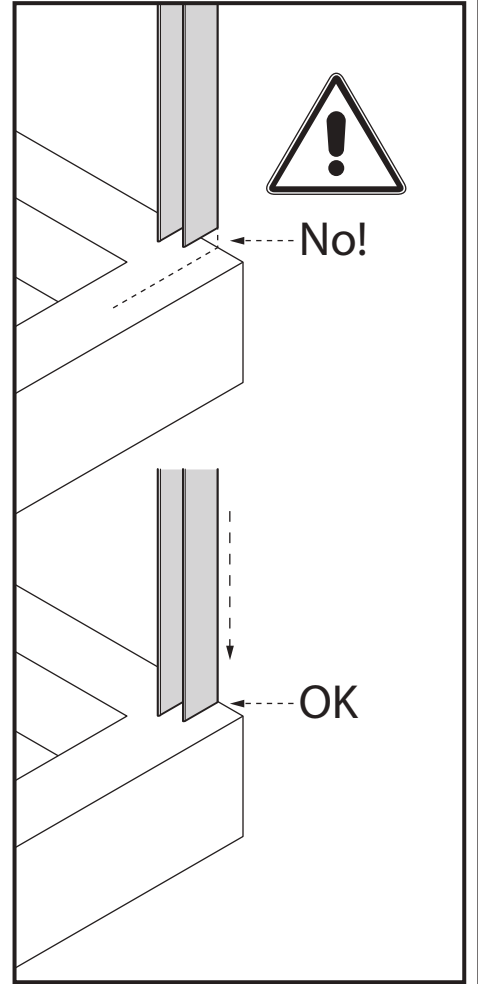
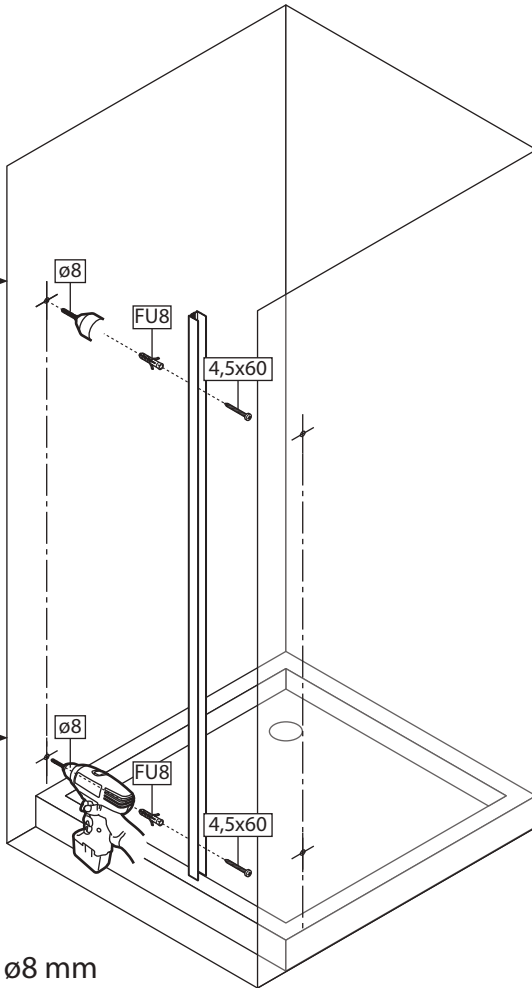


3

2°

1°

Ø8 mm

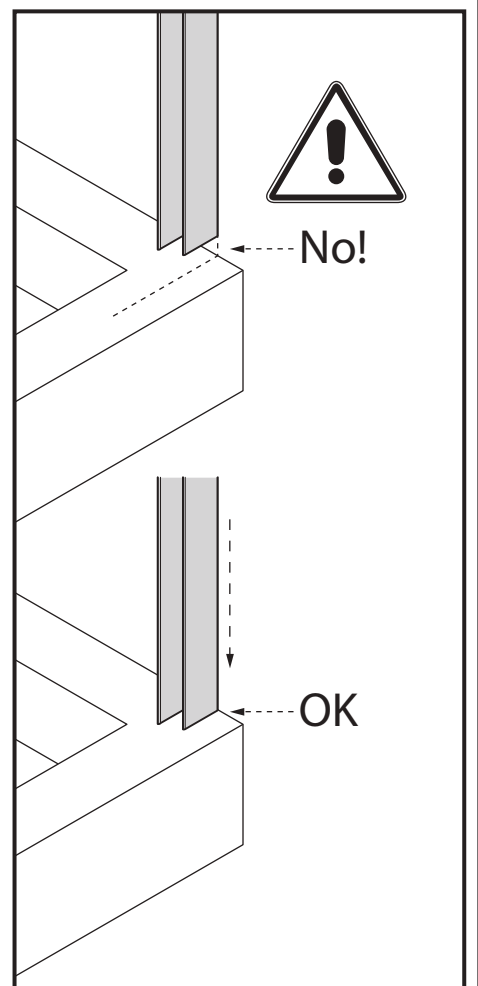
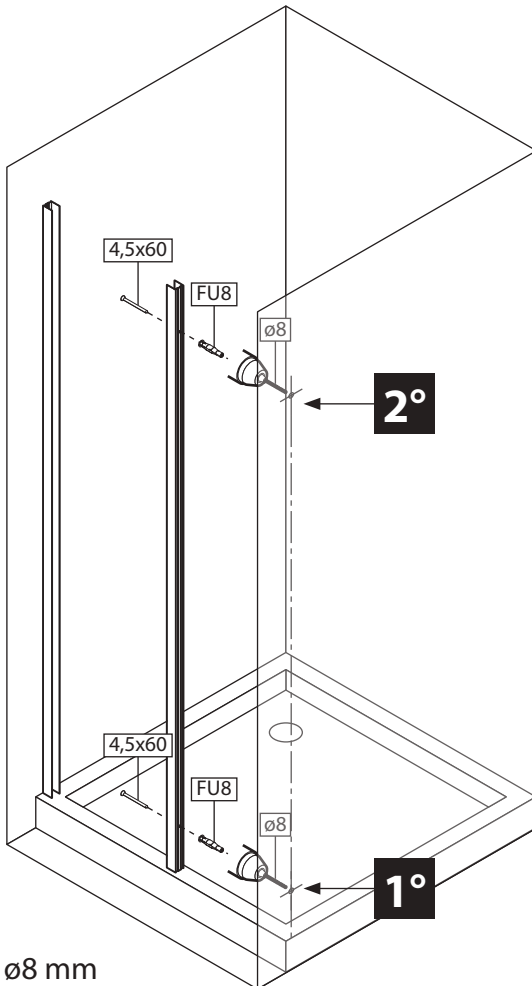


4

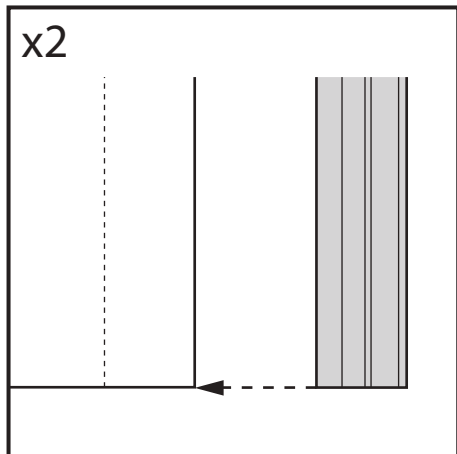
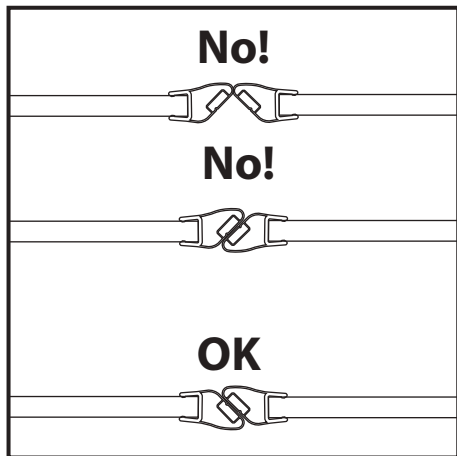
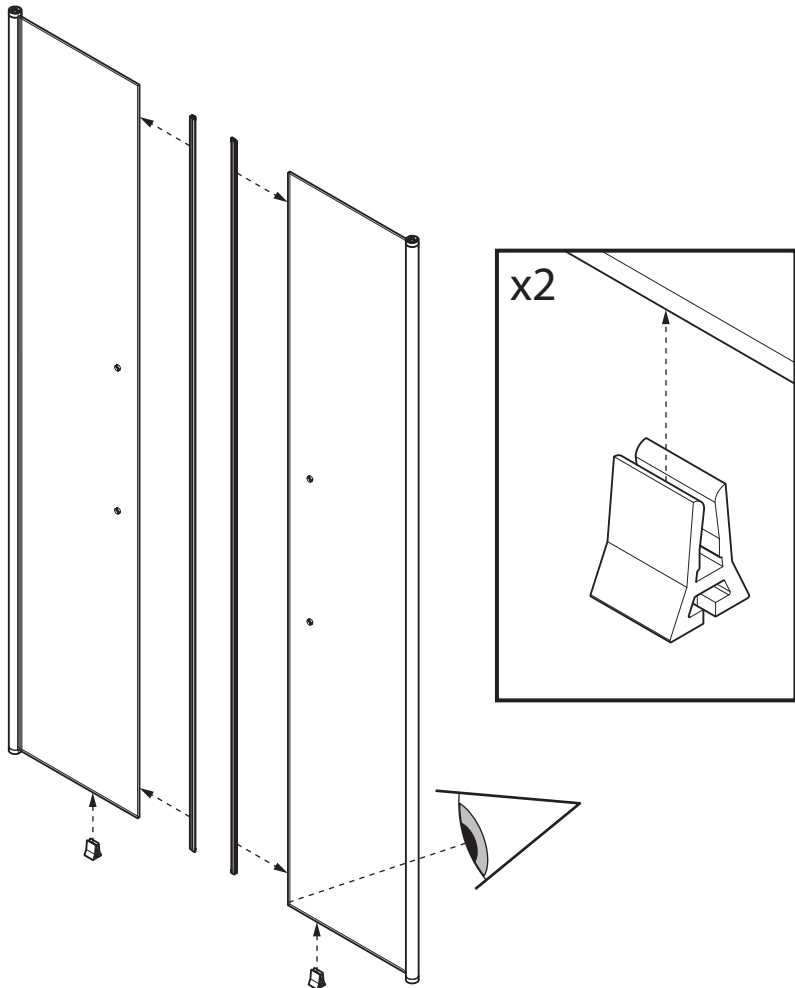
2°

1°

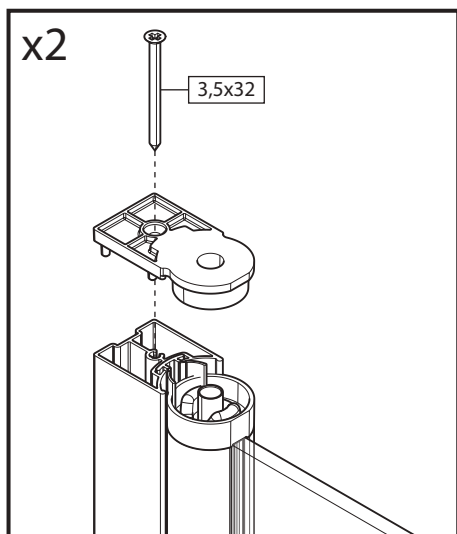
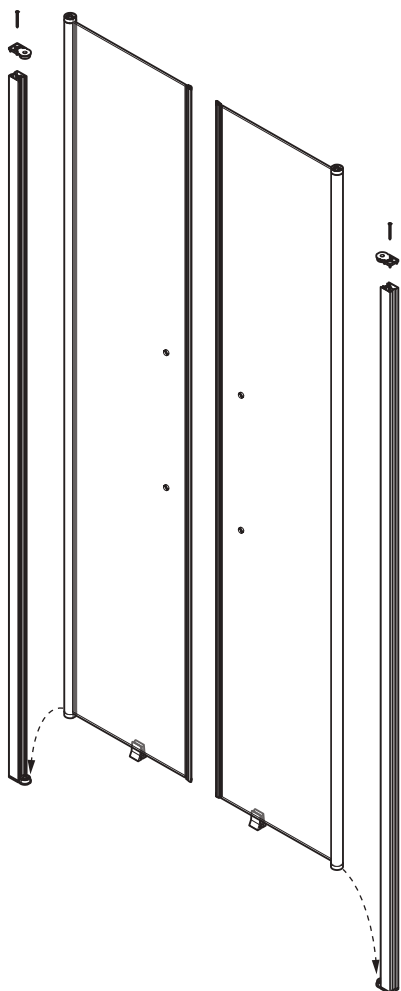
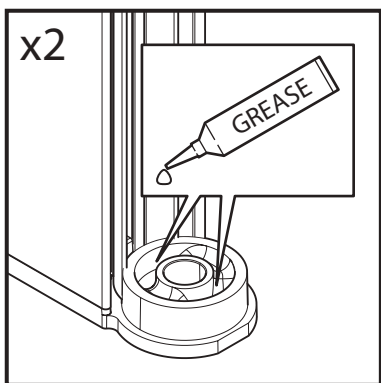
Ø8 mm



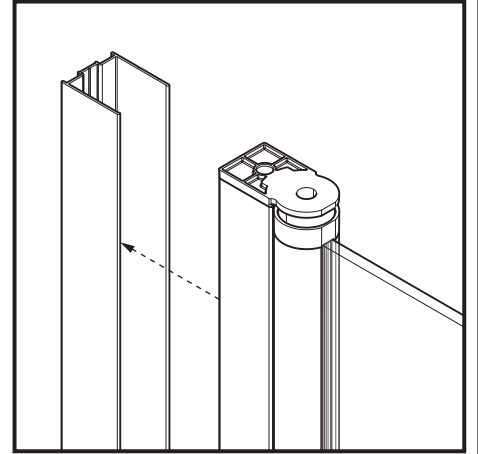
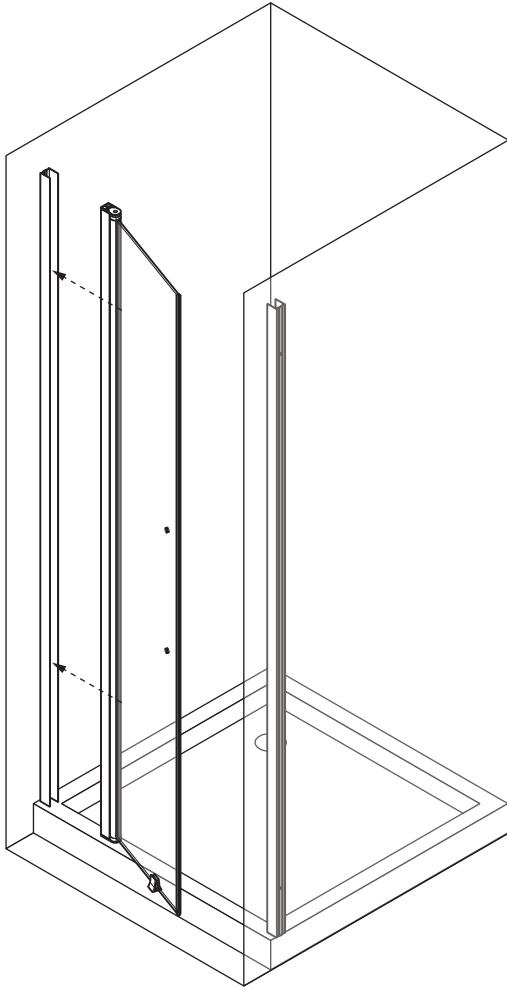
5



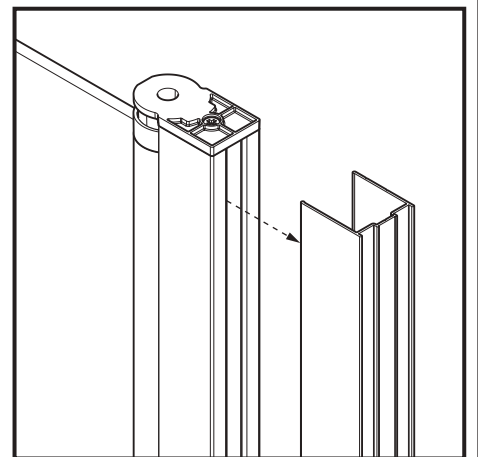
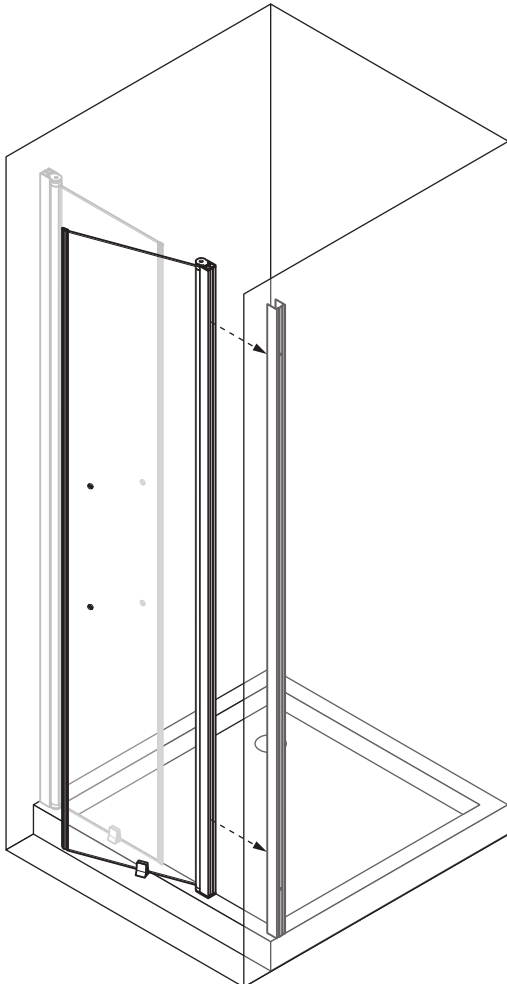
6



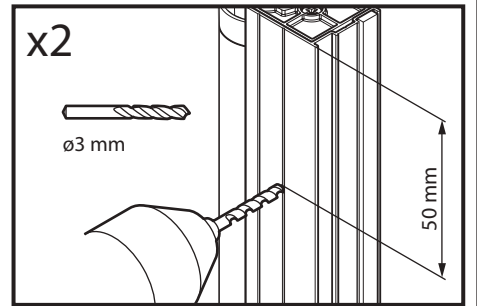
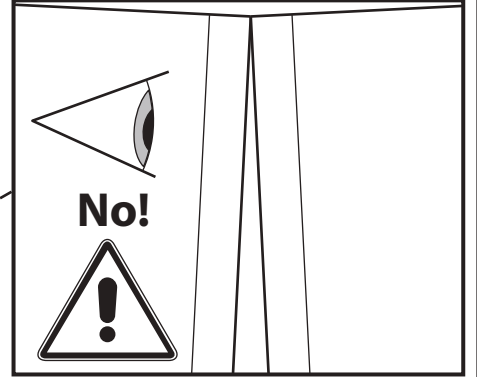
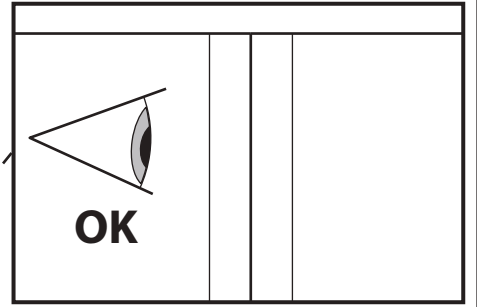
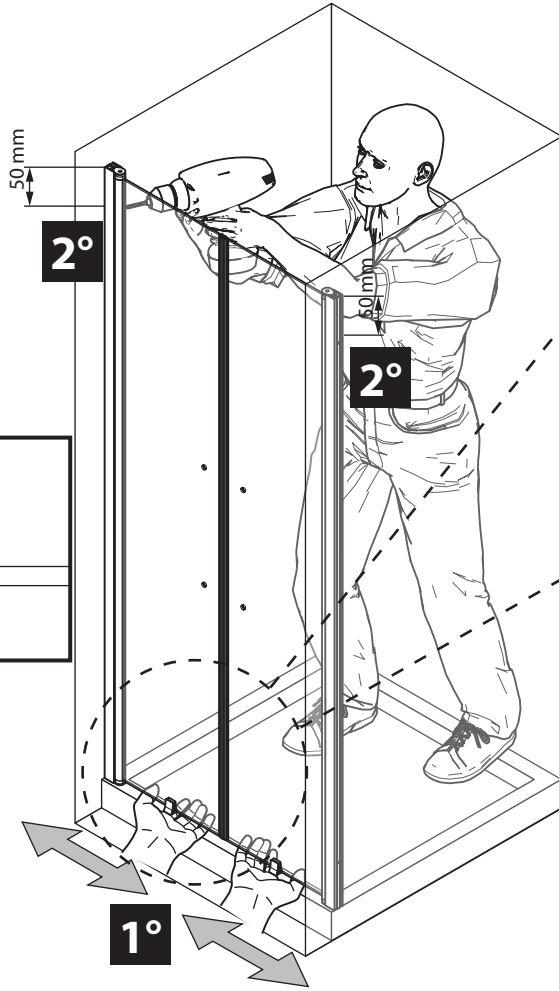
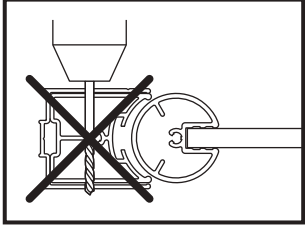
7



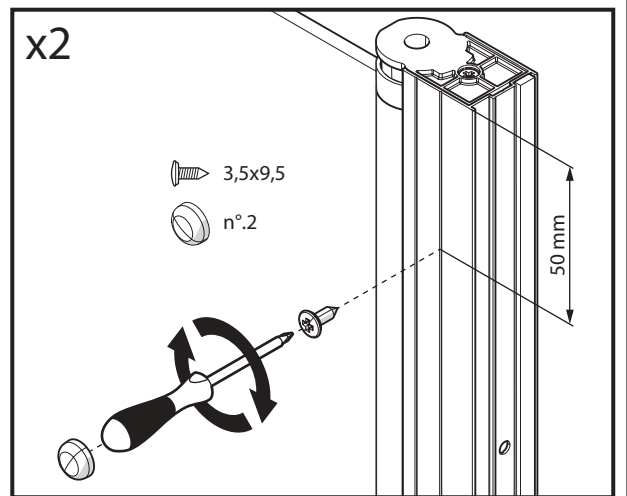
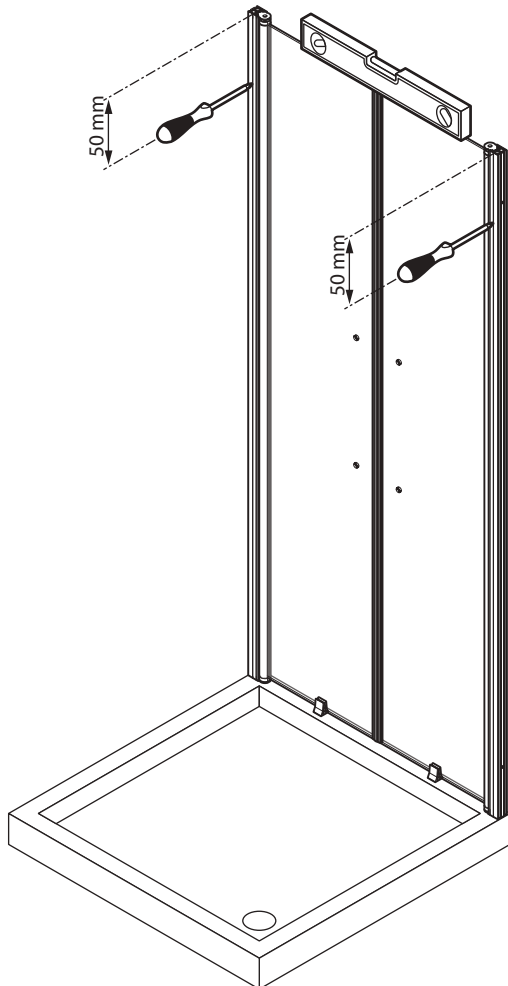
8



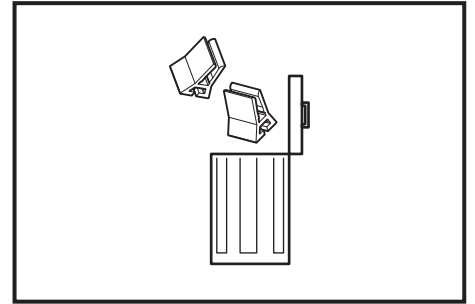
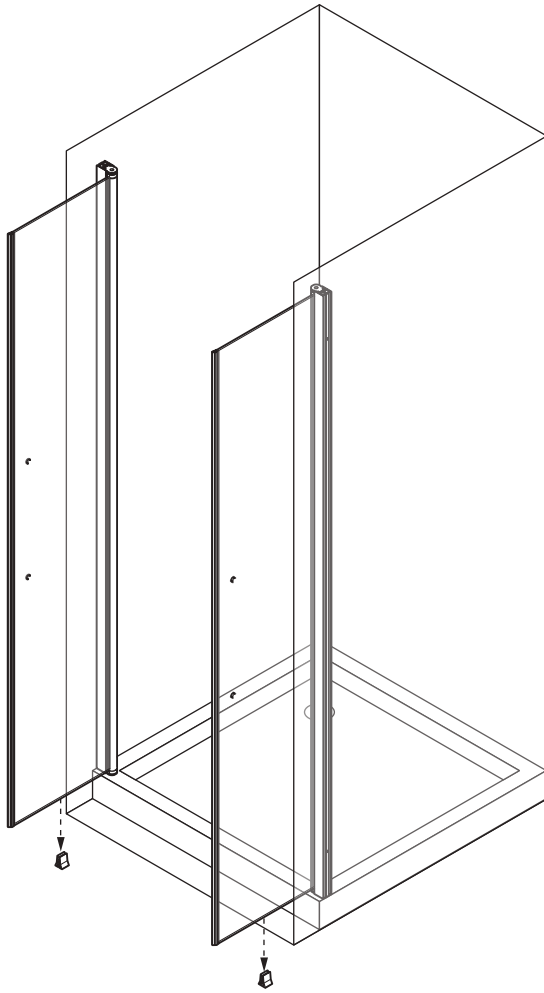
9



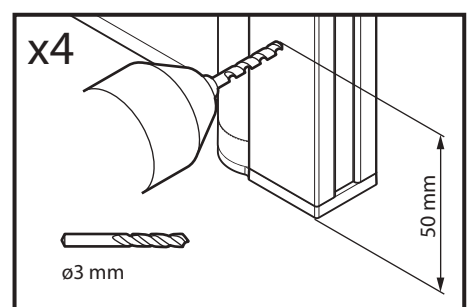
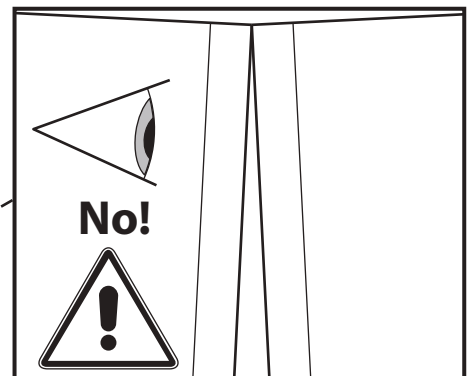
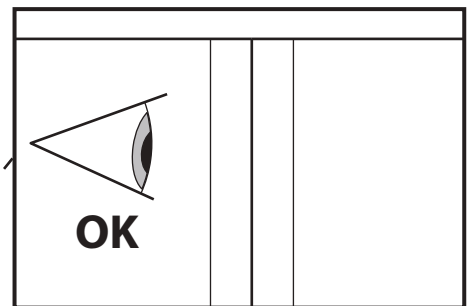
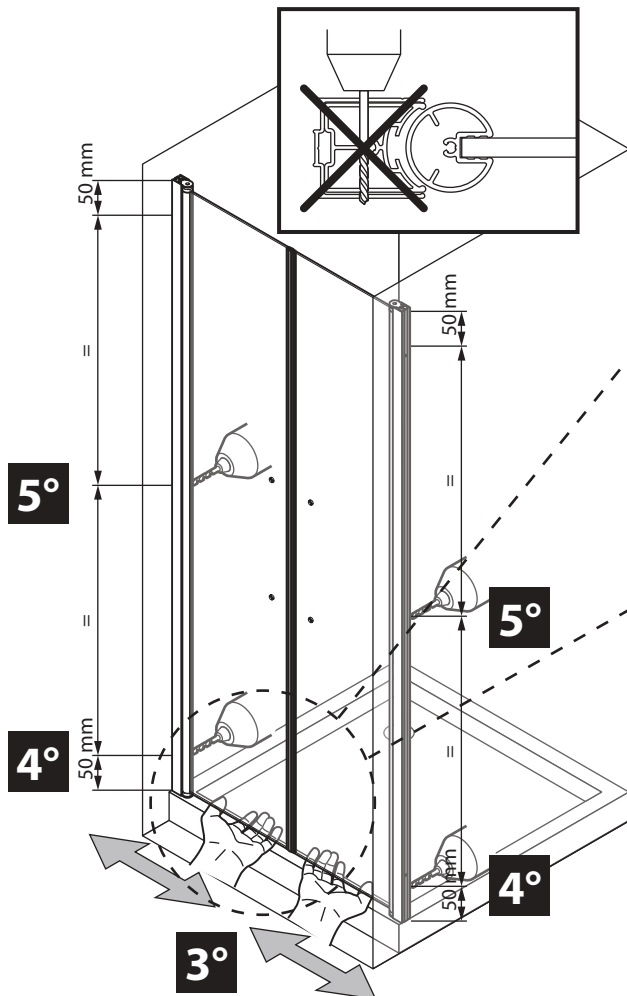
10



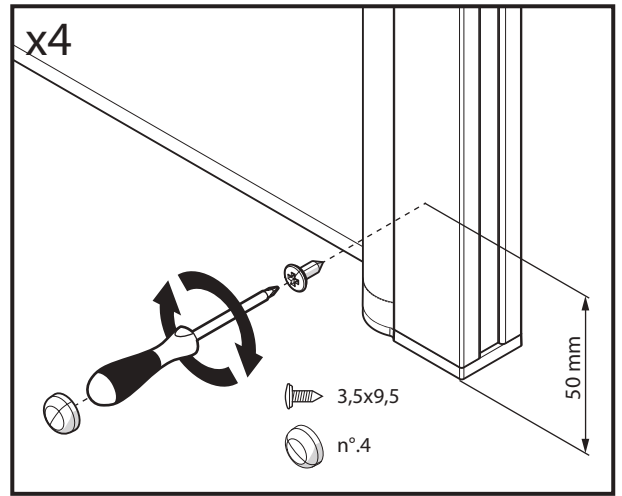
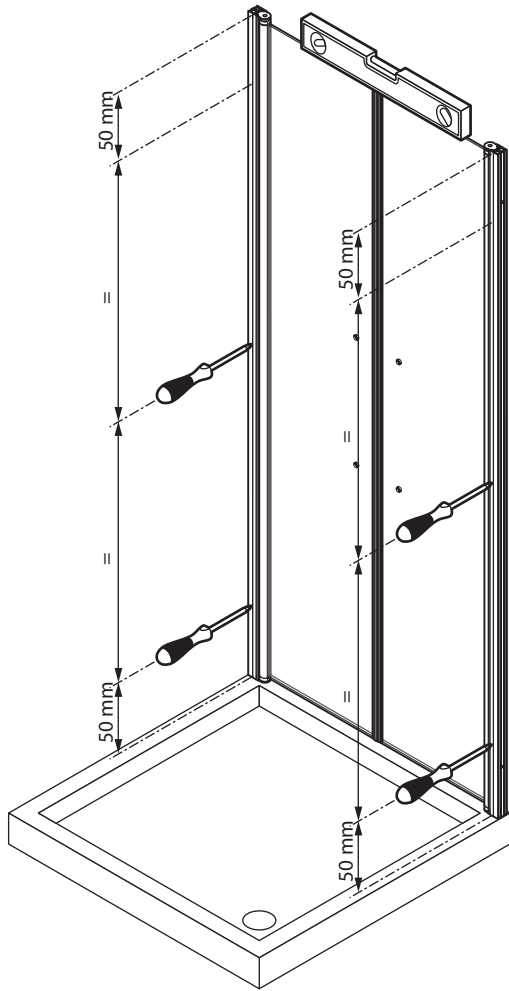
1



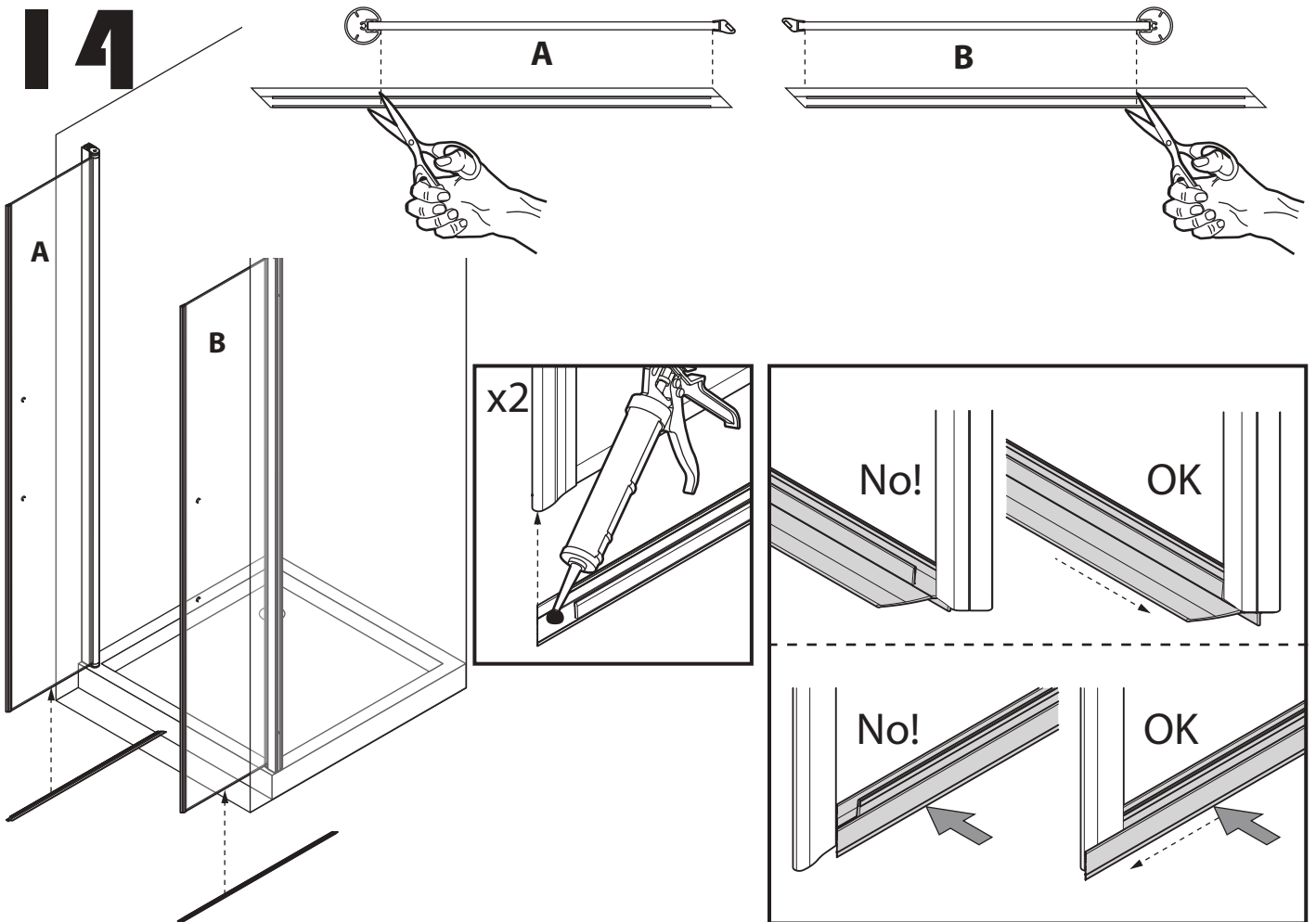
12



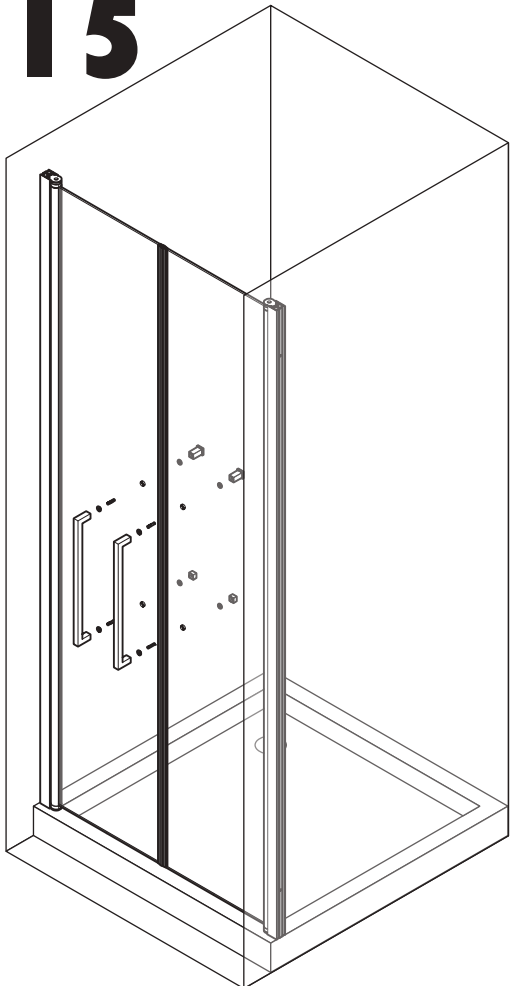
13



14

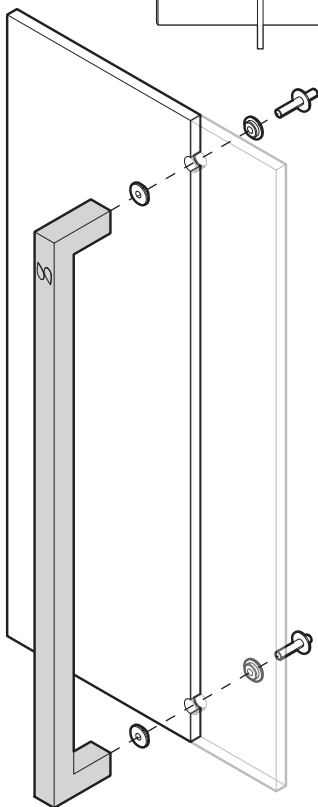


15



x2

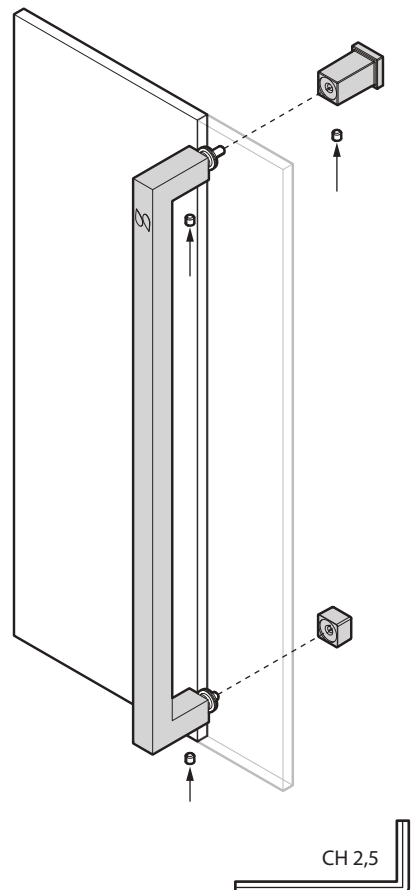
31 mm



25 mm

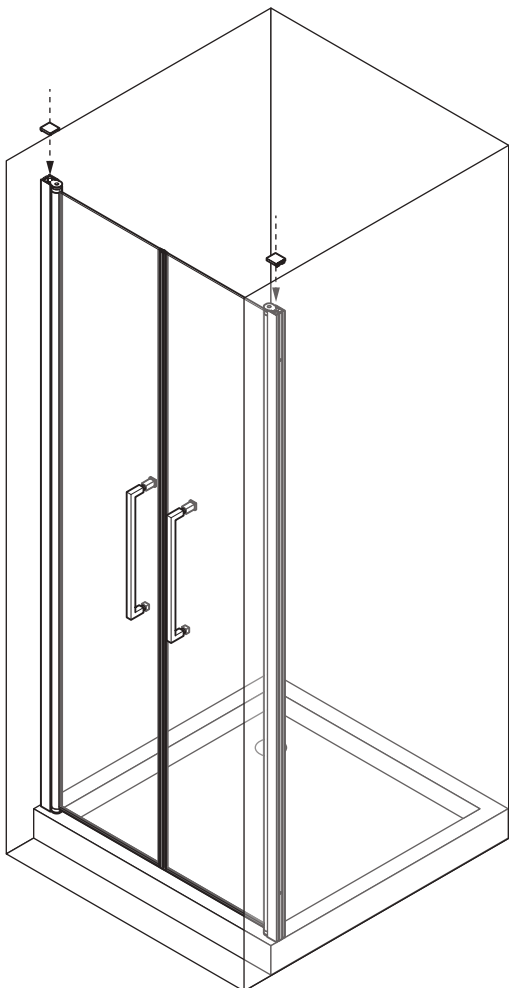


x2

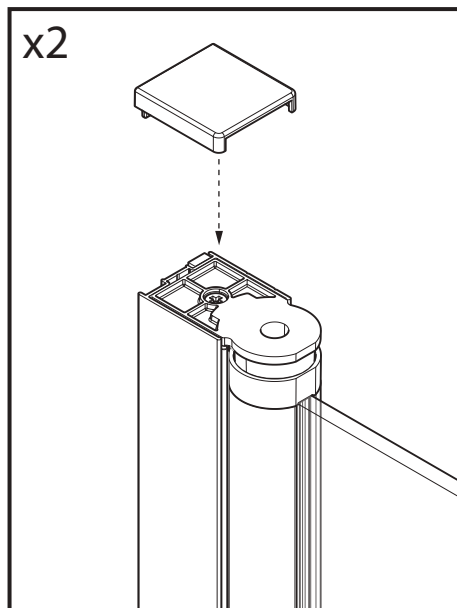


CH 2,5

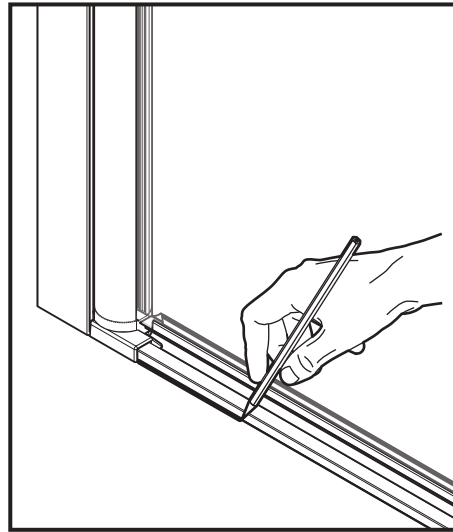
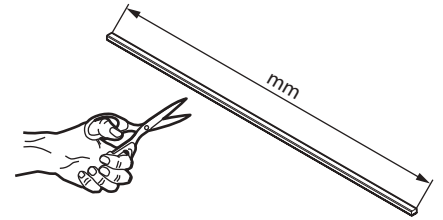
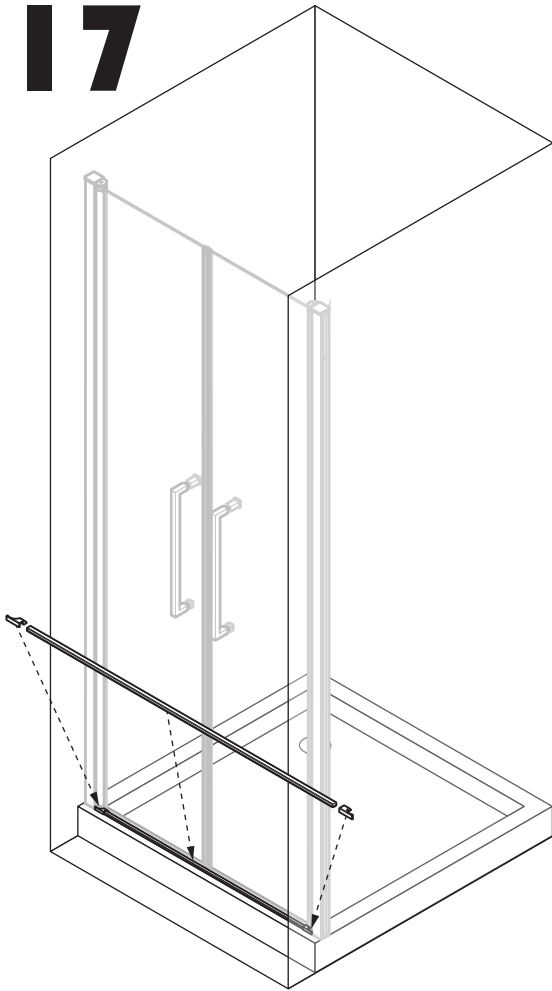
16



x2

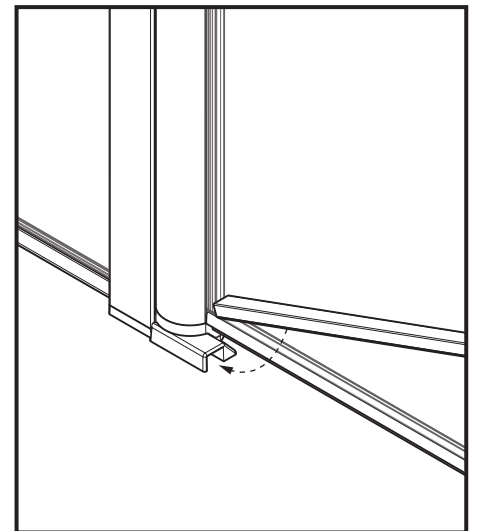
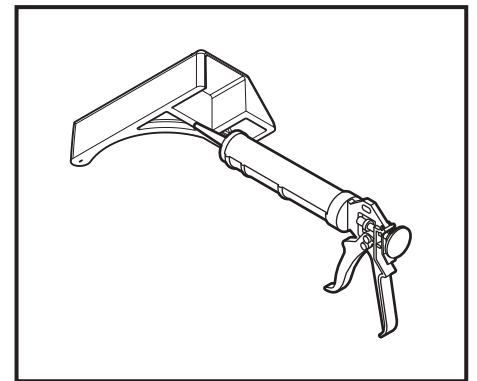
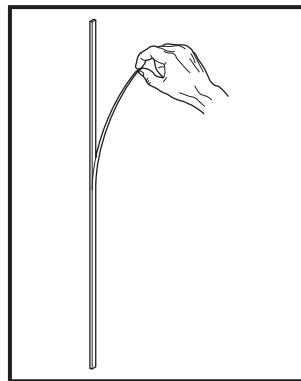
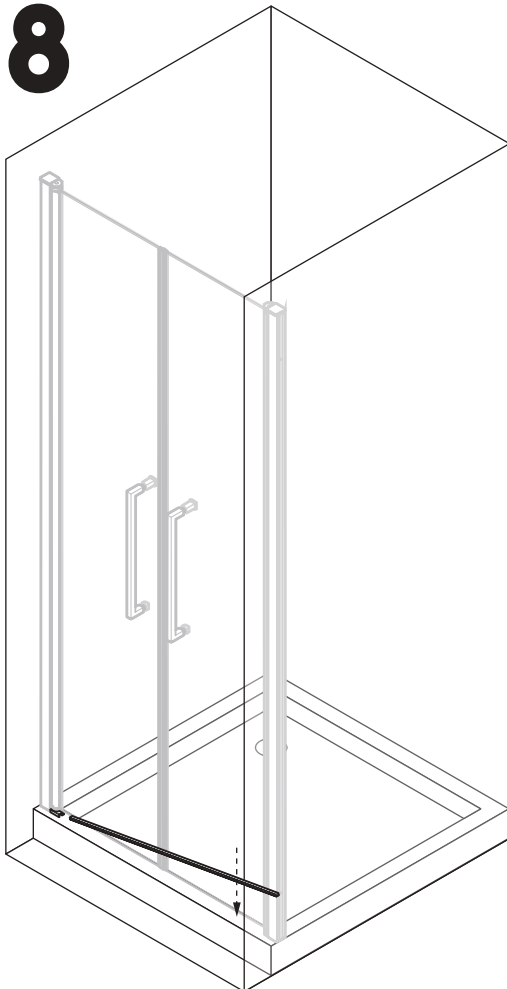


17

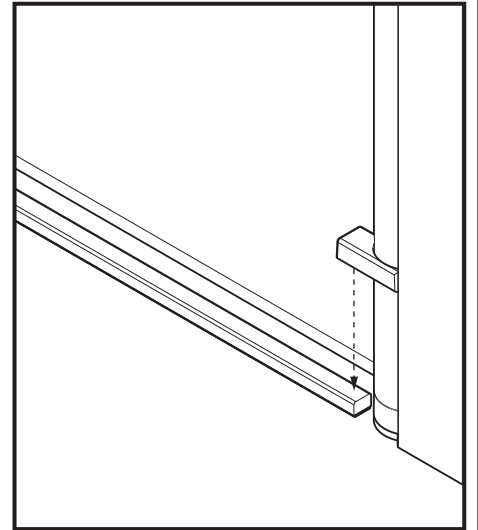
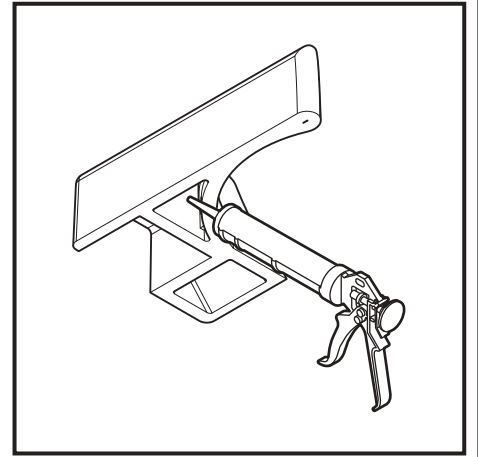
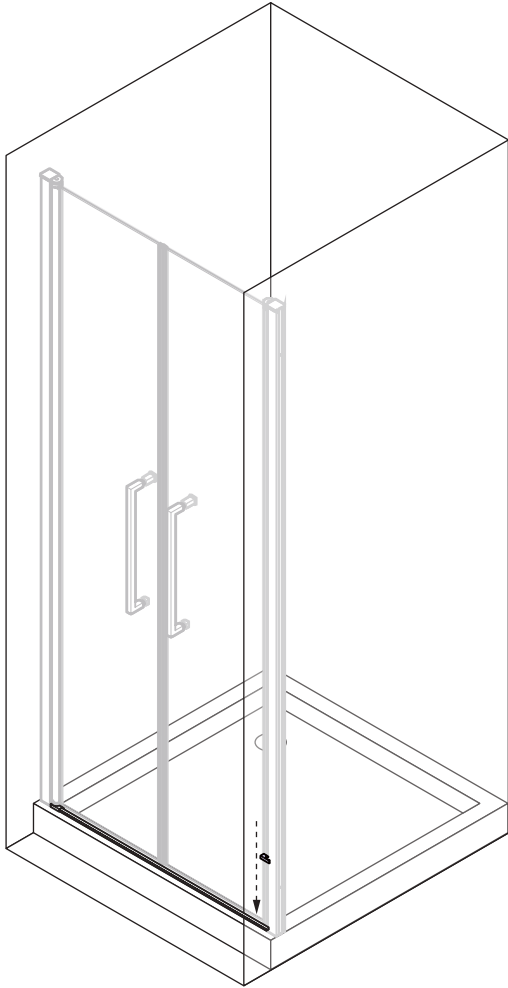


mod. 2B	mm
57-61	450
63-67	510
67-71	550
71-75	590
73-77	610
77-81	650
83-87	710
87-91	750
93-97	810
97-101	850
103-107	910
107-111	950
113-117	1010
117-121	1050
134-141	1250
147-151	1350
157-161	1450
167-171	1550
177-181	1650

18



19



20

