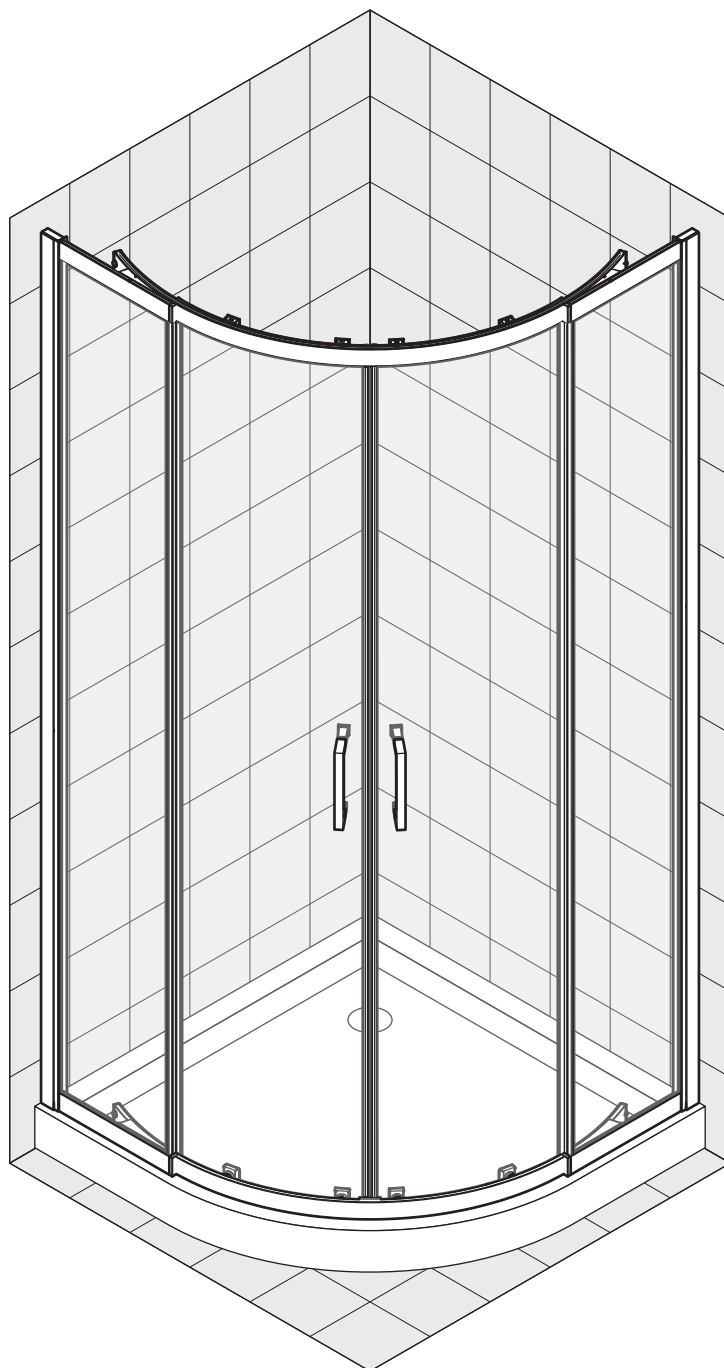
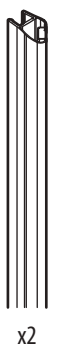
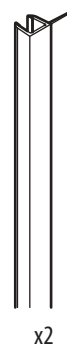
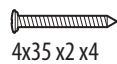
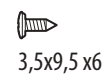
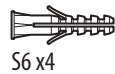
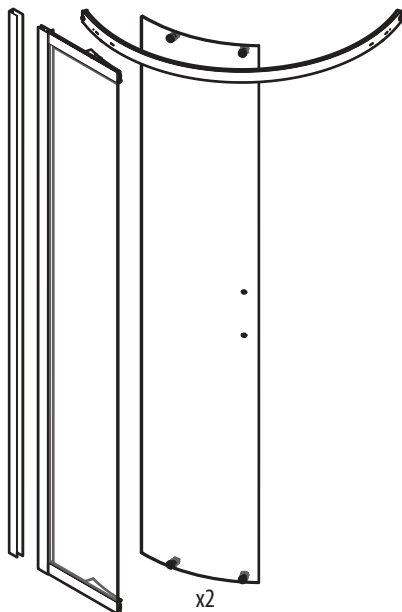
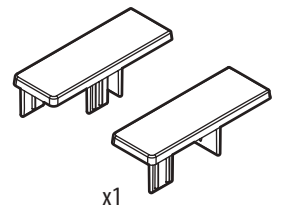
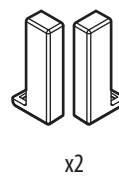
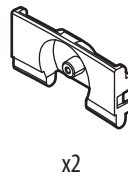
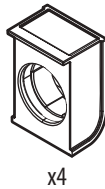
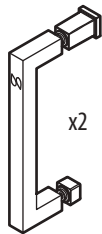
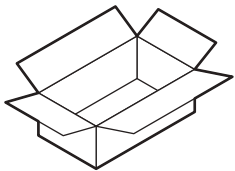
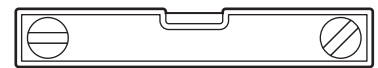
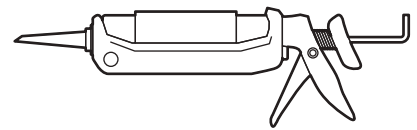
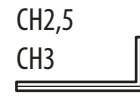
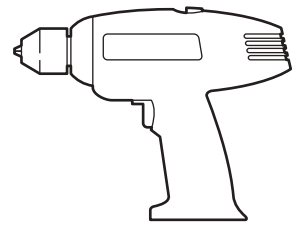
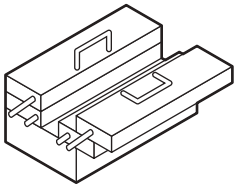


R

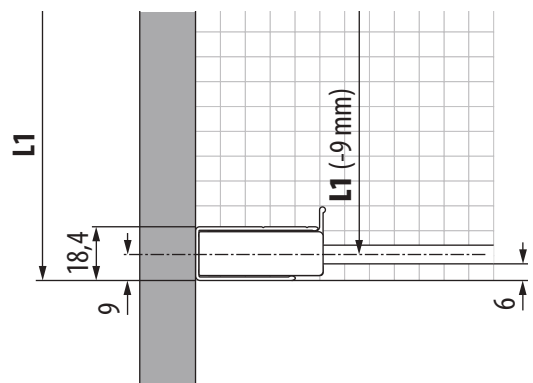
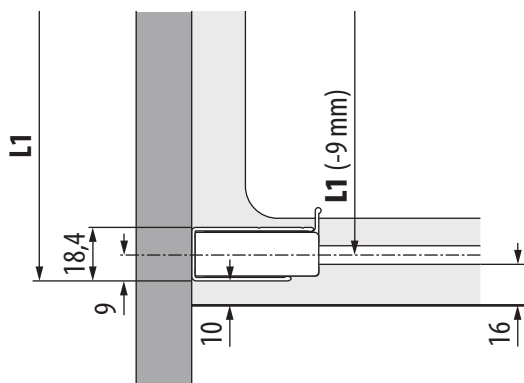
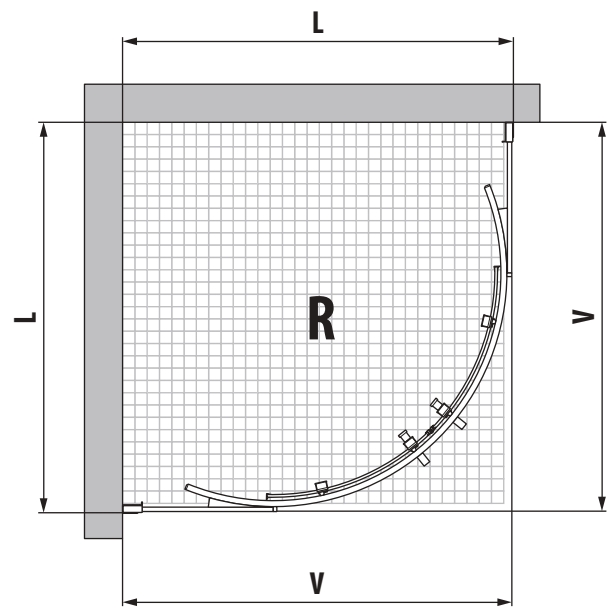
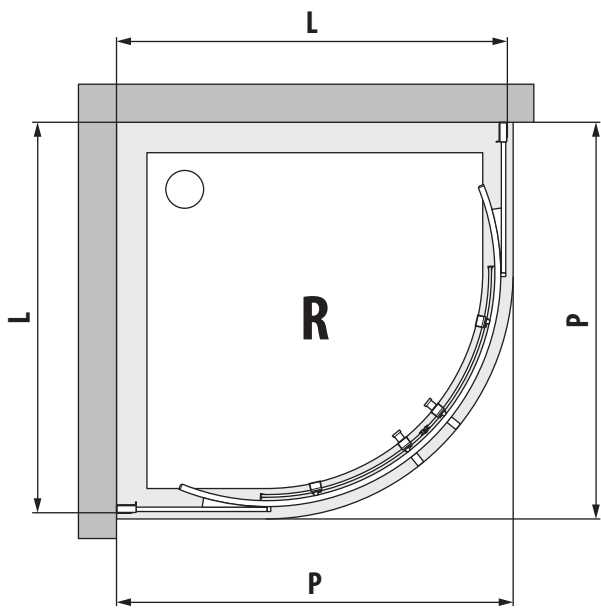


<hr/> <hr/> <hr/> <hr/>	<hr/> <hr/> <hr/> <hr/>
-------------------------	-------------------------

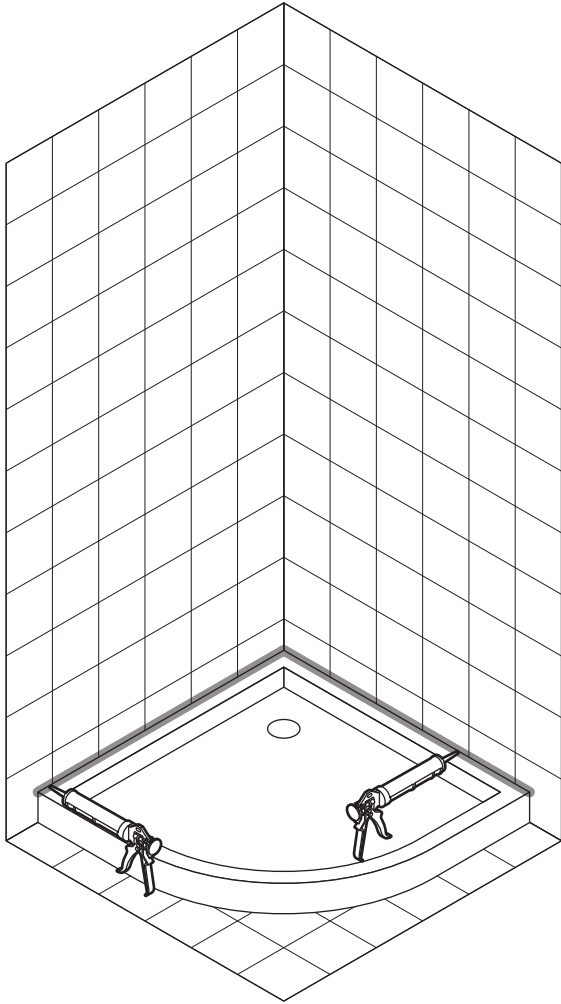


R	P	Lmm
80	795-815	785-805
90	885-915	875-905
100	985-1015	975-1005

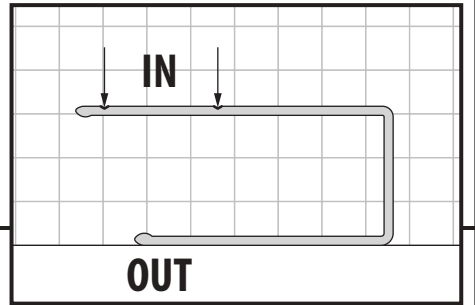
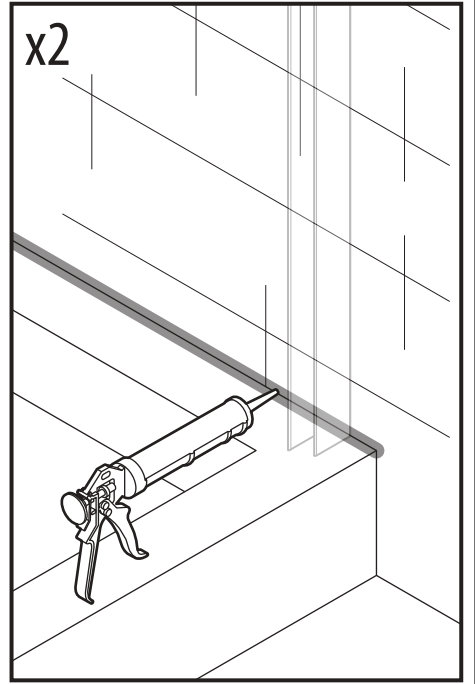
R	V	Lmm
80	779-799	785-805
90	869-899	875-905
100	969-999	975-1005



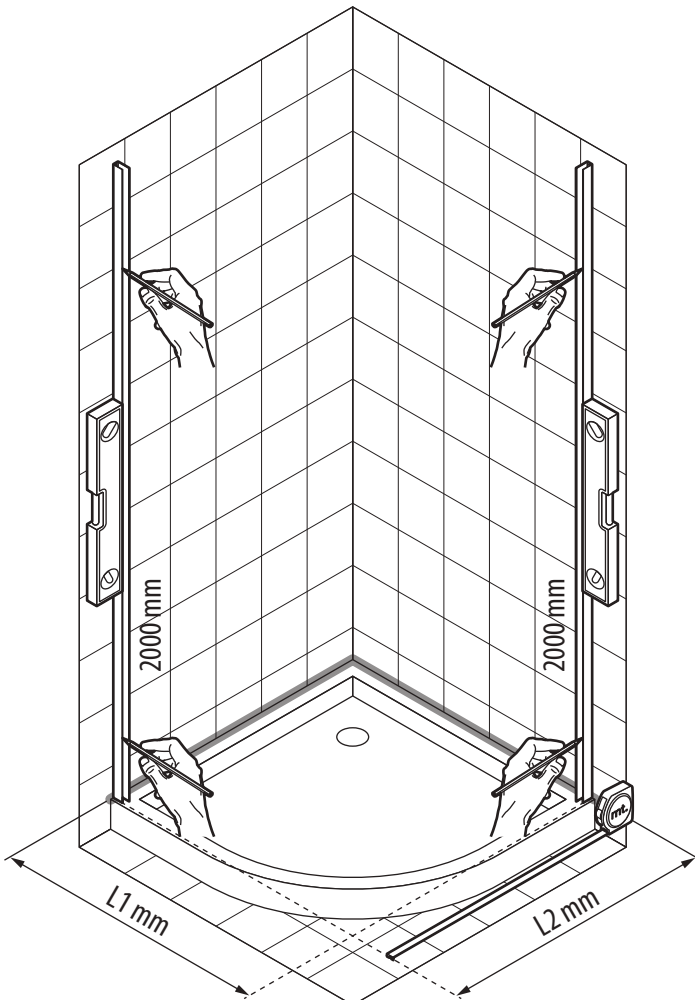
# 1



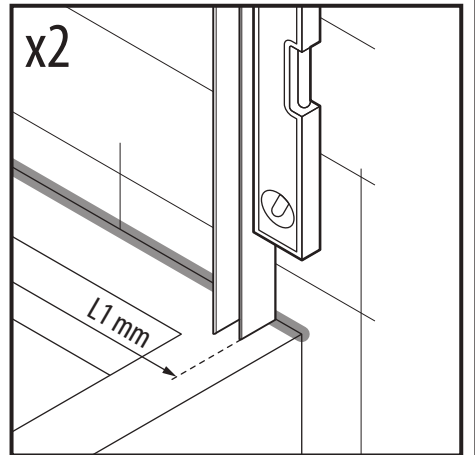
x2



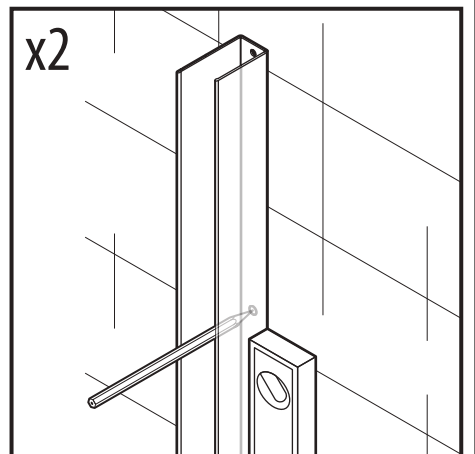
# 2



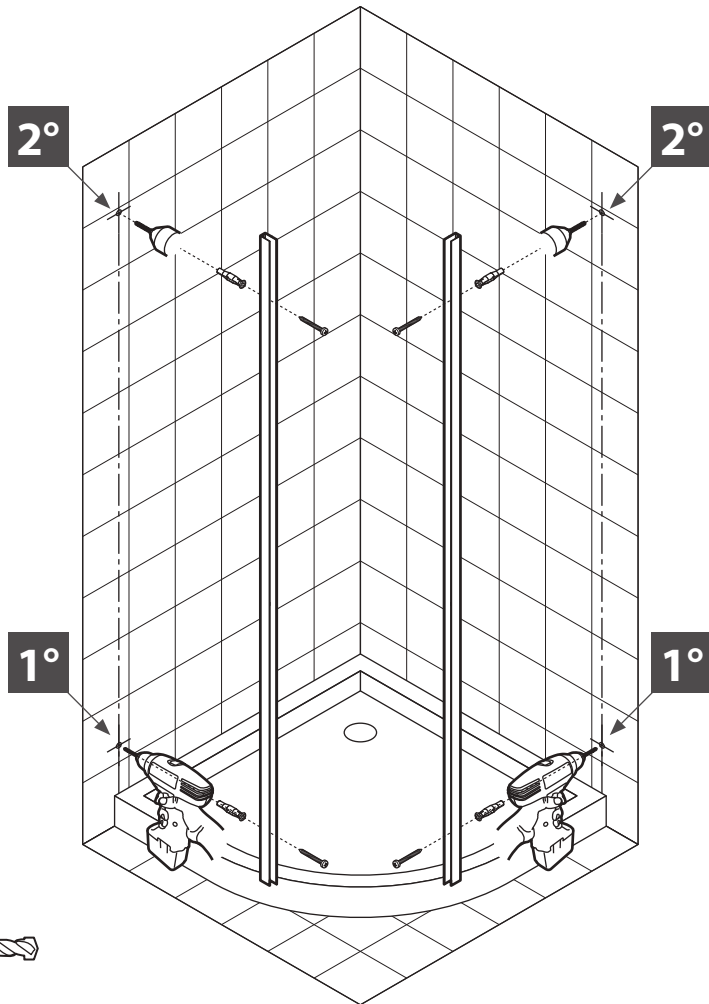
x2



x2



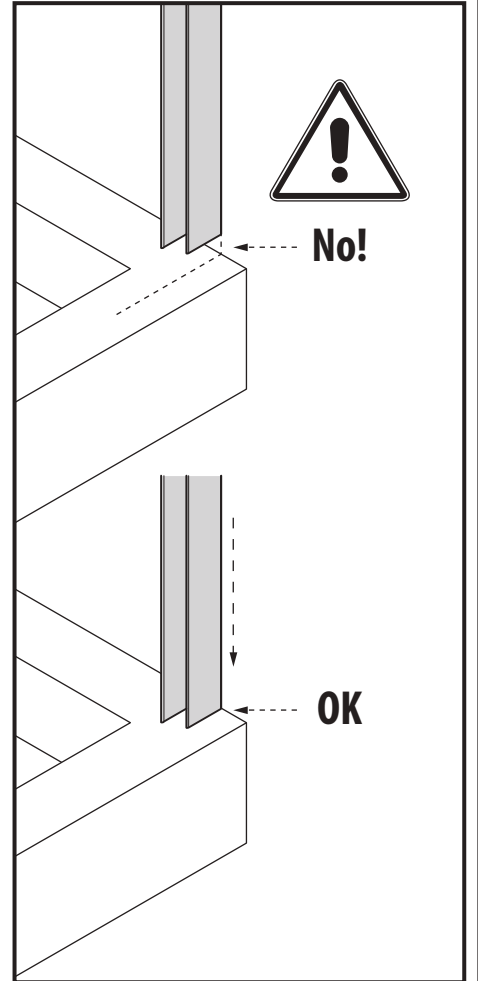
# 3



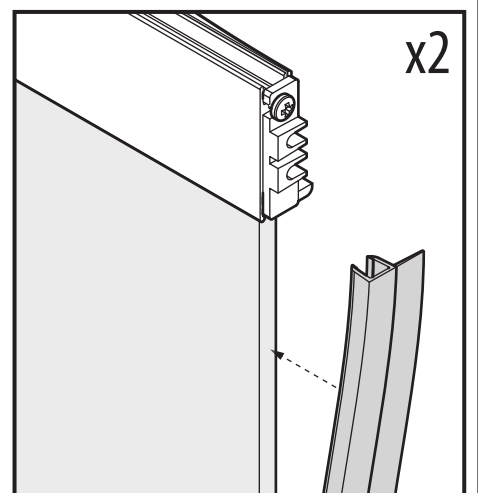
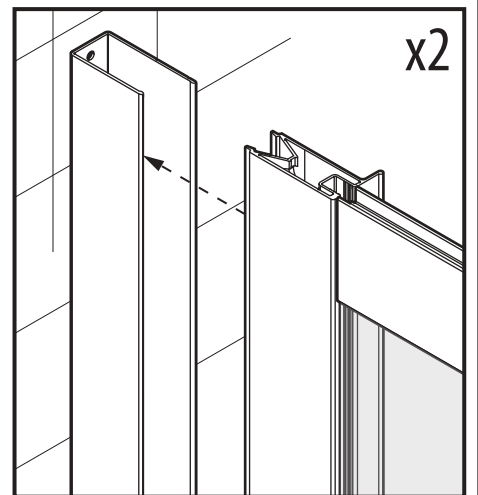
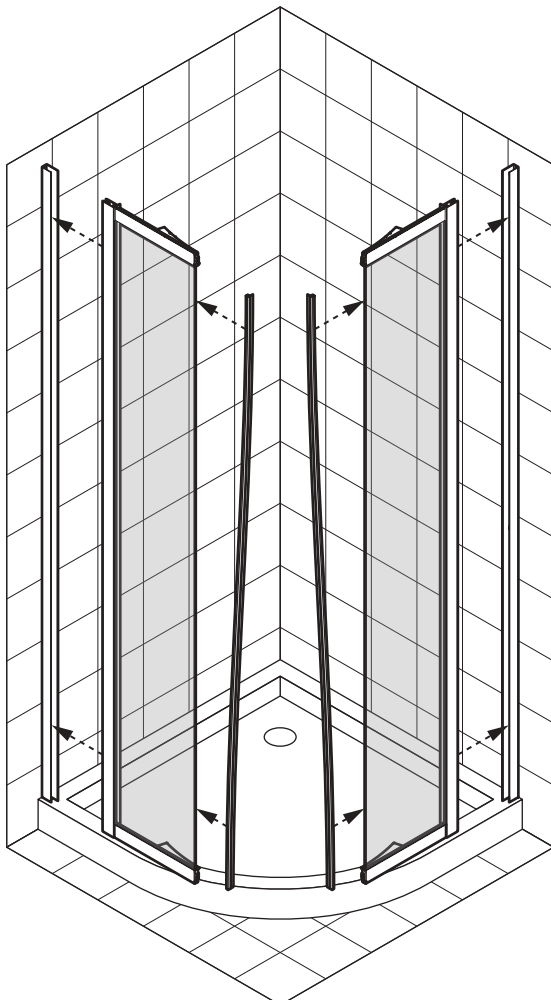
56 x 4

4 x 35 x 4

ø6 mm

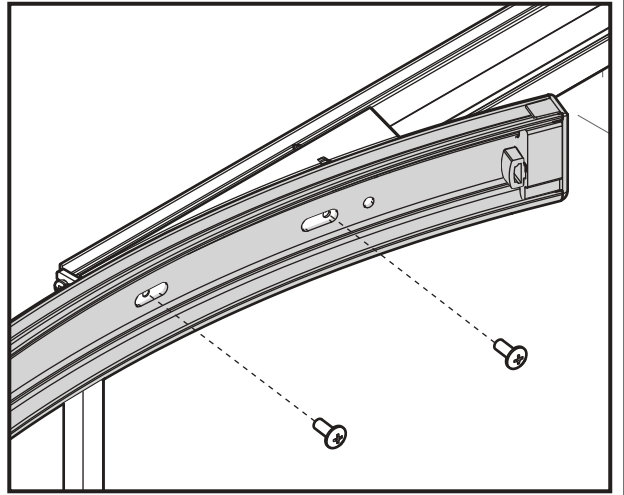
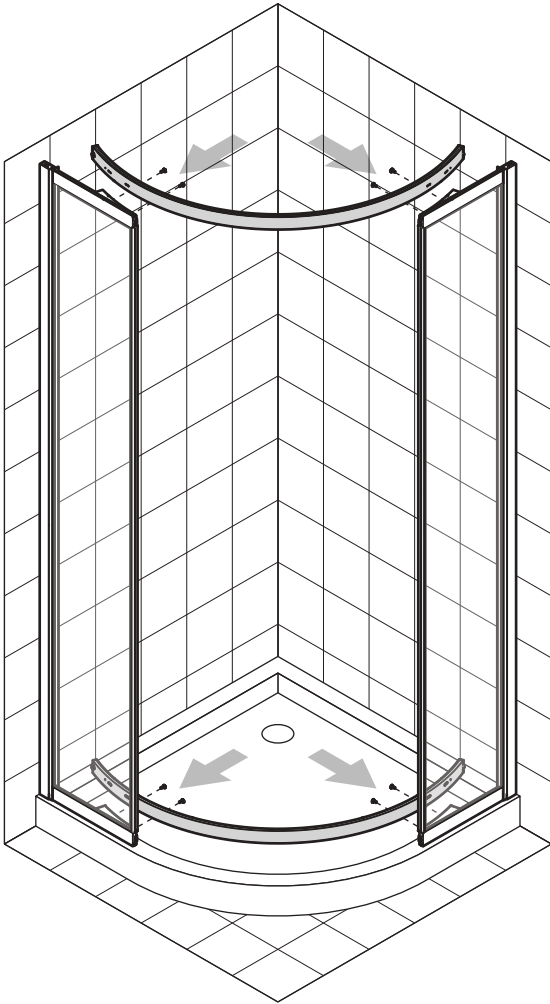


# 4

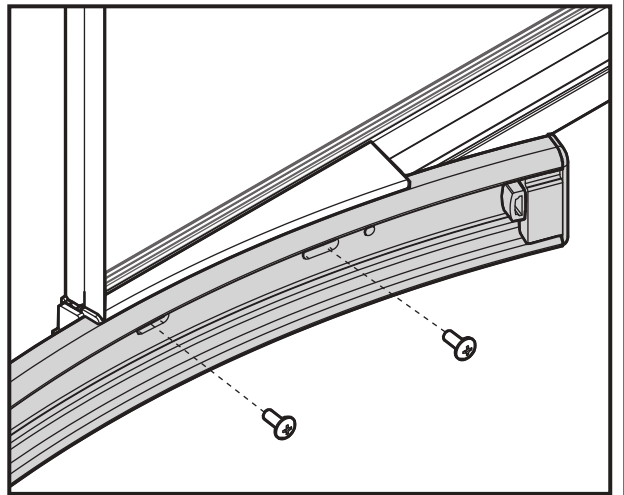


5

# 5

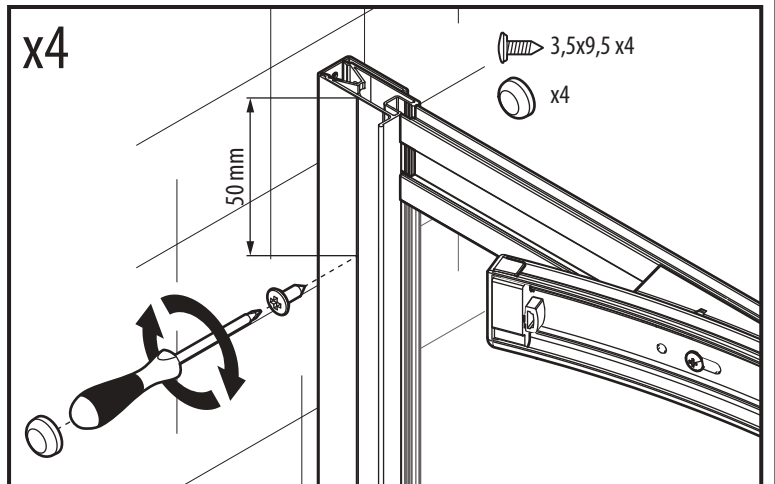
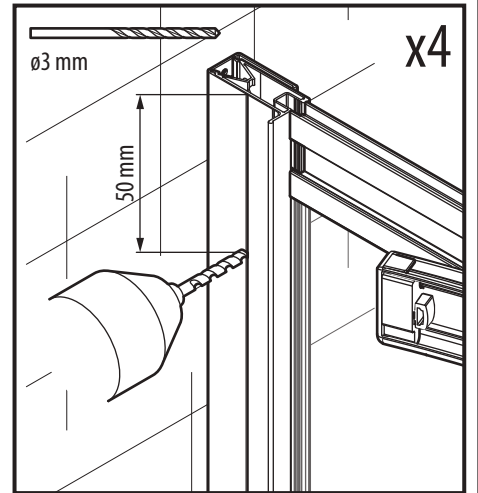
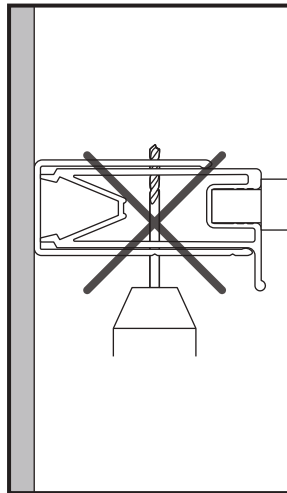
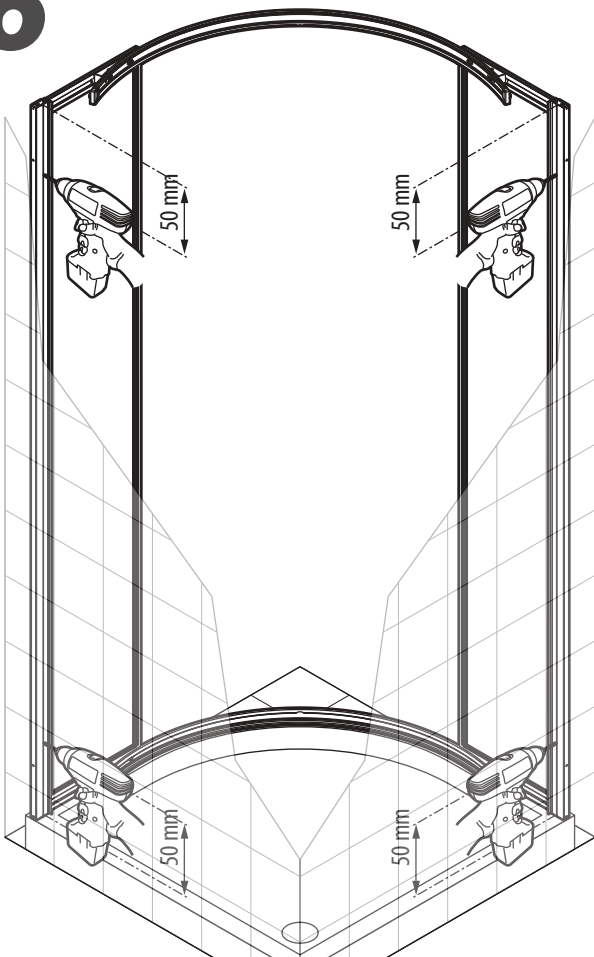


M4x10 x4



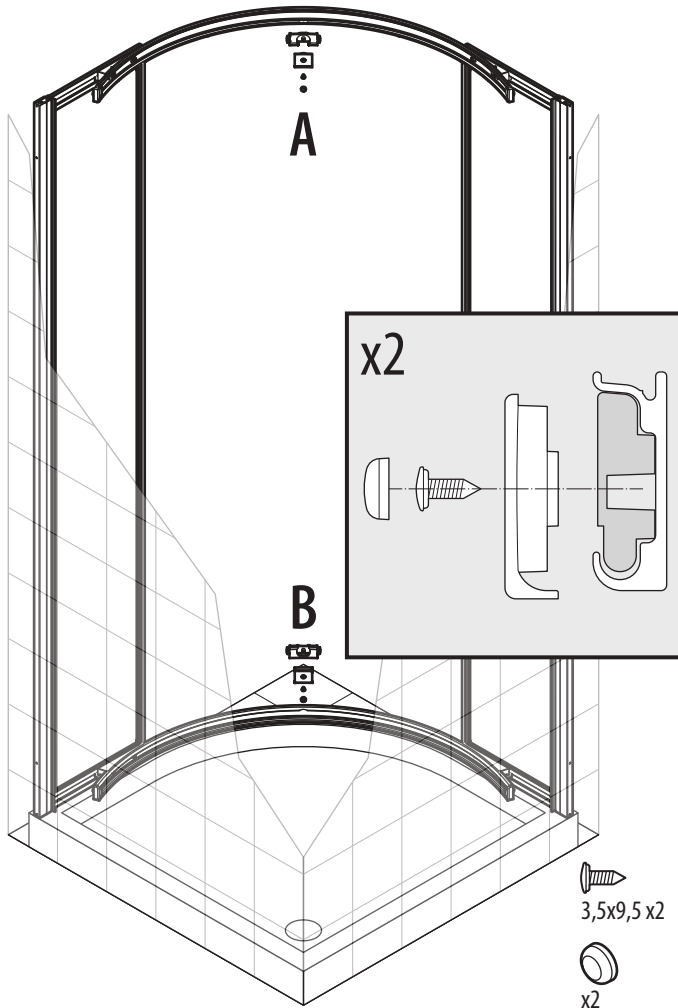
M4x10 x4

# 6

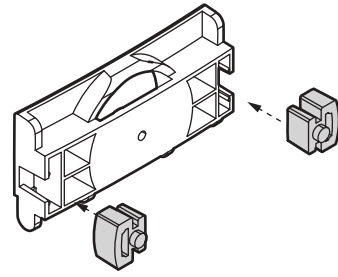


6

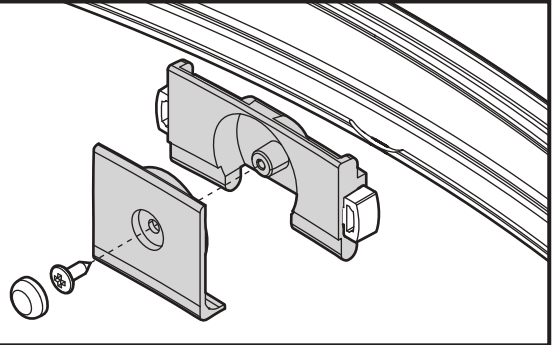
# 7



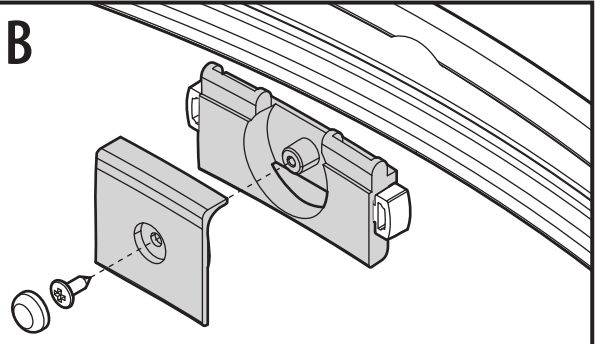
x2



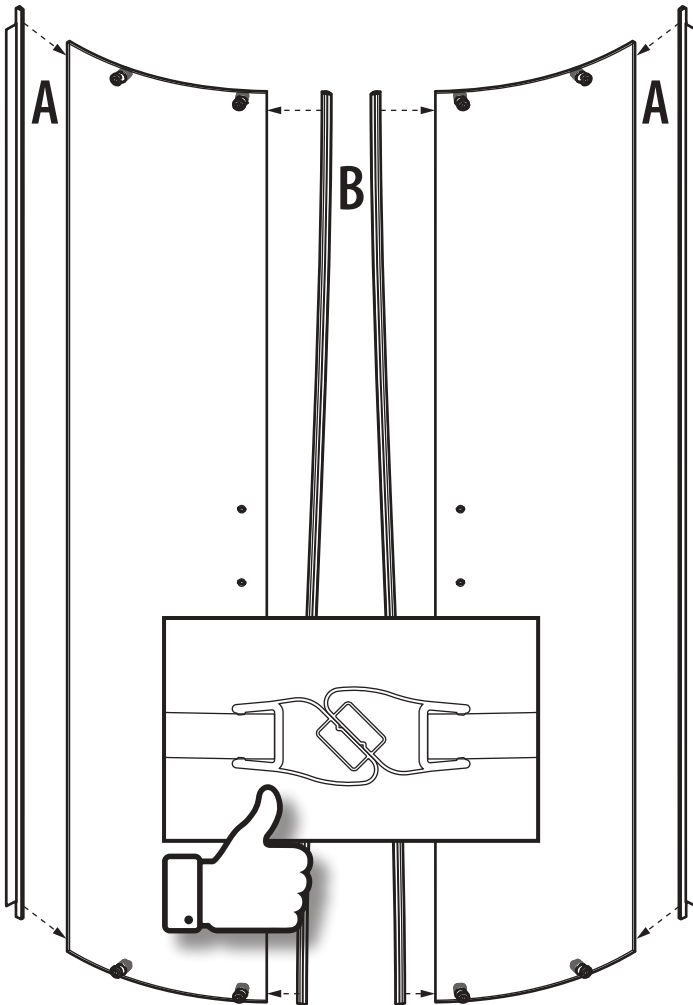
A



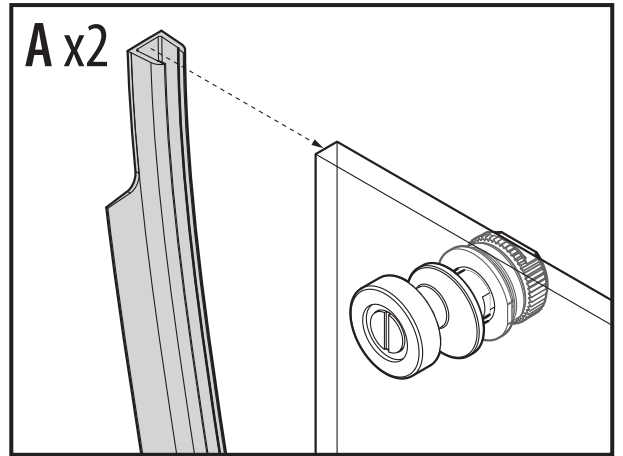
B



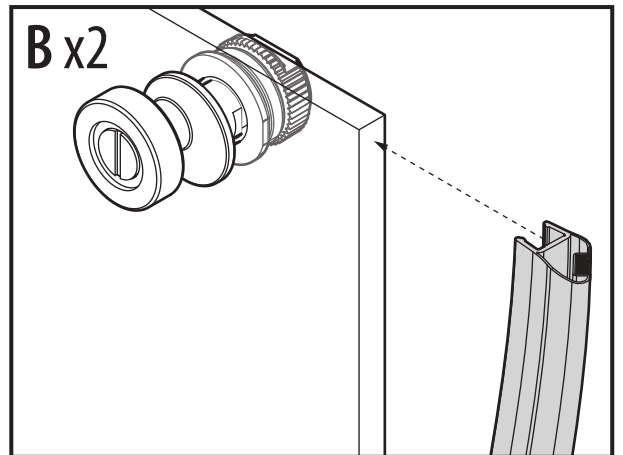
# 8



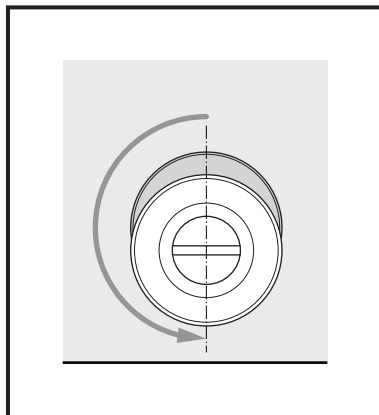
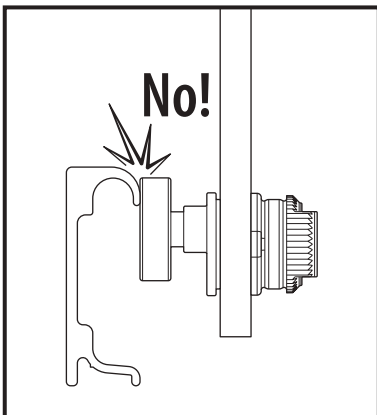
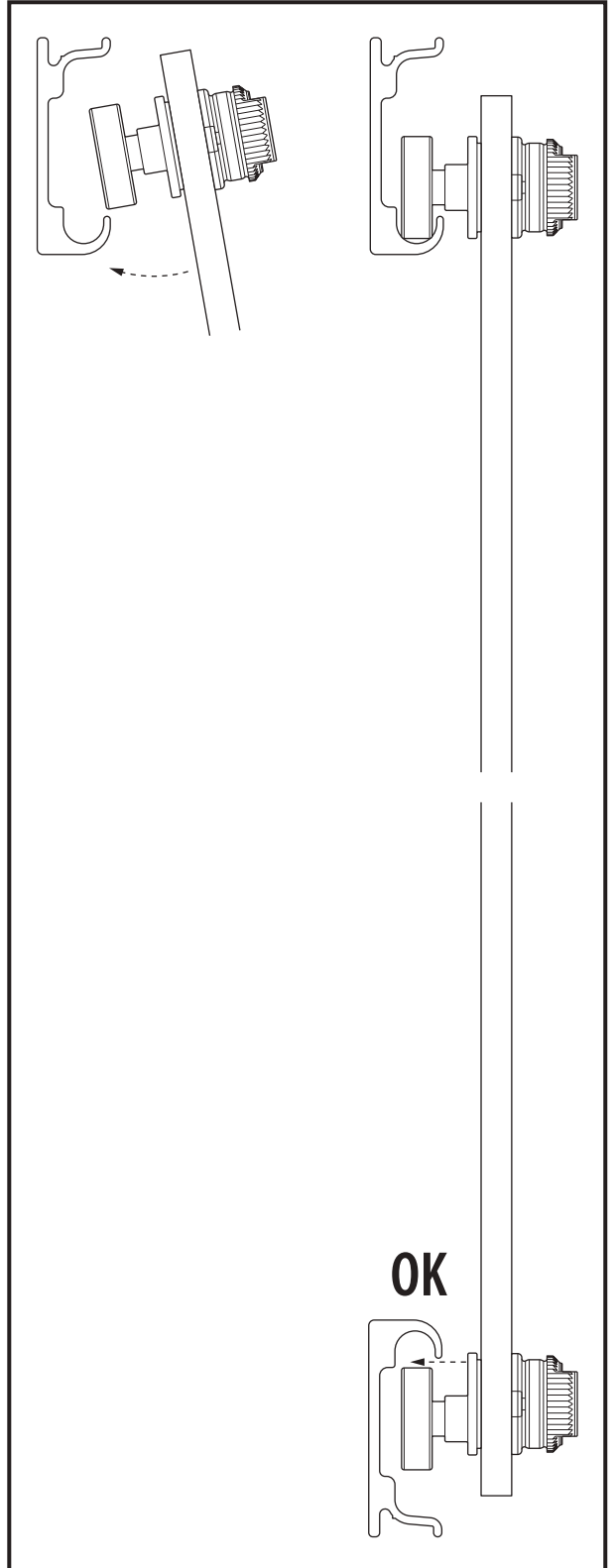
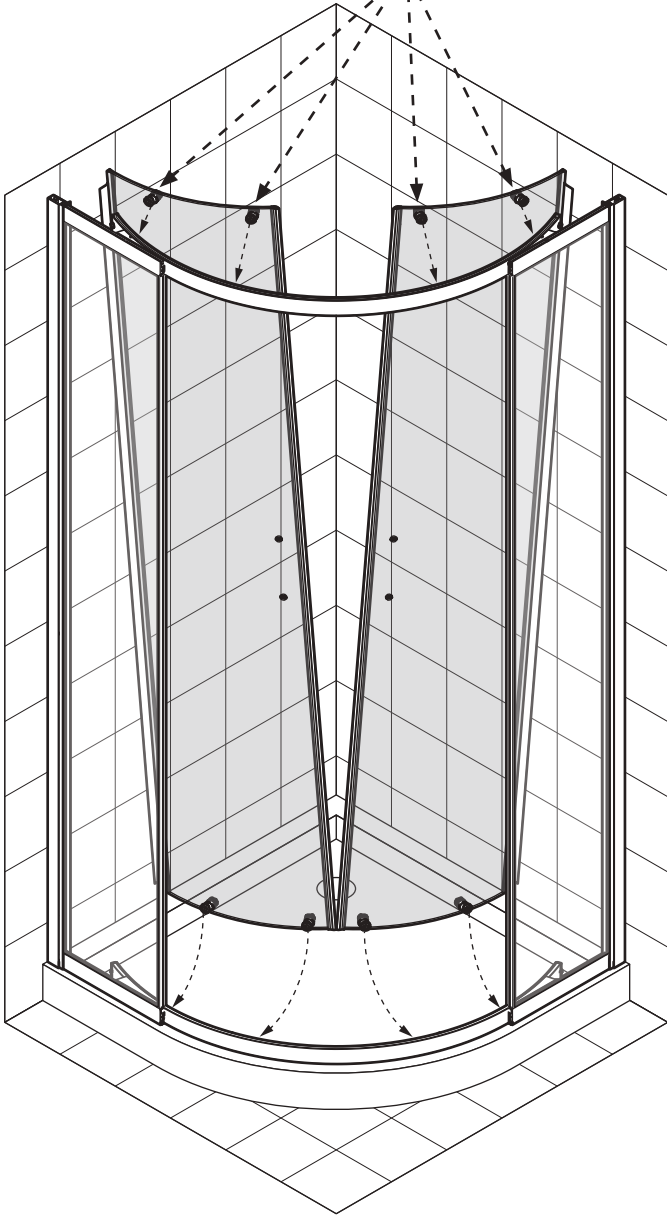
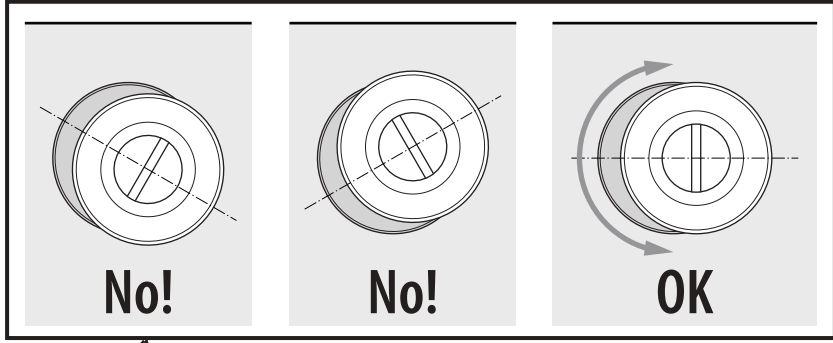
A x2



B x2



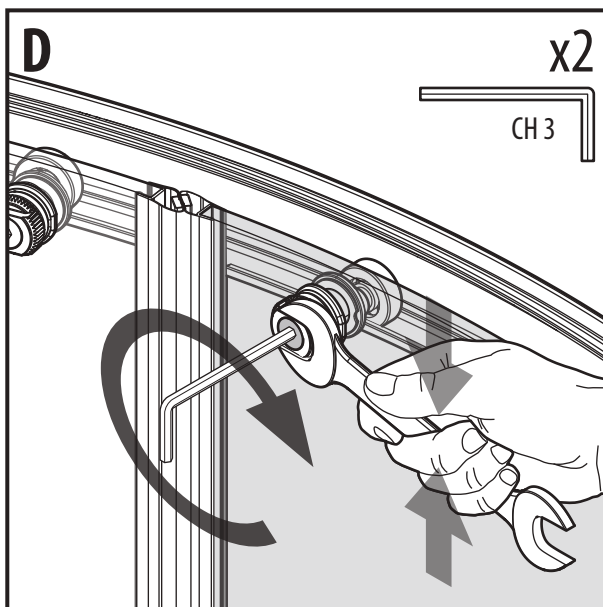
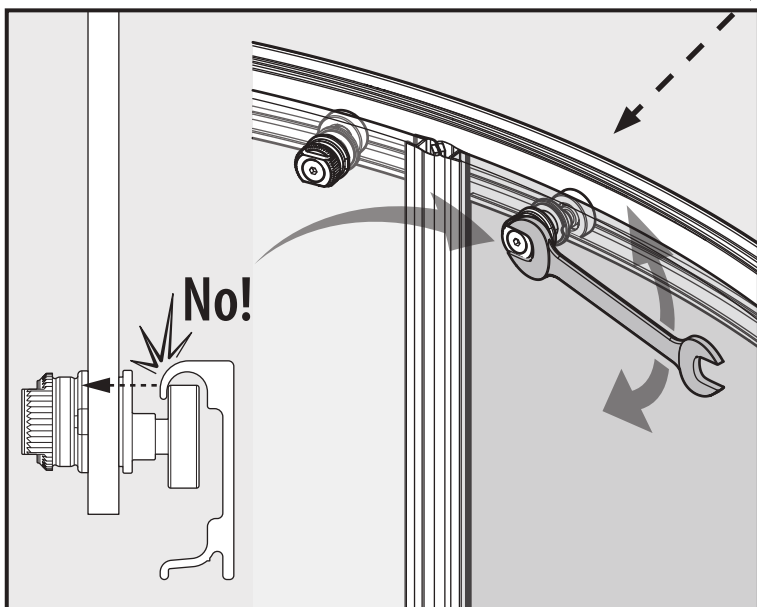
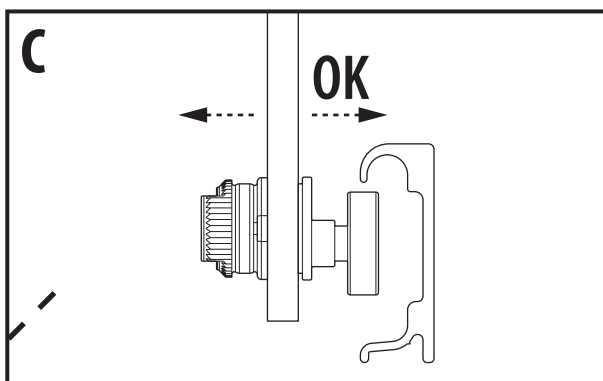
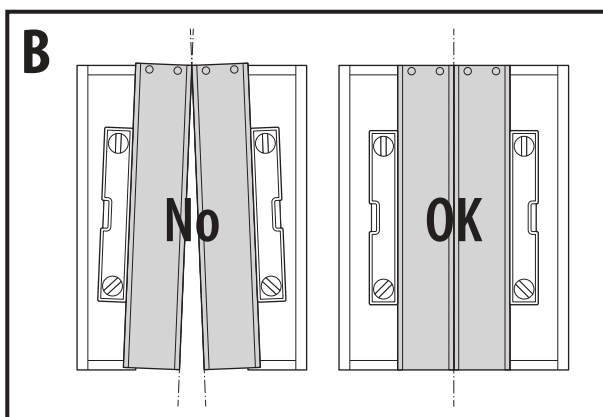
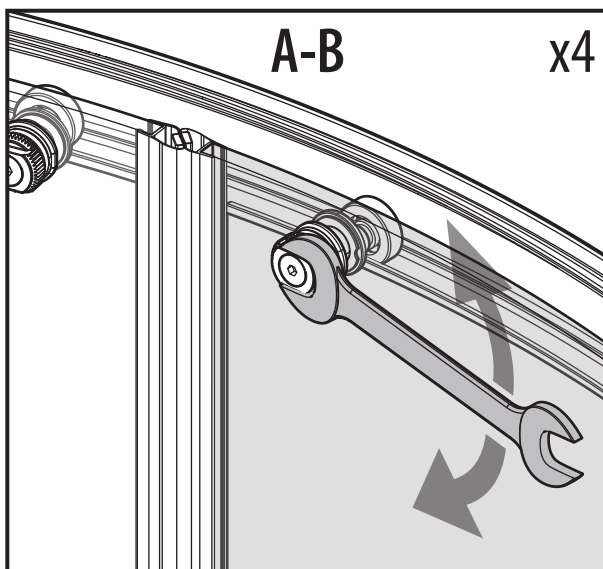
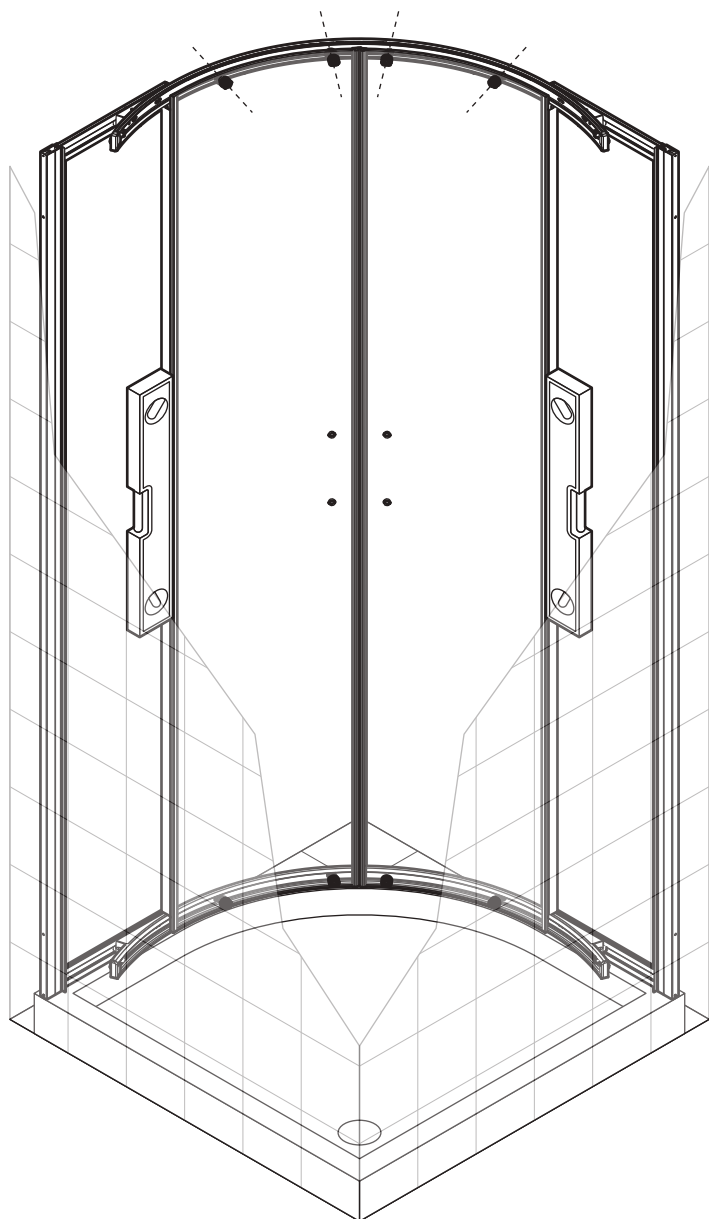
9



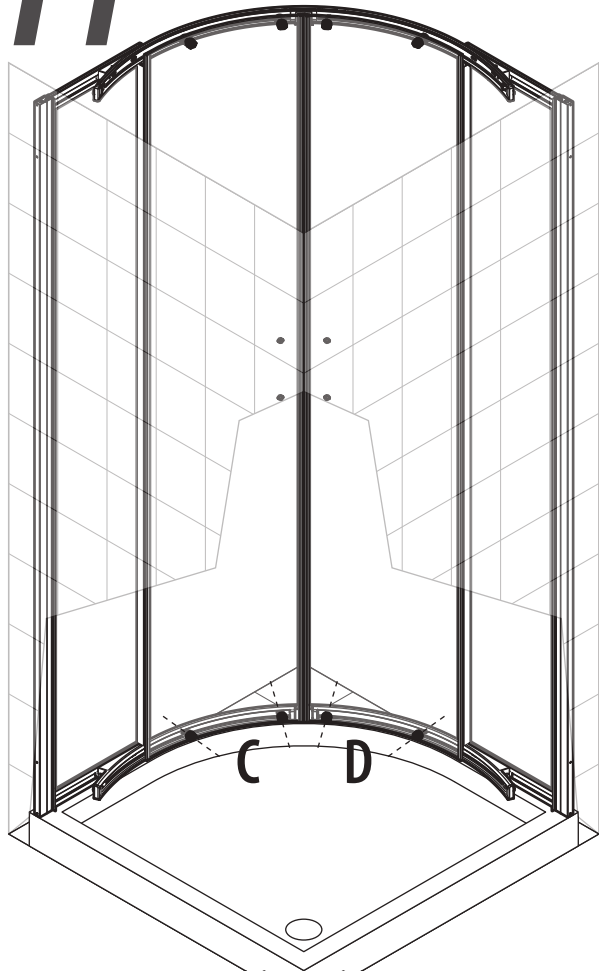
8



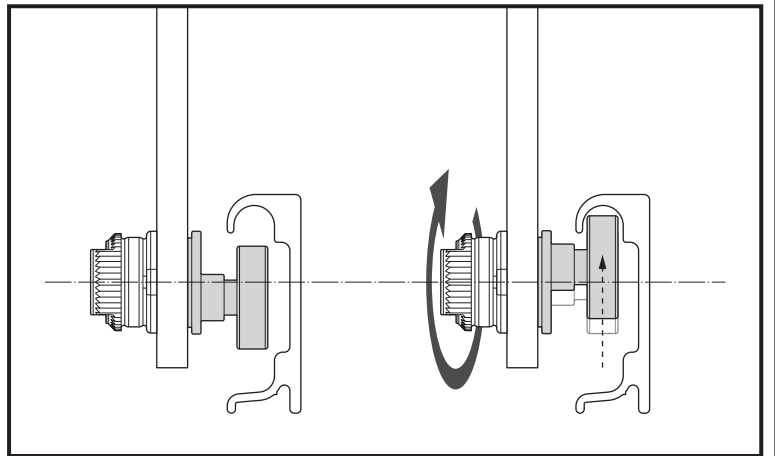
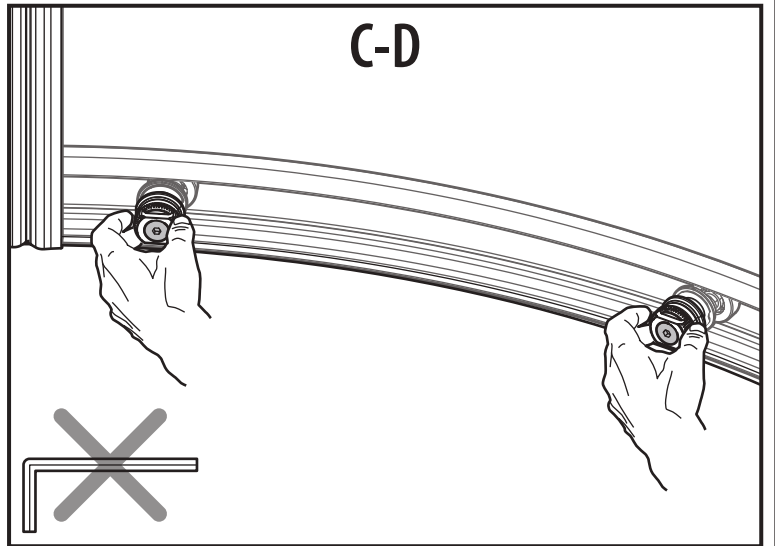
# 10



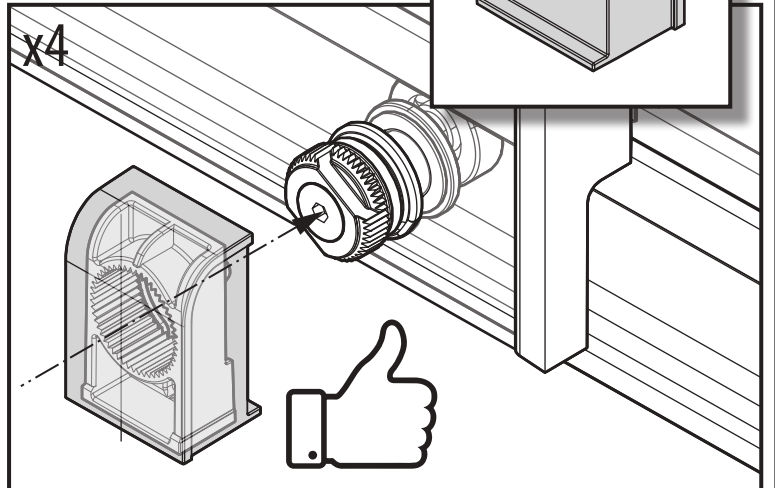
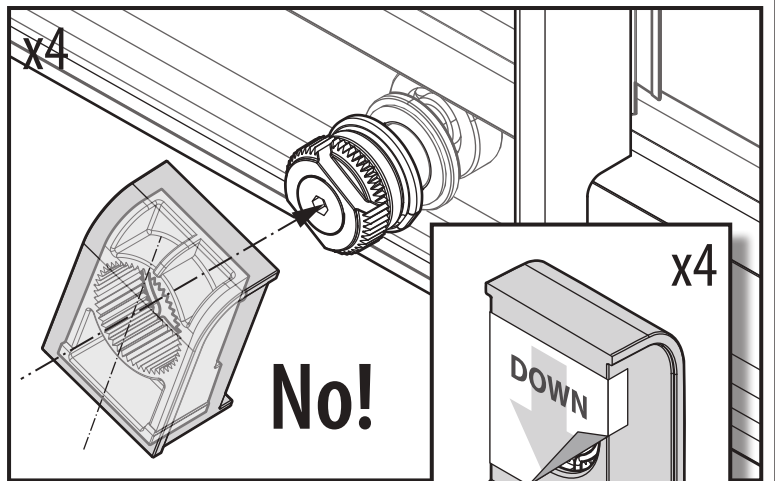
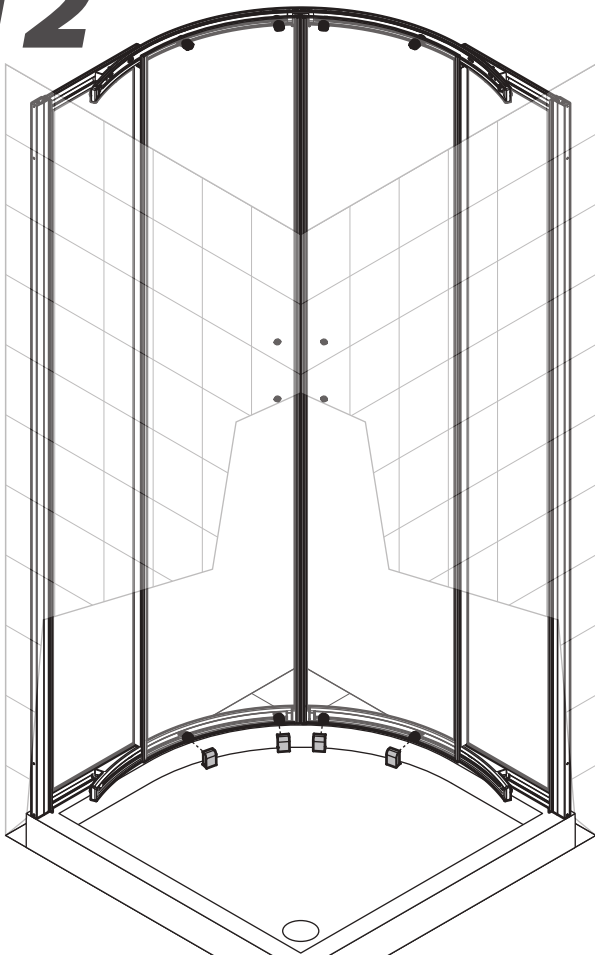
# 11



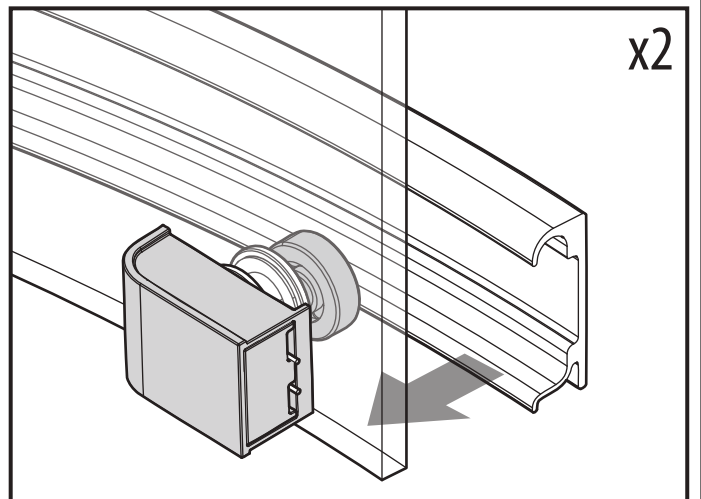
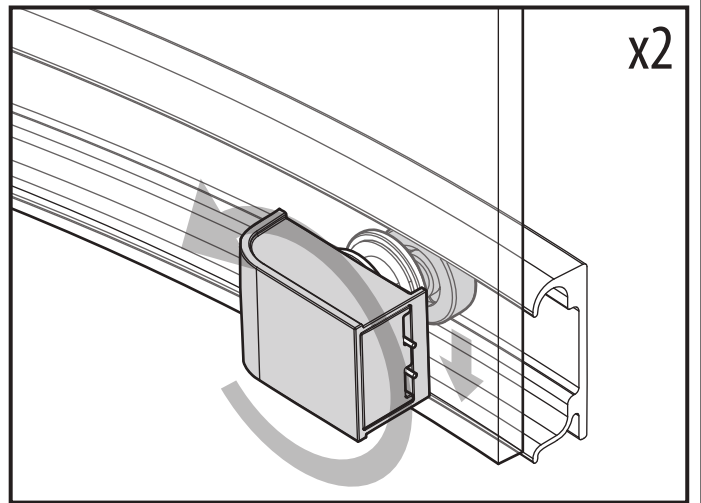
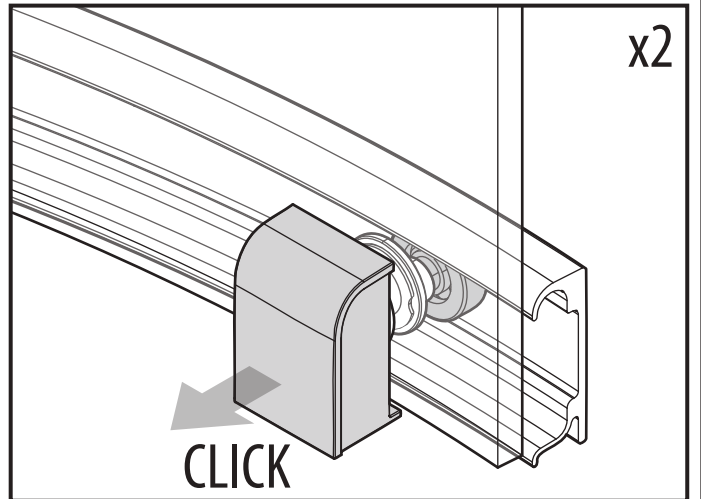
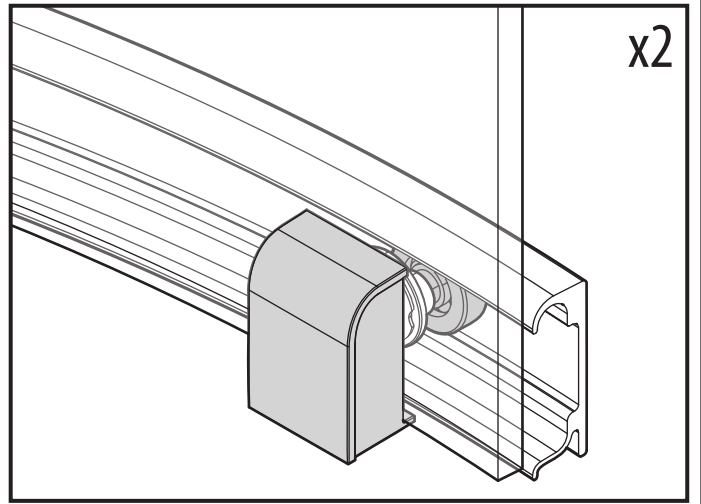
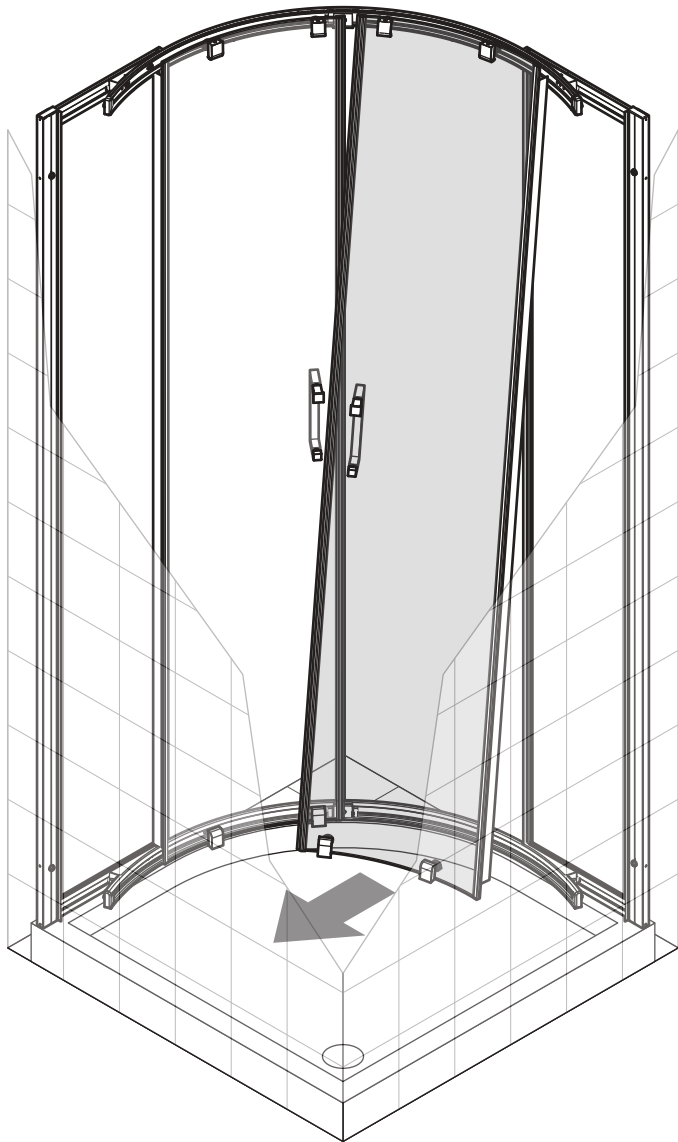
## C-D



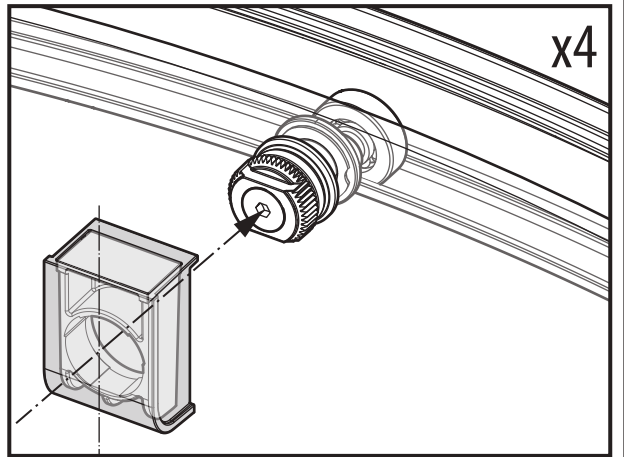
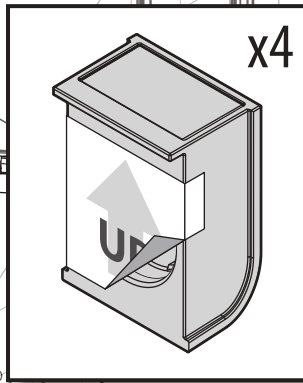
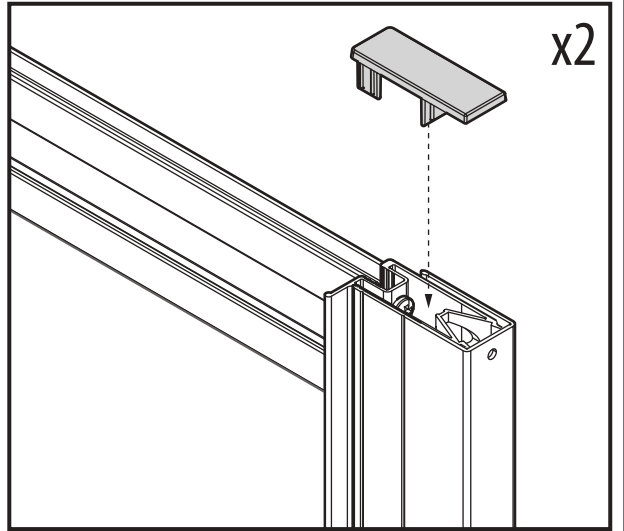
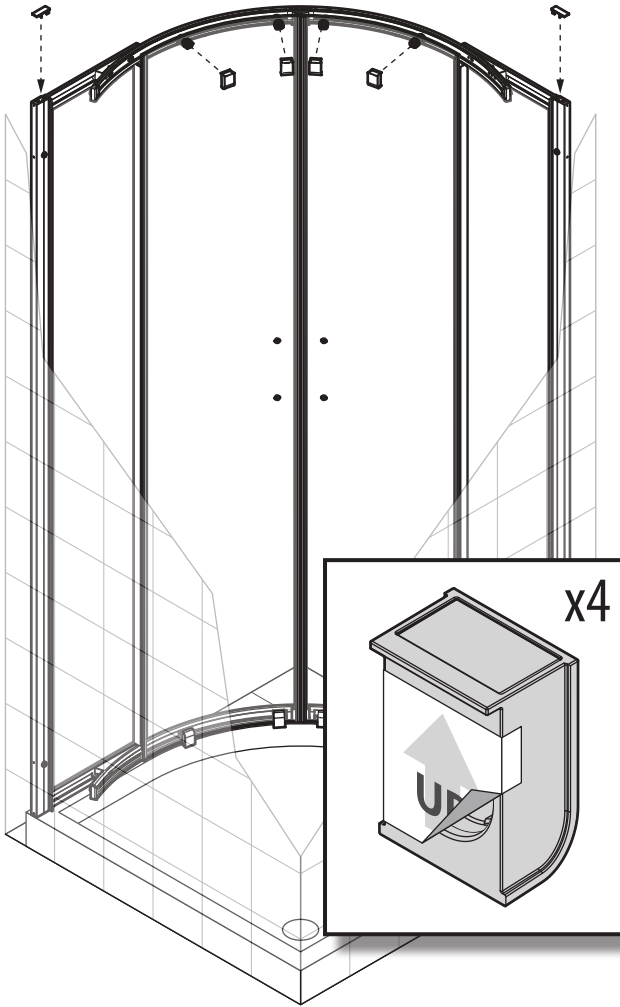
# 12



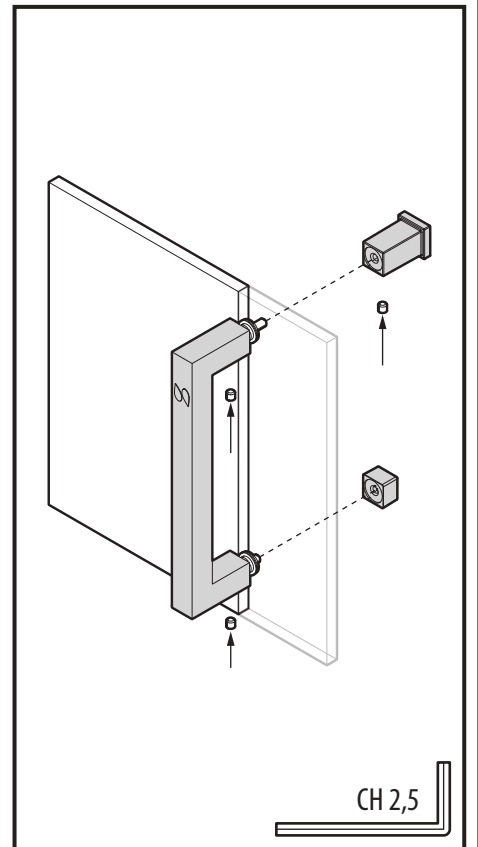
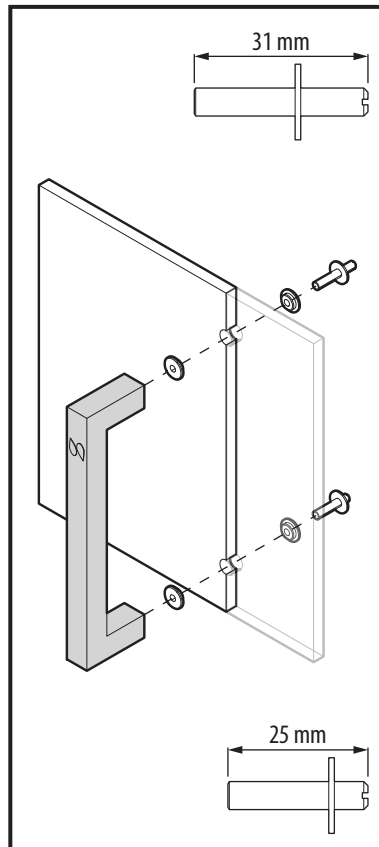
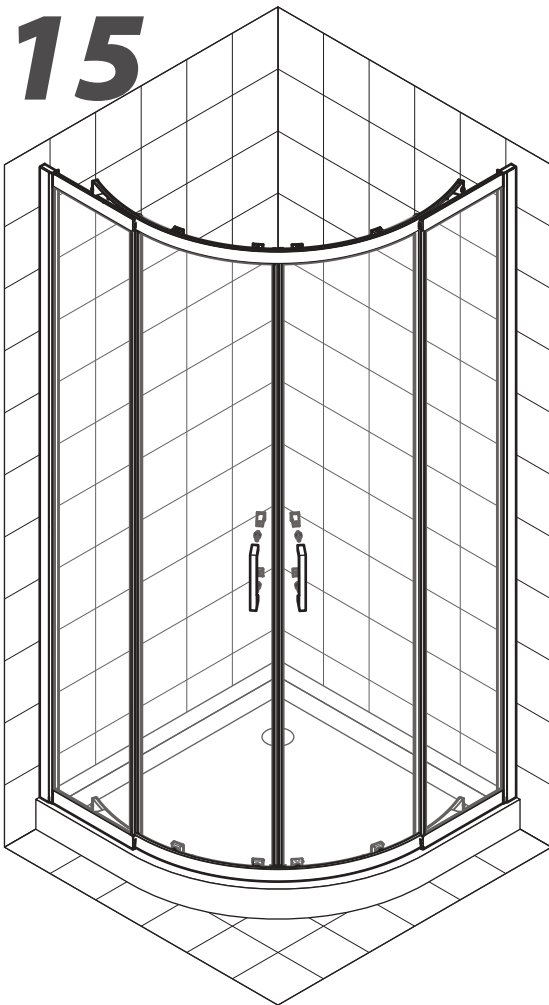
# 13



# 14

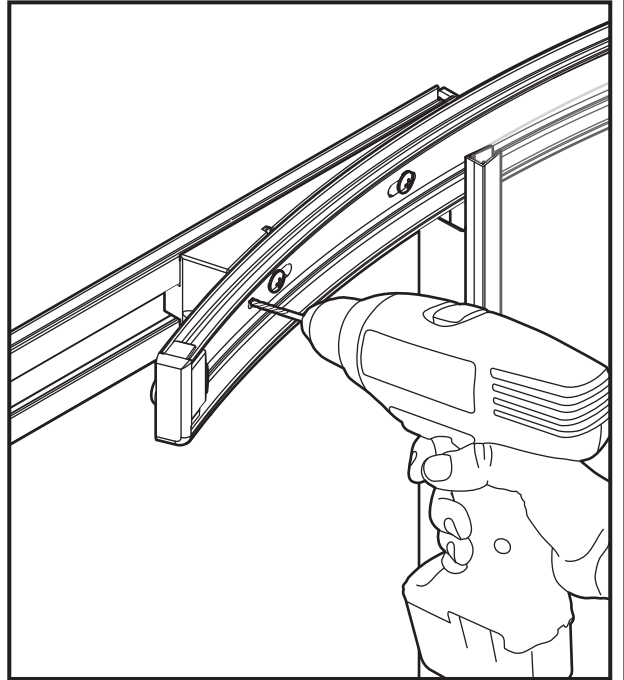
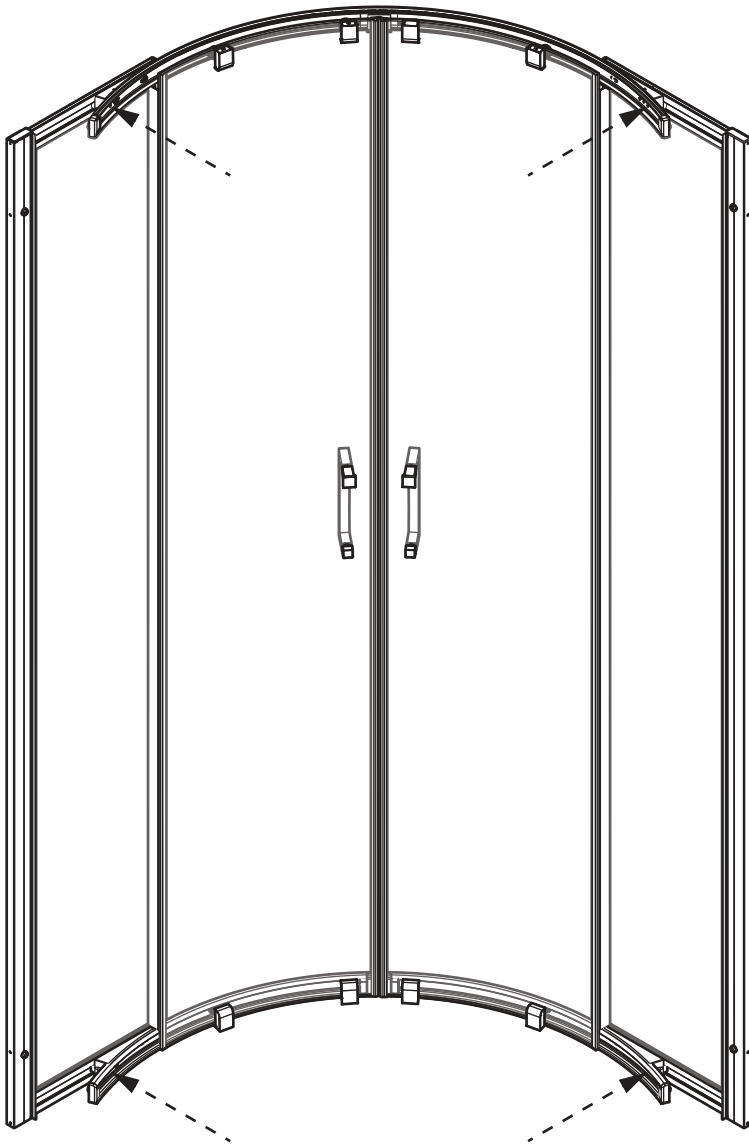


# 15



# 16

# Mod. R80



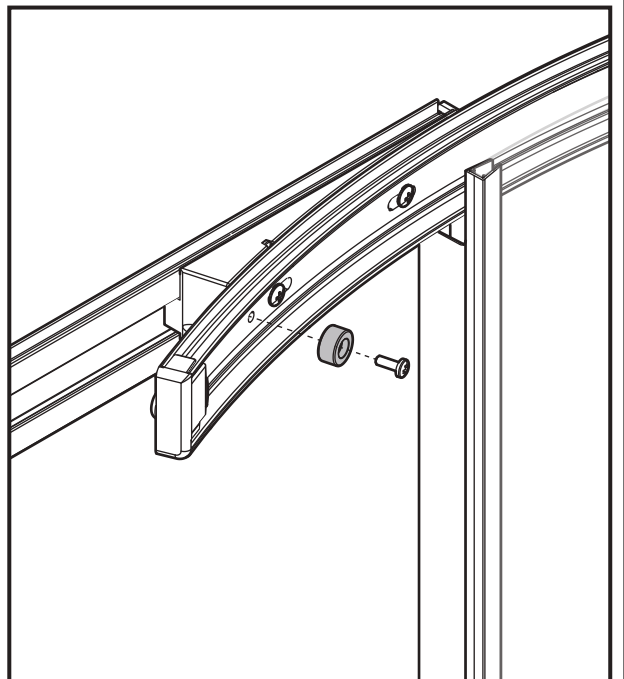
S6 x4



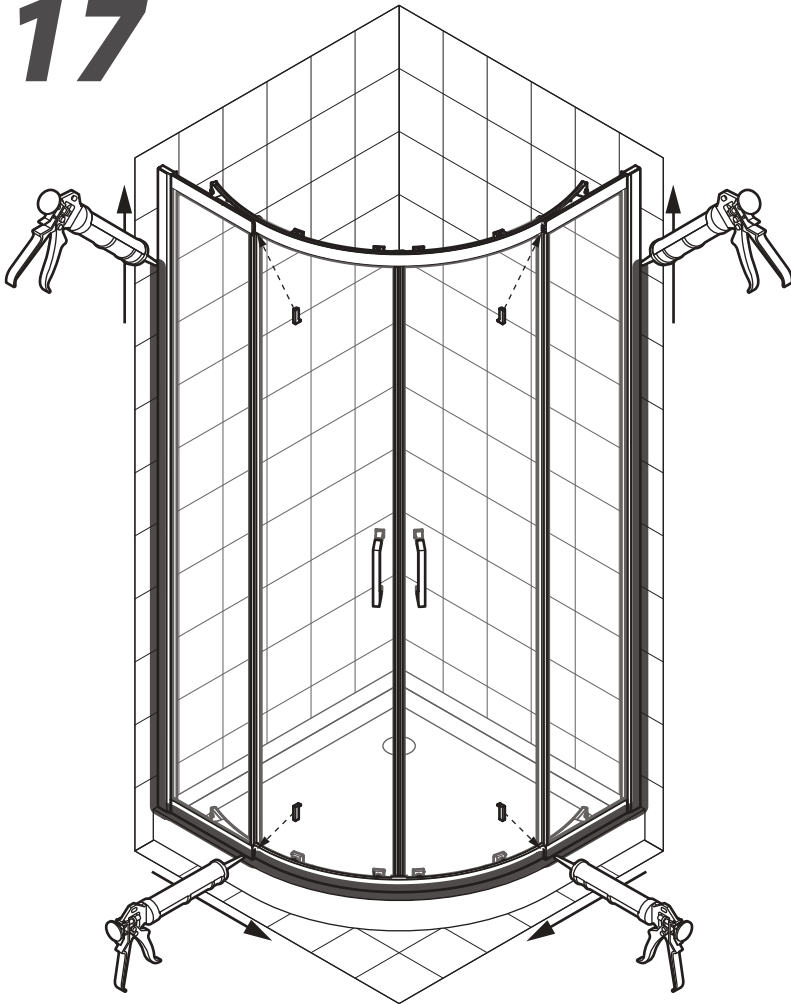
3,5x10 x4



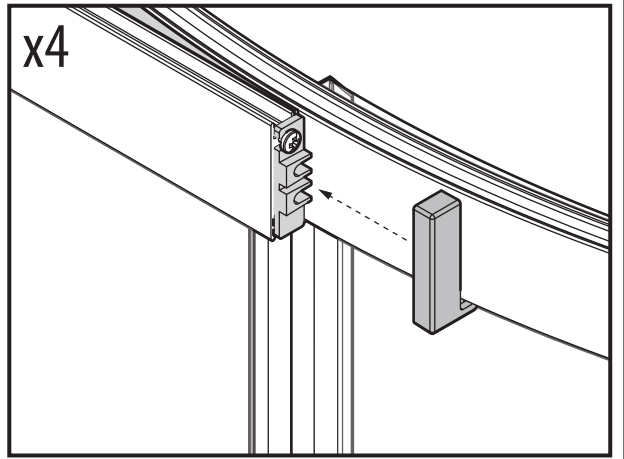
ø3 mm



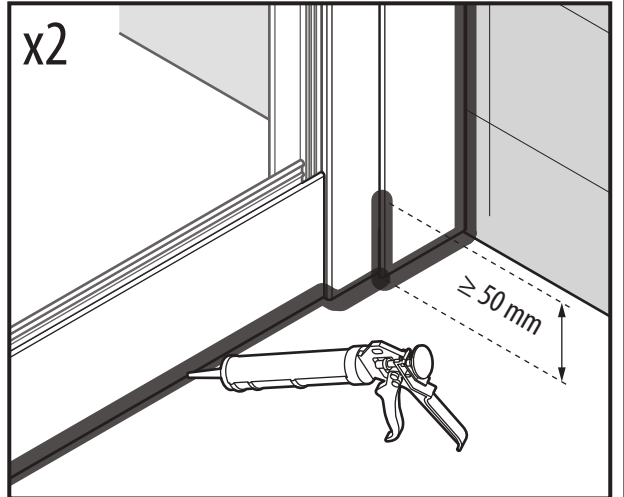
# 17



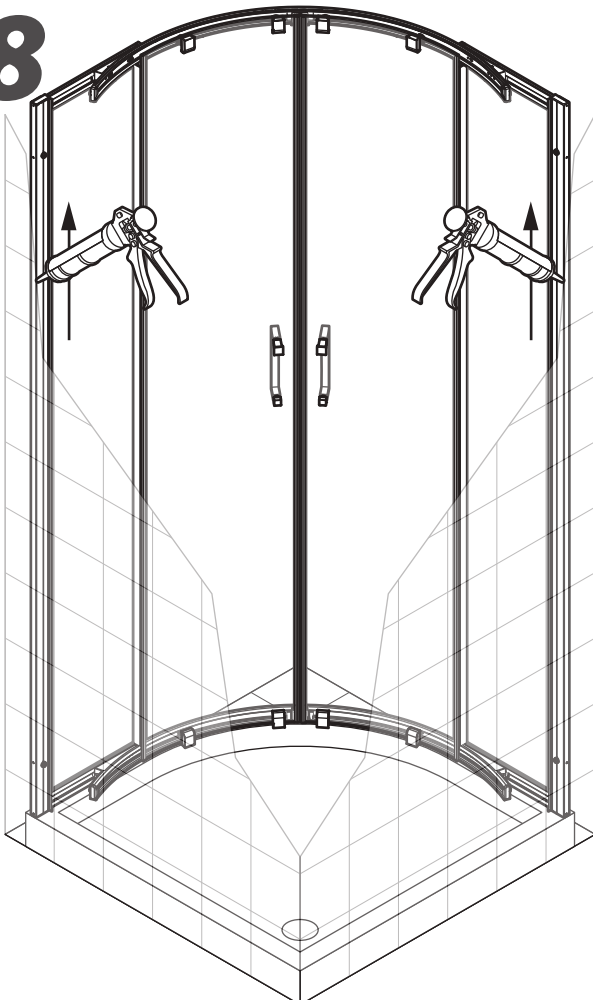
x4



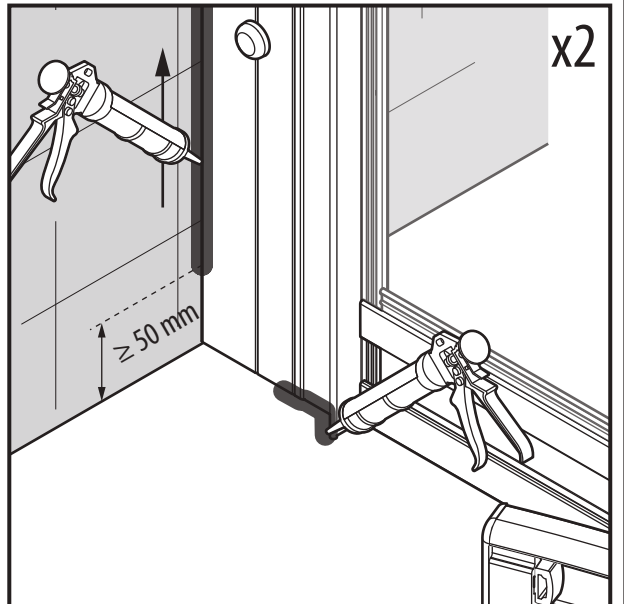
x2



# 18



x2



# 19

