

PRODUCT DATA SHEET

Lili 2 Draw 600 Vanity Unit 1100mm, Gloss White

Product Code: 600CAB-LILI-2DRW-WTE



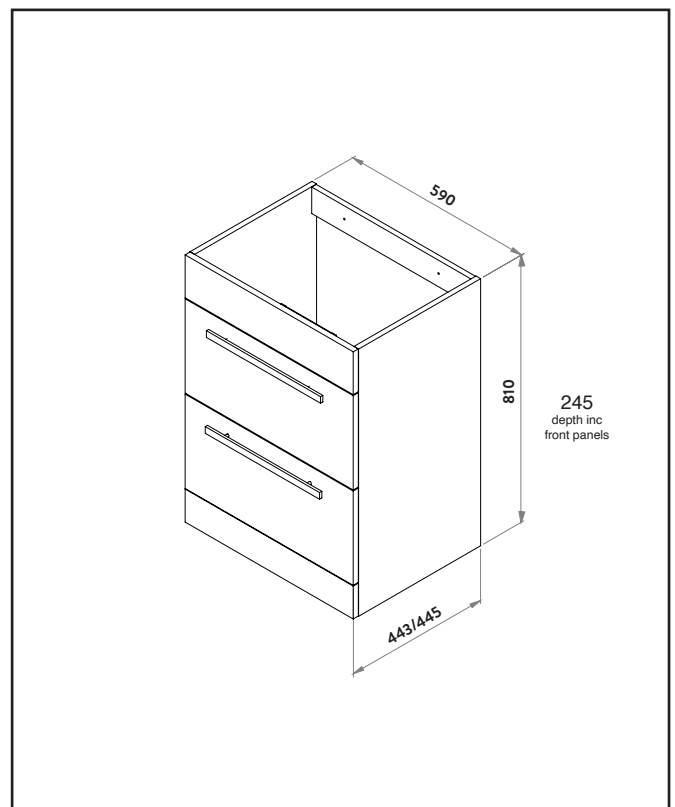
SCUDO
BEAUTIFUL BATHROOMS

0330 124 7290

sales@scudo.co.uk - www.scudo.co.uk

Scudo is the trading name of Harrison Bathrooms Ltd. Whilst we endeavour to ensure that the product information is accurate we accept no liability for any information given. All images are for illustration purposes only. Product images and specification are subject to change. Measurement are in millimetres and are nominal.

Product Measurements	
Product Weight:	29.32kg
Product Width:	590mm
Product Height:	810mm
Product Depth:	445mm
Product Length:	N/A
Product Transportation	
Barcode:	5060500645403
Country of Origin:	POL
Comodity Code:	9403890040
Primary Packed Measurements	
Packaged Weight:	32.5kg
Packaged Length:	475mm
Packaged Width:	620mm
Packaged Height:	835mm
Packaging Weight	
Card:	1.7kg
Paper:	N/A
Wood:	N/A
Plastic:	0.159kg
General Information	
Construction Material:	Vinyl Wrapped MDF
Installation Type:	Floor Mounted
Colour / Finish:	Gloss White
Furniture Attributes	
Supplied Fully Assembled:	Yes
Number of Drawer:	2
Number of Doors:	0
Soft Close Doors/Drawer:	Yes
Moisture Resistant:	Yes
Internal Shelves:	No
Door Opening Width:	224
Draw Opening Distance:	N/A
Advised Concealed Cistern:	N/A
False Draws:	N/A
Number of False Draws:	N/A
Reversible Doors:	N/A
Hinge Location:	N/A
Compatible Furniture Code:	LILI-500WCUNIT-GREY
Compatible Basin Code:	THIN600BASIN
Handles	
Handle Styles:	Horizontal Bar
Handle Finish:	Chrome or Black
Handle Material:	Steel
Number of Handles:	2
Compliance DOP	



LIFETIME GUARANTEE

We are confident in our products and we want our customer to be, we proudly give a lifetime guarantee on our taps and showers, further details can be found on our website

Dimensions (measurements in mm)