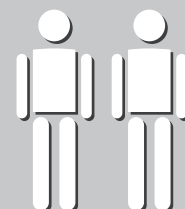
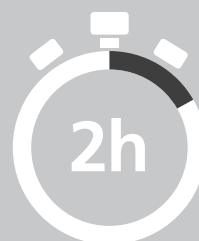
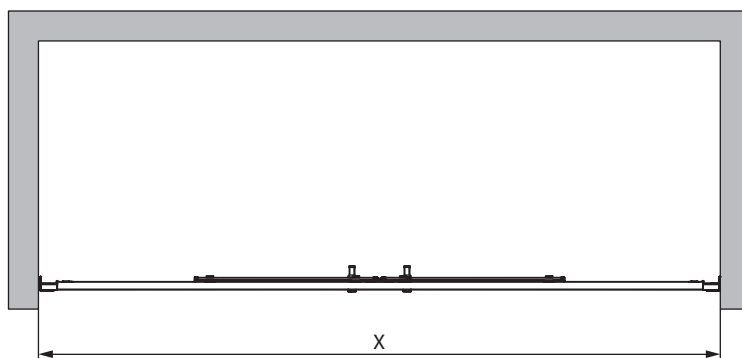
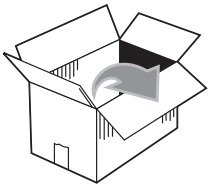
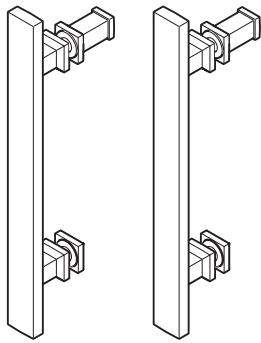
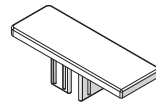
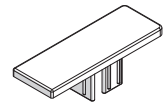
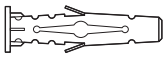


2A146	X=146-152 cm	Z=195 cm
2A156	X=156-162 cm	Z=195 cm
2A166	X=166-172 cm	Z=195 cm
2A176	X=176-182 cm	Z=195 cm
2A 186	X=186-192 cm	Z=195 cm
2A 196	X=196-202 cm	Z=195 cm



**B1****B2****B3****C1**

x4

**C2**

x4



4X35 mm

**C3**

x4



3,5x45 mm

**C5**

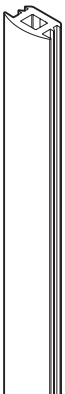
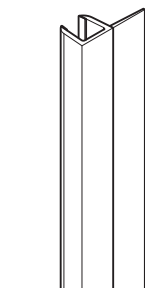
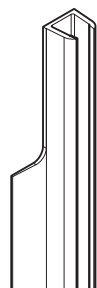
x4



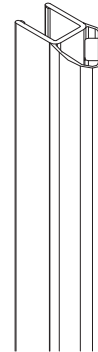
3,5x9,5 mm

**C6** x6**D1**

x2

**D2**h 1862 mm  
x2h 1924 mm  
x2**D3**

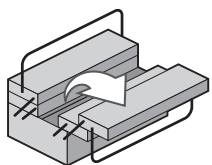
x2



h 1924 mm

**D4**

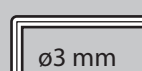
x4



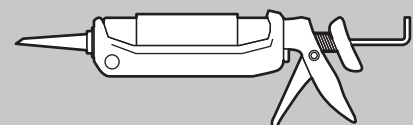
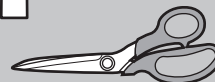
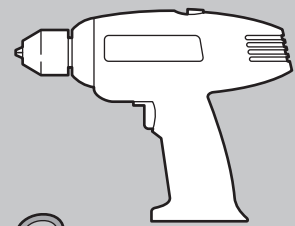
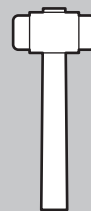
ø6 mm



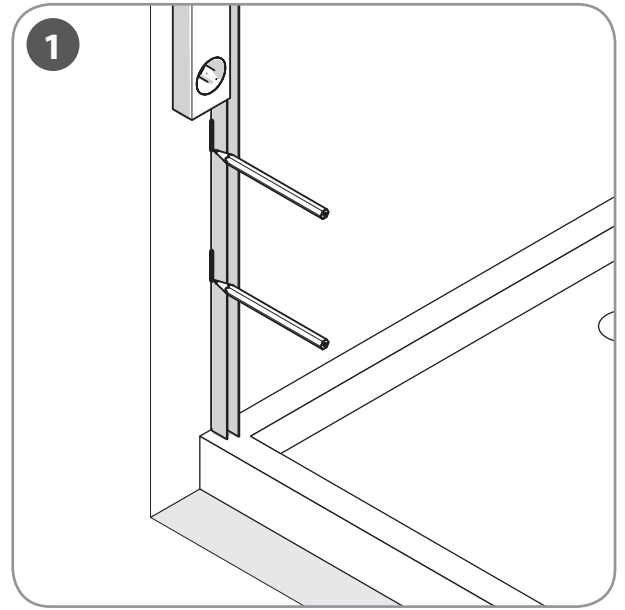
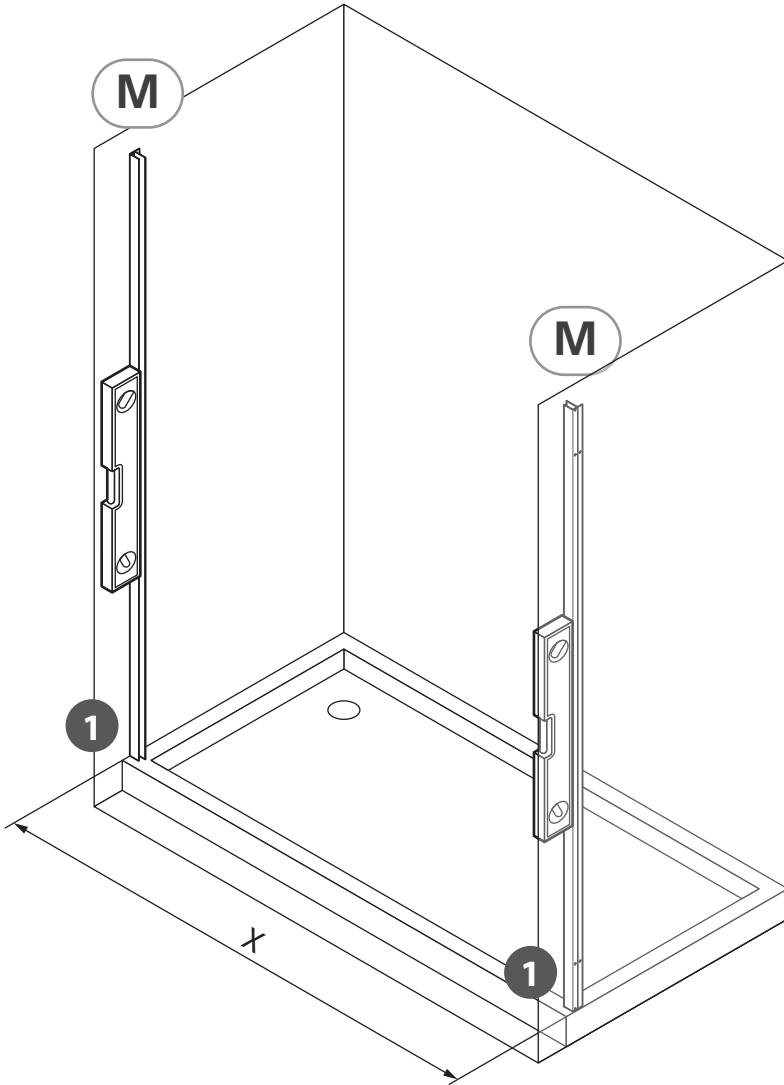
ø3 mm



ø3 mm



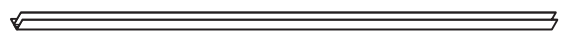
# 1



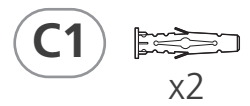
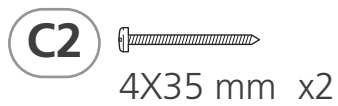
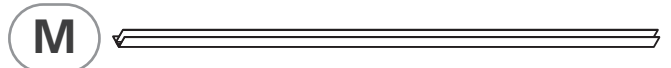
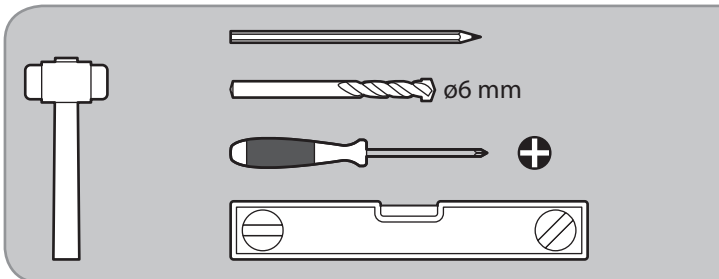
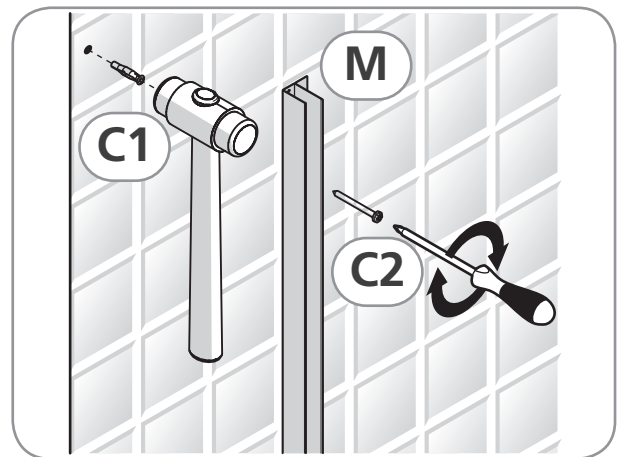
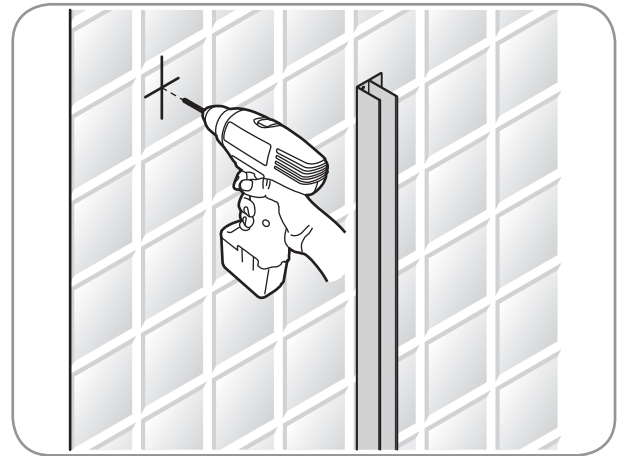
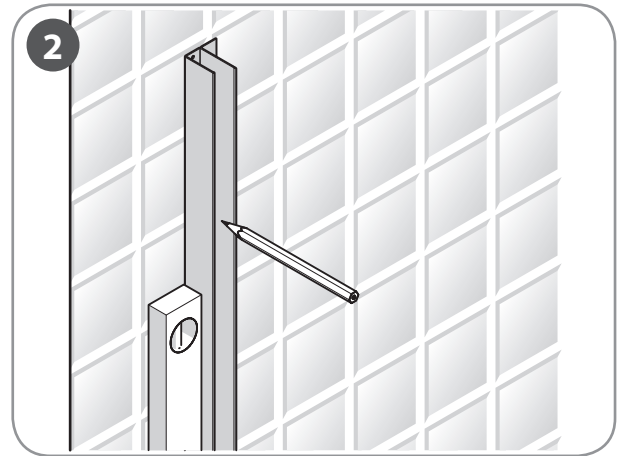
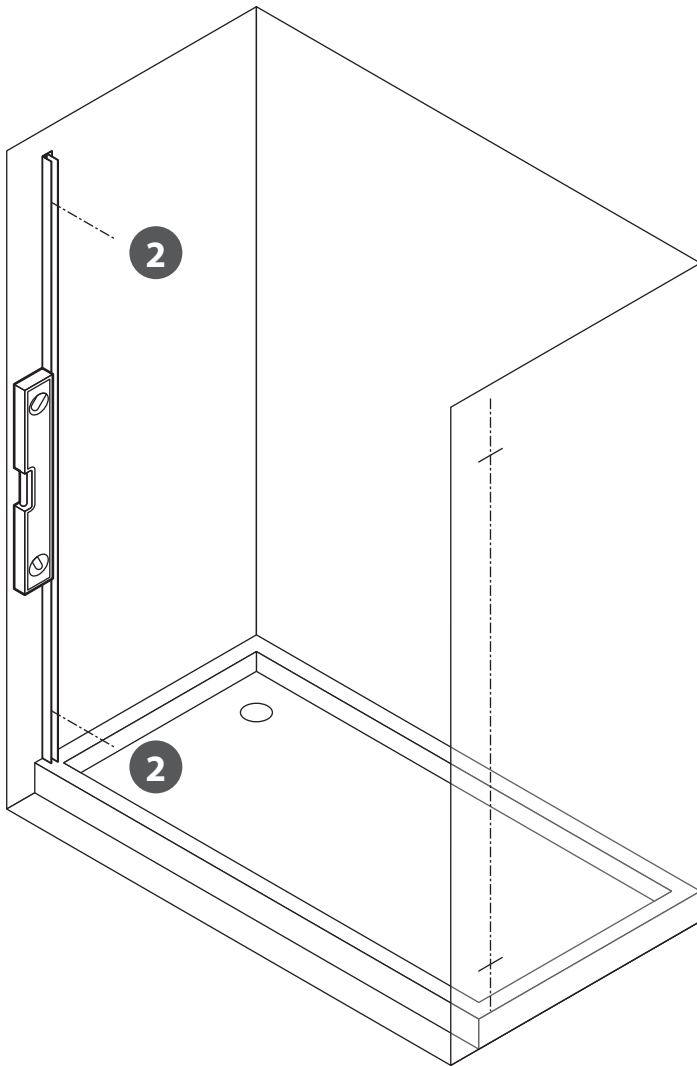
2A146	X=146-152 cm
2A156	X=156-162 cm
2A166	X=166-172 cm
2A176	X=176-182 cm
2A 186	X=186-192 cm
2A 196	X=196-202 cm



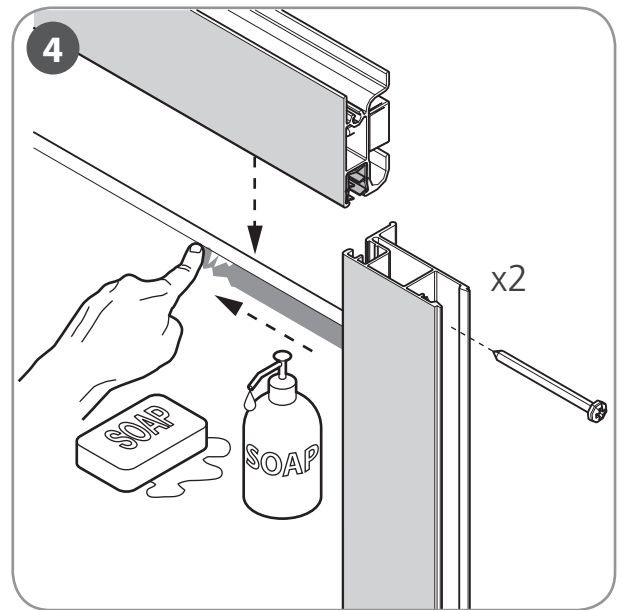
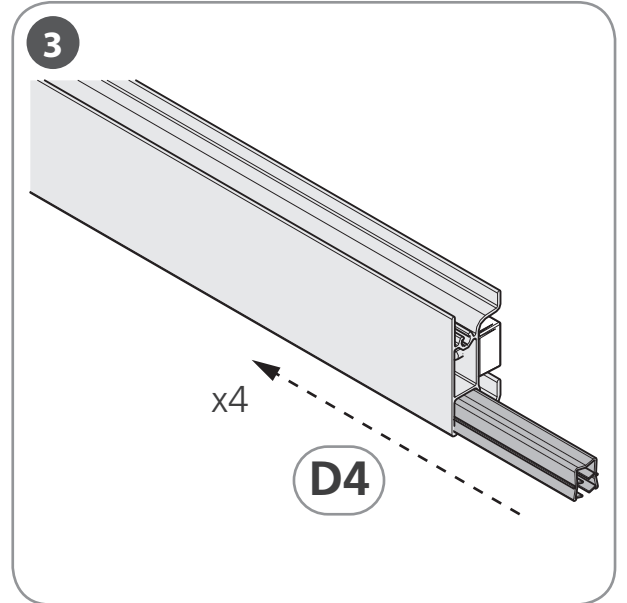
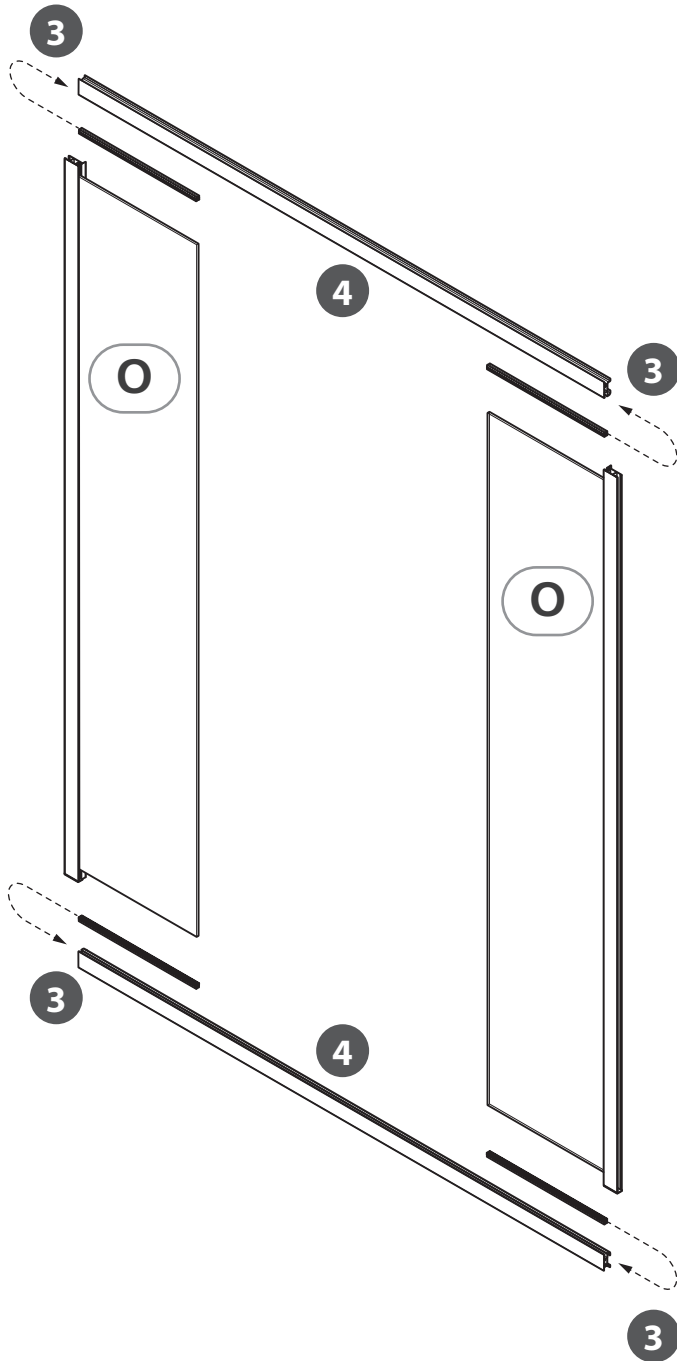
**M**



x2



3

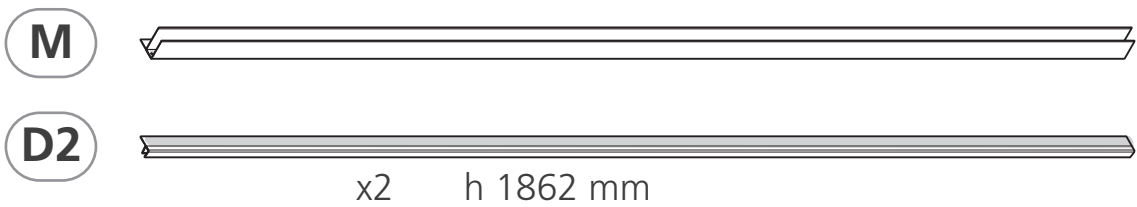
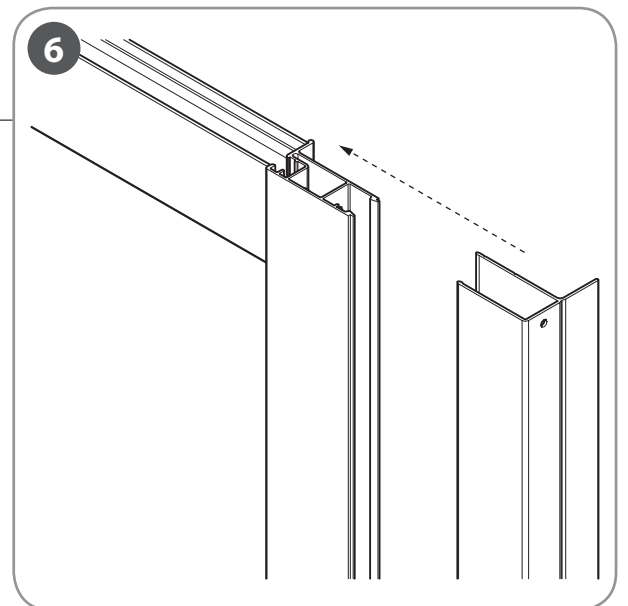
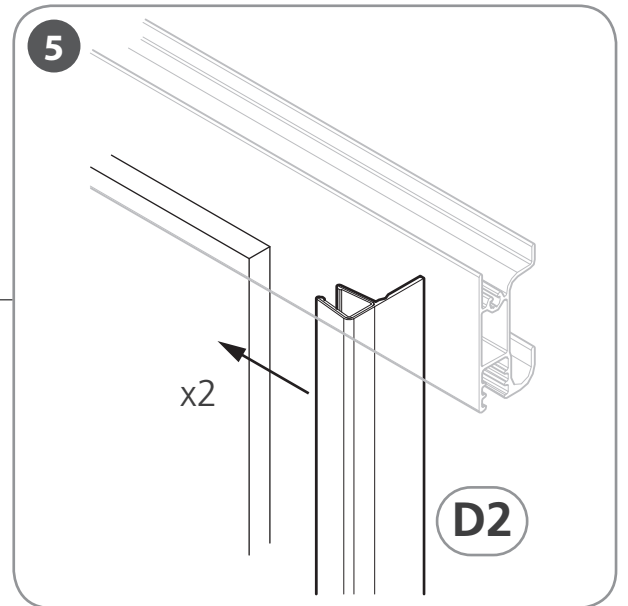
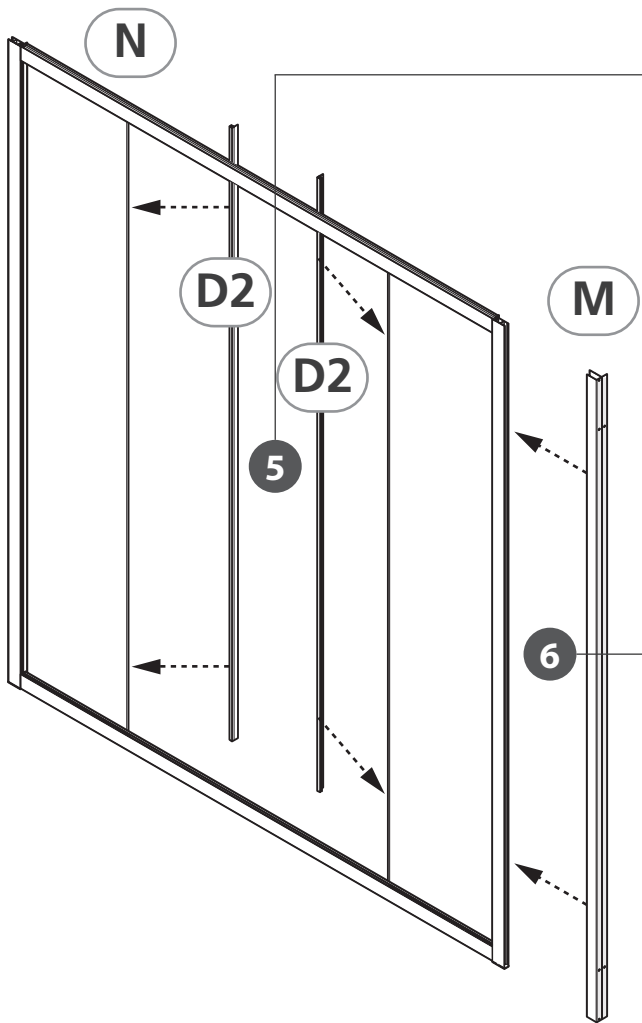


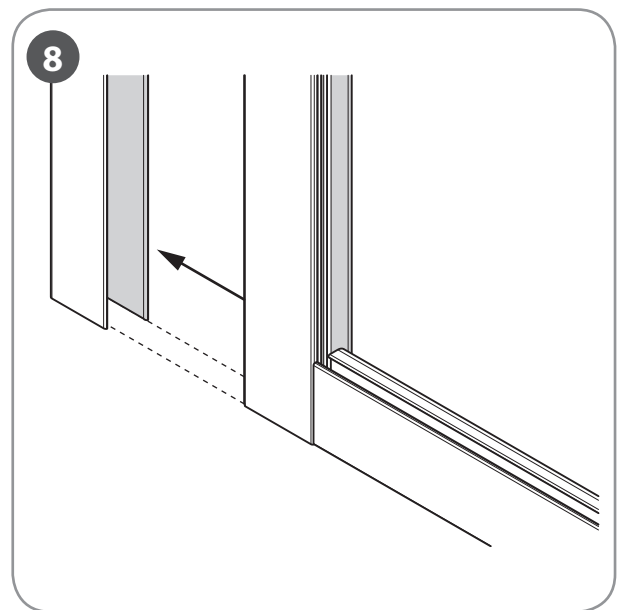
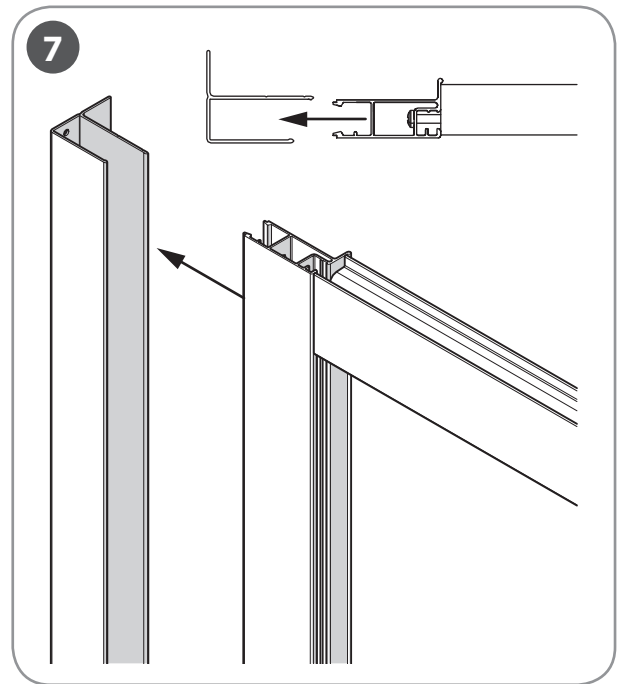
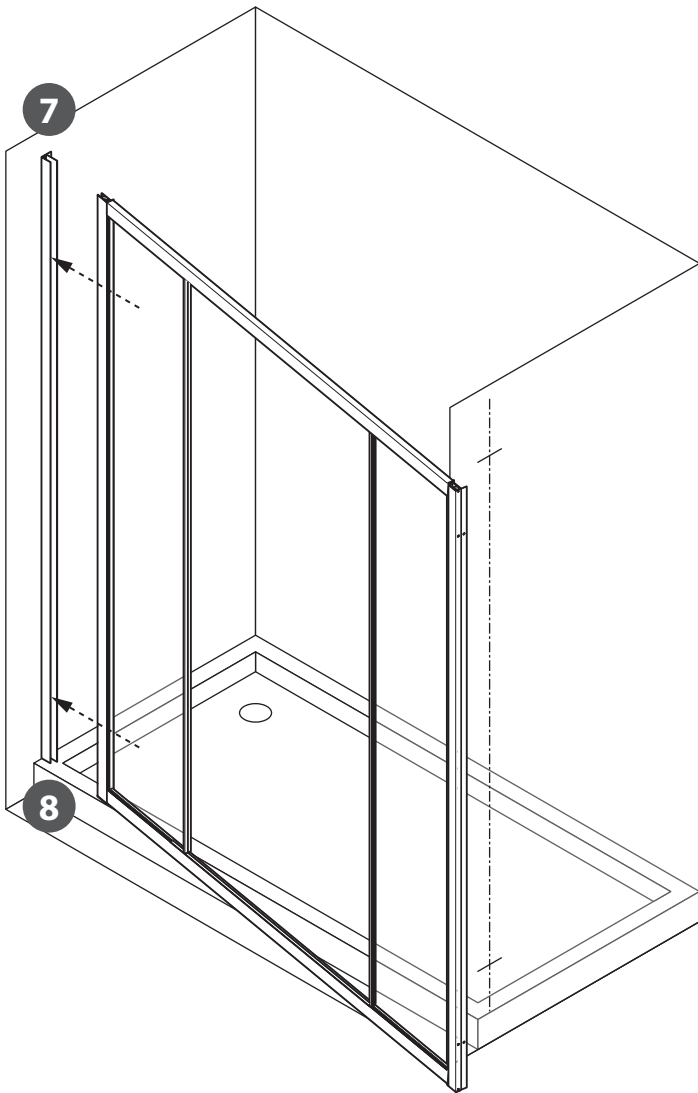
D4 x4



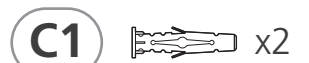
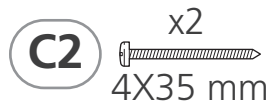
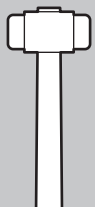
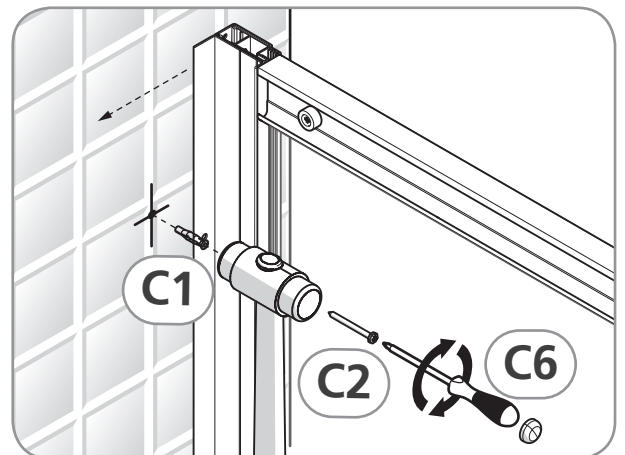
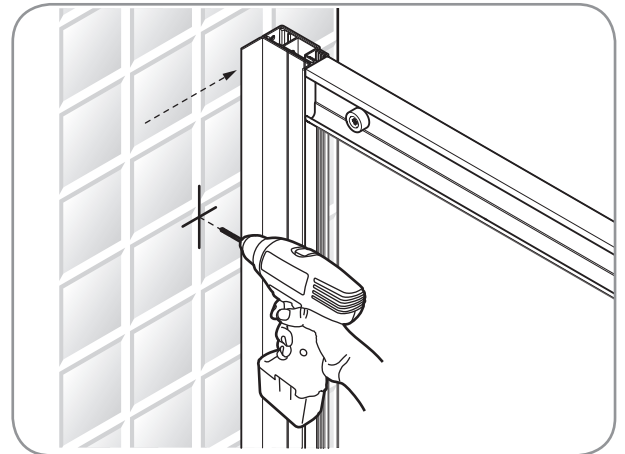
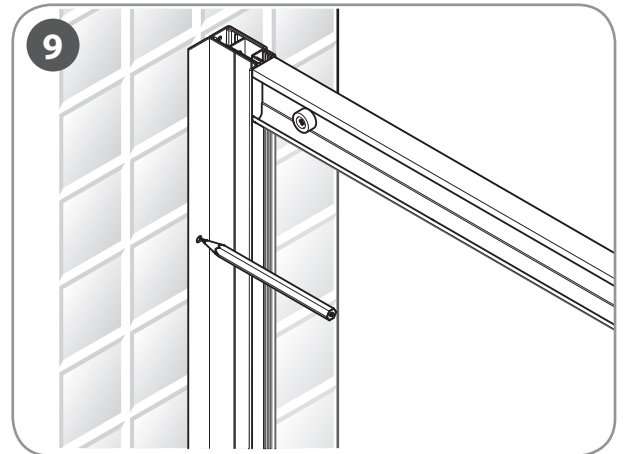
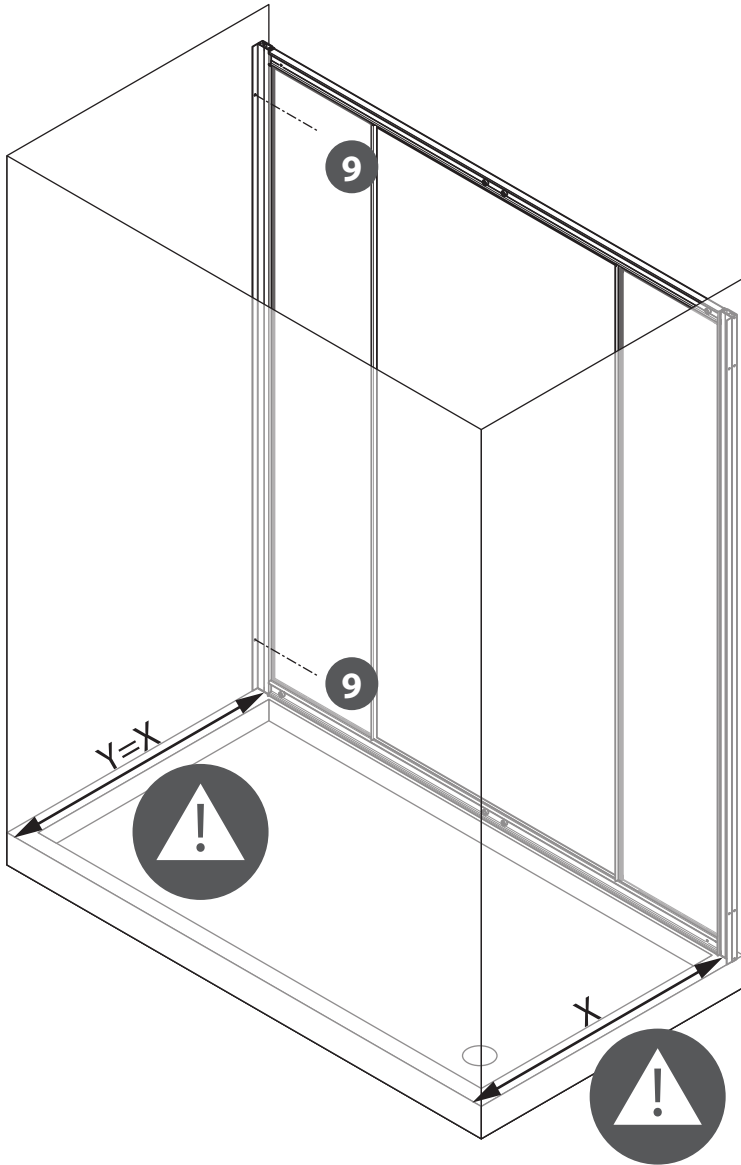
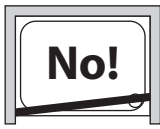
C2 3,5X45 mm x4

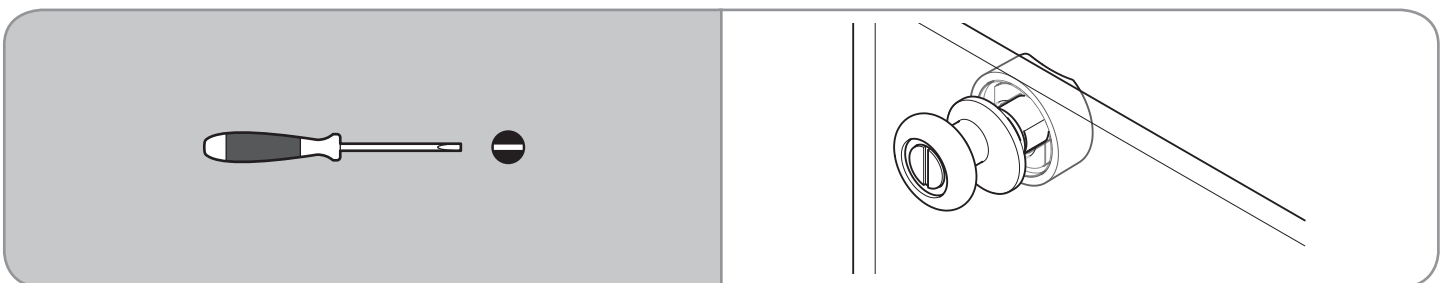
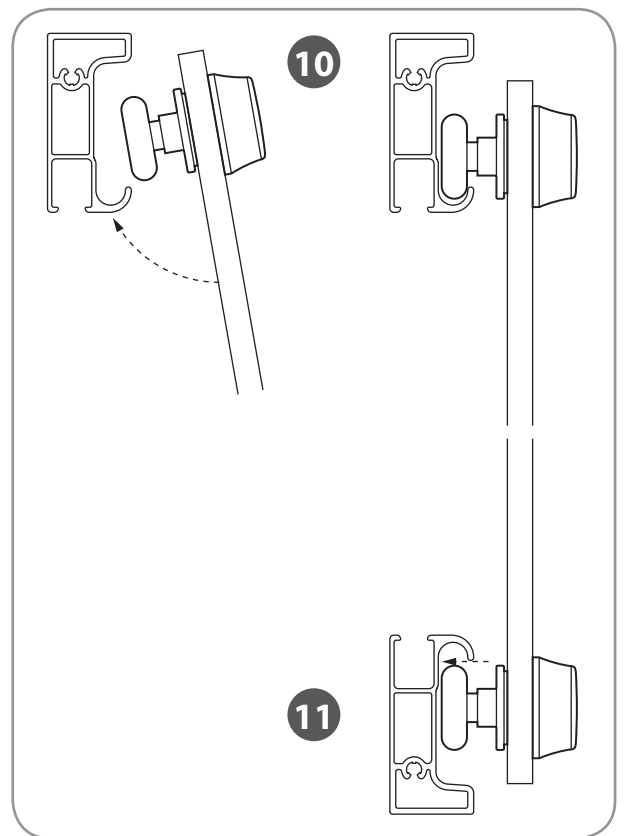
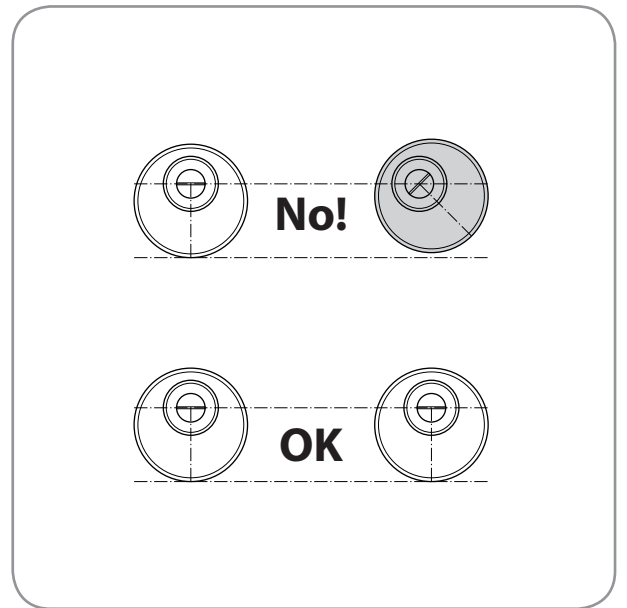
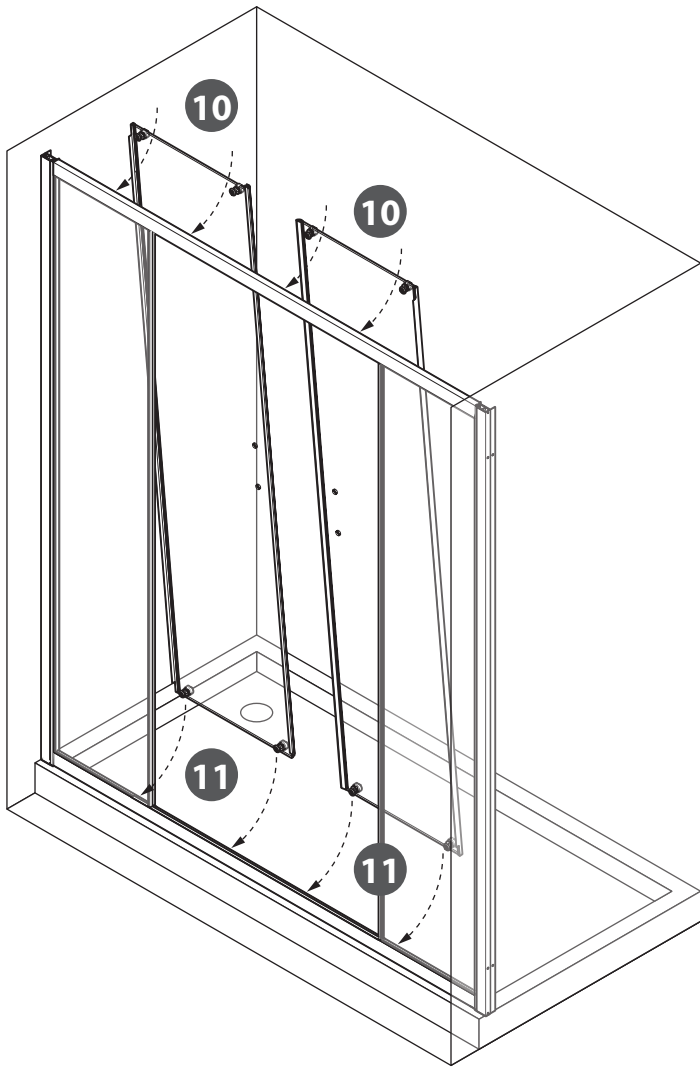


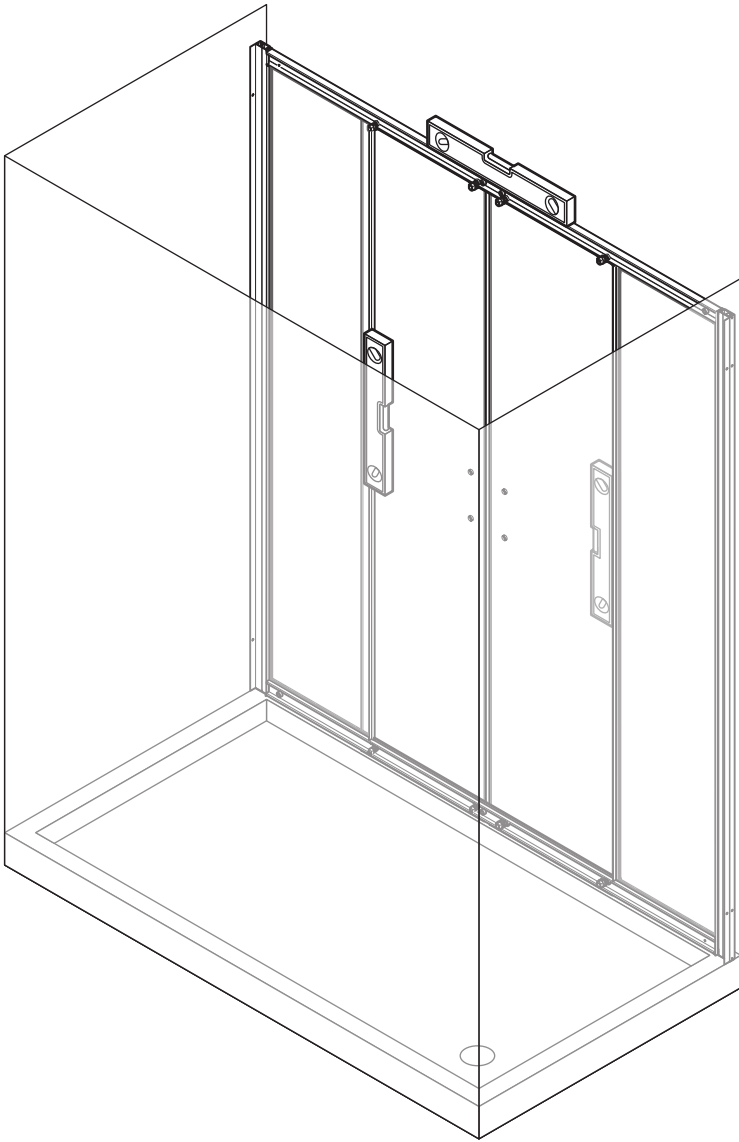
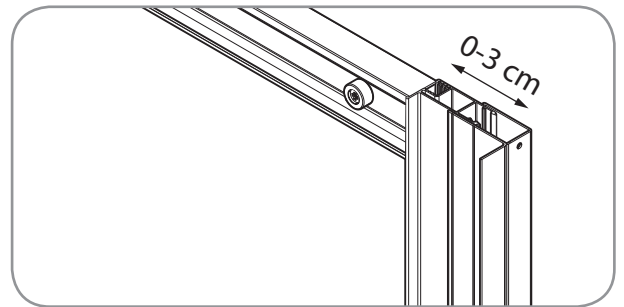
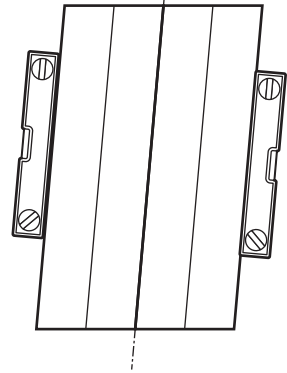
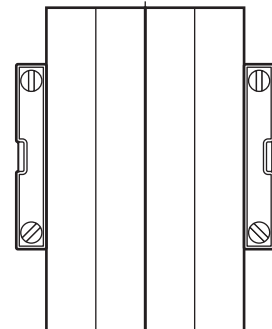


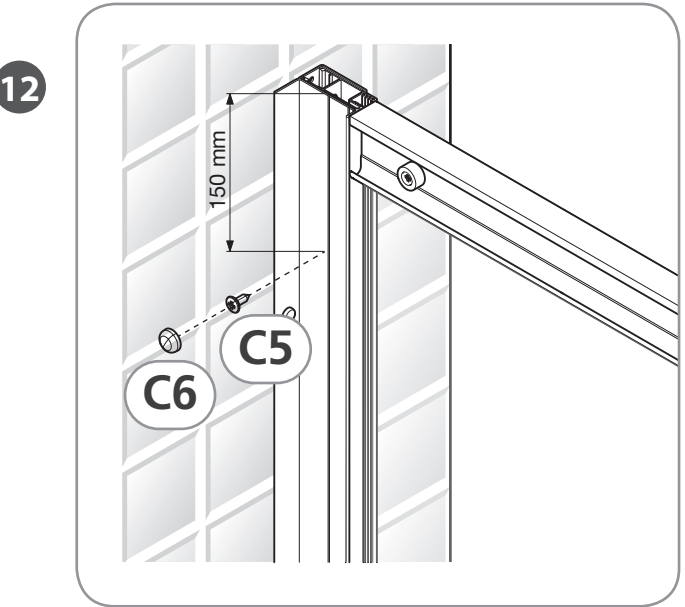
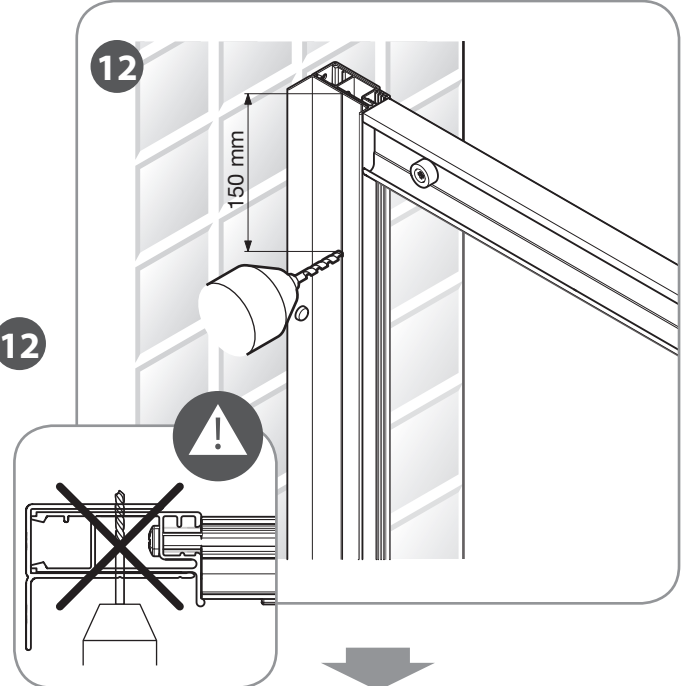
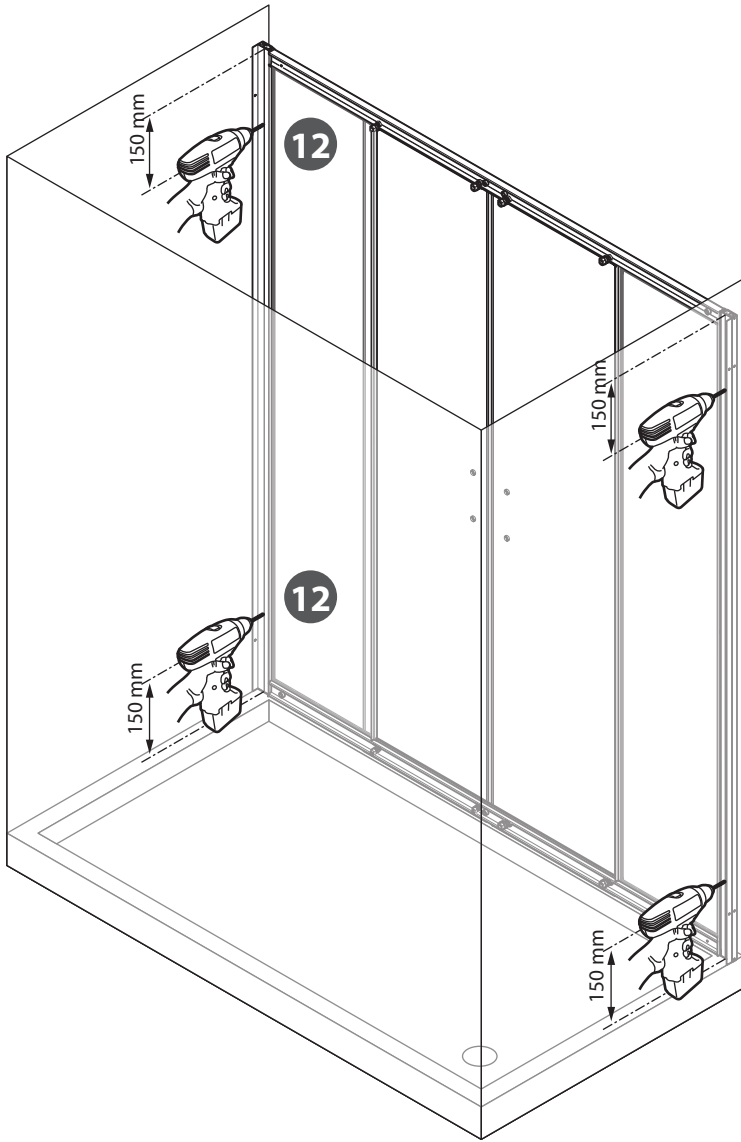




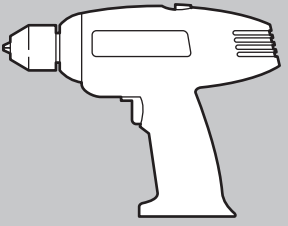







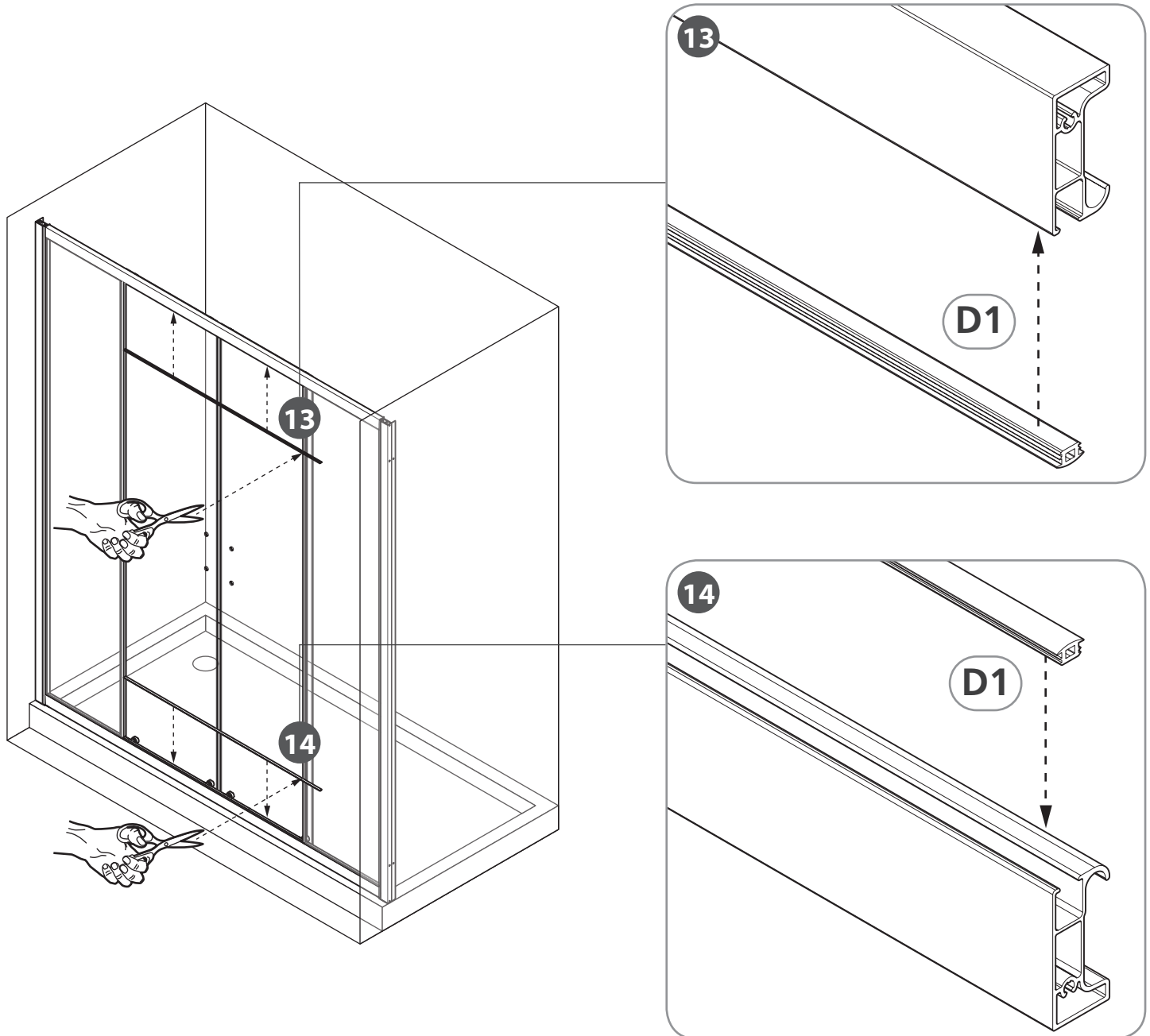





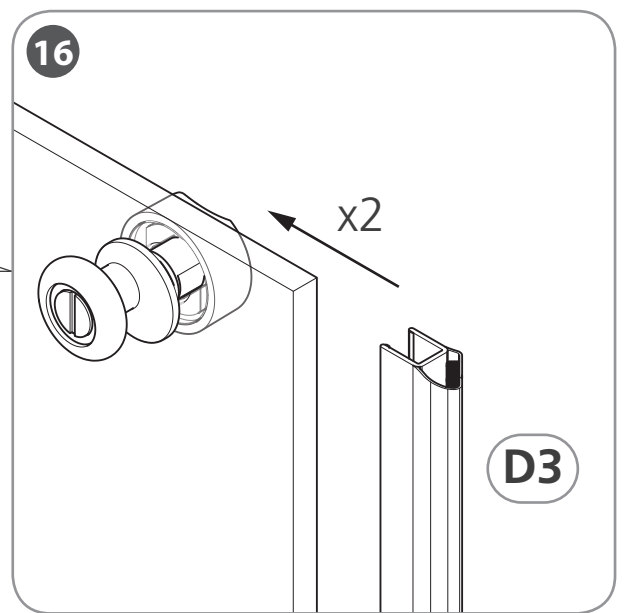
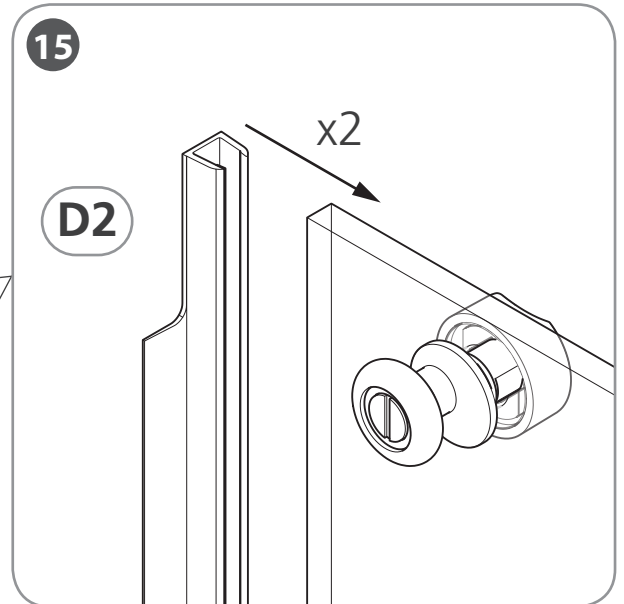
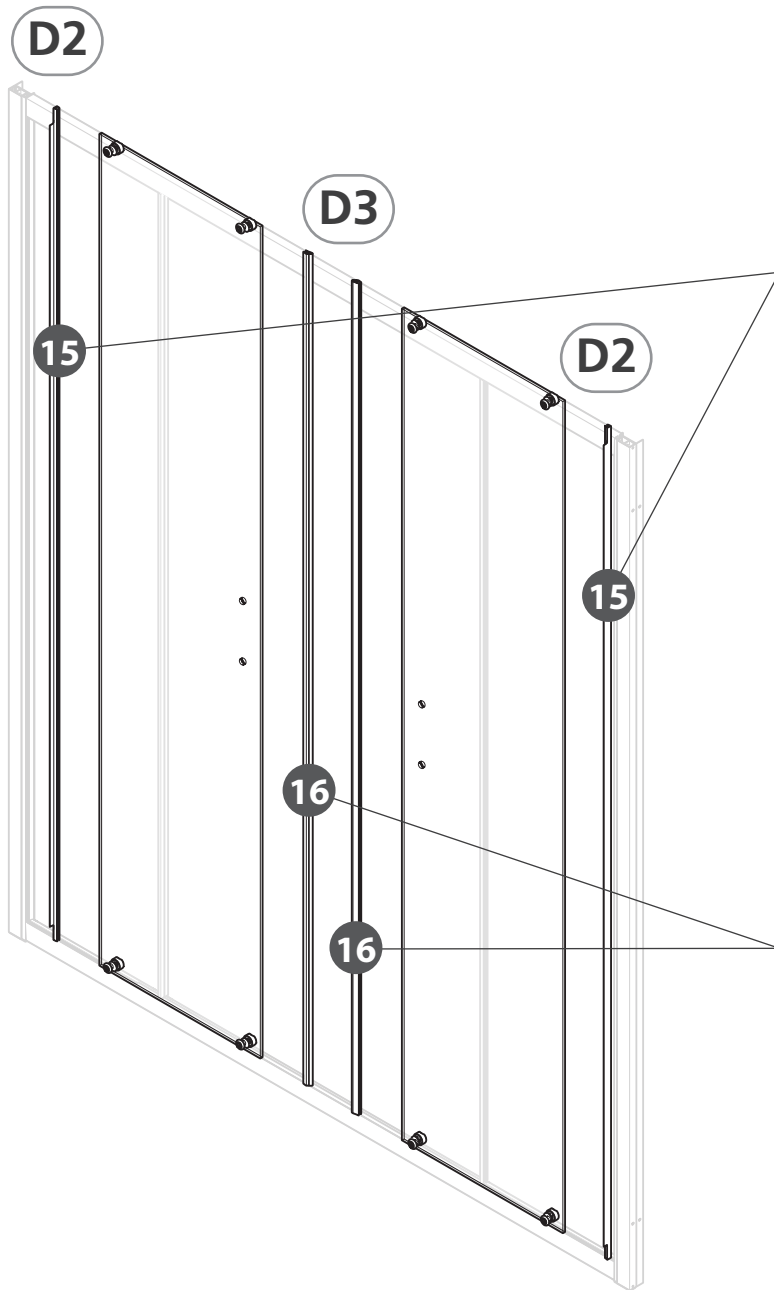
**No!****OK**



    ø3 mm	  <b>C5</b> 3,5x9,5 mm x4	  <b>C6</b> x4
--	--	--



D1  x2



h 1924

**D2**



x2

h 1924

**D3**



x2

