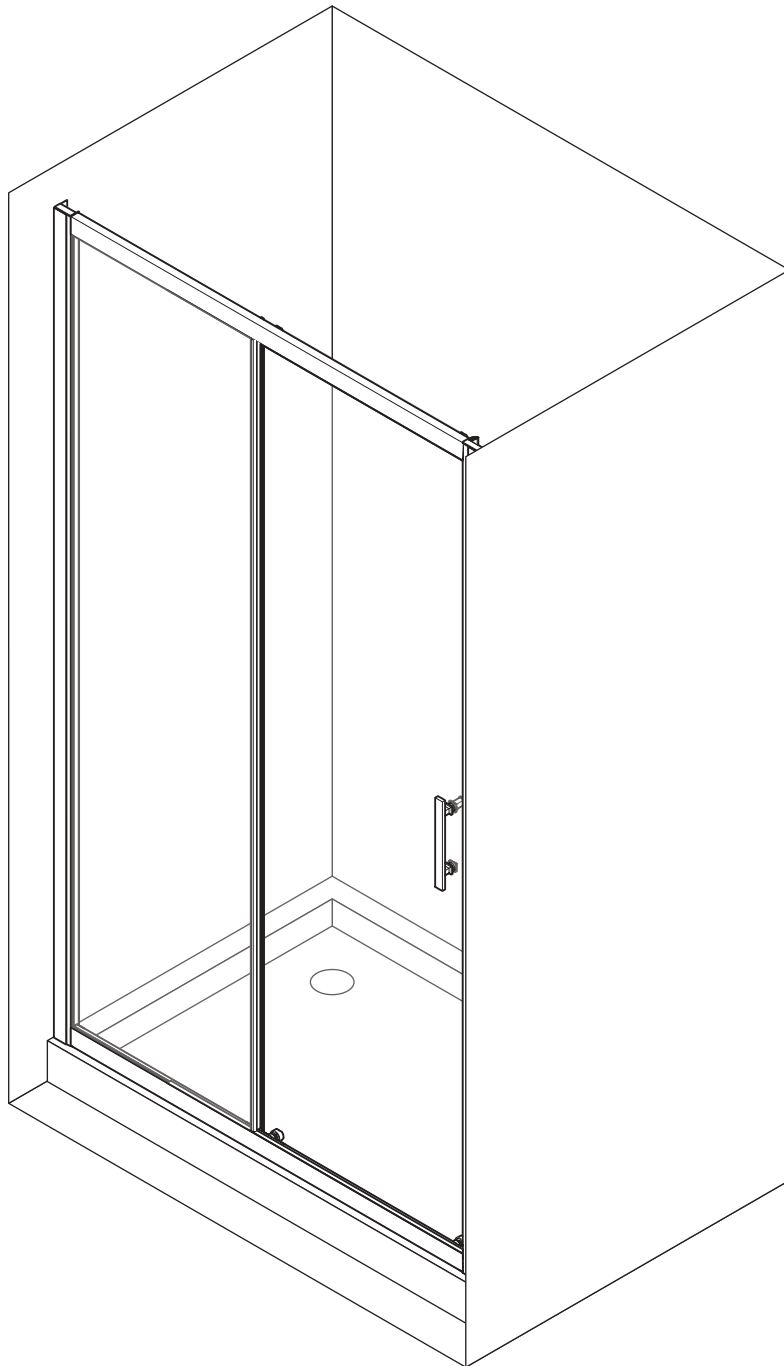
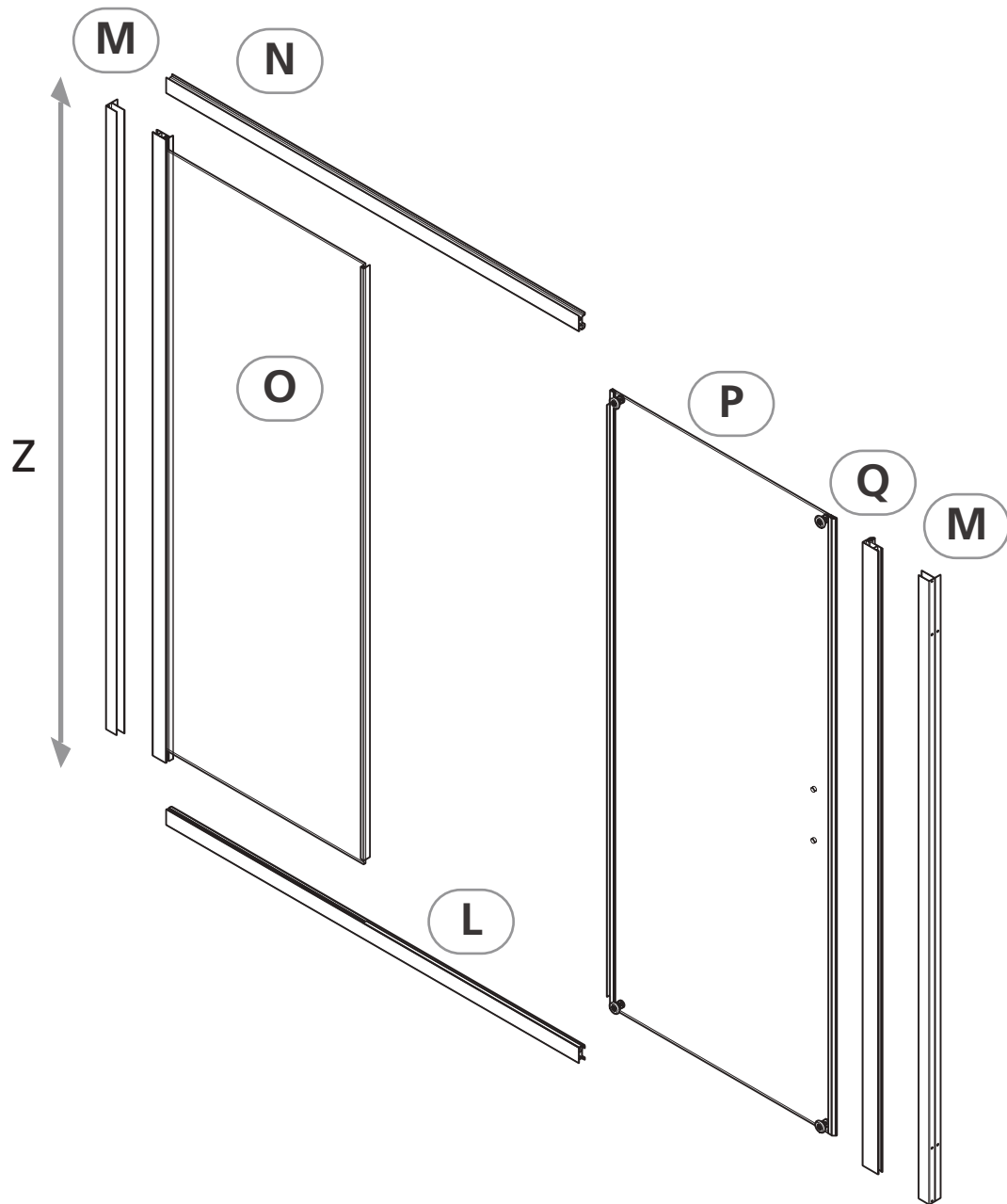


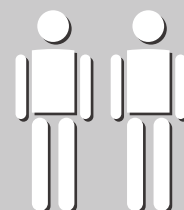
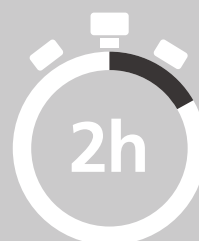
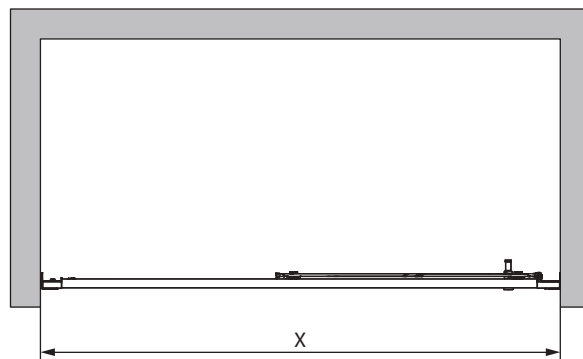
ZEPHYROS

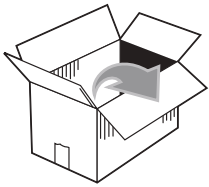
2P



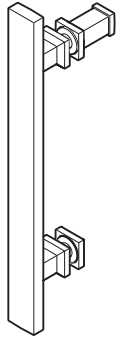


2P96	X=96-102 cm	Z=195 cm
2P114	X=114-120 cm	Z=195 cm
2P116	X=116-122 cm	Z=195 cm
2P126	X=126-132 cm	Z=195 cm
2P136	X=136-142 cm	Z=195 cm
2P146	X=146-152 cm	Z=195 cm
2P156	X=156-162 cm	Z=195 cm

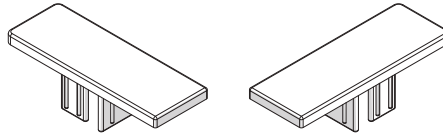




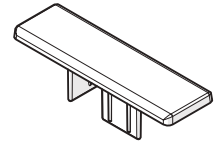
B1



B2

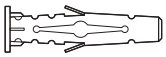


B3



C1

x4



C2

x4



4X35 mm

C3

x4



3,5x45 mm

C5

x4



3,5x9,5 mm

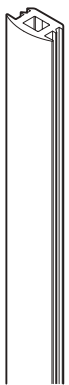
C6

x6

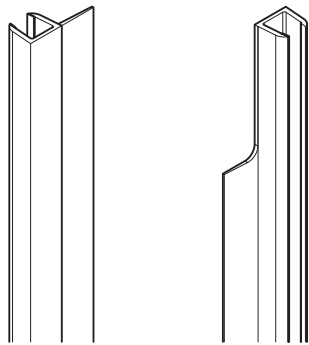


D1

x2

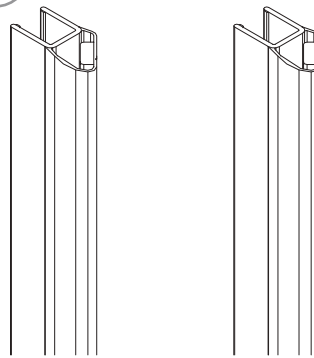


D2



h 1862 mm h 1924 mm

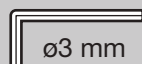
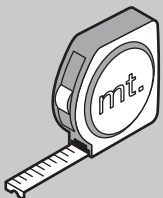
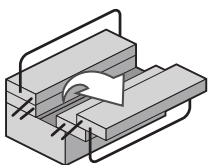
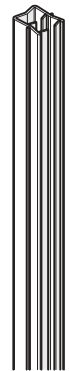
D3



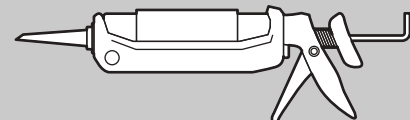
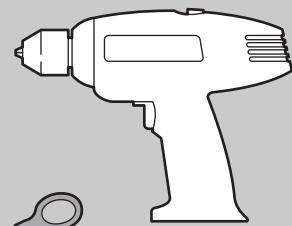
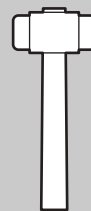
h 1950 mm h 1924 mm

D4

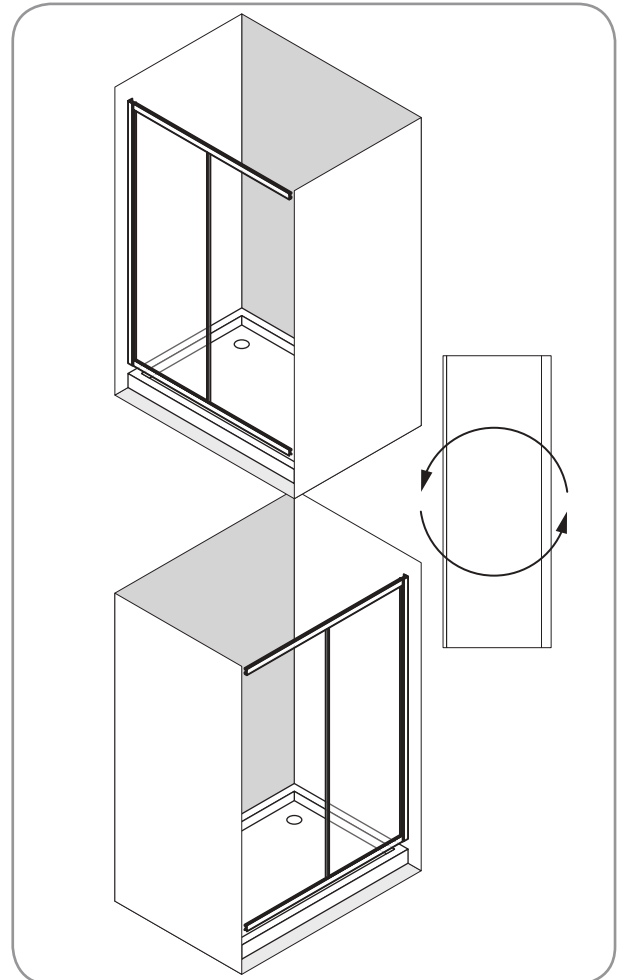
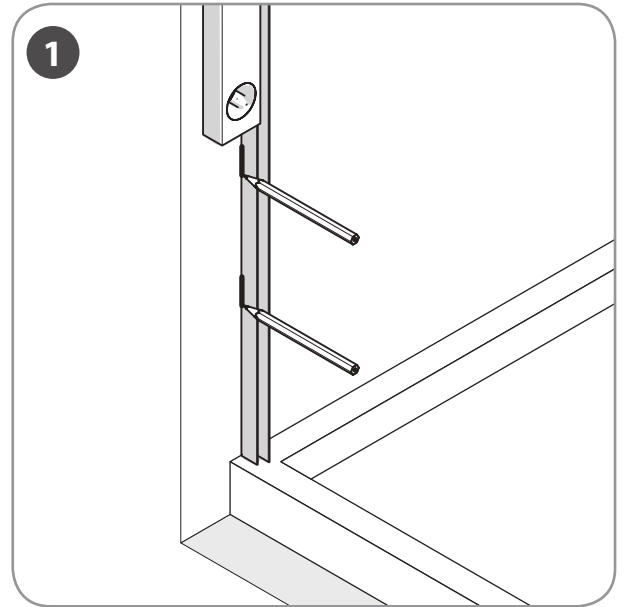
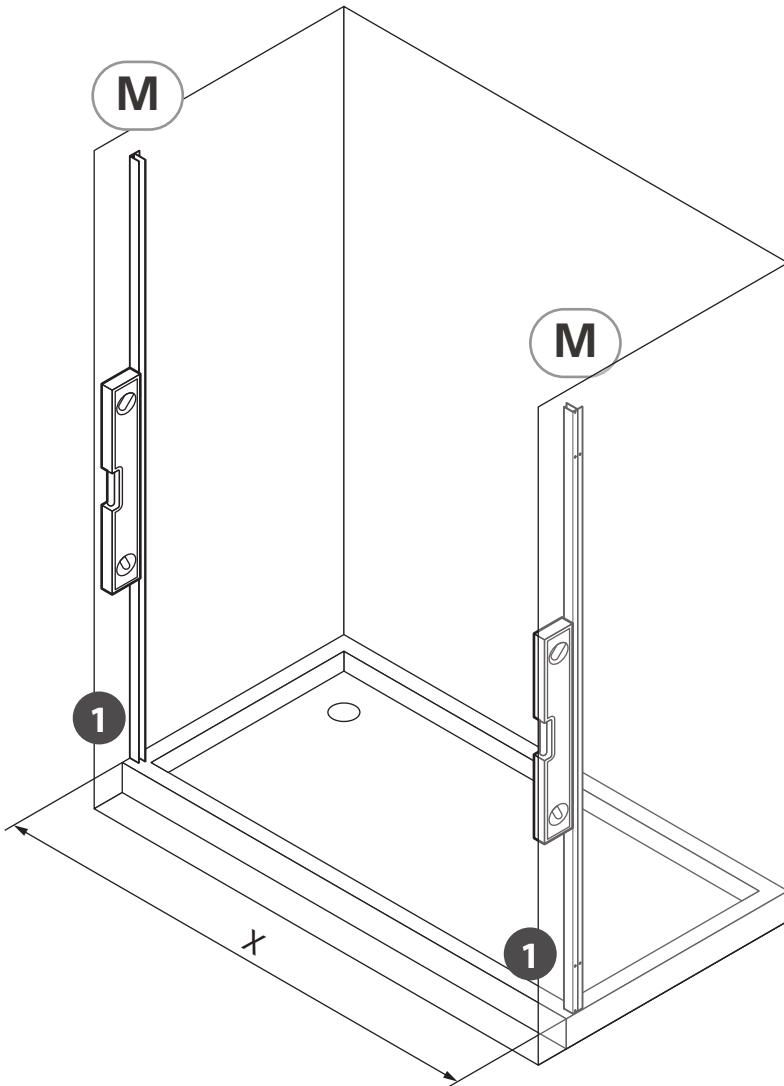
x2



ø3 mm



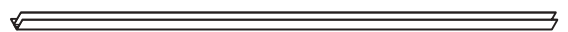
1



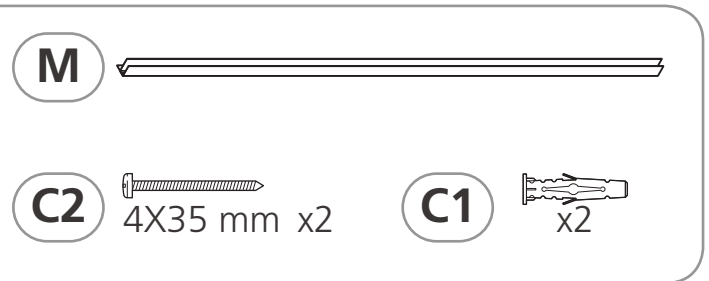
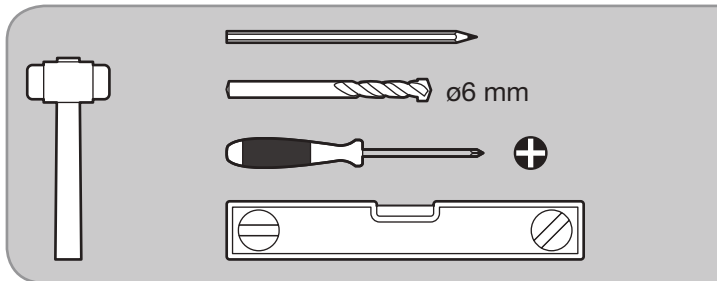
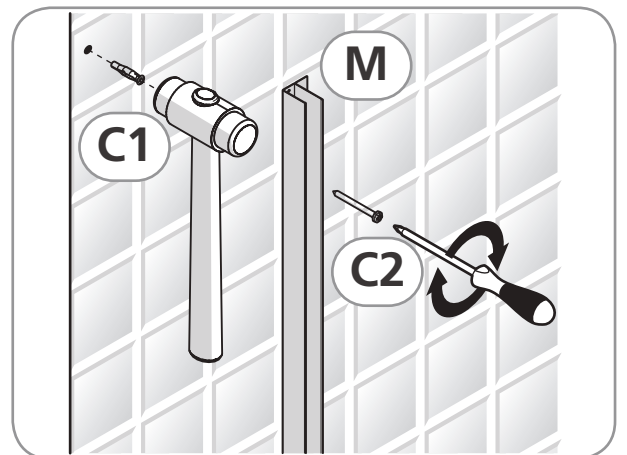
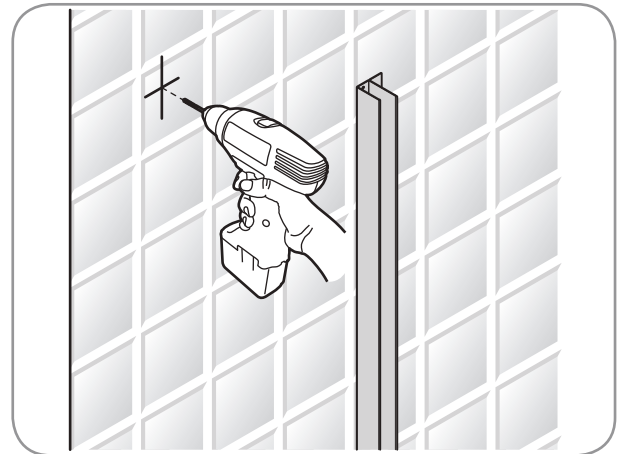
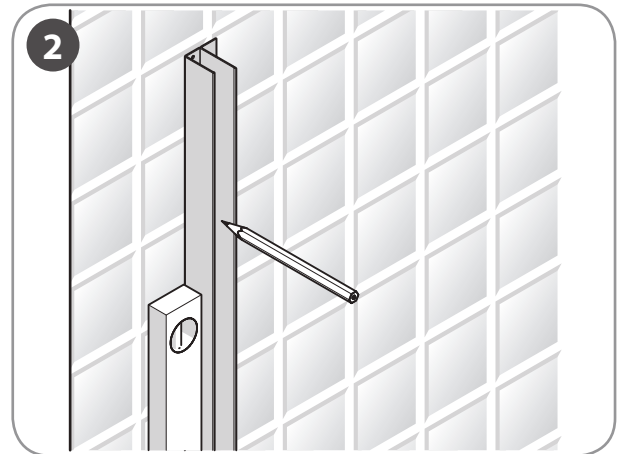
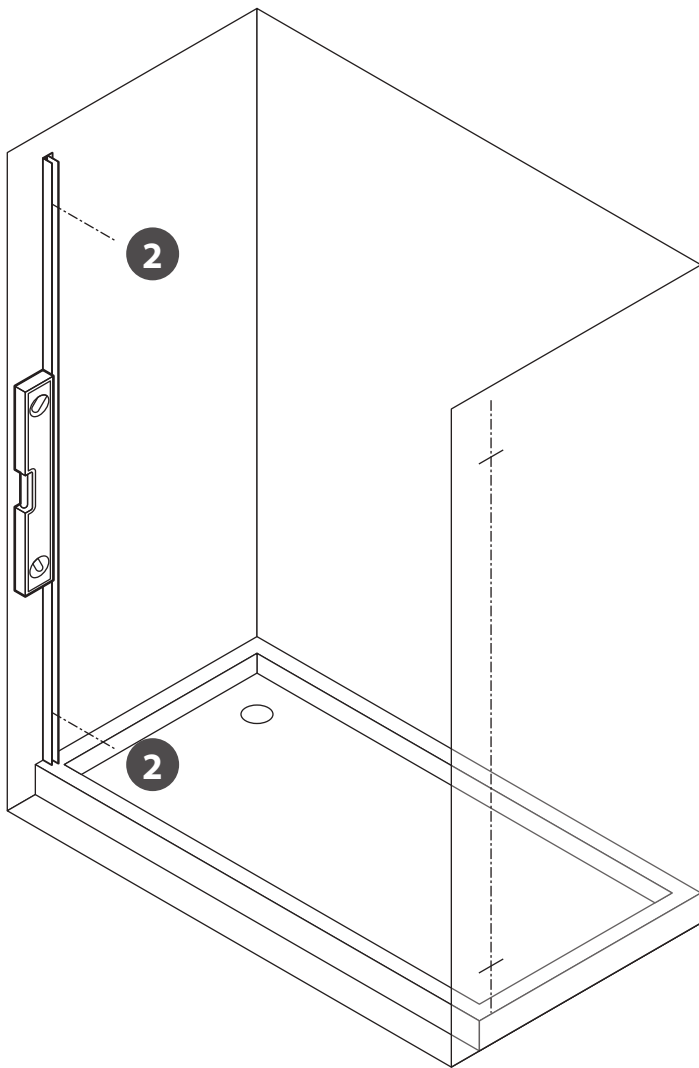
2P96	X=96-102 cm	Z=195 cm
2P114	X=114-120 cm	Z=195 cm
2P116	X=116-122 cm	Z=195 cm
2P126	X=126-132 cm	Z=195 cm
2P136	X=136-142 cm	Z=195 cm
2P146	X=146-152 cm	Z=195 cm
2P156	X=156-162 cm	Z=195 cm



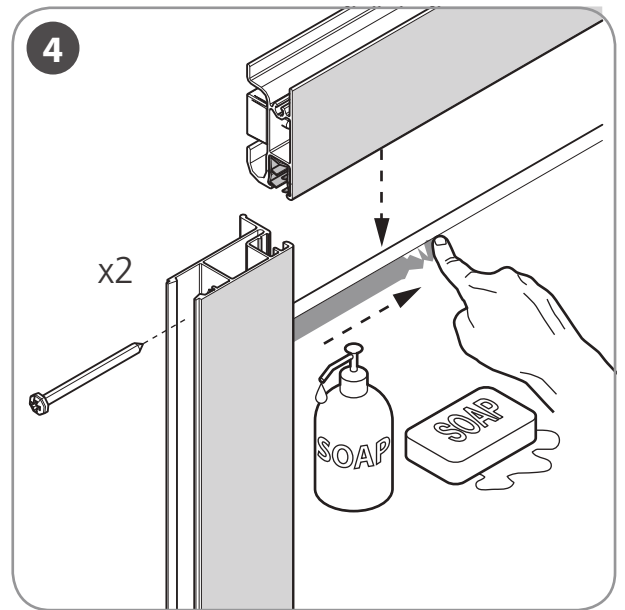
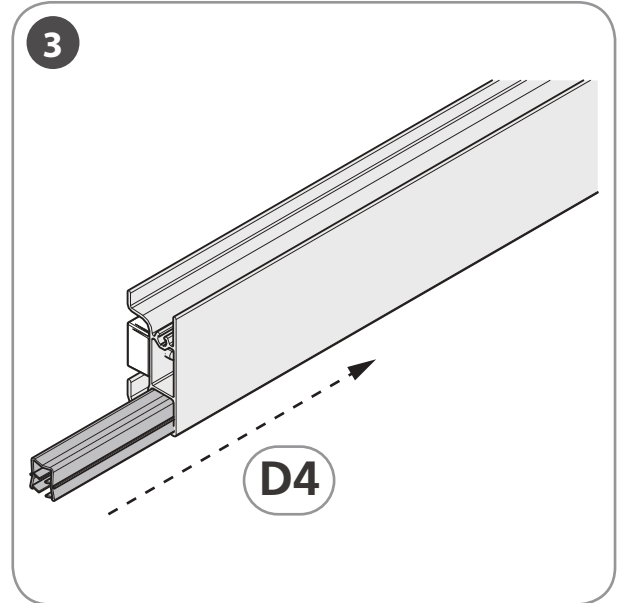
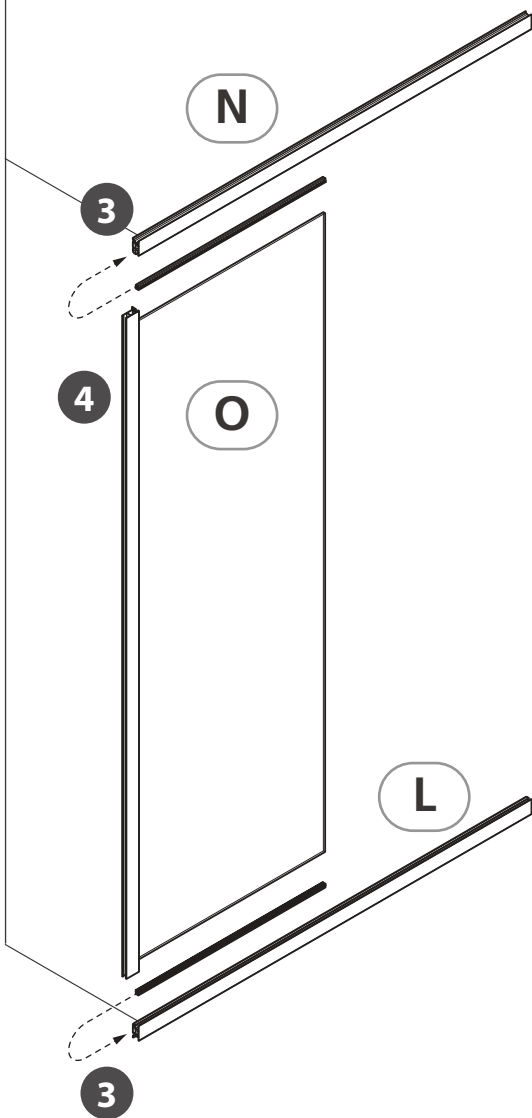
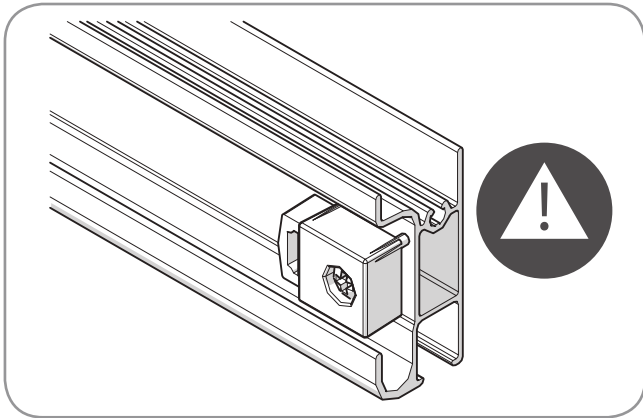
M



x2



3

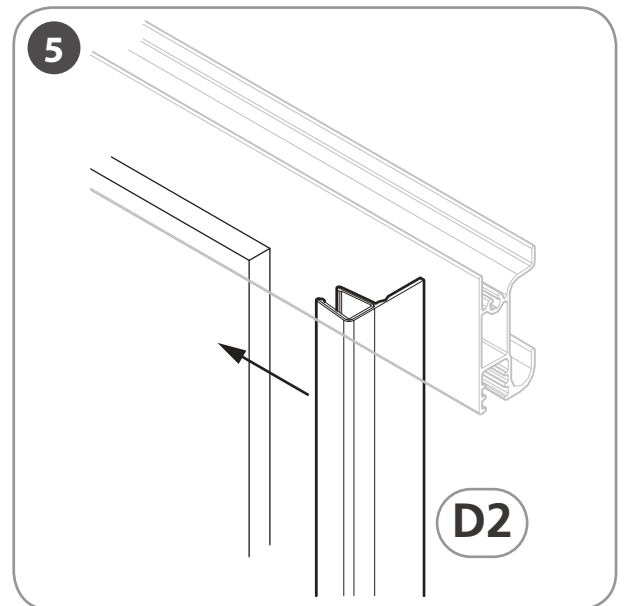
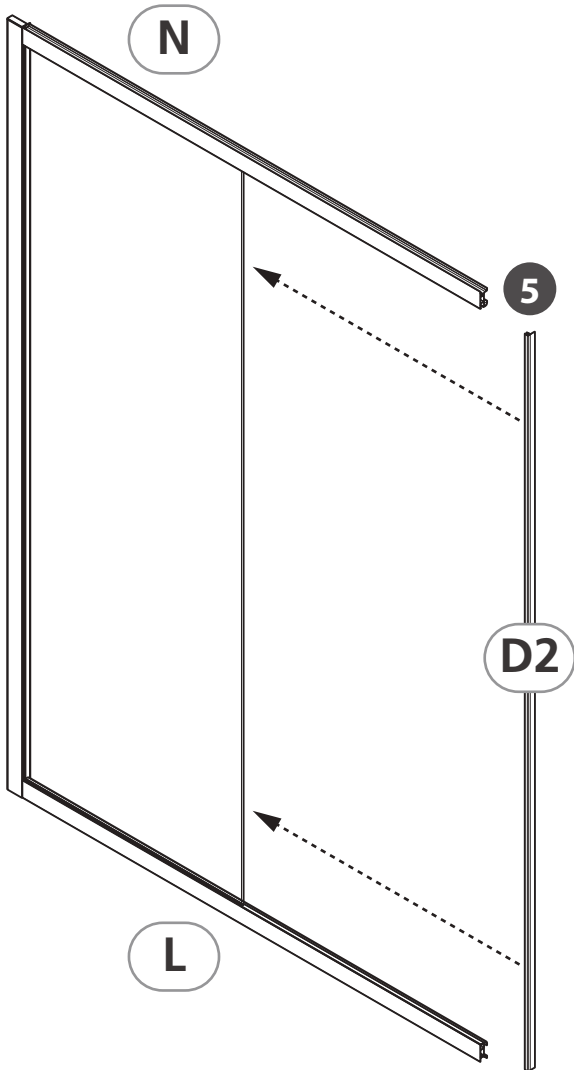


D4 x2



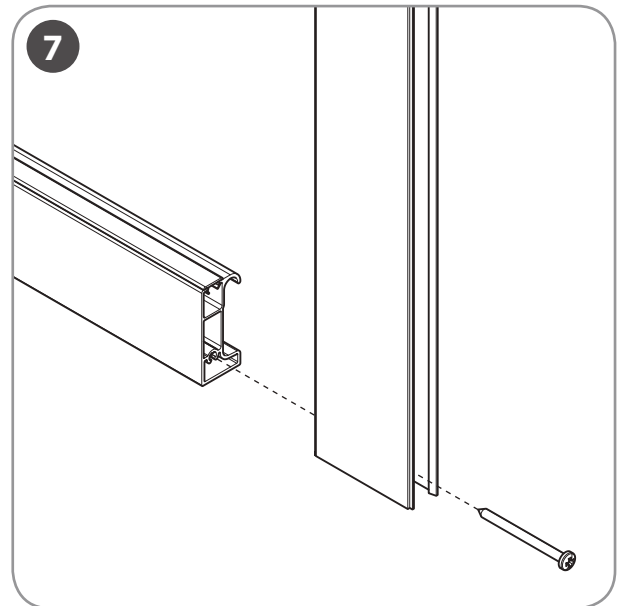
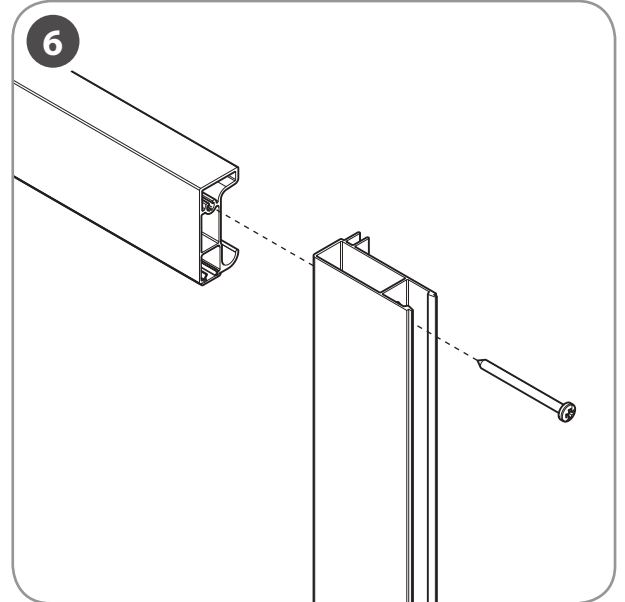
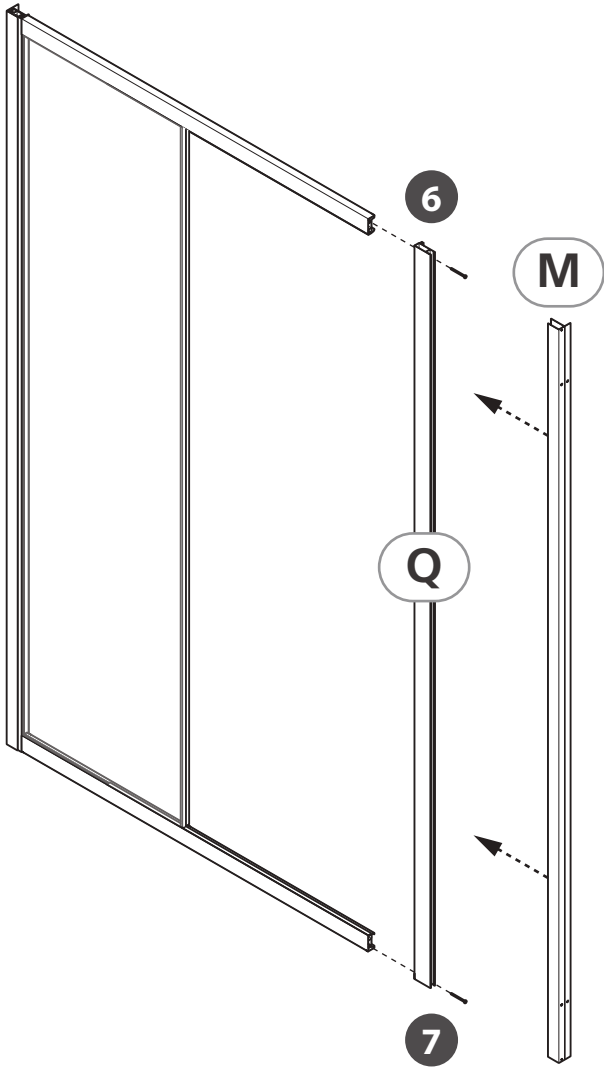
C2 3,5X45 mm x2


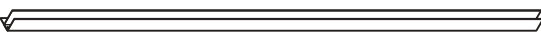



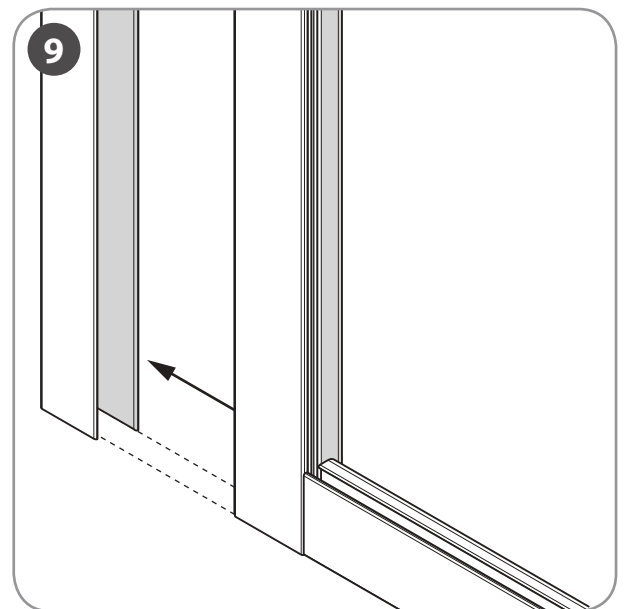
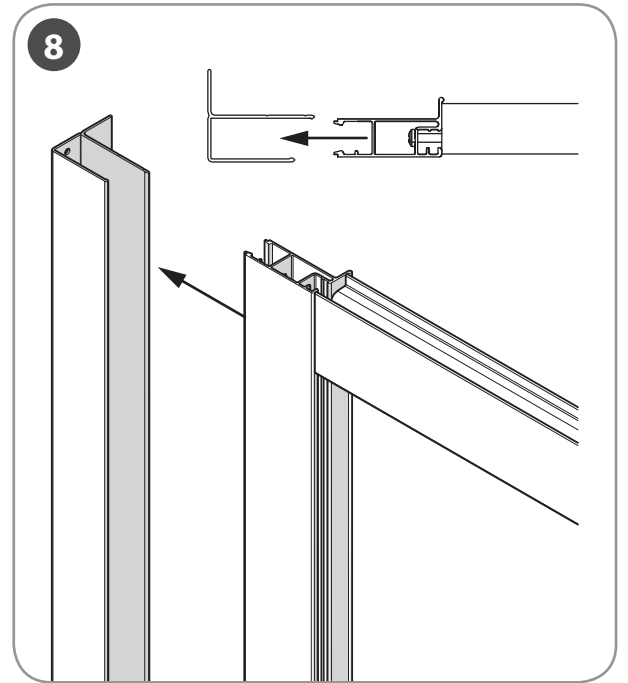
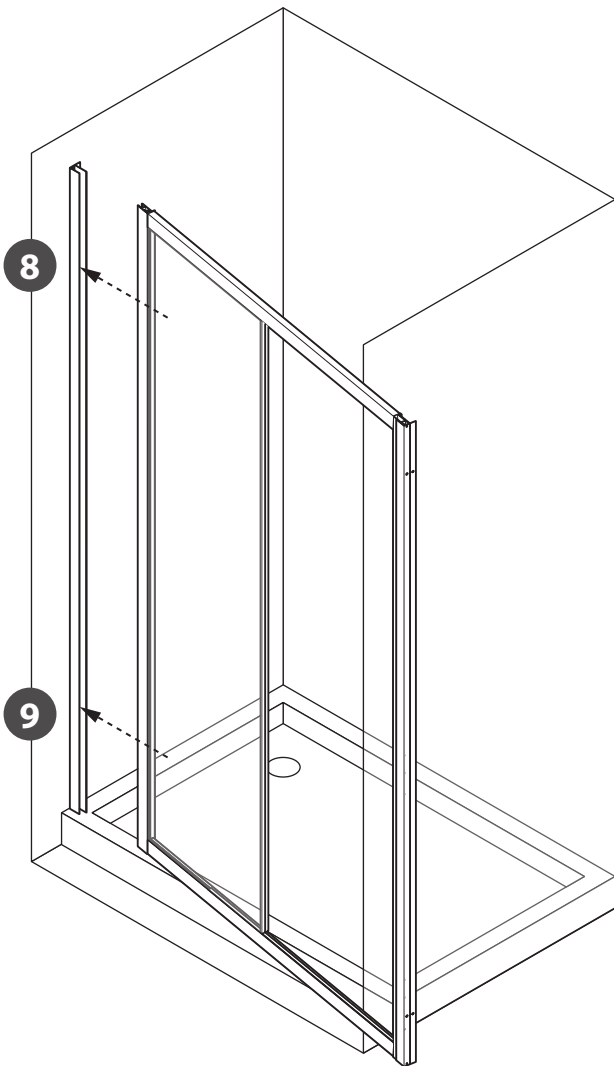
**D2**

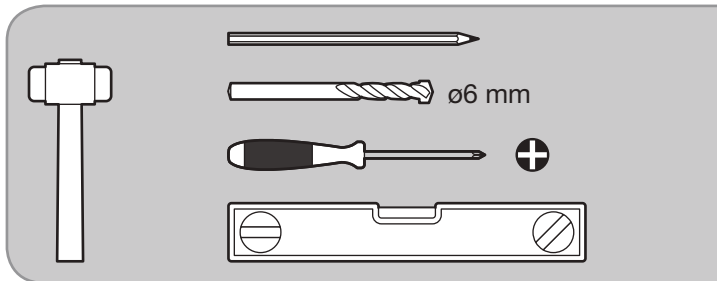
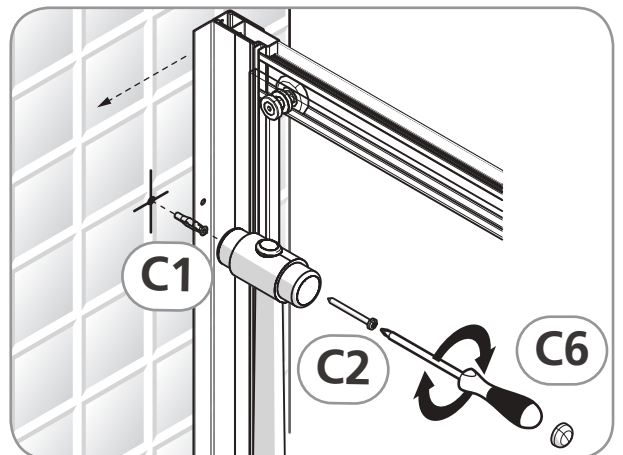
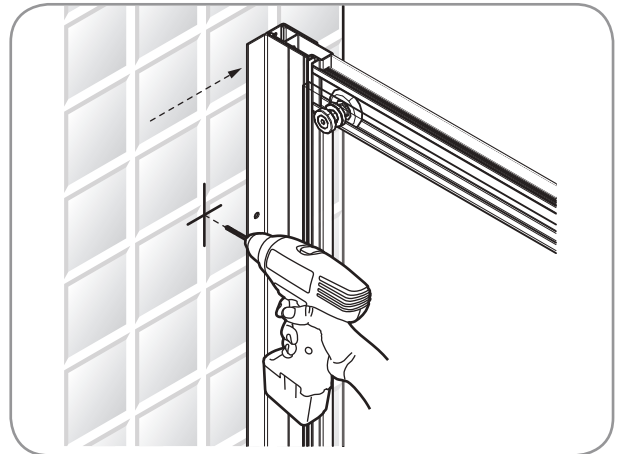
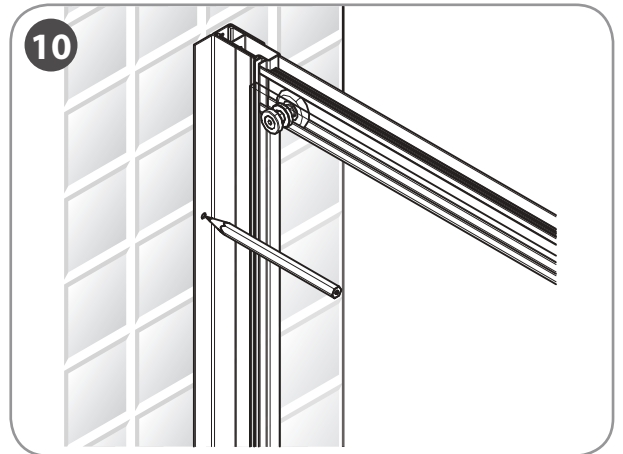
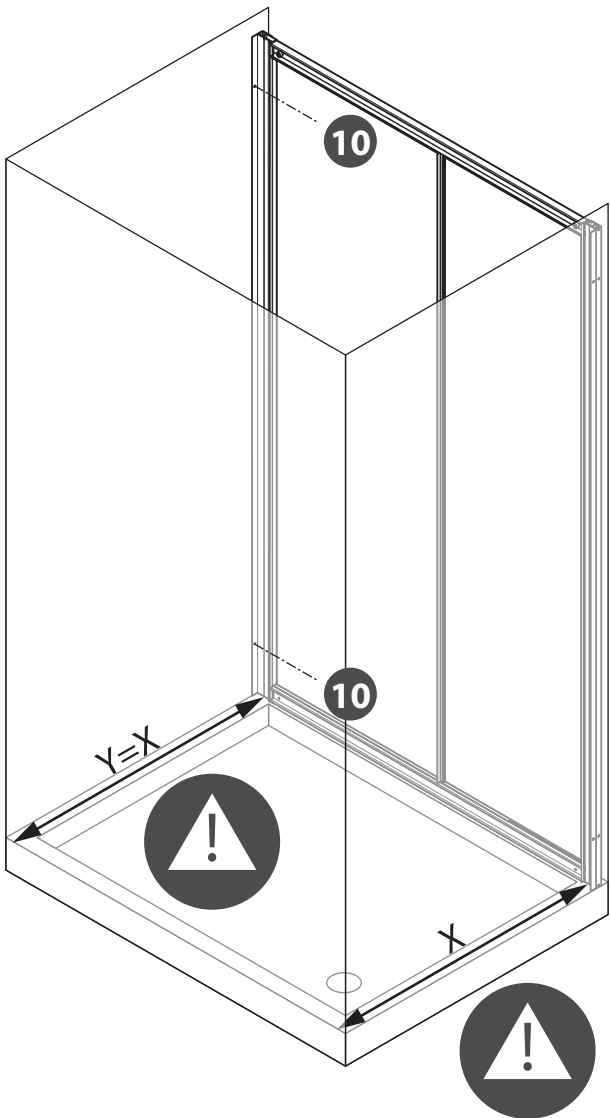
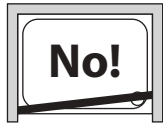
h 1862 mm

5

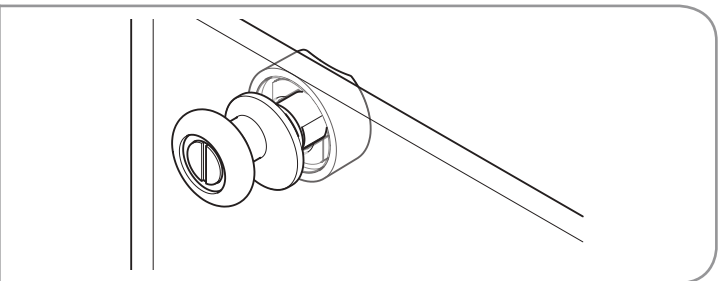
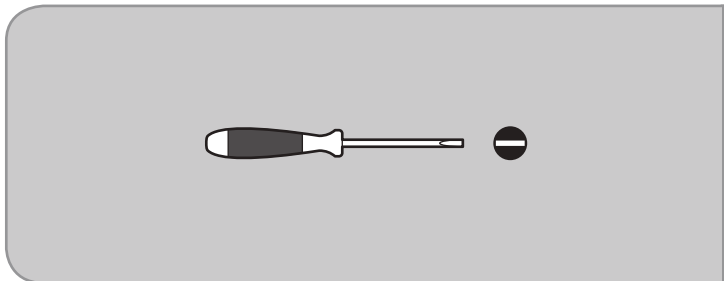
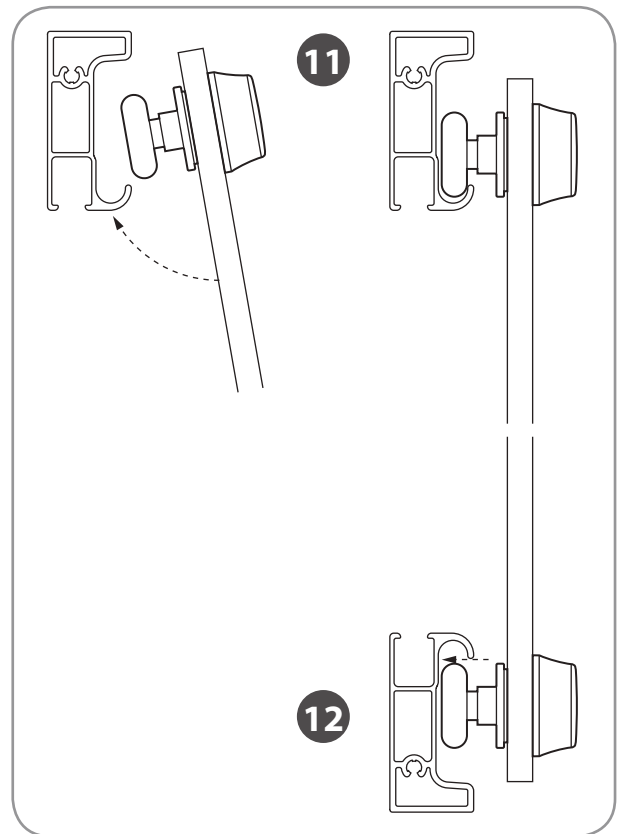
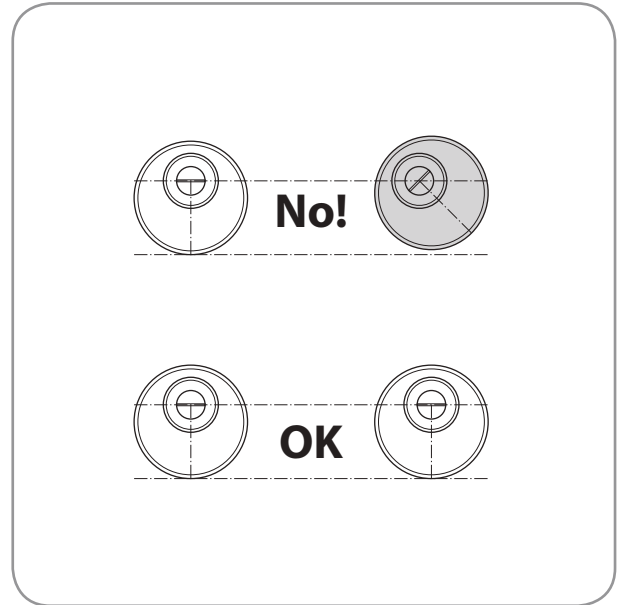
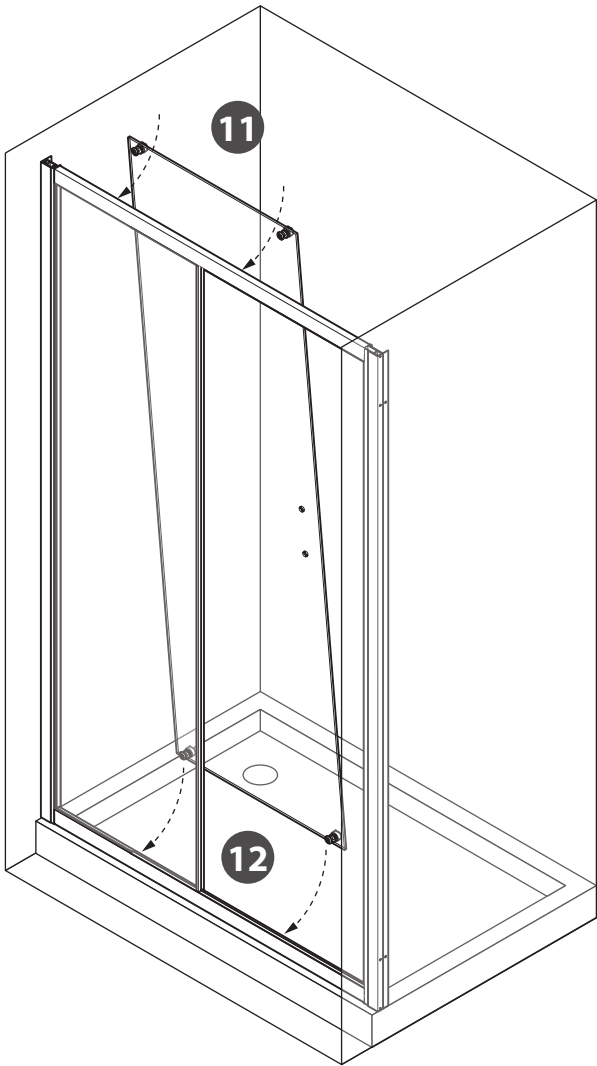


- Q** 
- M** 
- C2**  3,5X45 mm x2

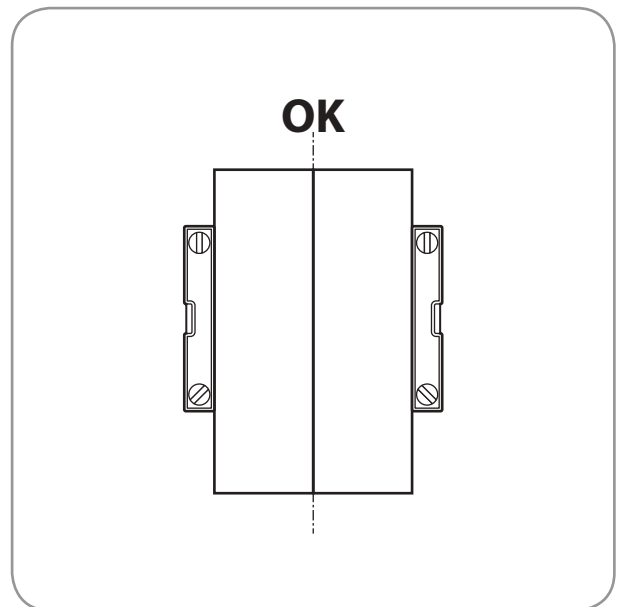
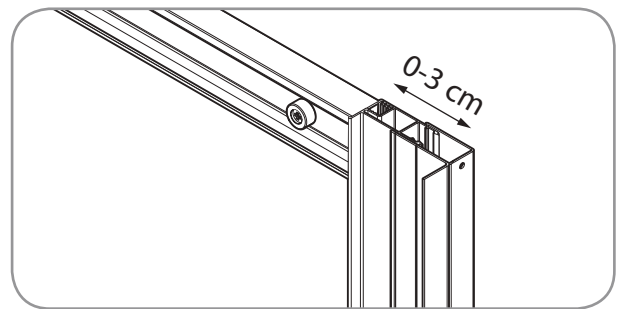
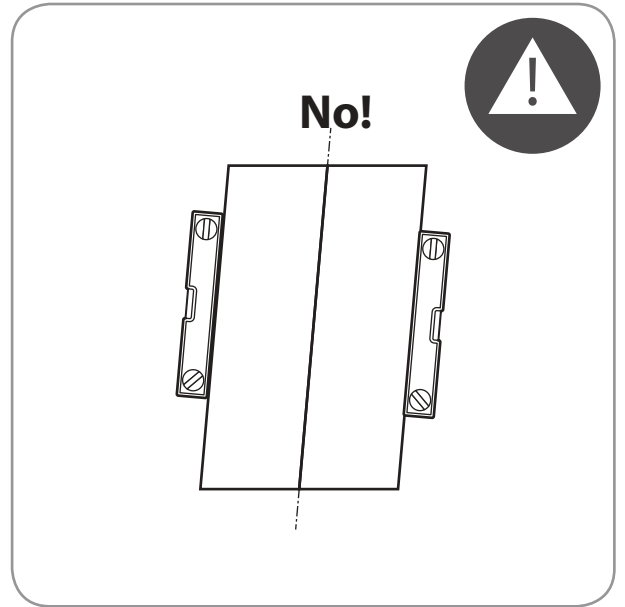
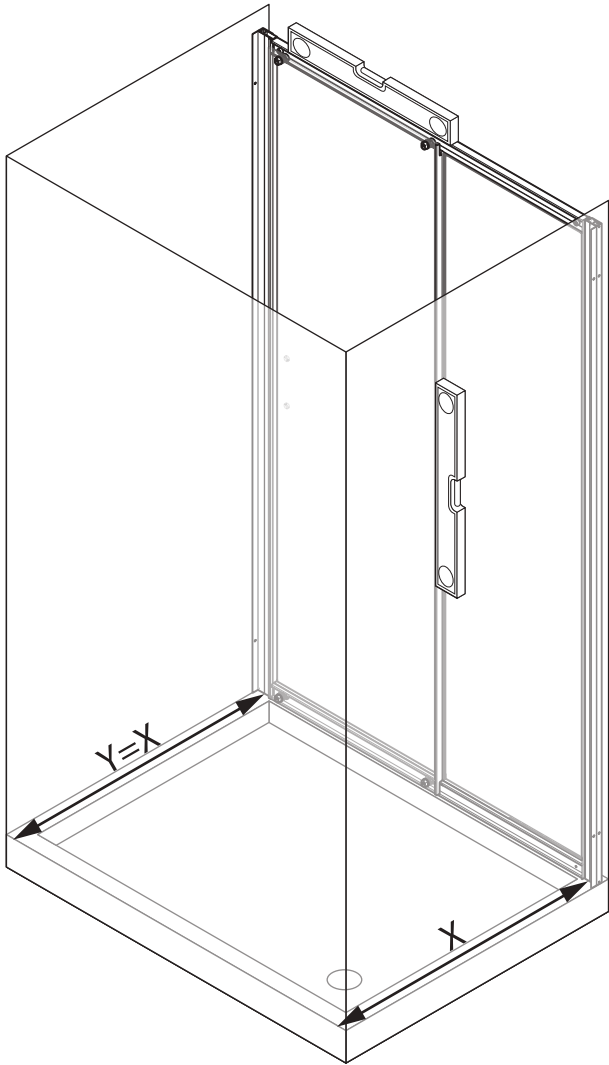


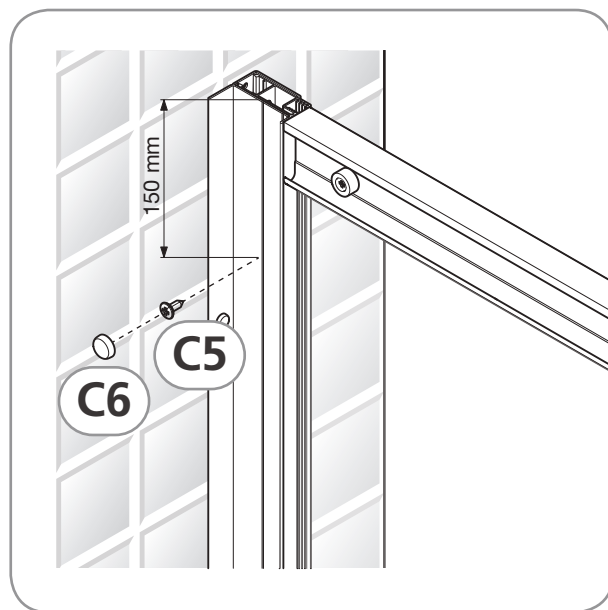
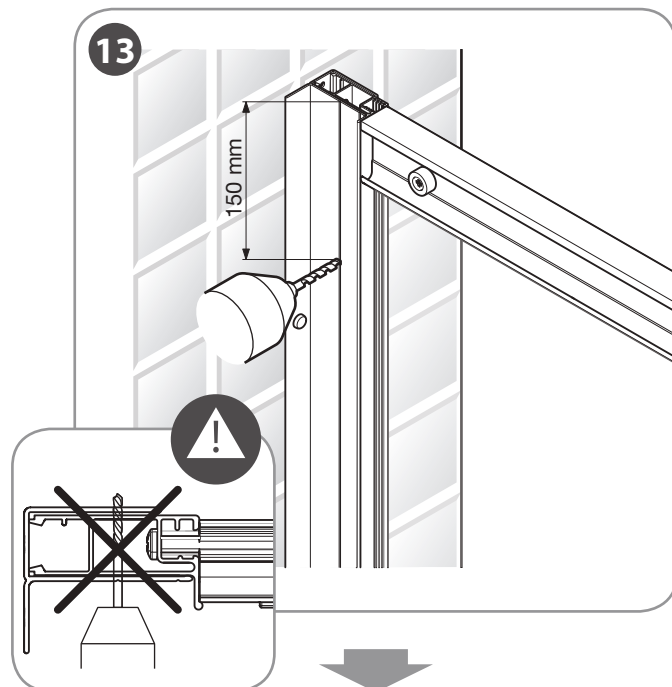
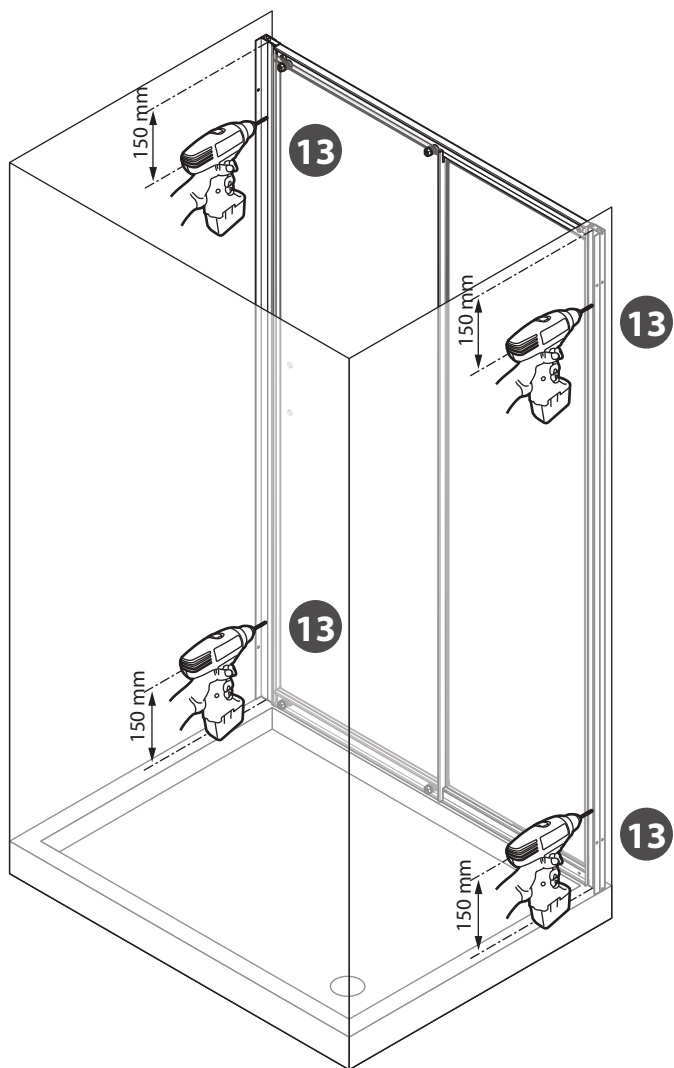




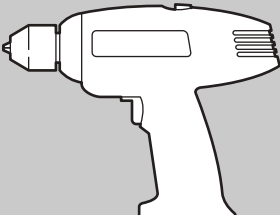



- C1**  x2
- C2**  x2
4X35 mm
- C6**  x2

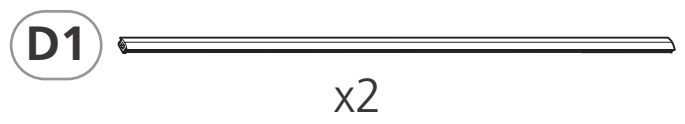
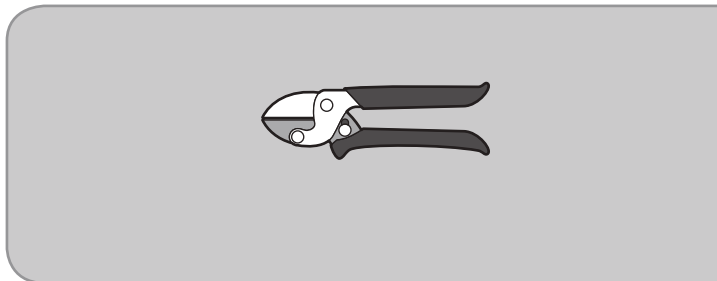
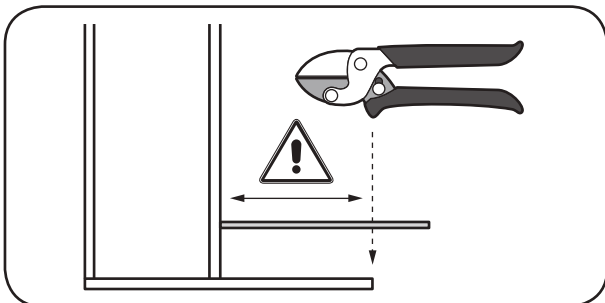
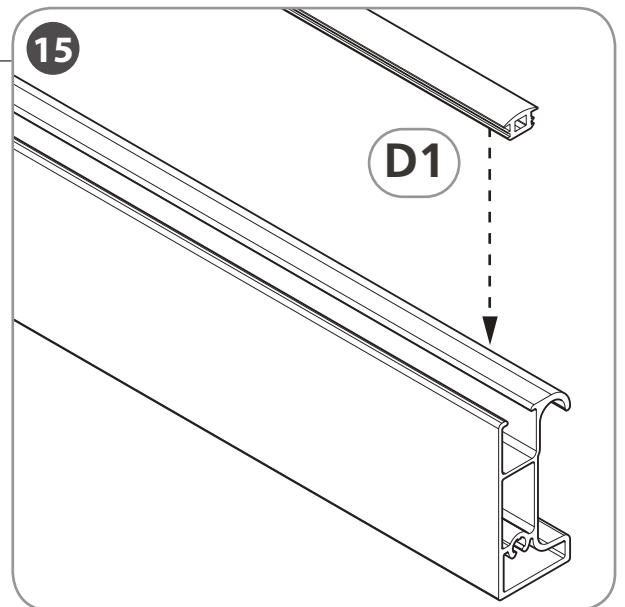
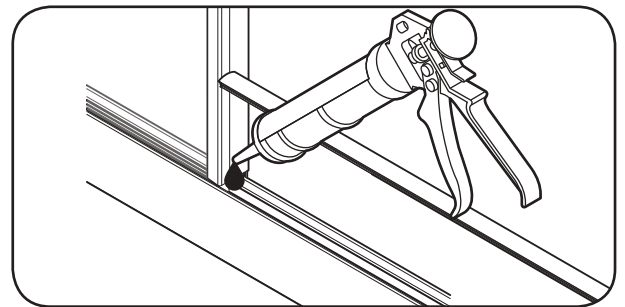
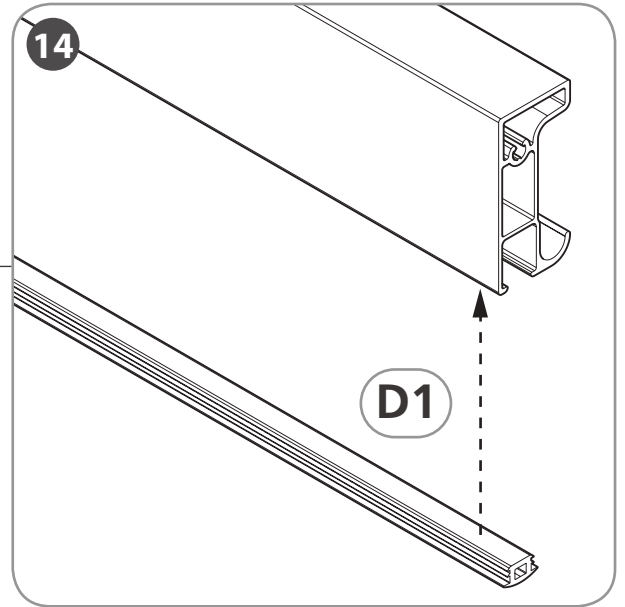
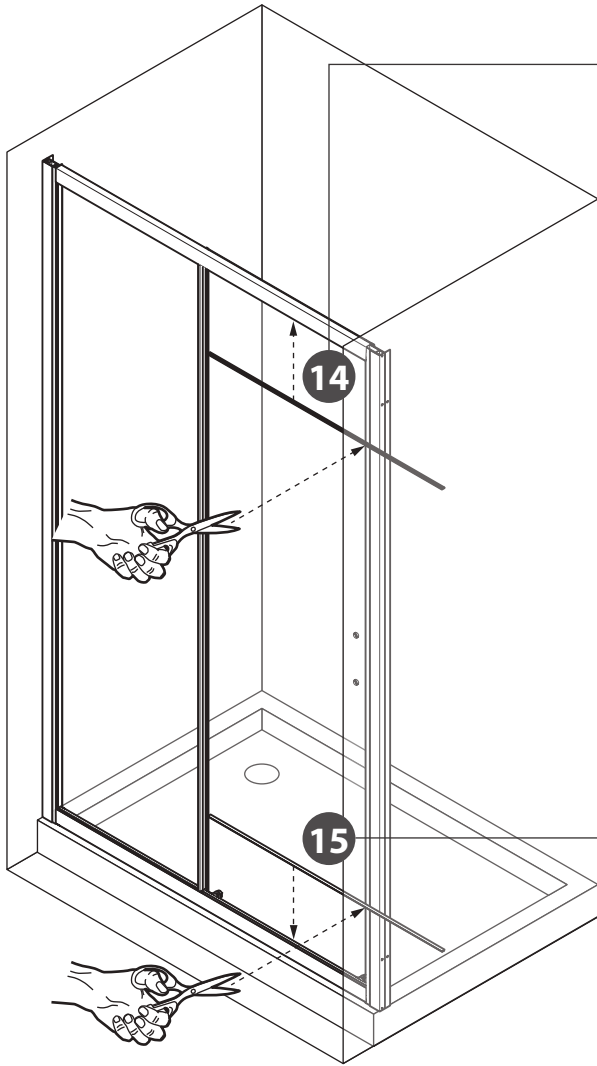


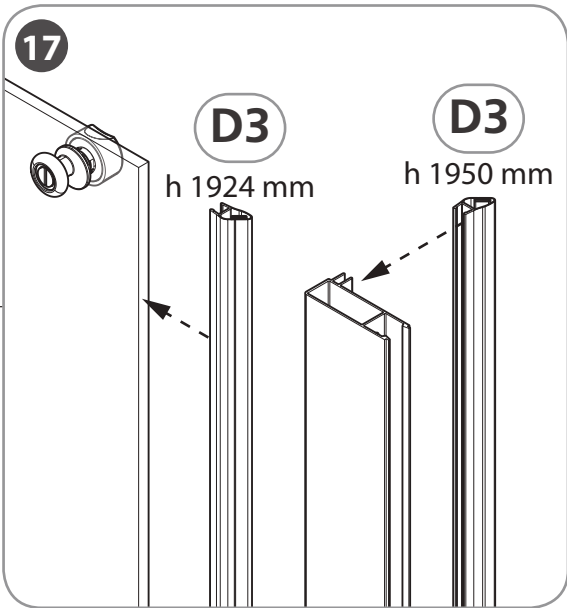
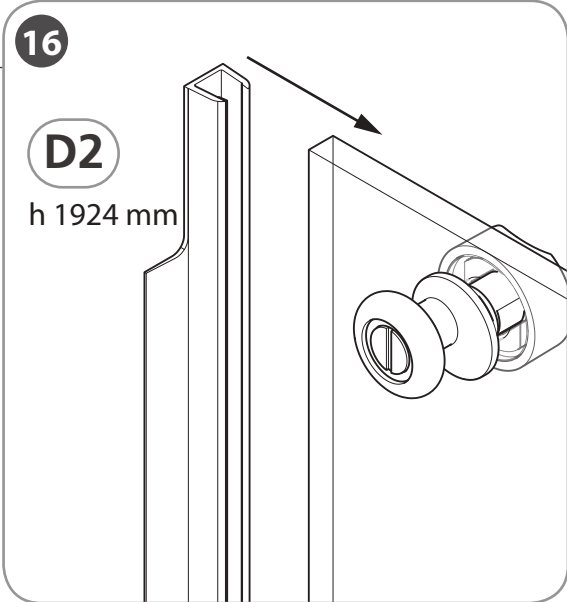
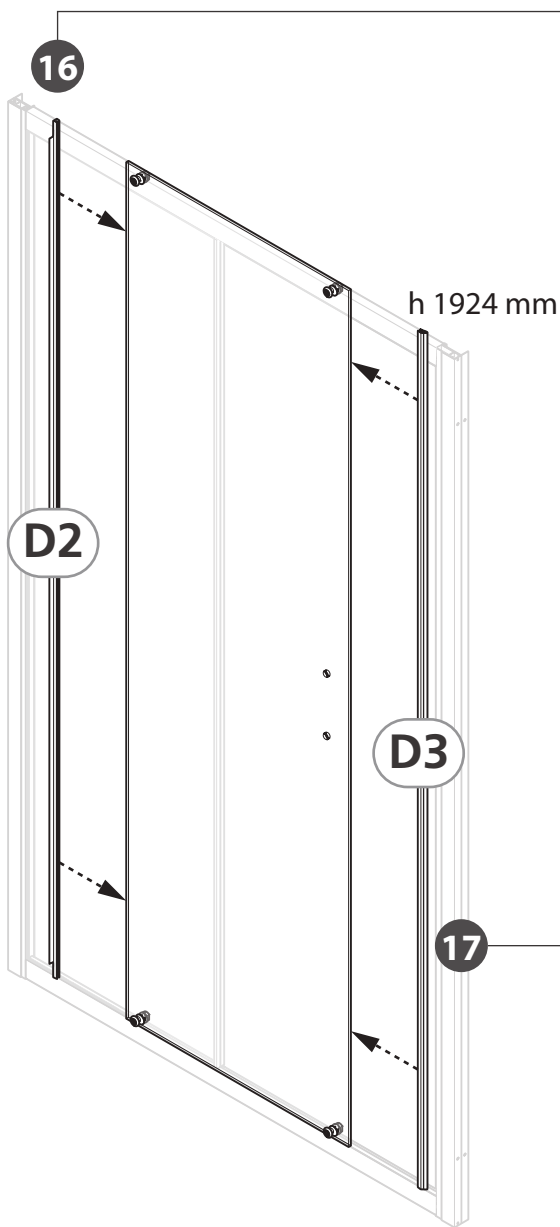
9





				
			3,5x9,5 mm	
			x4	x4





D2

h 1924 mm



D3

h 1950 mm h 1924 mm

