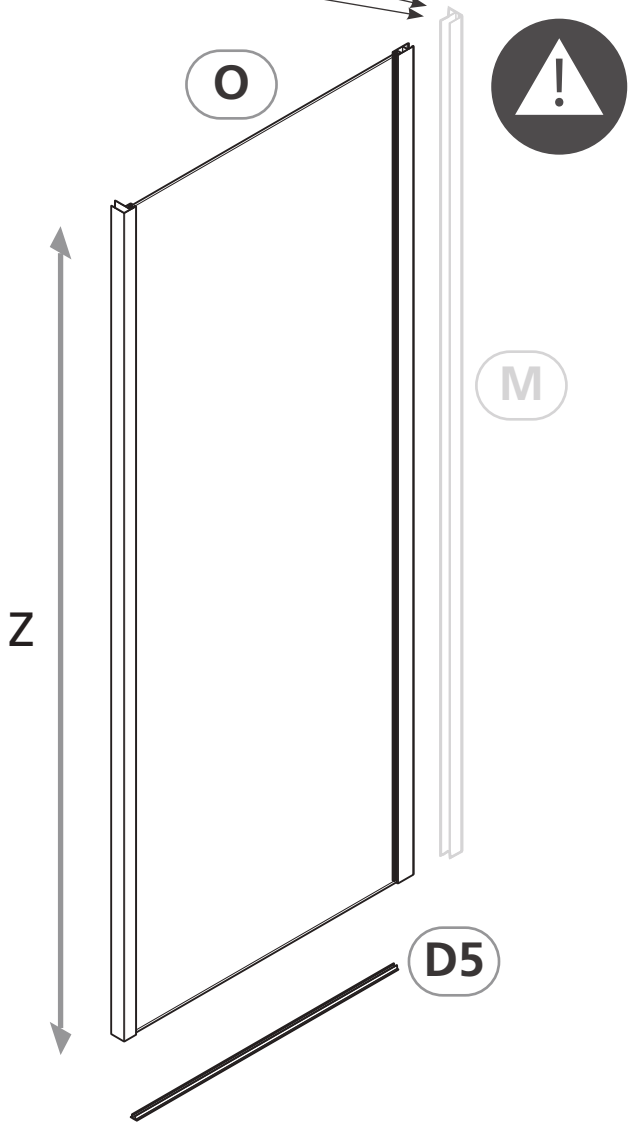
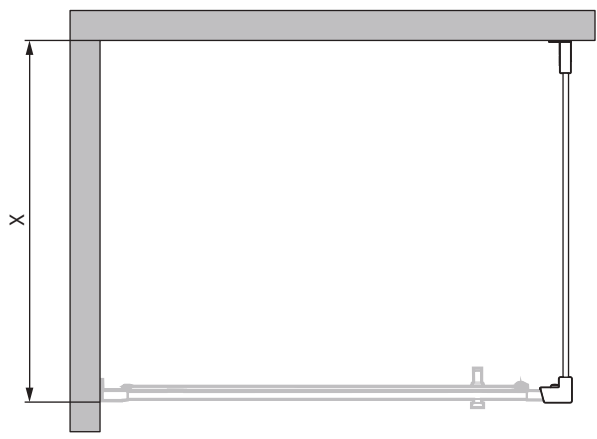
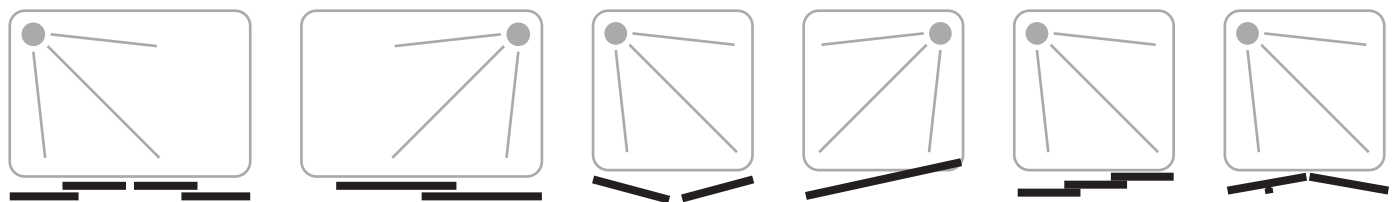
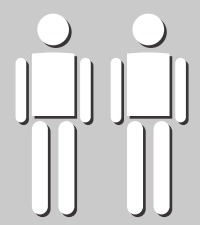
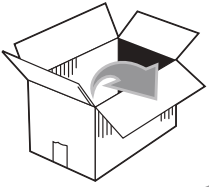


<hr/> <hr/> <hr/> <hr/>	<hr/> <hr/> <hr/> <hr/>
-------------------------	-------------------------

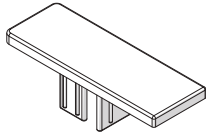


F68	X=68-71 cm	Z=195 cm
F73	X=73-76 cm	Z=195 cm
F78	X=78-81 cm	Z=195 cm
F83	X=83-86 cm	Z=195 cm
F88	X=88-91 cm	Z=195 cm
F93	X=93-96 cm	Z=195 cm
F98	X=98-101 cm	Z=195 cm
F118	X=118-121 cm	Z=195 cm

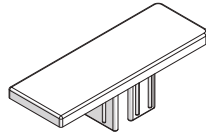




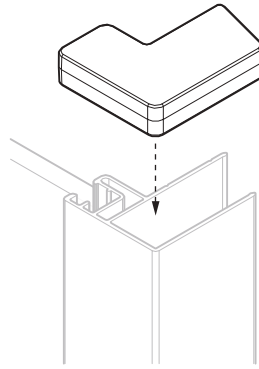
B2



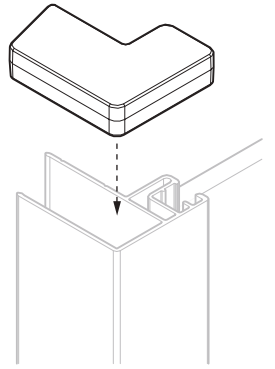
B3



B4



B5



C5



3,5x9,5 mm

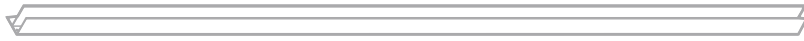
x2

C6



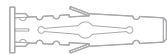
x4

M



C1

x2

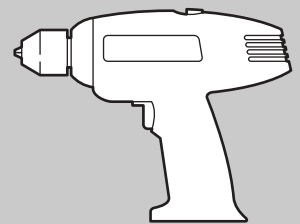
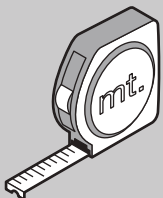
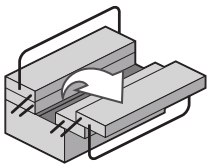


C2

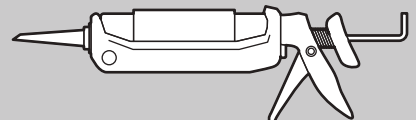
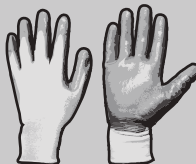
x2



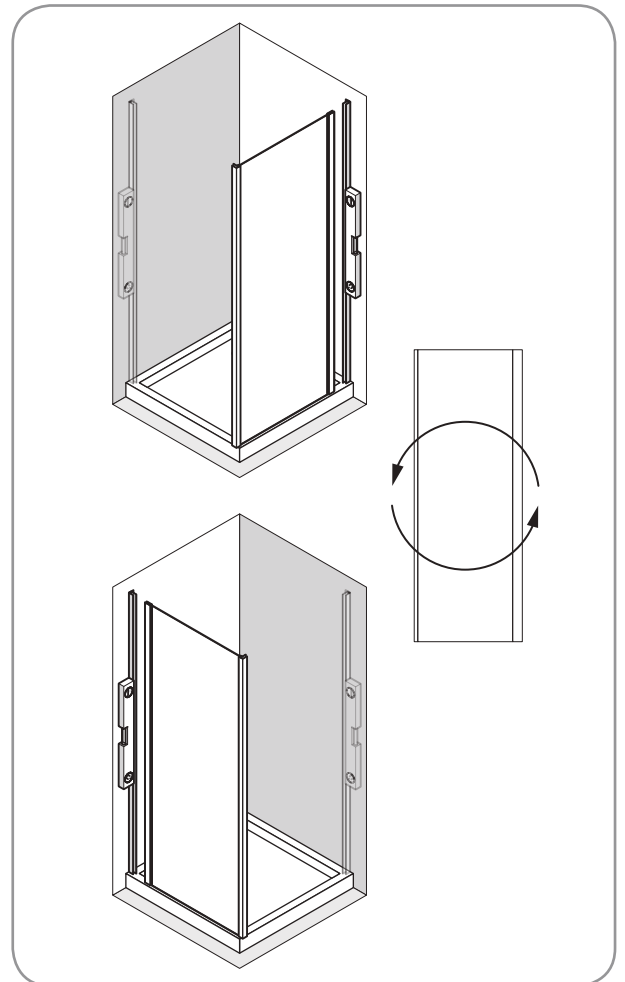
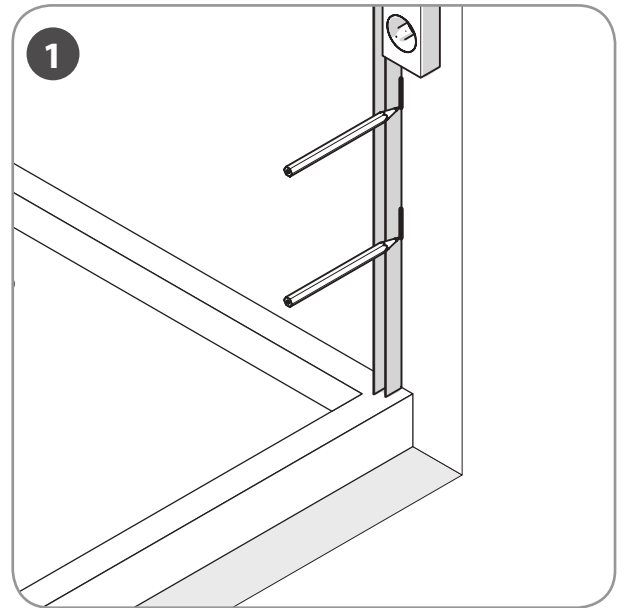
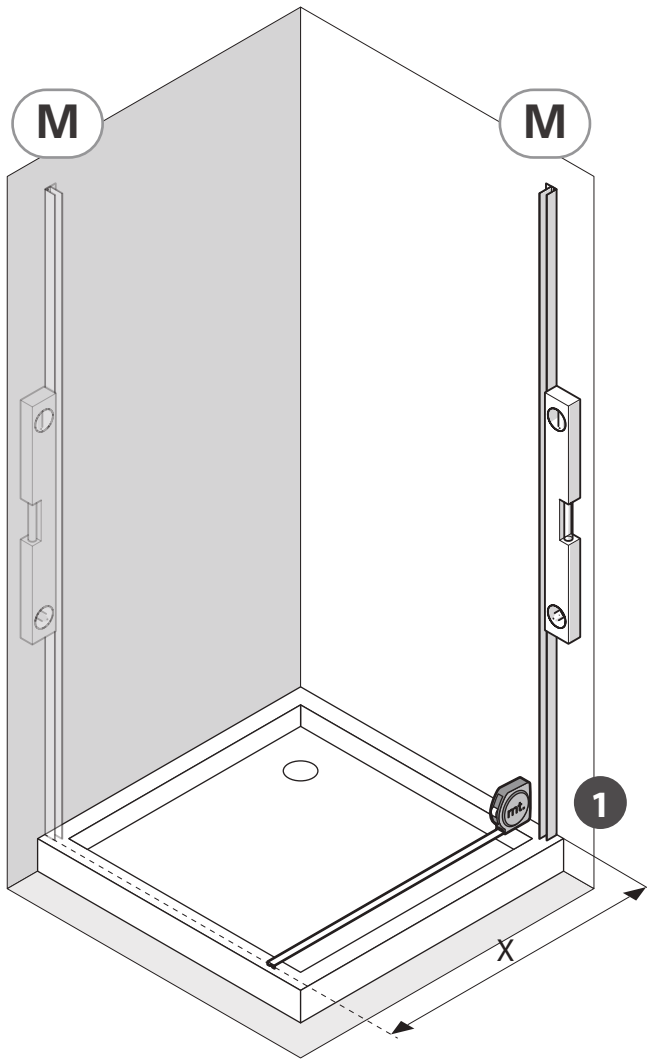
4X35 mm



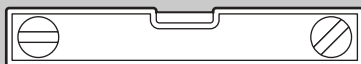
ø6 mm



1



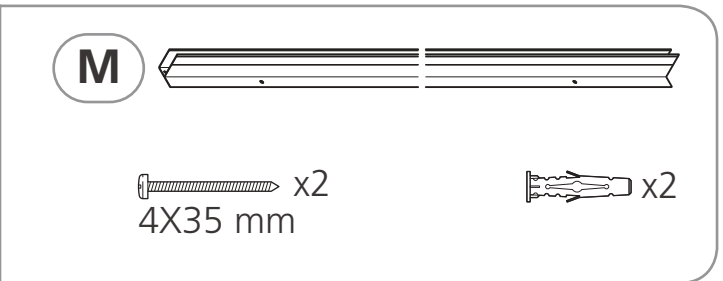
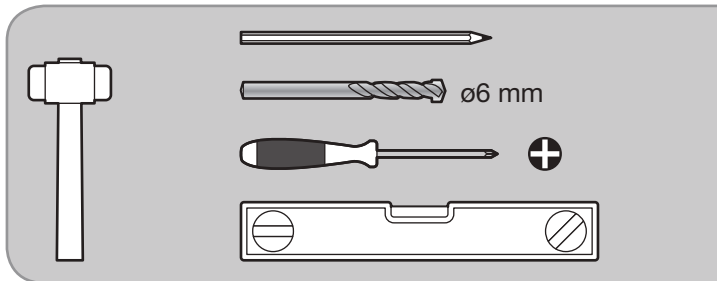
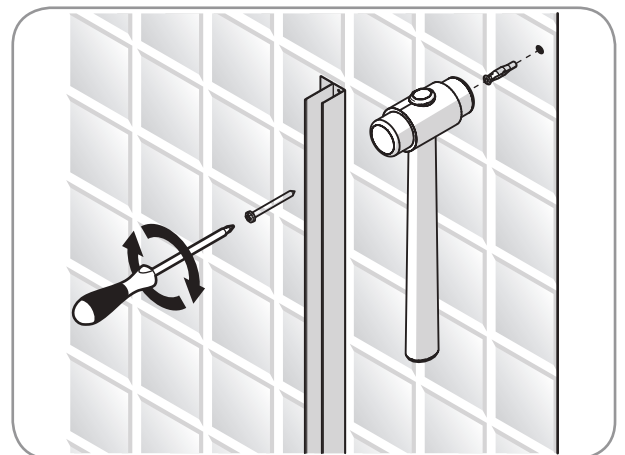
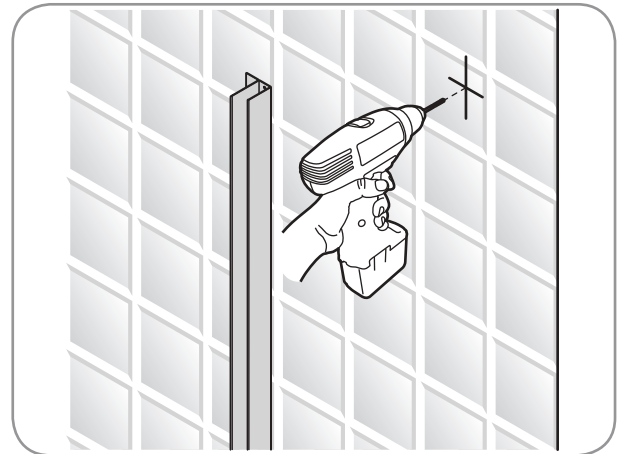
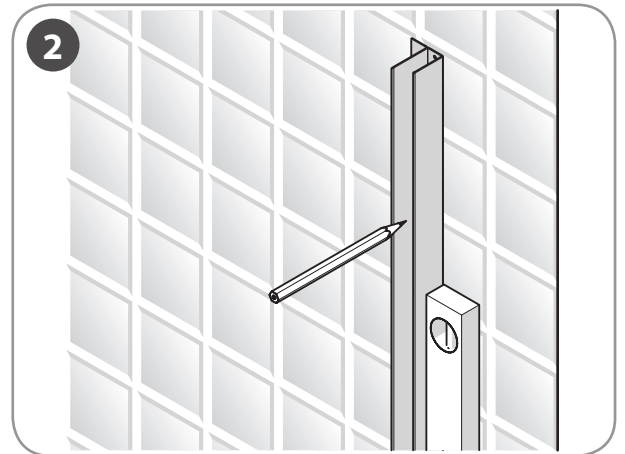
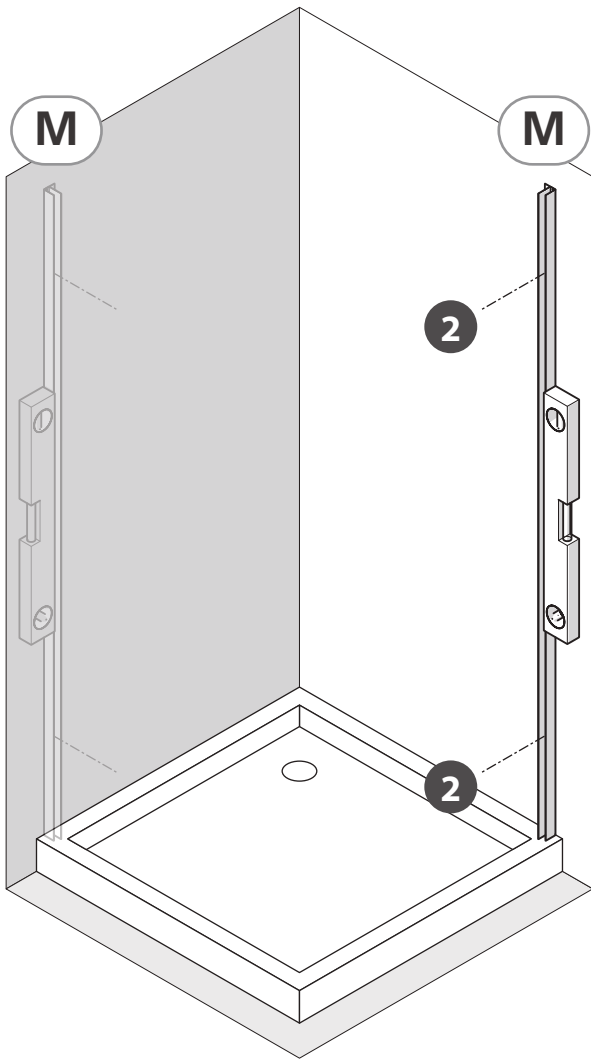
F68	X=68-71 cm
F73	X=73-76 cm
F78	X=78-81 cm
F83	X=83-86 cm
F88	X=88-91 cm
F93	X=93-96 cm
F98	X=98-101 cm
F118	X=118-121 cm



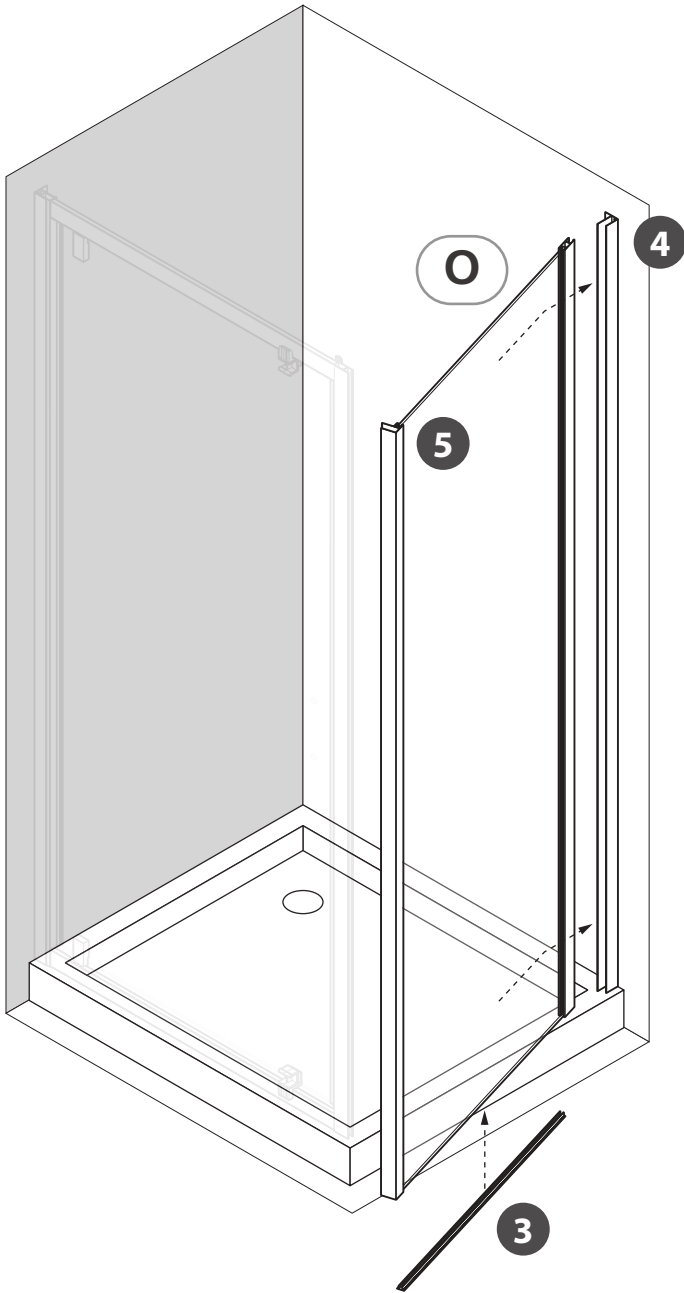
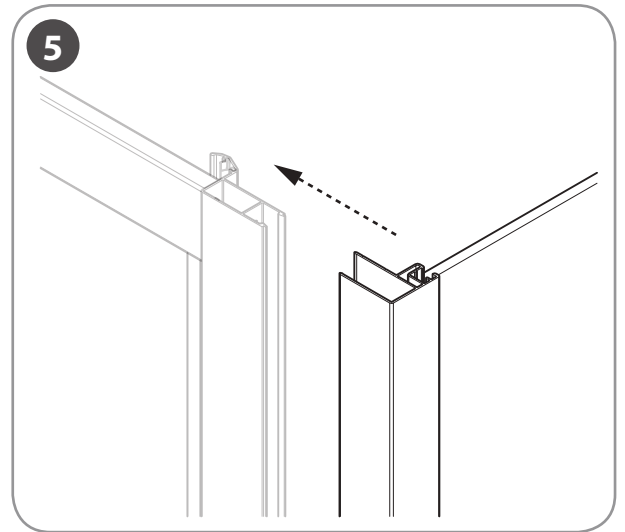
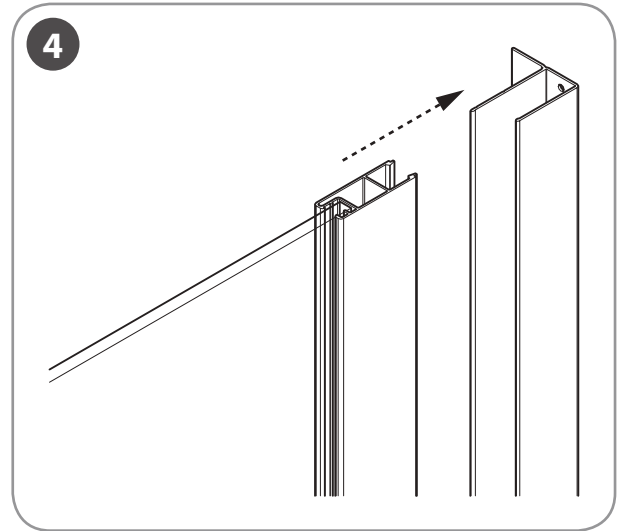
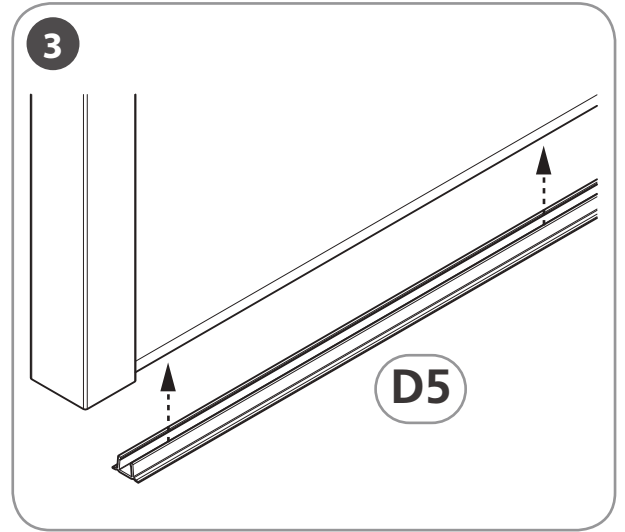
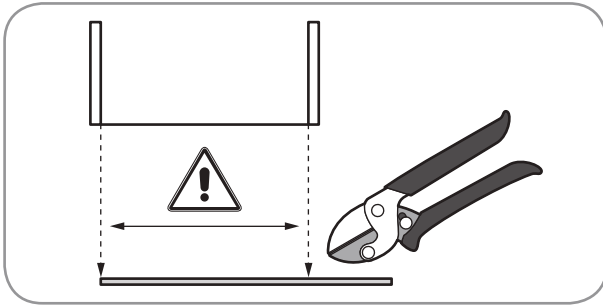
M



x2

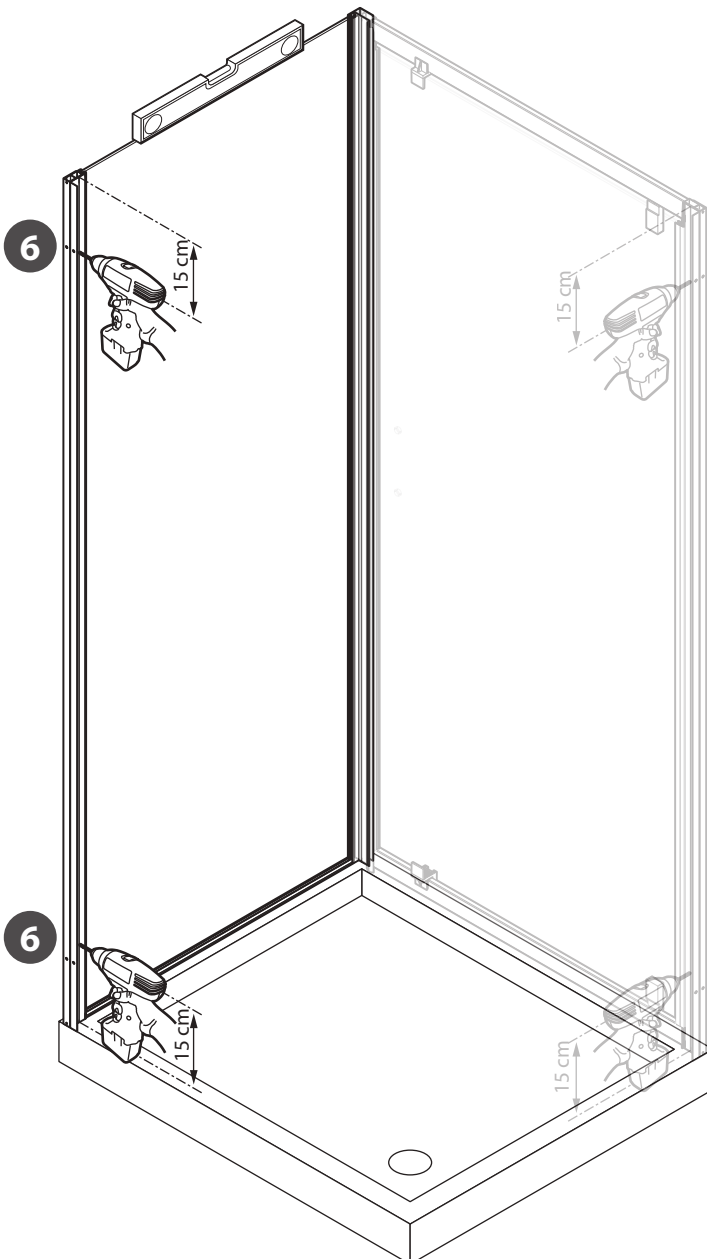
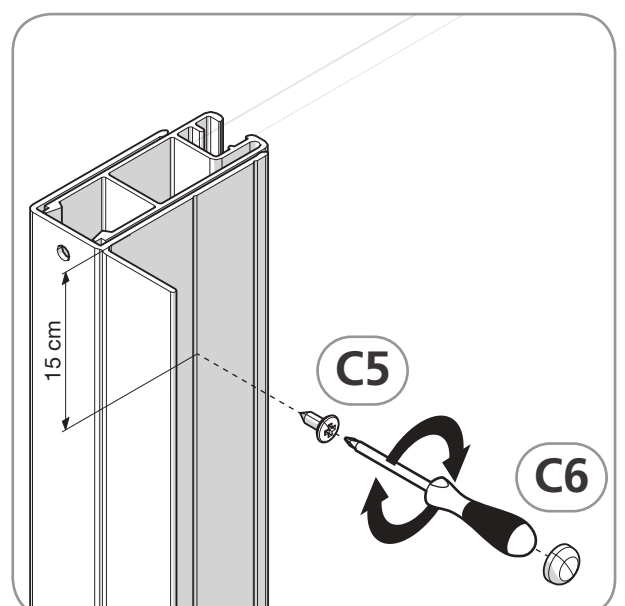
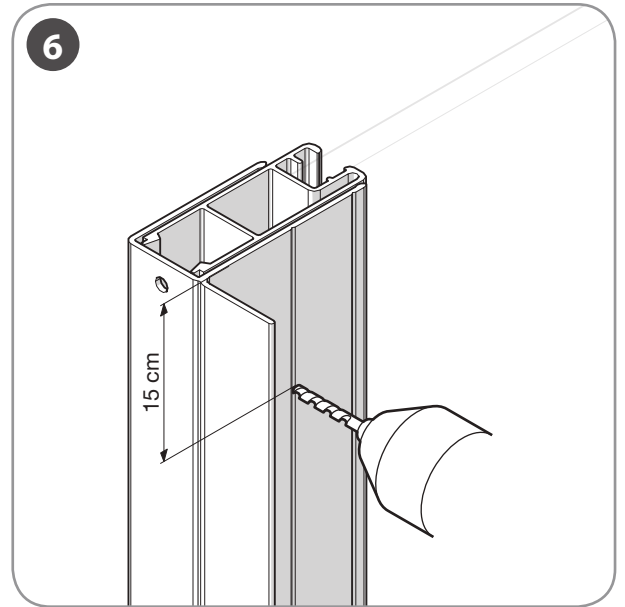
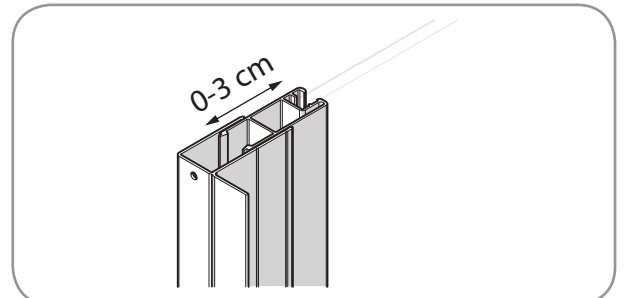
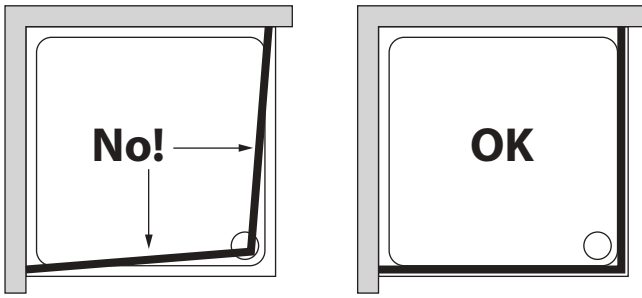


3



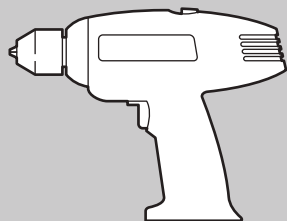
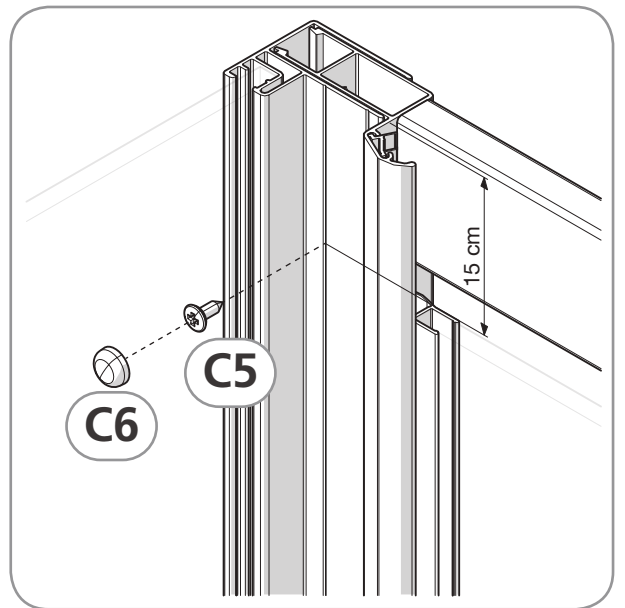
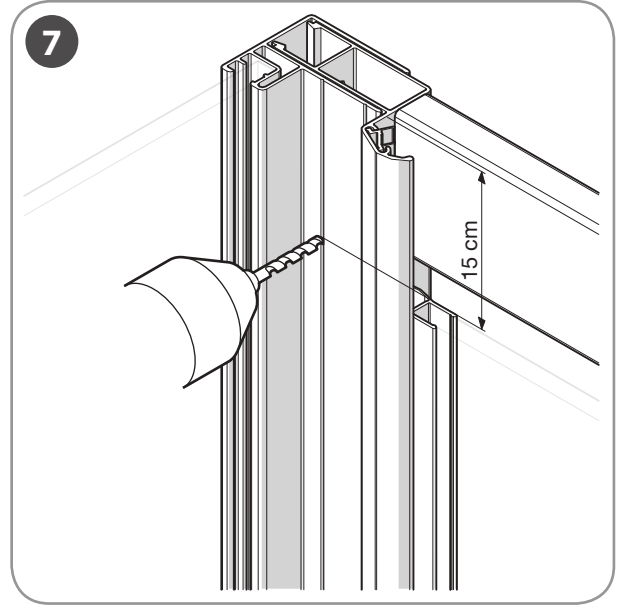
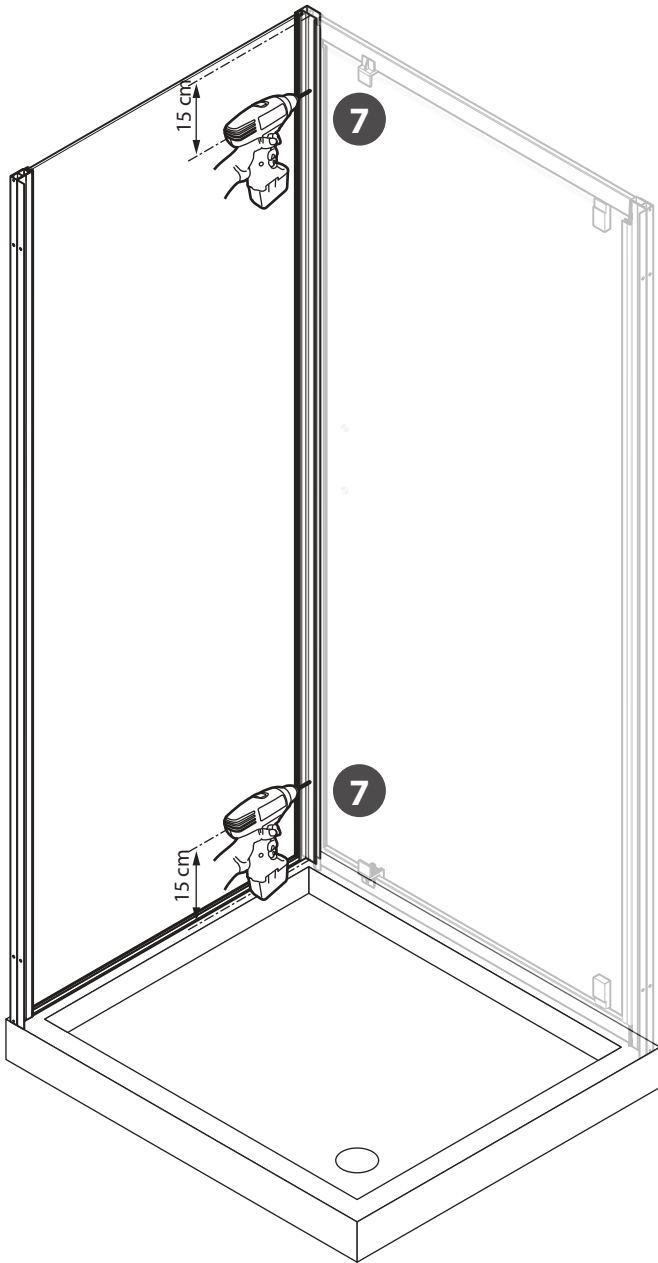
D5





	+		C5		C6	
	ø3 mm		3,5x9,5 mm			
			x2			x2

5



ø3 mm

C5

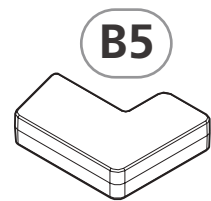
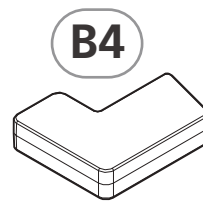
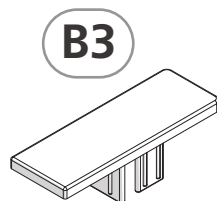
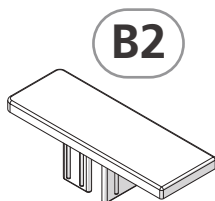
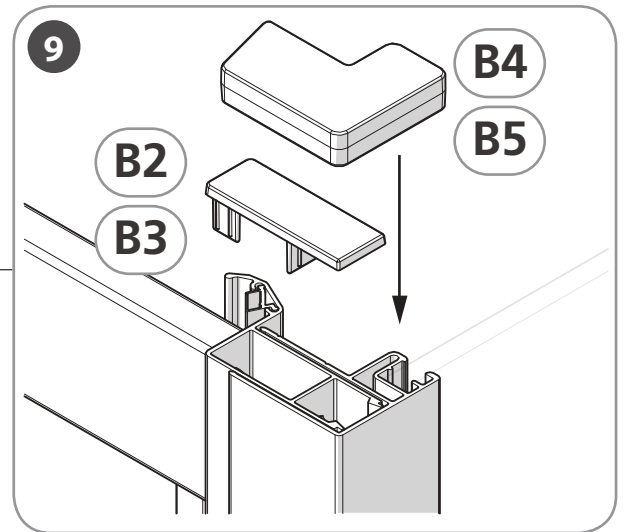
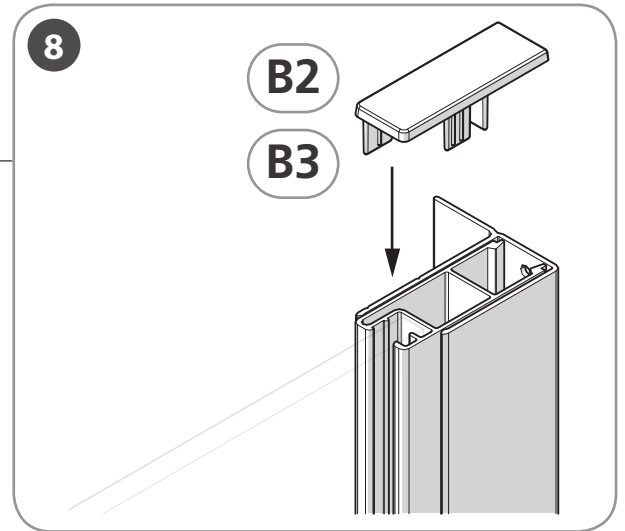
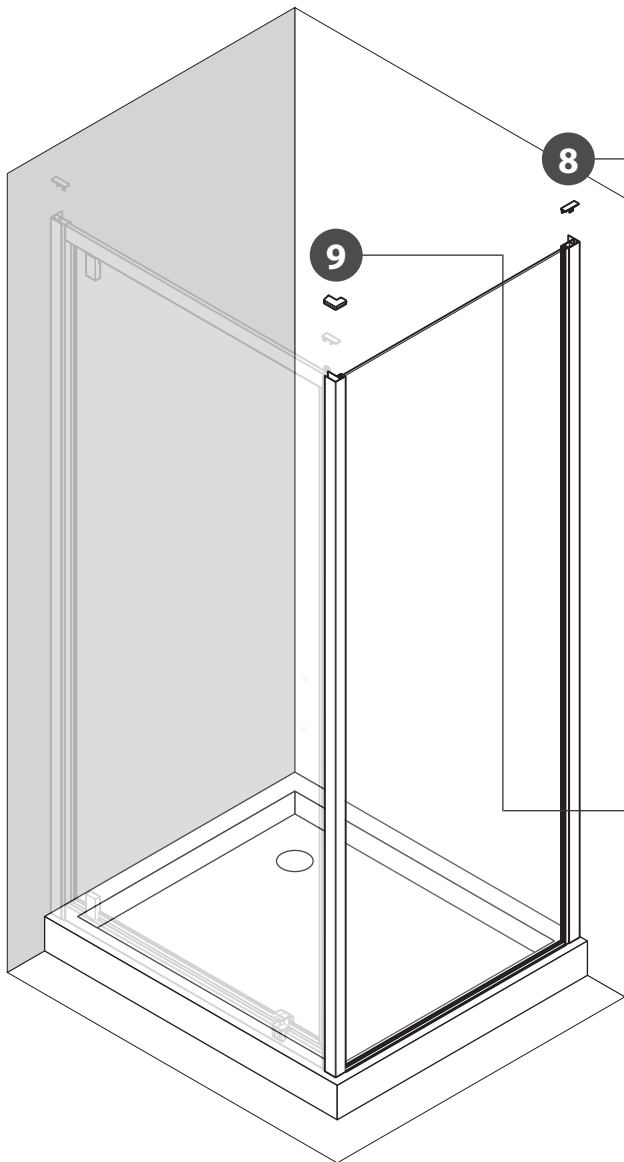


3,5x9,5 mm
x2

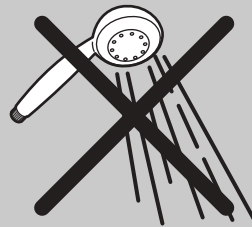
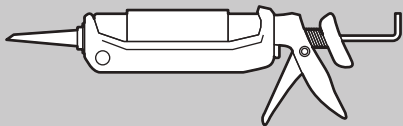
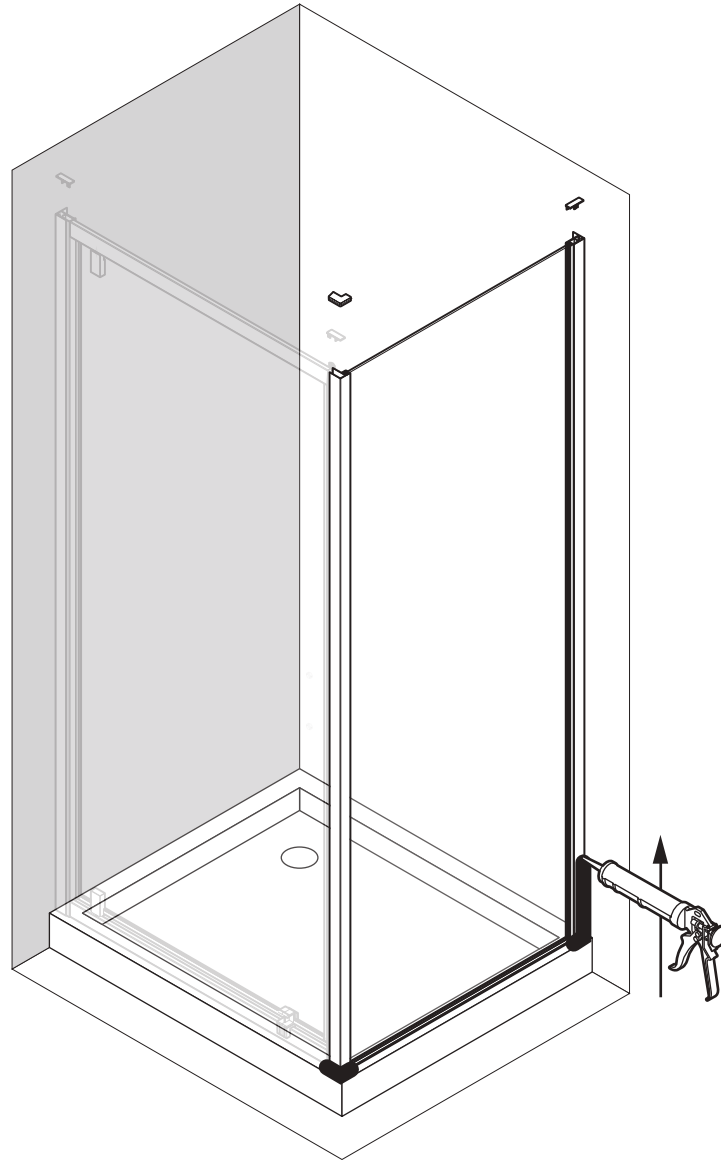
C6



x2



7



Note:

- F68
- F73
- F78
- F83
- F88
- F93
- F98
- F118

