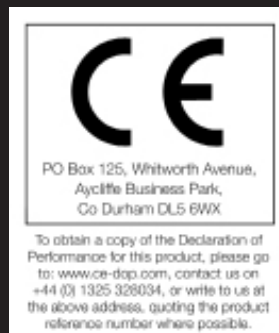


Sliding Door & Side Panel Instruction Manual

N2T + N2GL



IMPORTANT INFORMATION

Be aware toughened glass can shatter if not handled correctly. It should not be subjected to any sharp impact and it is essential to protect the glass by resting it on a soft protective surface during installation such as cardboard or carpeting. It is recommended to wear PPE at all times during installation.



PRE-INSTALLATION CHECKS

1. Check you have the correct product. Please look at the labels on the side of the product packaging.
2. Check all the product components are in the box and the fixing kits.
3. Unpack your product and handle it with care.
4. Please check the product for defects or damage, once the installation has commenced we cannot accept responsibility for any defects or damage.
5. Please take time to read these instructions prior to installing your product.
6. Before you commence any drilling check there are no hidden electrical cables and/or water pipes.
7. No attempt should be made to re-work the toughened safety glass.
8. The installation of the product should be performed by two persons.
9. It is strongly recommended that the walls the product is going to be installed on are vertical.
10. It is strongly recommended the product is fitted on a tiled surface or similar waterproof surface.
11. It is strongly recommended the walls are tiled and grouted before the product is installed.
12. If the walls and/or the tray are not level you will not achieve maximum adjustment of the product.
13. Pictures used are for illustration purposes only, product designs may alter slightly as a result of continuing product development.
14. We do not stipulate where the European Standard Kite Mark should be positioned on the glass when being factory assembled.
15. Please note that some natural misting may occur when you remove this product from its packaging, due to the addition of the glass protection pre-coating. If this does occur this can easily be removed with a soft, dry cloth.

Component Check List: Supplied

Description	Quantity
Wall Profiles	2
Horizontal Rails	2
Vertical Main Frame	1
Bearing Assemblies (2 Top + 2 Bottom)	4 (Total)
Door Stops	4
Door Glass	1
Door Handle Assembly	1
Door Panel Assembly	1
Side Panel Assembly	1
Glass Clamps (1 Left + 1 Right Hand)	2 (Total)
Frame Flipper Seal	1
Door Flipper Seal	1
Door Panel Flipper Seal	1
Horizontal Rail Panel Seals	2
Cover Plates	3
Profile Cover Plate	2

Fixing Kit Components

Description	Quantity
2.5mm Drill Bit	1
40mm Screws & Wall Plugs	6 of Each
Frame Fixing Screws (Pre-Fitted in Rails)	8
9mm screws	15
Branding Badge	1
LH & RH Top Cap	2 of Each
Miniature Top Caps	2
Corner Post Top Cap	1

Equipment Check List: Not Supplied

Description
Electric / Battery Drill
6mm Masonry Drill Bit
Silicone Sealant Gun
Bathroom Sealant
Screwdriver
Spirit Level
Tape Measure
Pencil
Stanley Knife / Snips

CONSUMER GUARANTEE

Please make sure the purchaser/end user completes and returns the guarantee card which is enclosed with this product. Failure to validate the Guarantee will mean only the 1 Year Statutory Guarantee will apply.

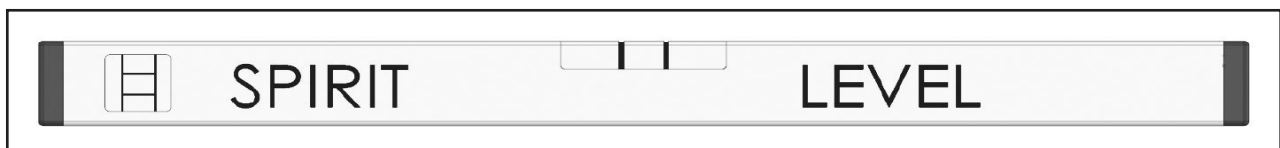
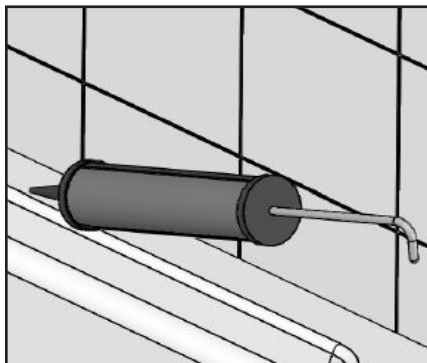
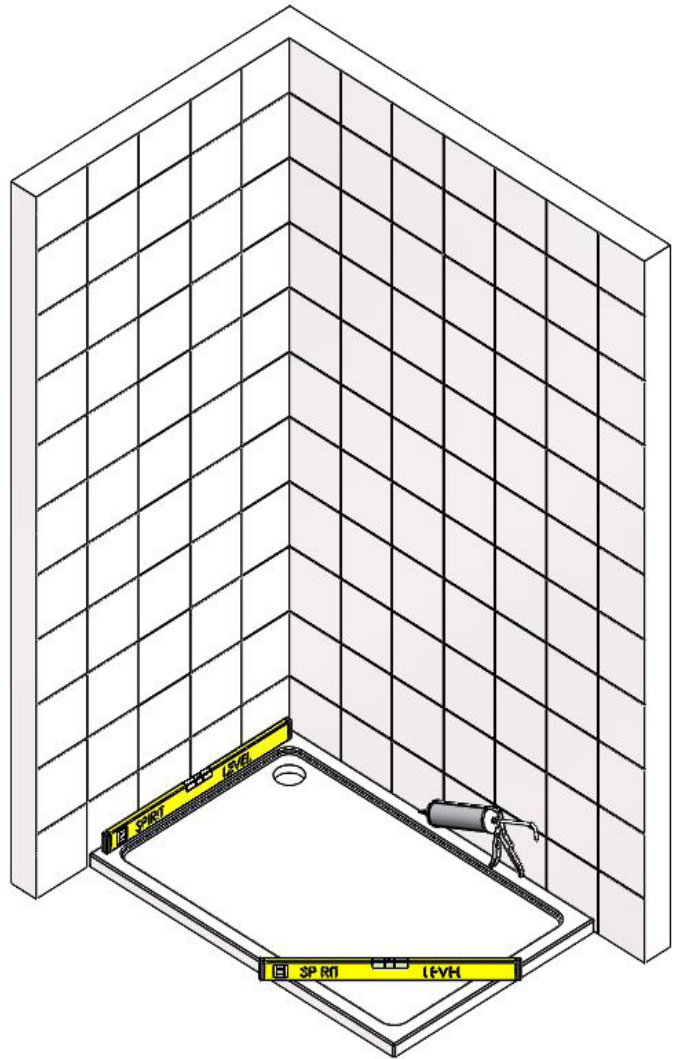
Step 1 - Pre-Installation Checks and Tray Sizes

Enclosure Code (Door)	(Minimum) Tray	(Maximum) Tray
N2T1213	1170	1190
N2T1413	1370	1390
N2T1513	1470	1490
N2T1713	1670	1690

IMPORTANT: The above are finished tiled sizes

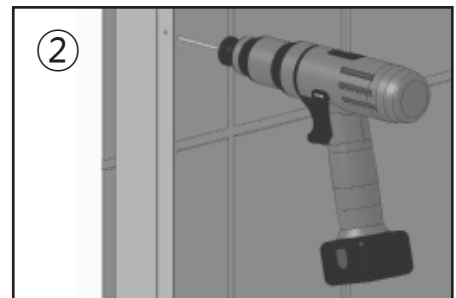
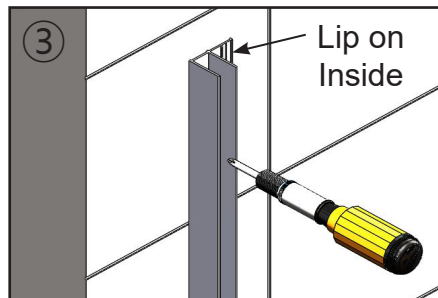
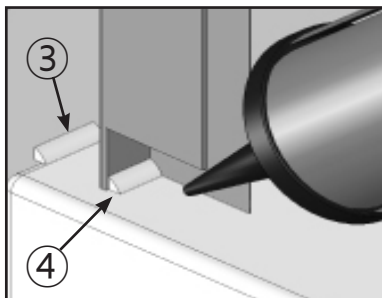
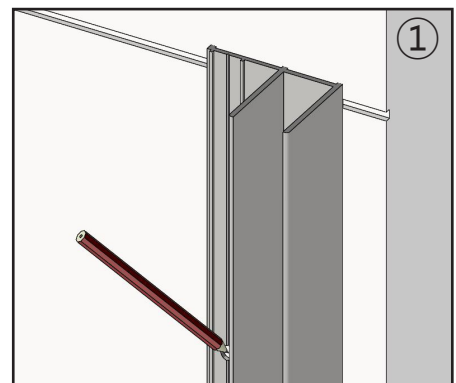
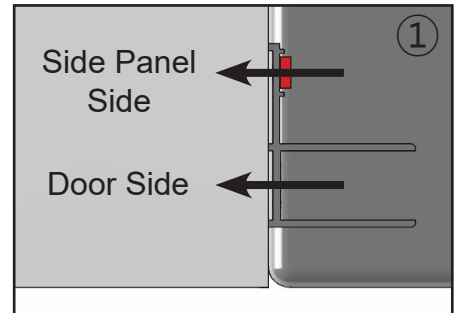
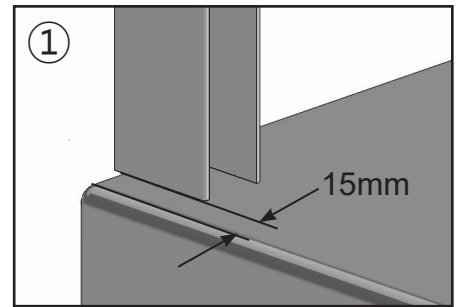
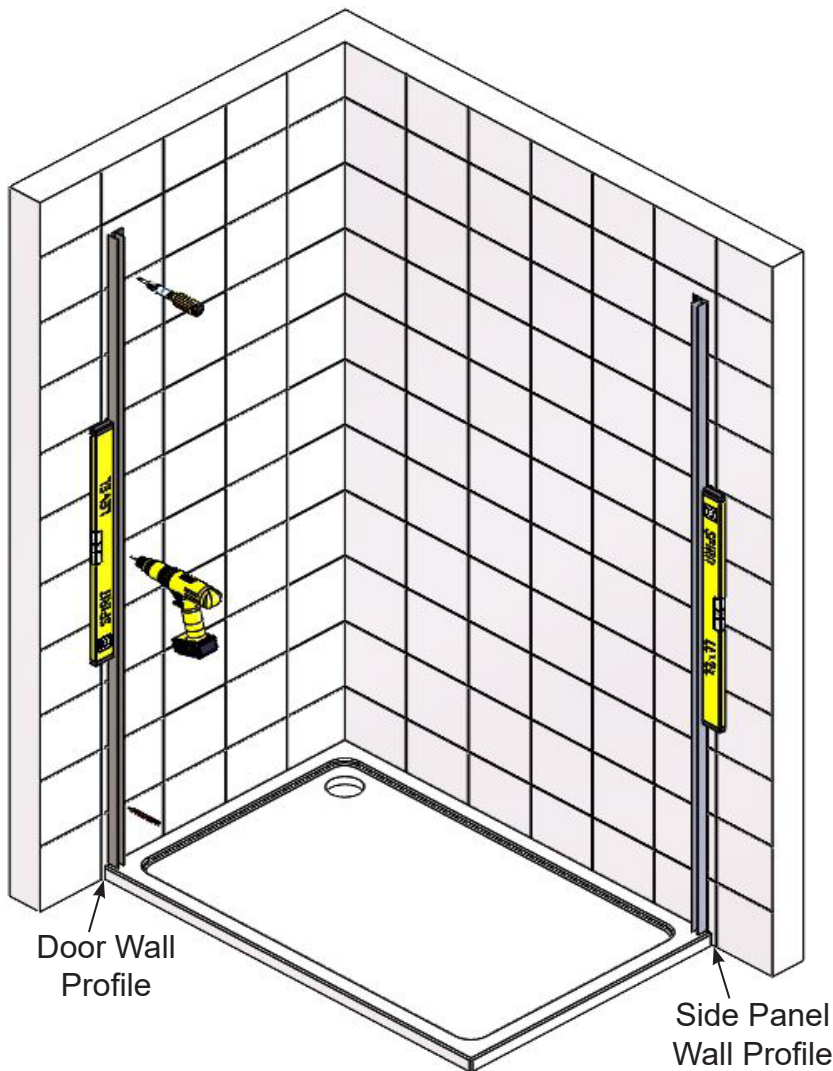
Enclosure Code (Panel)	(Minimum) Tray	(Maximum) Tray
N2GL813	755	775
N2GL913	855	875

IMPORTANT: The above are finished tiled sizes



1. Check the tray is level on all sides (the bubble on the spirit level must be in the centre of the 2 lines).
2. Stand in the tray and check that there is no adverse movement (correct if necessary).
3. The walls should be tiled and grouted up to the tray.
4. The tiles and the tray should be sealed using a good quality bathroom sealant.
 - **Spray the seal and joints with the shower head and check for leaks when the silicon has cured.**
 - **Check the plumbing for leaks.**
 - **DO NOT plasterboard over the tray.**
 - **DO NOT grout the tiles when the enclosure has been fitted, the grout may discolour the aluminium profiles.**
 - **Make sure the tray is installed as per the manufacturer's instructions.**
 - **When all of the above has been completed please proceed to the Step 2.**

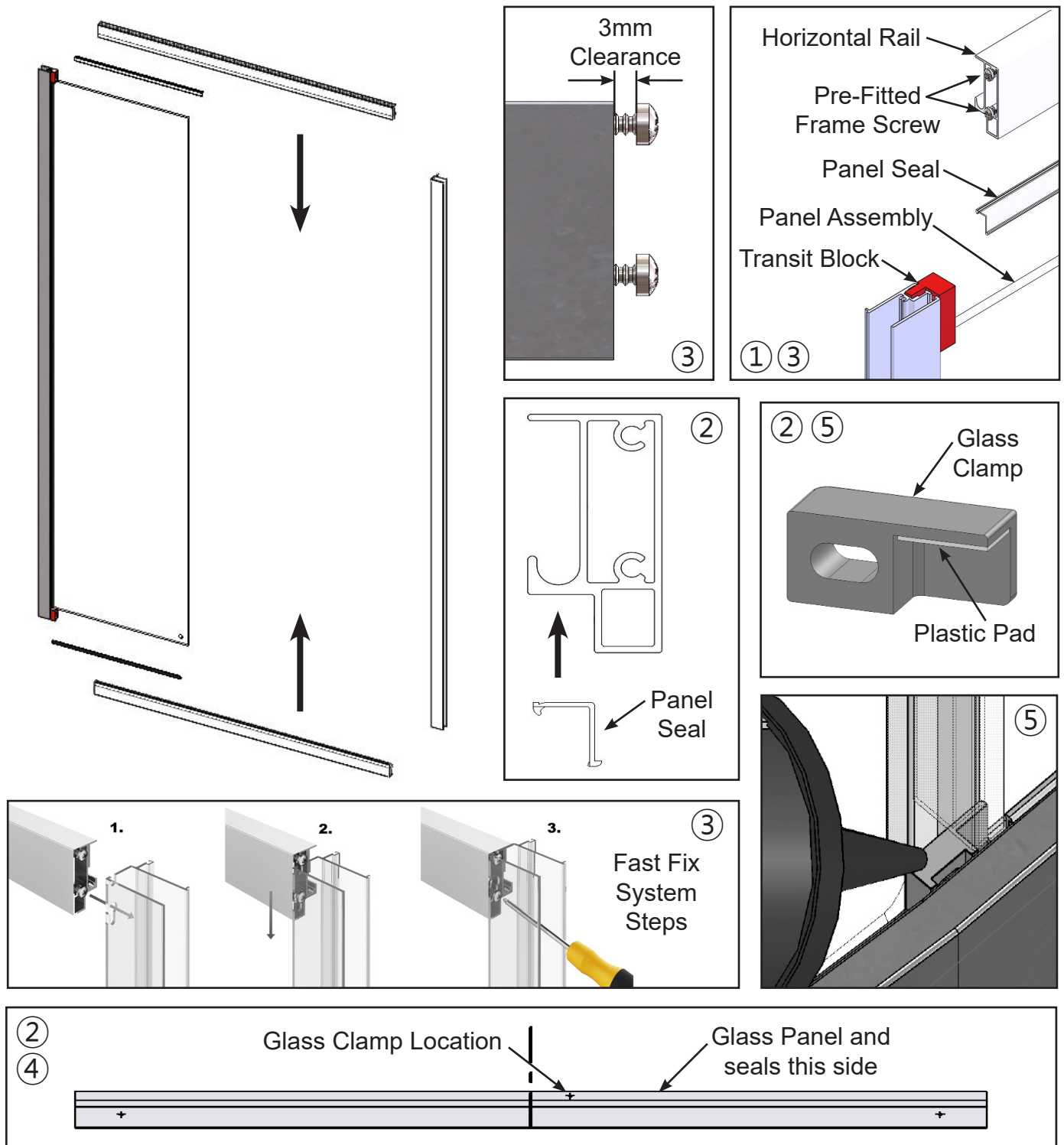
Step 2 - Wall Profile Positioning & Fixing Door Wall Profile



1. Set both wall profile 15mm in from the outside of the tray making sure the lip section is on the inside, facing the shower area. Make sure the wall profiles are completely vertical using a spirit level and with a pencil mark the wall through the centre slots on the door side and through the lip holes on the side panel side.
2. Drill the wall with a 6mm masonry drill bit (not supplied) where the wall profiles are to be positioned. Fit the wall plugs supplied (if going in to a brick or block wall). If going into a plasterboard wall you will need to purchase appropriate wall fixings. Wipe clear all debris from the tray before referring to the next stage.
3. On the door side of the tray, place a bead of bathroom sealant (not supplied) the width of the wall profile between the tiled wall and tray. Using the 40mm screws (supplied), secure the wall profile to the wall. Do not over tighten the screws into the wall profile as this will misshape the wall profile. Ensure the Wall profile stays completely vertical throughout this procedure using a spirit level.
 - **NOTE: Only one wall profile is fitted at this time, the other wall profile is fitted later.**
 - **No sealant to be present between the wall profiles and the tiled walls vertically prior to screw fixing.**
4. Seal the gap on the inside between the tray and wall profile with a bathroom sealant (not supplied).
 - **Failure to carry out stages 3 & 4 correctly can result in serious water damage and is not covered by the Guarantee.**

Step 3 - Assembling the Door Frame

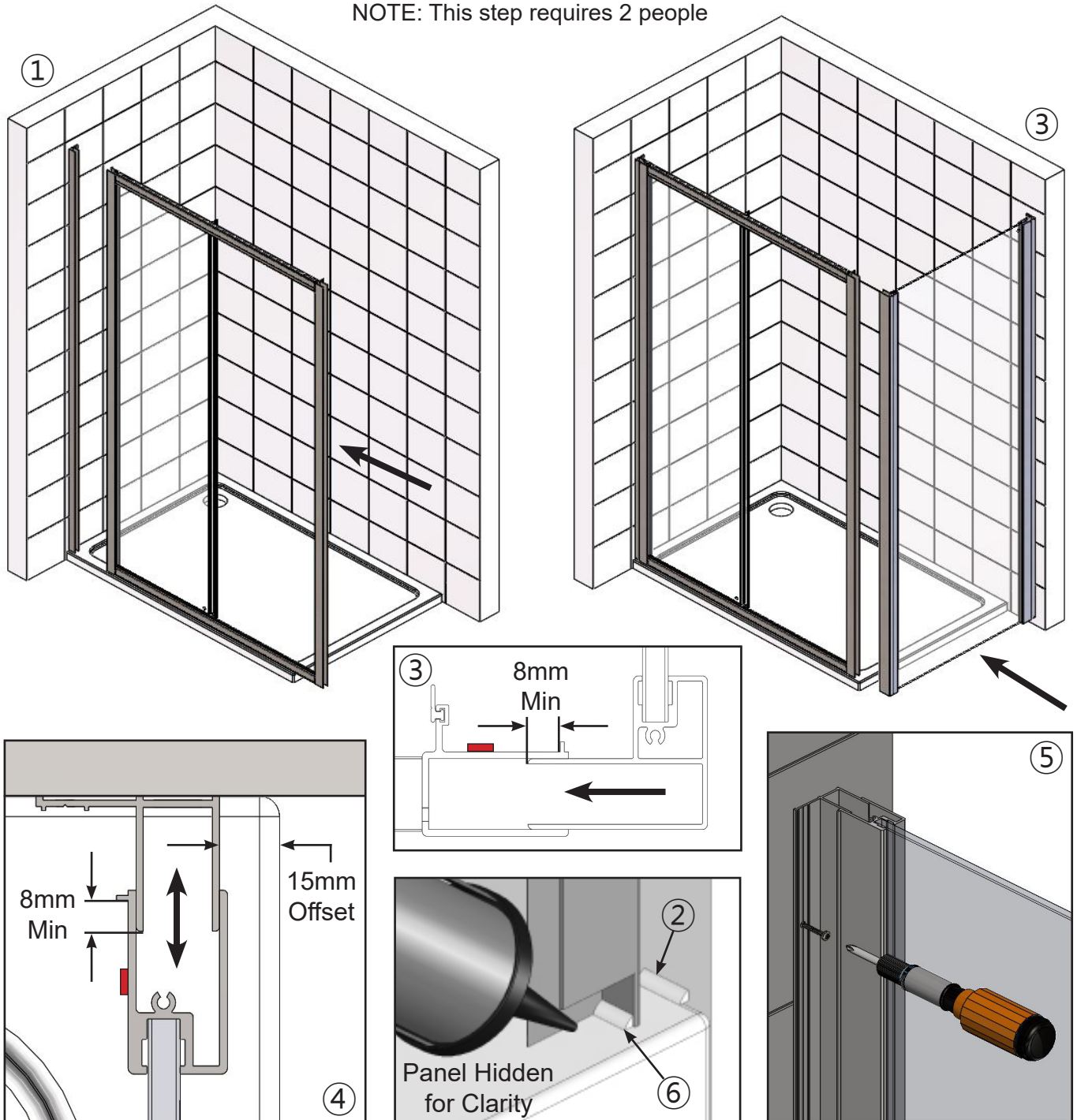
IMPORTANT: The Horizontal Rails are handed, to determine which rail goes where look at the screw hole for the glass clamp. This is slightly off centre and should go towards the glass.



1. Prior to assembling the frame remove both transit blocks from the panel assembly and discard.
2. Place the "L" shaped panel seals between the glass and horizontal rails at both the top and bottom making sure that they butt up fully to the panel assembly vertical.
 - **NOTE: There is a long and short side to the seal, make sure you fit the seal the correct way.**
3. Following the fast fix system steps as shown above, with the pre-fitted screws, slot the horizontal rail into the key slot hole on the panel assembly vertical aluminium, drop it into position, making sure the glass sits behind the glass clamp and the panel seal stays in place. Once satisfied adequately tighten the screws.
 - **IMPORTANT: Use a hand screwdriver in order to NOT over stress the screws.**
4. Repeat with the other horizontal rail followed by the seal carrier vertical aluminium on the opposite side.
5. Seal the gaps in the glass clamps with silicon sealant to prevent leaking from this area.

Step 4 - Installing the Enclosure & Fixing the 2nd Wall Profile

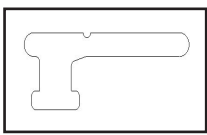
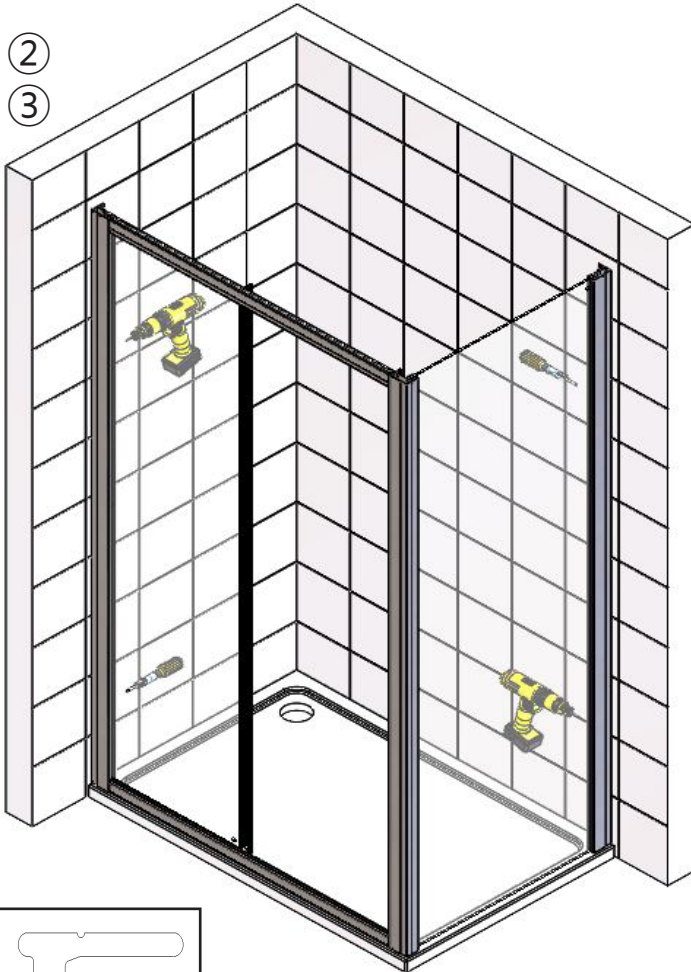
NOTE: This step requires 2 people



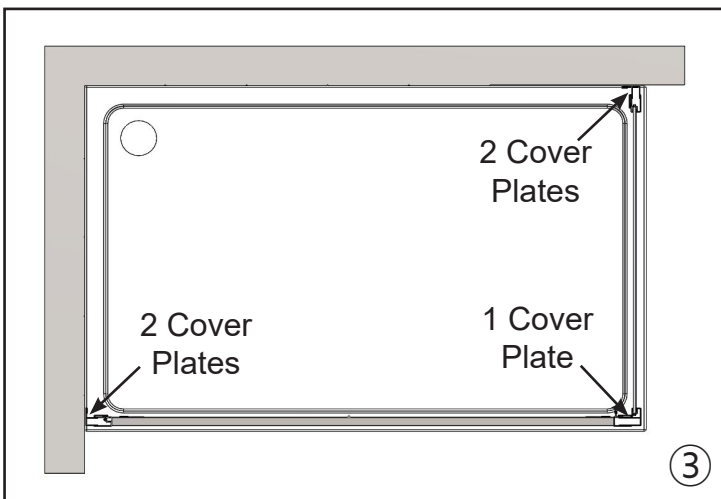
1. Firstly, carefully lift the assembled door frame onto the tray and offer it onto the (1st) wall profile which was fixed to the wall back in step 2 and push fully together.
 - **NOTE: The wall profile fits inside the frame vertical aluminum.**
 - **NOTE: Ensure that the panel end of the enclosure is fitted to your 1st wall profile.**
2. Where the side panel wall profile will meet the tiled wall and tray apply a generous bead of sealant.
3. Place the remaining wall profile onto the end of the side panel assembly and carefully lift it onto the tray, offering the corner post into the vertical aluminum of the door frame.
 - **NOTE: The corner post fits inside the frame vertical aluminum.**
4. Position the wall profile so that it locates over the previously fitted wall plugs (15mm offset from tray edge)
5. Take the 40mm screws (supplied) and screw through the profile lip to fix the profile to the wall. Do not over tighten the screws into the wall profile as this will misshape the profile. Ensure the wall profile stays completely vertical throughout this procedure using a spirit level.
6. Carefully lift the frame and panel to seal the gap on the inside between the tray and wall profile with a bathroom sealant (use a wooden chock or similar to prop up assembly while doing so, remove carefully)
 - **IMPORTANT: Failure to carry out stages 2 and 6 can result in serious water damage and is not covered under the terms of the guarantee.**

Step 5 - Fixing the Frame to the Wall Profiles

NOTE: The stages below will require 2 people to carry them out.



Frame Flipper Seal

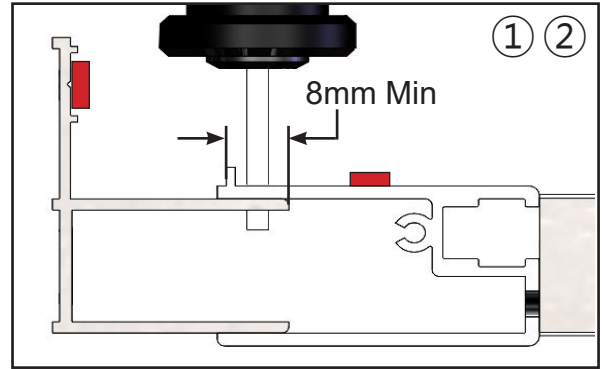


2 Cover Plates

2 Cover Plates

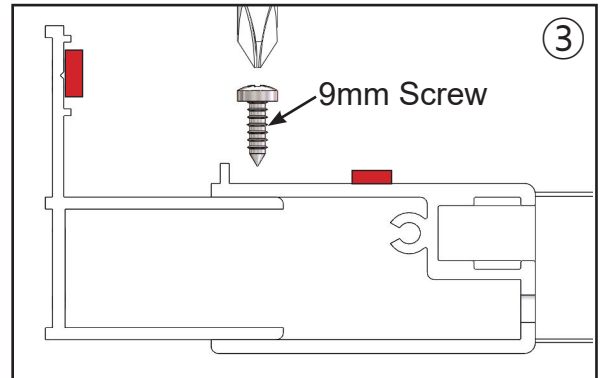
1 Cover Plate

3



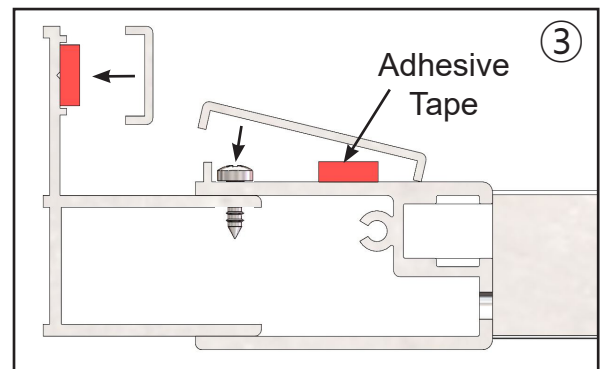
8mm Min

1 2



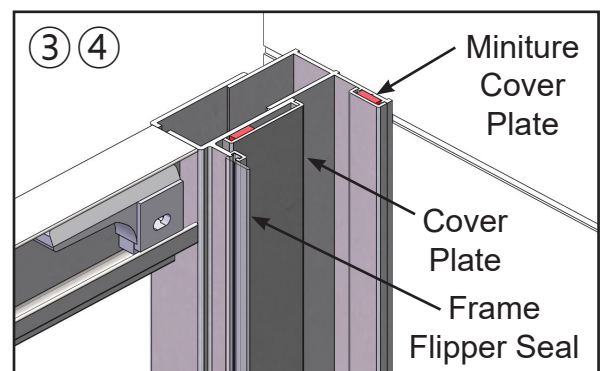
9mm Screw

3



Adhesive Tape

3



Miniture Cover Plate

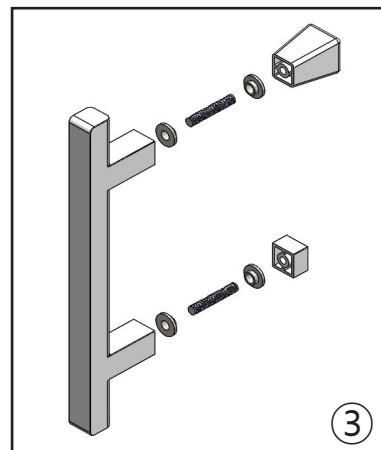
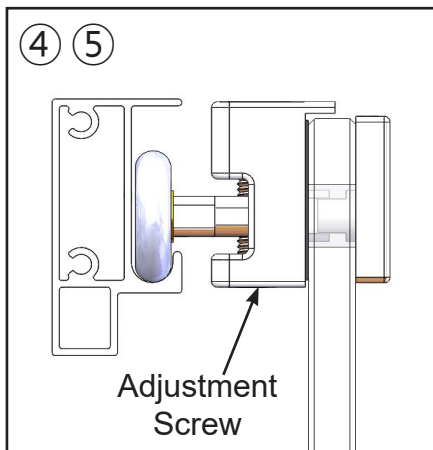
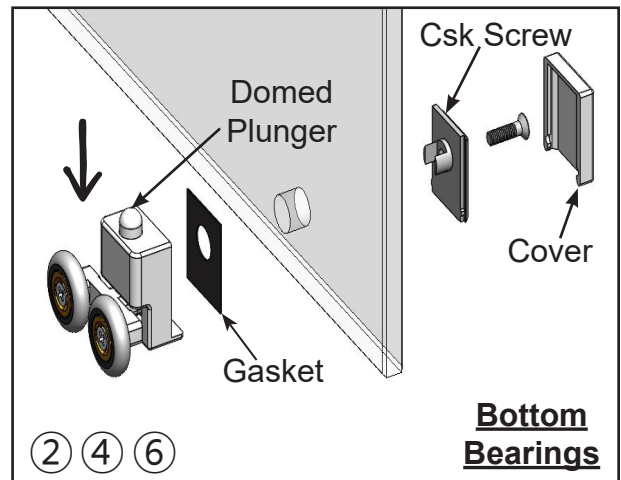
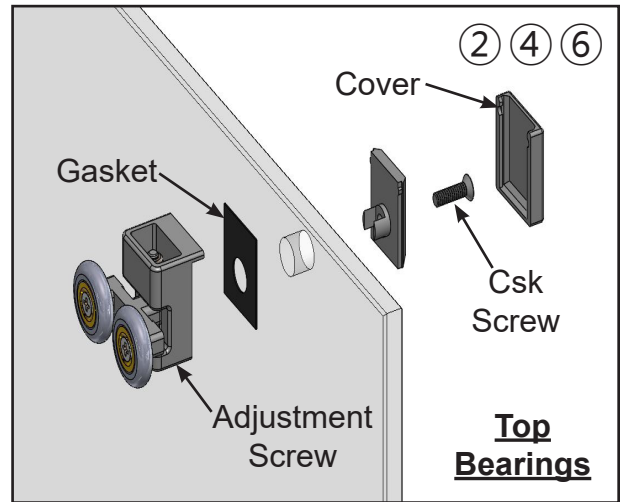
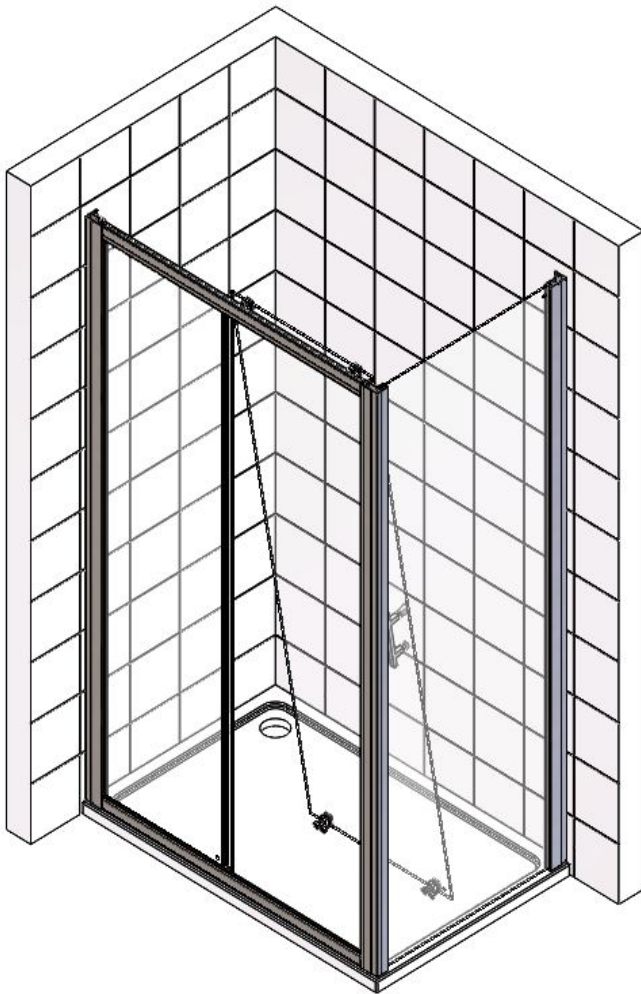
Cover Plate

Frame Flipper Seal

3 4

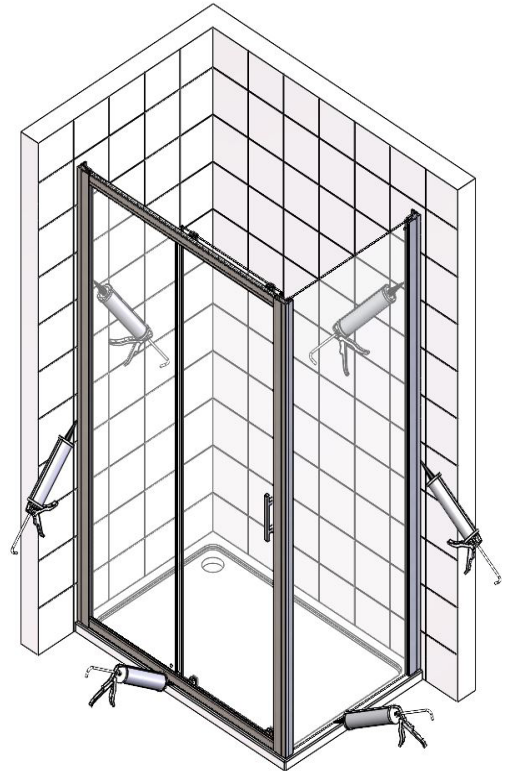
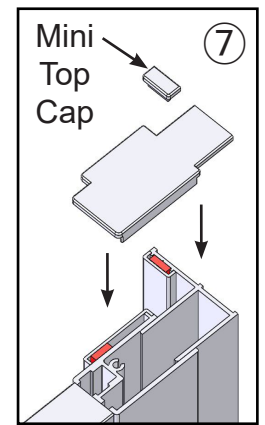
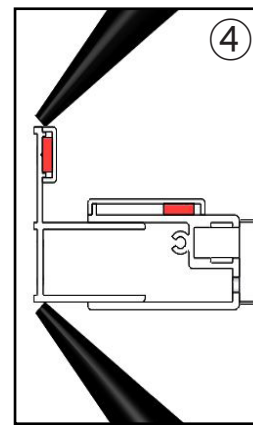
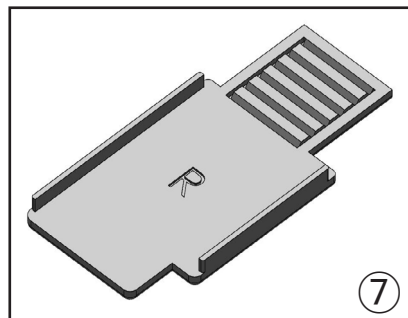
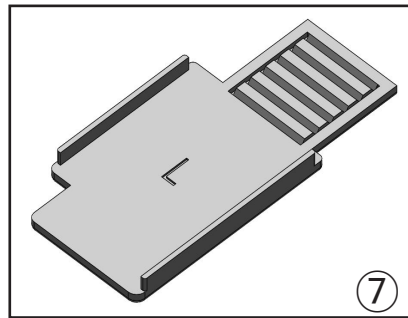
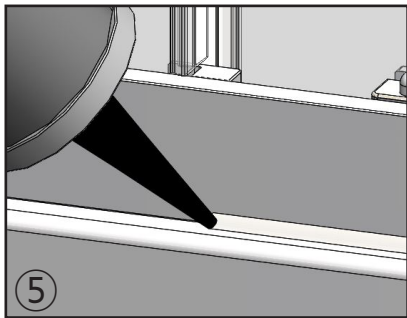
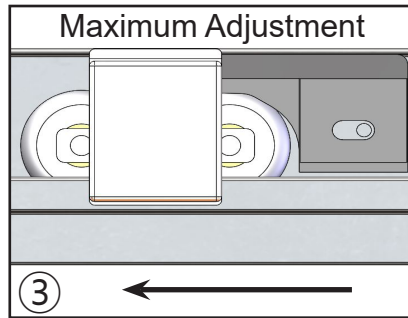
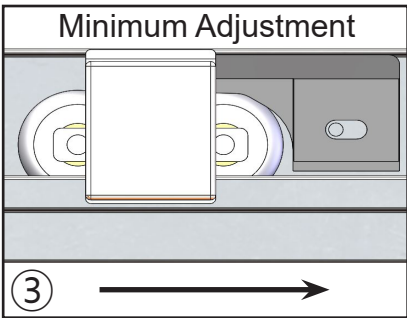
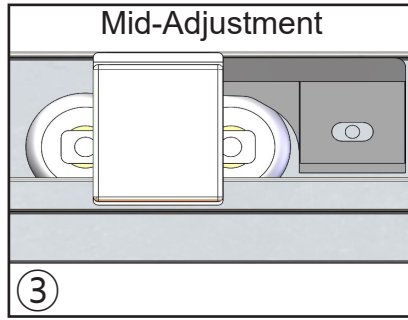
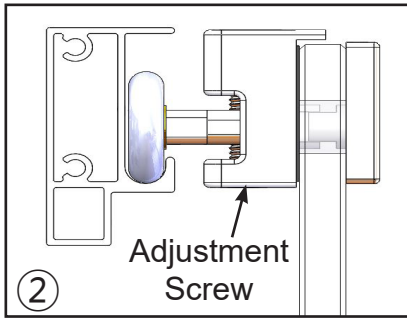
1. Ensure both the frame and panel are completely vertical and the enclosure is level.
 - **IMPORTANT: There must be a minimum of 8mm for fixing.**
2. With a spirit level, keep the framework completely vertical then drill 3 holes in each frame vertical profile (Including the corner post) approximately 100mm from the top and bottom and one in the centre into the wall profiles with the 2.5mm drill supplied.
 - **Ensure the frame is completely vertical (spirit level bubble must be in the centre of the 2 lines).**
3. Take the 9mm screws and screw the frame to the wall profiles, when all screws are fitted, peel off the film of the adhesive tape and push on the vertical aluminum cover plates aswell as the miniture cover plates for the wall profile to cover the wall fixing screws.
4. Slide the frame flipper seal into the frame vertical, trim to length if required.

Step 6 - Fitting the Door



1. Place the door glass onto a level scratch free surface.
2. Carefully dismantle the bearing assemblies, place the gasket on the outside of the glass (bearing side) then re-assemble onto the door glass. Make sure you have the correct bearings at the top and bottom and that the wheels are on the outside of the glass. (leave the inner bearing covers off till later)
 - **IMPORTANT: Fit the bearing to the door using a hand screwdriver only (Do NOT use a Drill).**
 - **NOTE: The bottom bearings have a domed plunger.**
3. Dismantle the handle and reverse fit onto the door glass.
4. Carefully place the assembled door inside the tray. With the door the correct way round offer the top bearings into the top horizontal rail, when in position lower the door and press the plungers down on the bottom bearing assemblies so that the door can be placed into the bottom horizontal rail.
 - **NOTE: When fitting, offering the door at a slight angle will make it easier to fit into the rail.**
5. There is a screw under the top bearings for adjustment purposes, adjust as necessary to align the door.
6. When satisfied with the fitting of the door fit the inner bearing covers.

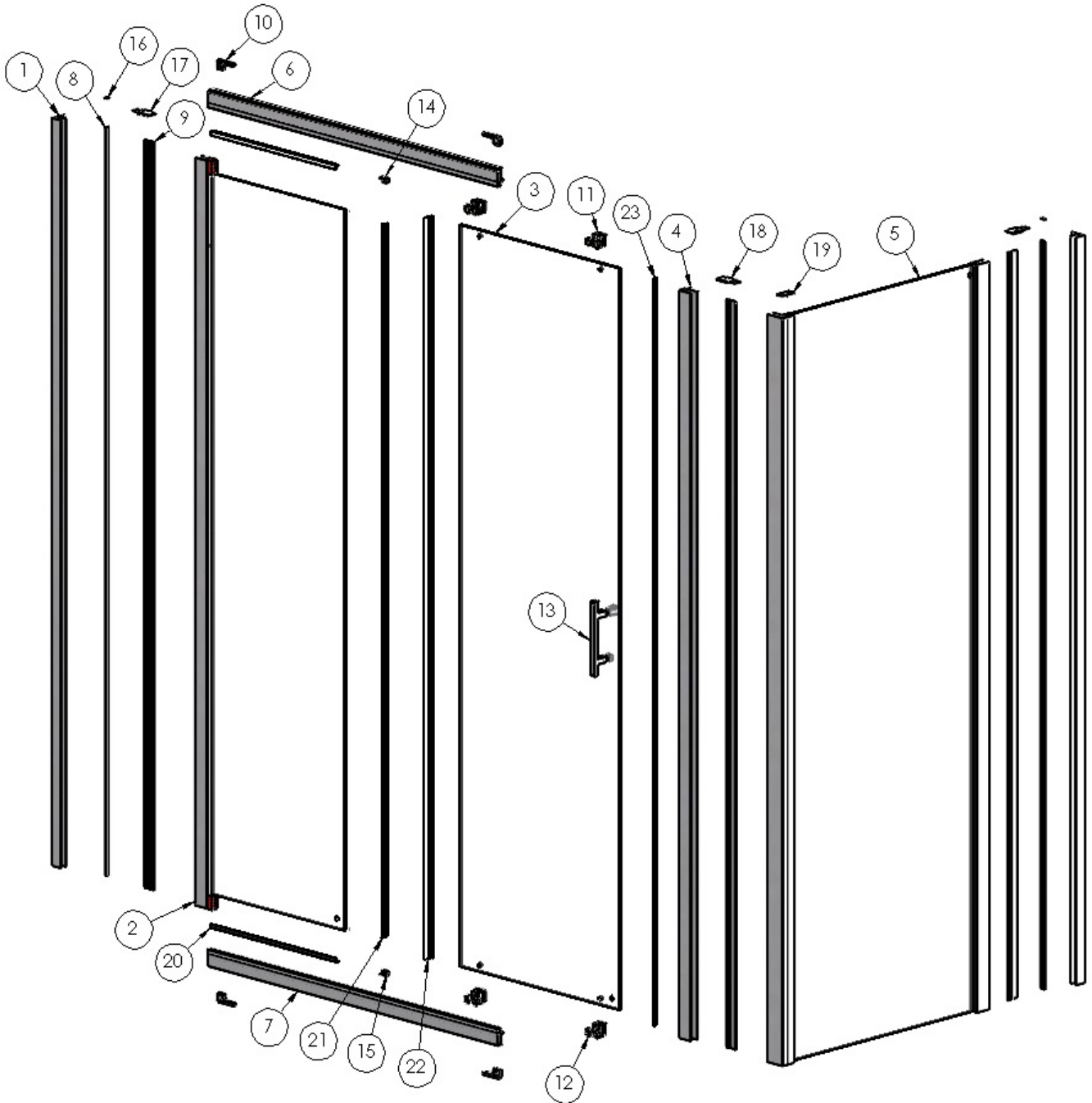
Step 8 - Door Adjustment and Sealing



1. Close the door, checking that the seals meet and that the door is running smoothly. The door seal can be pulled away from the glass slightly to help with the door closure.
2. The door can be adjusted by turning the screws on the top bearing assemblies using a screwdriver. Turn the screws up or down until you are satisfied with the door.
3. With the door adjusted, if necessary, adjust the pre-fitted door stops so they just make contact with the wheel of the bearing when open, this is to prevent excessive movement and rocking. The door stops can be moved left-to-right so that the wheel contacts it between its min and max adjustment (see diagrams).
 - **IMPORTANT: Adjust the door stops top and bottom, failure to do so may result in breakages.**
4. Using a good quality sealant, seal both sides of the wall profiles vertically inside and outside where they meet the tiled walls.
5. Fully seal the bottom horizontal rail and panel glass to the top of the tray on the outside only from wall to wall.
6. Fully seal horizontally between the top of the bottom horizontal rail and the panels glass on the outside.
 - **IMPORTANT: Failure to carry out stages 4, 5 and 6 may result in serious water damage and is not covered under the terms of the guarantee.**
 - **DO NOT seal the base of the product to the inside, failure to comply may result in the product leaking.**
7. Fit the top caps, these can be shortened to fit by snapping off at the relevant groove. Apply a small amount of silicon to the underside to help keep in place.
8. Fit the door and panel flipper seals onto the edge of the glass.
9. Please allow 24 hours for the sealant to cure prior to using the enclosure.
10. Place the branding badge in a prominent position on a none moving part of aluminium.

Spare Parts

If you need to replace any damaged parts please see illustration below for parts list then call Customer Relations on 01325 328033



Part No.	Description	Q'ty	Part No.	Description	Q'ty	Part No.	Description	Q'ty
1	Wall Profile	2	11	Top Door Bearings	2	21	Door Panel Vertical Seal	1
2	Door Panel Assembly	1	12	Bottom Door Bearings	2	22	Door Vertical Seal	1
3	Door Glass	1	13	Door Handle	1	23	Frame Flipper Seal	1
4	Door Vertical Aluminum	1	14	Glass Panel Clip (LH)	1			
5	Side Panel Assembly	1	15	Glass Panel Clip (RH)	1			
6	Top Rail	1	16	Miniture Top Cap	2			
7	Bottom Rail	1	17	Top Cap (LH)	2			
8	Wall Profile Cover Plate	2	18	Top Cap (RH)	2			
9	Cover Plate	3	19	Corner Post Top Cap	1			
10	Door Stops	4	20	Panel Horizontal Seals	2			

TROUBLE SHOOTING GUIDE

Problem	Solution
Leaking	<ol style="list-style-type: none">1. Check the tray is sealed correctly along the tiled walls prior to installation.2. Check that the inside gap between the tray and wall profiles has been sealed correctly.3. Check the base of the enclosure is sealed on the outside only.4. Check that a bead of sealant the width of the wall profile has been applied.5. Check the wall profiles on the tiled walls are sealed both vertically inside and outside.6. Check all the seals have been cut and positioned correctly.7. Fit the longer frame flipper seal. <ul style="list-style-type: none">• Important: This enclosure should be water tested conforming to BS EN 14428
Enclosure Alignment on the Tray or Floor	<ol style="list-style-type: none">1. Check the enclosure has been fitted onto a tiled wall or similar sealed surface.2. Check that the wall profiles are fitted 15mm in from the front of the tray.3. Check the wall profiles are completely vertical.4. Check that the enclosure is completely level and vertical. <ul style="list-style-type: none">• The bubble on the spirit level must be in the centre of the 2 lines.
Door not operating / closing correctly	<ol style="list-style-type: none">1. Check the tray is completely level, this could have an effect on the positioning of the door when adjusted. You may not have enough adjustment within the wall profile due to compensating for an out of level tray.2. Check the wall profiles are completely vertical.3. Check the channels that the door slides in has some lubrication gel / silicone grease in it (If not please apply some form of lubricating agent in the channels).4. If the door does not hang vertically you have adjustment at the top of each wheel bearing assembly, turning the screws clockwise will lift the door likewise, anticlockwise lowers the door.5. Rotate the Door Stops to prevent rocking.

Some important information to help you Maintain your product.

The following information is all you need to keep your product looking new.

Clean your product using a mild detergent diluted in water and then polished off using a soft cloth.

If you live in a hard water area, periodically clean your product using a 50/50 solution of white vinegar and water. The solution should be left on the enclosure for approximately 5 minutes then rinsed off using warm water. This method of cleaning should remove lime scale residue.

Simple Maintenance

Our products are generally maintenance free, however it may be necessary to lubricate wheel assemblies and other moving parts from time to time.

It is strongly recommended that a quality silicone spray is used.

A list of Don't's:

1. Don't use acidic based products which are unsuitable for cleaning enamel surfaces.
2. Don't use abrasive cleaners or cleaners using bleach or solvents, these products will adversely affect the finish of the aluminium profiles.
3. Don't use scouring pads, powder or any sharp instruments when cleaning the enclosure.

Should you experience any problems during installation please refer to the Trouble Shooting Guide or contact Customer Relations on:

+44 (0) 1325 328033

To enable customer relations to provide you with an excellent level of service it is important that you quote your product Code and Reference Number - these can be found on the Guarantee card.