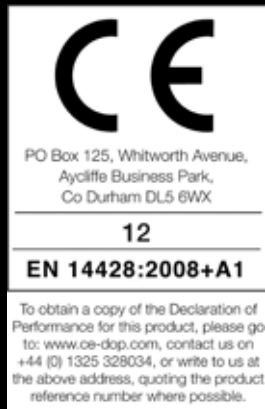


Hinge Door + One Inline Panel(Corner)

Instruction Manual

KL1HDR + KL1HR + KHR



IMPORTANT INFORMATION

- Toughened glass is completely safe for use in our shower enclosures and bath screens; providing our products are installed according to our guidelines.
- It is important to note that the glass must not be mounted or 'pinched' in such a way that would cause a stress point to develop in the glass. In addition, it must not be subject to any sharp impact or severe temperature fluctuation which may also cause a stress point to develop in the glass.
- Toughened glass is physically and thermally significantly stronger than standard glass. During the toughening process the stresses contained within any glass are balanced so if in the unlikely event situation any of the above occurs and the glass breaks, the glass will shatter safely into small thumbnail sized blunt fragments.

PRE-INSTALLATION CHECKS

- Check you have the correct product. Please look at the labels on the side of the product packaging.
- Check all the product components are in the box and the fixing kits.
- Unpack your product and handle it with care.
- Please check the product for defects or damage, once the installation has commenced we cannot accept responsibility for any defects or damage.
- Please take time to read these instructions prior to installing your product.
- Before you commence any drilling check there are no hidden electrical cables and/or water pipes.
- No attempt should be made to re-work the toughened safety glass.
- The installation of the product should be performed by two persons.
- It is strongly recommended that the walls the product is going to be installed on are vertical.
- It is strongly recommended the product is fitted on a tiled surface or similar waterproof surface.
- It is strongly recommended the walls are tiled and grouted before the product is installed.
- If the walls and/or the tray are not level you will not achieve maximum adjustment of the product.
- Pictures used are for illustration purposes only, product designs may alter slightly as a result of continuing product development.
- We do not stipulate where the European Standard Kite Mark should be positioned on the glass when being factory assembled.
- Please note that some natural misting may occur when you remove this product from its packaging, due to the addition of the glass protection pre-coating. If this does occur this can easily be removed with a soft, dry cloth.

Equipment Check List: Not Supplied

Description
Electric / Battery Drill
Pozi Screwdriver
Sealant Gun / Sealant
Spirit Level (Large)
7mm Masonry Drill Bit
Tape Measure
Pencil
Torque Wrench
Stanley Knife / Snips

Component Check List: Supplied

Description	Quantity
Wall Profile	1
Inline Panel Glass	1
Side Panel Glass	1
Hinges	2
Door Glass	1
Handle Assembly	1
Hinge Bubble Seal & Inline Panel Seal	1 of each
Bottom Seal - Bottom Rail (Sloped)	1 of each
Wall Profile Top Cap	1
Wall Brackets	2
Wall Brace Assembly (Left and Right Hand)	1 of each
Bottom Rail to Wall Profile Joint & Bottom Rail Joint	1 of each
Blanking Ends (Left and Right Hand)	1 of each
Bottom Rail & Wall Blanking End	1 of each

Fixing Kit Components	Quantity		
	KL1HDR	KL1HR	KHR
T Shaped Spacers	6	-	-
Door Setting Blocks	4	-	-
40mm long Csk Head Screws	-	-	5
Wall Plugs (Brown)	-	-	9
Branding Clip	1	-	-
Panel to Panel Tape	-	-	3

CONSUMER GUARANTEE

Please make sure the purchaser/end user completes and returns the guarantee card which is enclosed with this product. Failure to validate the Guarantee will mean only the 1 Year Statutory Guarantee will apply.

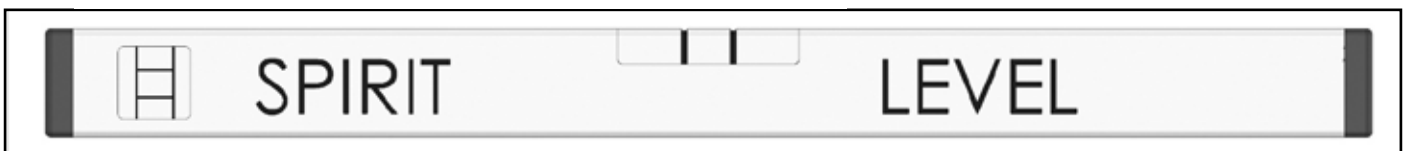
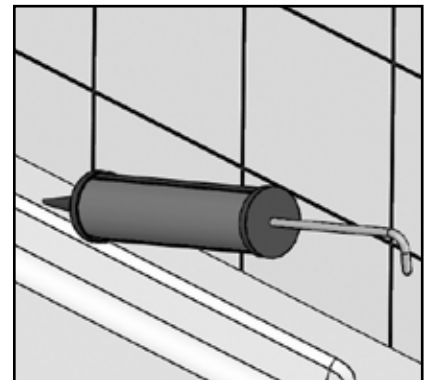
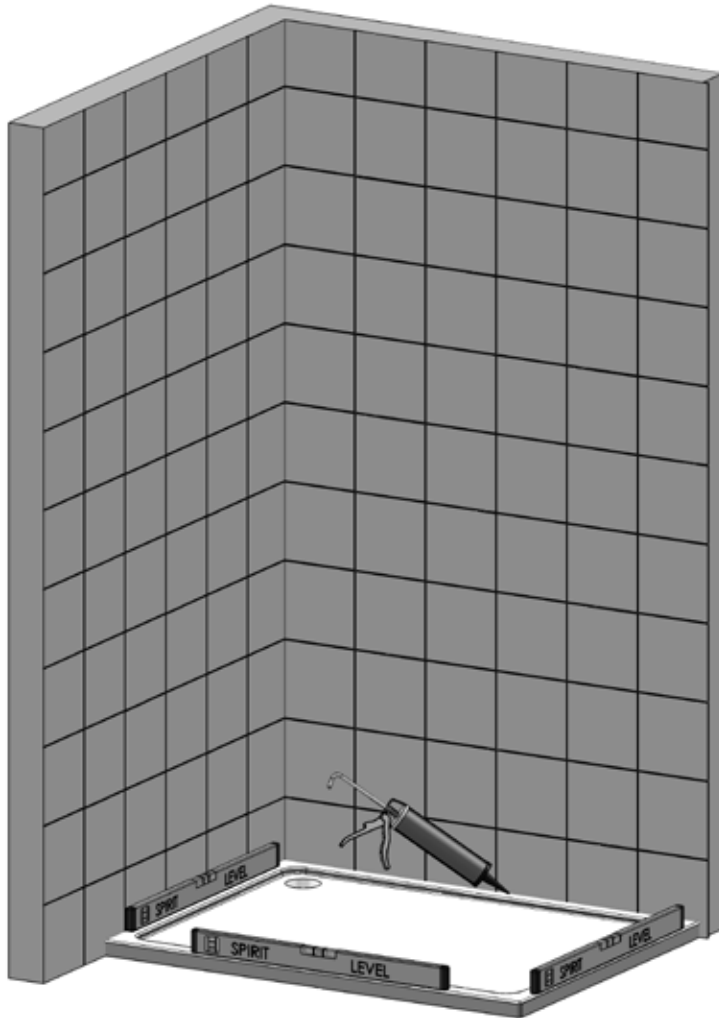
Step 1 - Pre-Installation Checks and Aperture Sizes

Door + Inlne	Width
KL1HD13 + KL1HR1013	980
KL1HD13 + KL1HR1213	1180
KL1HD13 + KL1HR1413	1380
KL1HD13 + KL1HR1613	1580

IMPORTANT: The above are finished tiled sizes

Side Panel	Minimum	Maximum
KHR813	773	787
KHR913	873	887

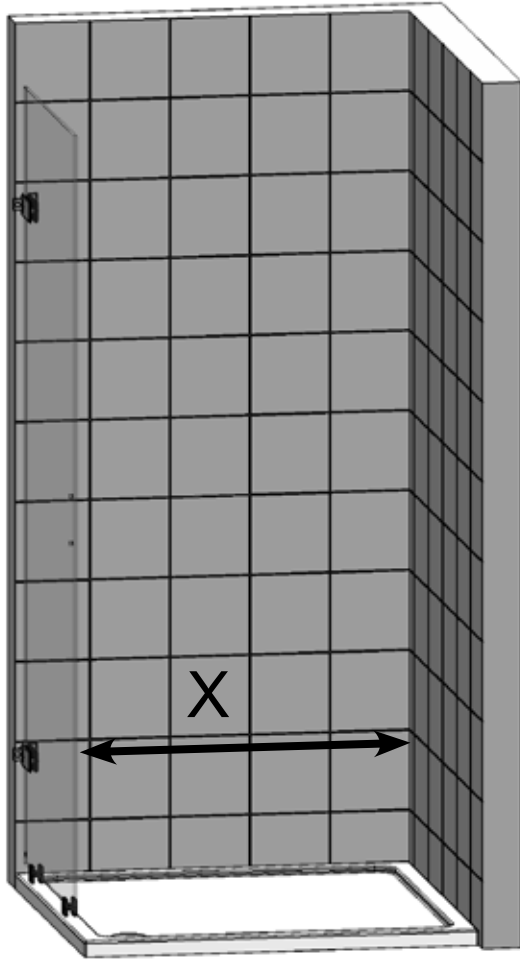
IMPORTANT: The above are finished tiled sizes



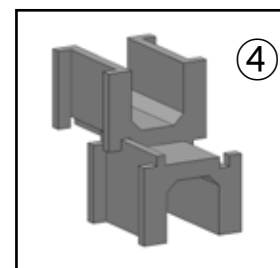
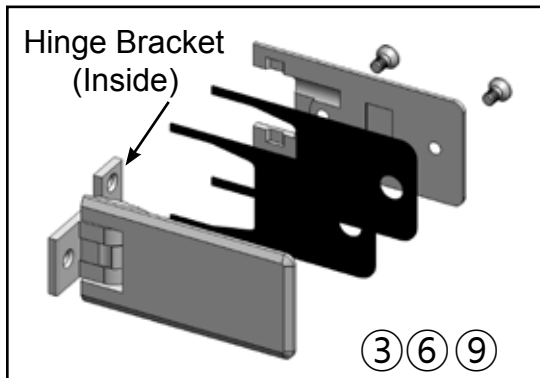
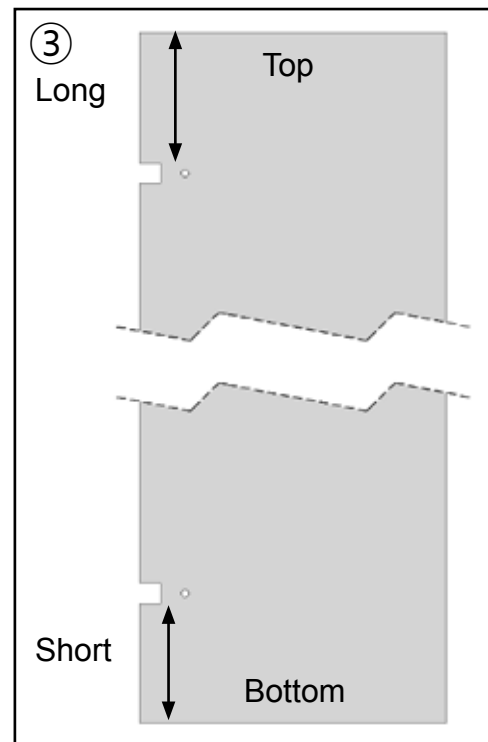
1. Check the tray is level on all sides (the bubble on the spirit level must be in the centre of the 2 lines).
2. Stand in the tray and check that there is no adverse movement (correct if necessary).
3. The walls should be tiled and grouted up to the tray.
4. The tiles and the tray should be sealed using a good quality bathroom sealant.
 - Spray the seal and joints with the shower head and check for leaks when the silicon has cured.
 - Check the plumbing for leaks.
 - DO NOT plasterboard over the tray.
 - DO NOT grout the tiles when the enclosure has been fitted, the grout may discolour the aluminium profiles.
 - Make sure the tray is installed as per the manufacturer's instructions.
 - When all of the above has been completed please proceed to the Step 2.

Step 2 - Door Hinge Positions

IMPORTANT: Use the table below for positioning of the Door Hinges. Note the dimensions given are from the tiled wall to the inside of the Door Hinge Bracket (see image below). Placing some Masking Tape on the Tiled Wall in the position where the Hinge is to go will not only help with marking out but will also help protect the



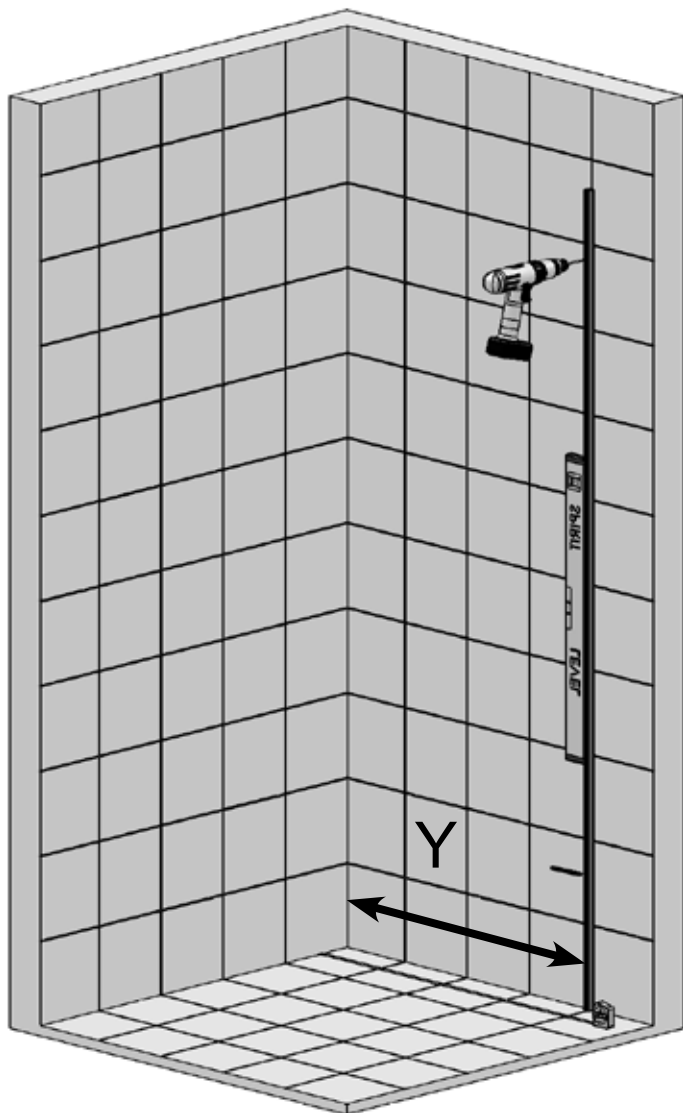
To Suit Side Panel	Dimension X
KHR813	742
KHR913	842



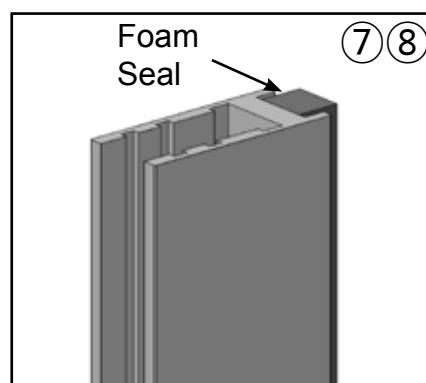
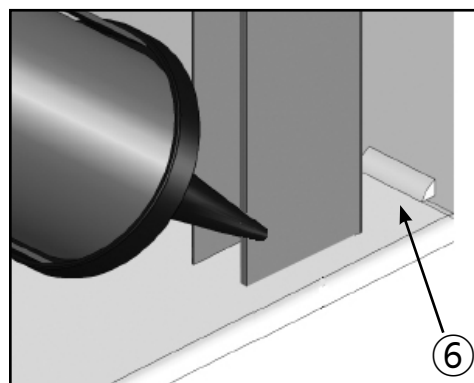
- Using the table above mark the wall at the required distance (dimension "X") to suit your Panel size.
- Place a Spirit Level onto the pencil mark and add a pencil line fully up the wall.
 - IMPORTANT: You MUST ensure that the Spirit Level is completely vertical when marking the wall.**
- Make sure you have the Door Glass the correct way then carefully dismantle the Door Hinge Assemblies and fit to the glass ensuring all gaskets are fitted.
 - Note: There are 2 gaskets on either side of the glass.**
- Take the Red Door Setting Blocks and slide them together to create 2 small assemblies. Position them on the tray where the Door is going to go.
- Lift the Door assembly onto the Red Setting Blocks and up to the wall.
- Line the inside of the Hinge Bracket onto the pencil line ensuring it is kept completely vertical.
- Mark the wall through the holes in the Hinge Bracket.
- Remove the Door Assembly then drill the wall with a 7mm masonry drill (not supplied). Remove the Masking Tape and fit the Wall Plugs and remove any debris.
- Carefully remove the Hinge Assemblies from the Door Glass.
 - IMPORTANT: We recommend that 2 people do the operations as shown above.**

Step 3 - Panel Wall Profile Positions

IMPORTANT: Use the table below for the positioning of the Wall Profile. Note the dimensions given are from the tiled wall to the inside of the Wall Profile. Placing some Masking Tape on the Tiled Wall in the position where the Wall Profile is to go will not only help with marking out but will also help protect the tiles when drilling.

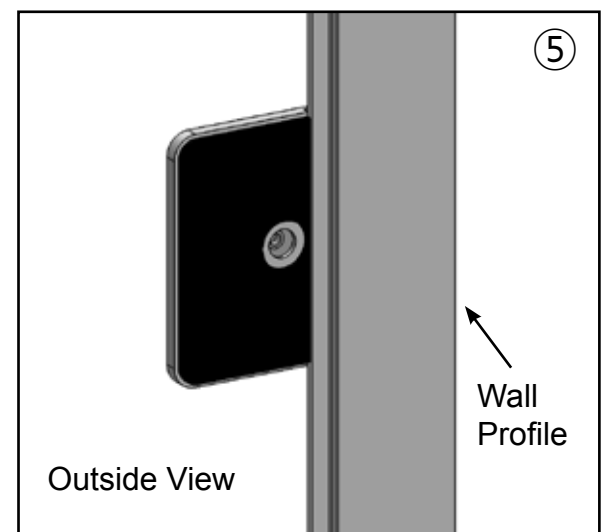
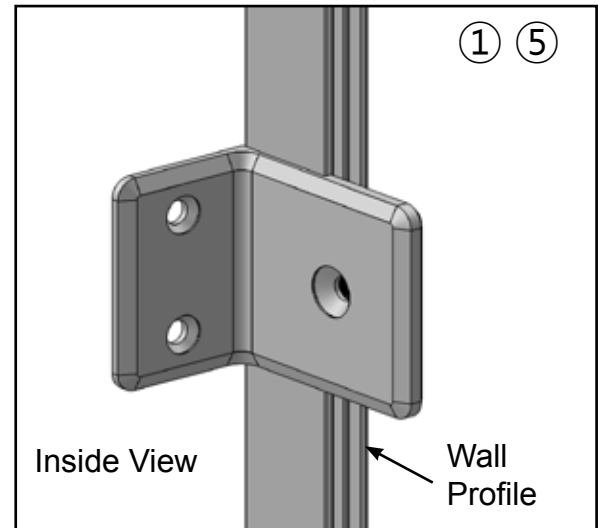
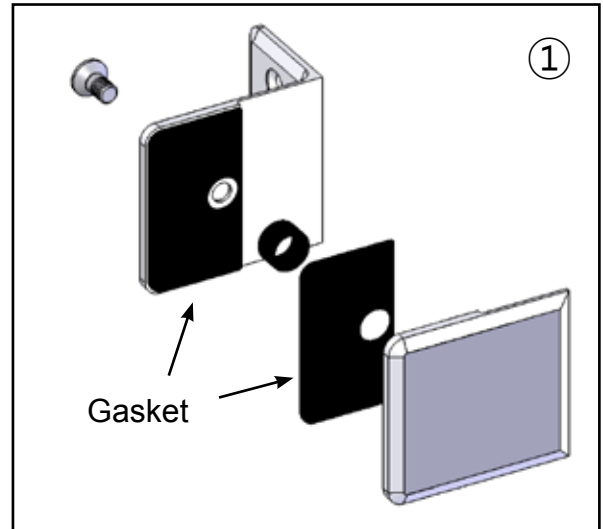


To Suit Door + Inline	Dimension Y
KL1HD13 + KL1HR1013	966
KL1HD13 + KL1HR1213	1166
KL1HD13 + KL1HR1413	1366
KL1HD13 + KL1HR1613	1566



- Using the table above mark the wall at the required distance (dimension "Y") to suit your Door+Inline size.
- Place a Spirit Level onto the pencil mark and add a pencil line fully up the wall.
 - IMPORTANT: You MUST ensure that the Spirit Level is completely vertical when marking the wall.**
- Place the inside of the Wall Profile onto the pencil line making sure that it is fully vertical.
- Mark the wall through the holes in the Wall Profile.
- Drill the wall with a 7mm masonry drill (not supplied). Remove the Masking Tape and fit the Wall Plugs and remove any debris.
- Apply a bead of sealant the width of the Panel Profile where it meets the top of the tray and the tiled wall.
- Place the Wall Fixing screws into the holes in the Panel Profile, carefully move the Foam Seal to one side to allow the screws through if required.
 - IMPORTANT: DO NOT remove the Foam Seal.**
- Line up the screws with the holes in the Wall and tighten all the screws.
 - NOTE: Tighten the screws evenly, ensure the Foam Seal does NOT protrude out from the Panel Profile.**

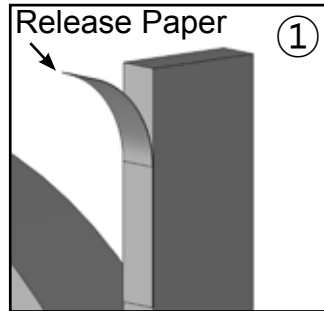
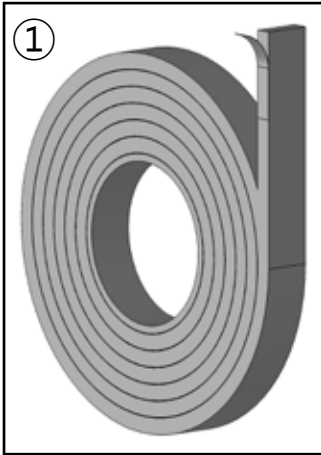
Step 4 - Panel Wall Bracket Positions



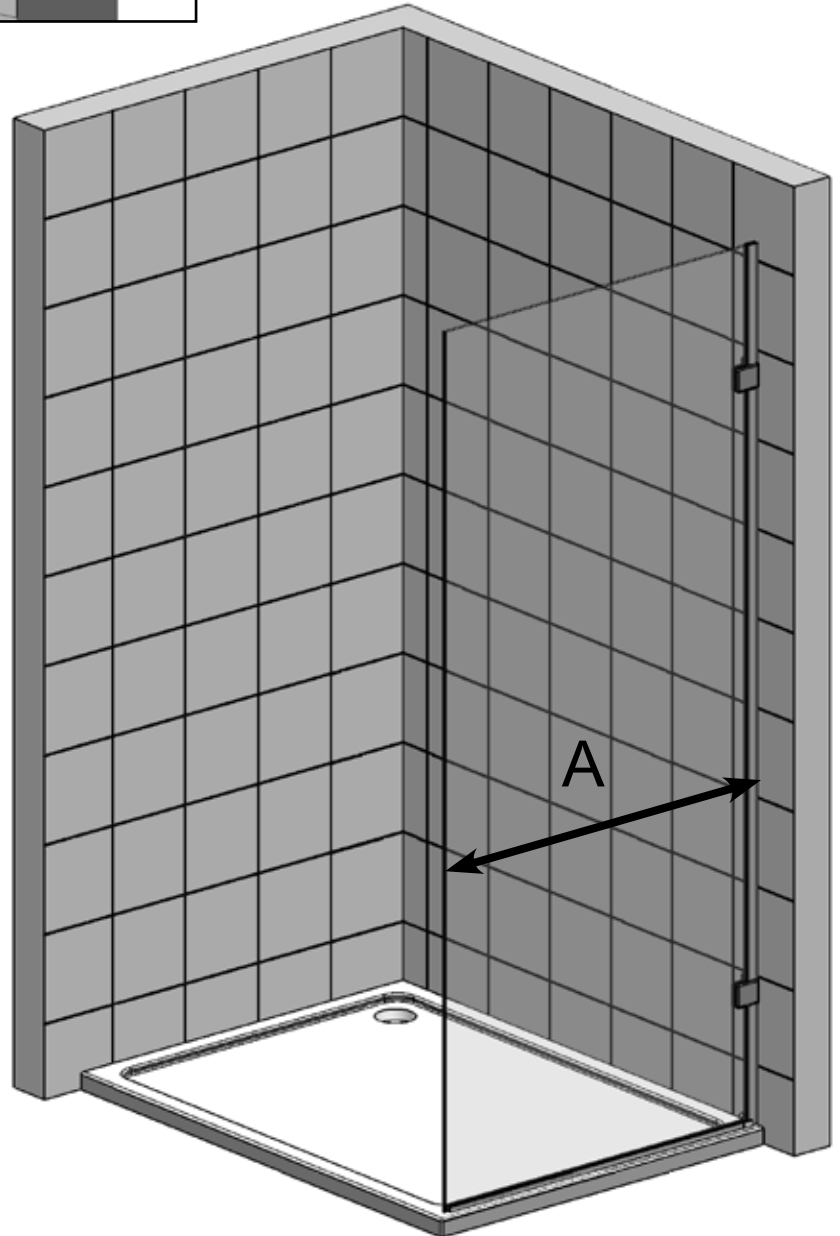
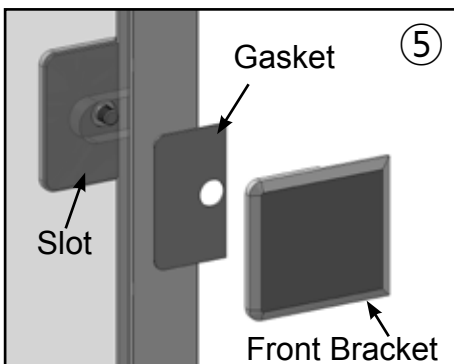
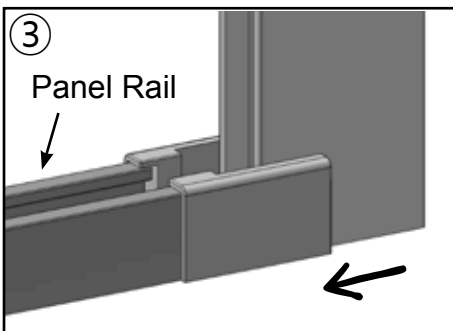
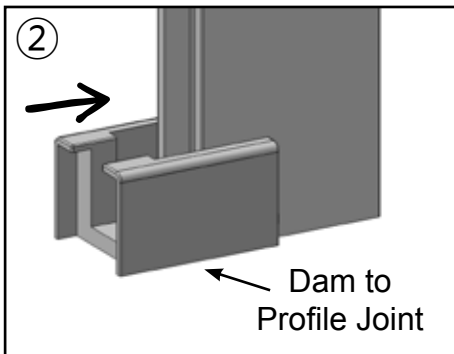
1. Dismantle the Wall Brackets and fit onto the Panel Glass ensuring that all gaskets are fitted. Ensure that the brackets are fitted the correct way (screws to the inside).
2. Carefully lift the Panel into the Wall Profile and up to the wall.
3. Mark the wall through the holes in the Brackets using a pencil. Remove the Panel.
4. Drill the wall with a 7mm masonry drill (not supplied). Fit the Wall Plugs and remove any debris.
5. Remove the brackets from the Panel and fasten the inside bracket to the wall and over the Wall Profile.

Step 5 - Fitting the Side Panel

Note: We recommend 2 people carry out the procedures below.



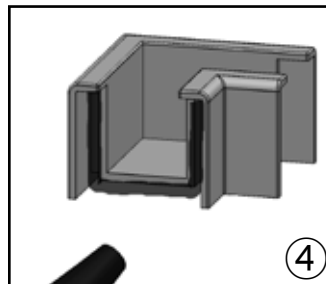
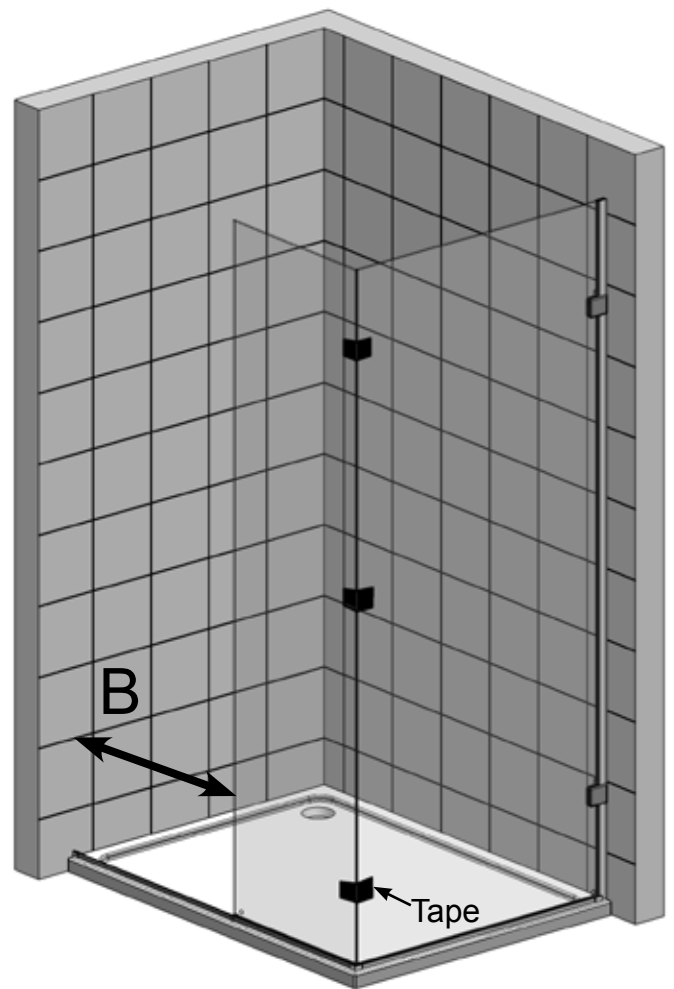
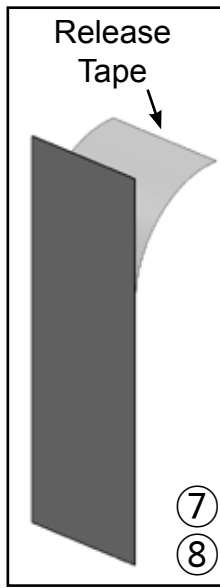
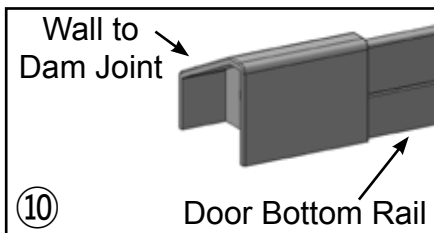
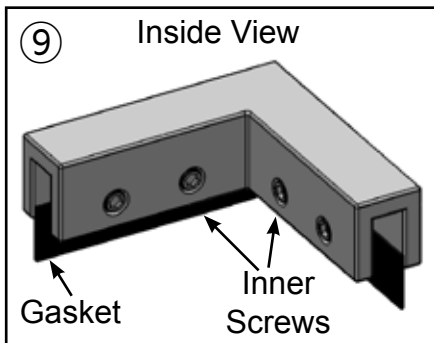
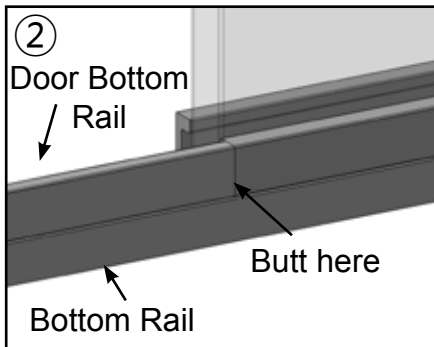
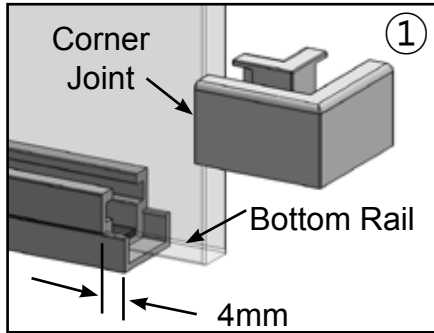
Side Panel	Dimension A
KHR813	770
KHR913	870



- Place the Foam Seal to the inside of the Panel Profile and push it in up to the screws, ensure it touches the top of the tray. Remove the release paper from the Tape at the top and attach it to the inside to stop the Foam Seal from dropping.
 - IMPORTANT: Let the Foam Seal fall freely down the channel, DO NOT stretch.**
- Place the Dam to Profile Joint over the Panel Profile at the bottom and push to the wall.
- Place the Panel Assembly into the Panel Profile. The outer edge of the glass should be set to the required dimension "A" (see table) from the back wall.
- Attach the front of the Wall Brackets to the already fitted Brackets and tighten, ensure that the gaskets are placed between the Brackets and glass.
- Ensure that the glass is completely vertical using a Spirit Level and has not moved from Dimension "A" then fully tighten the Wall Brackets.

Step 6 - Fitting the Front Panel

IMPORTANT: It is recommended to dry fit this Panel first, this will allow the installer to see how it fits together. Please read the procedures below before starting. We recommend 2 people carry out the procedures below.

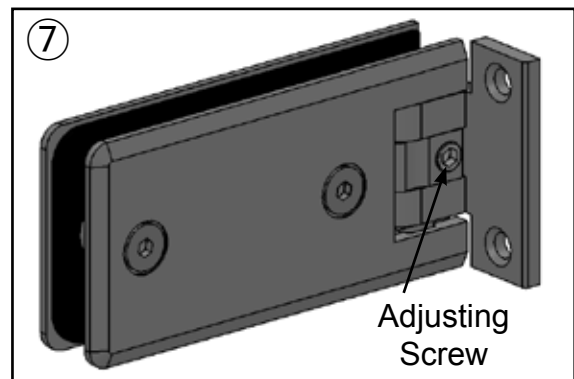
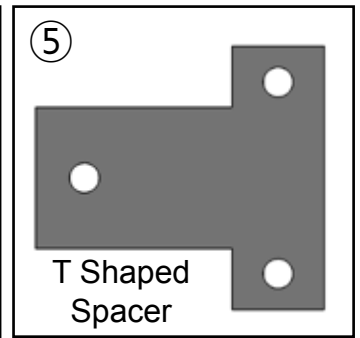
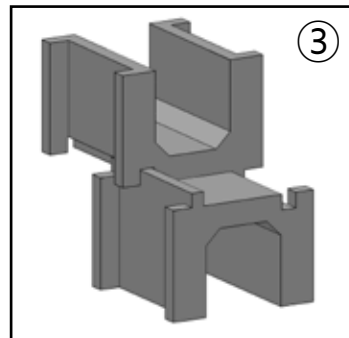
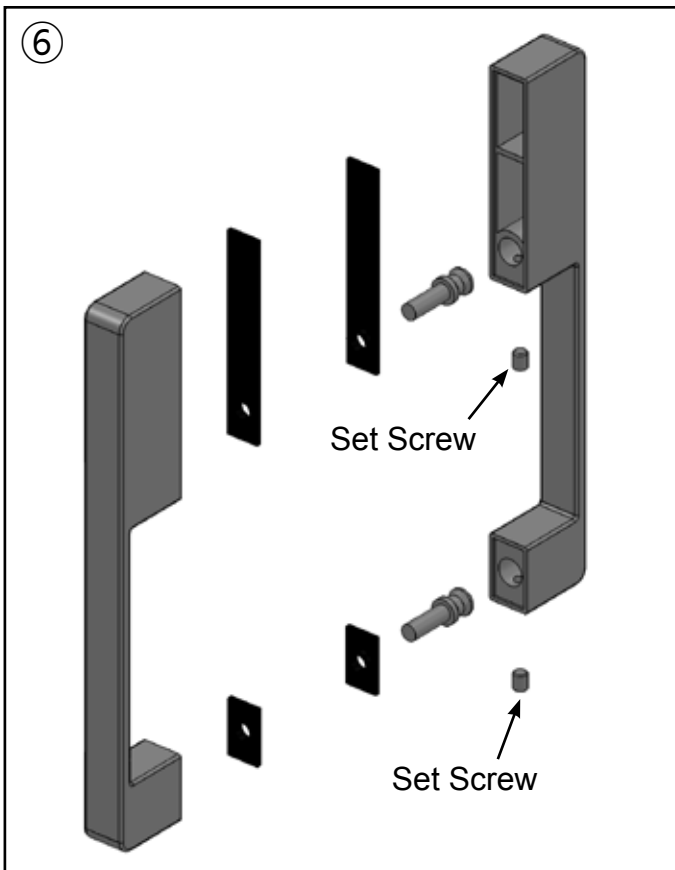
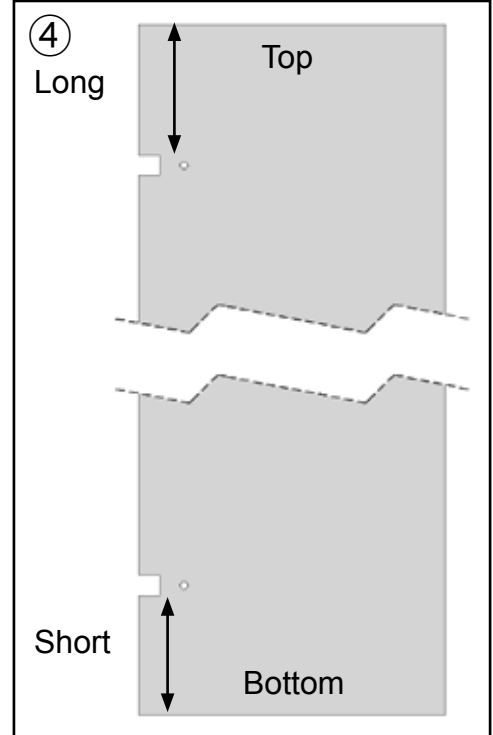
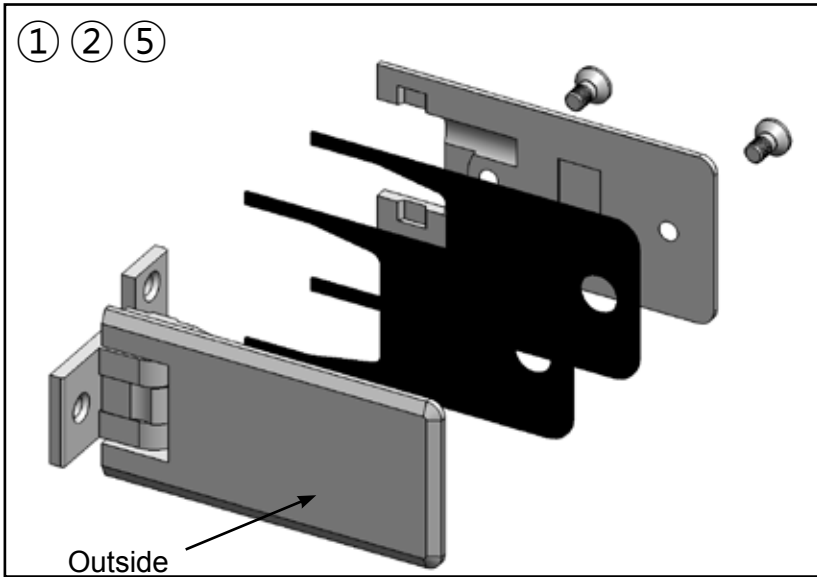


Front Panel		Dimension B
All Sizes		663

- Take the Front Panel and slide the Bottom Rail over the prefitted aluminium. Overlap it by 4mm approximately.
 - IMPORTANT:** The prefitted aluminium is flush at one end, place this at the Door side NOT the Side Panel.
- Slide the Door Bottom Rail into the Bottom Rail and up to the glass ensuring the slope faces inward.
- Place the Corner Joint over the profiles and up to the glass at the bottom where it will meet the Side Panel.
- Place a bead of silicon to the inside of the Corner Joint on both sides prior to fitting.
- Position the Front Panel and parts onto the tray and in line with the Side Panel. Align the end of the Front Panel with the outside of the Side Panel. Make sure that the Corner Joint fits over the Side Panel aluminium.
- When satisfied that all goes together carefully ease the Front Panel away and apply a light spray of water to the glass (bottle supplied) where it is to be attached to the Side Panel.
 - NOTE:** The light spray of water will allow some movement with alignment and will evaporate away normally.
- On the edge of the Side Panel carefully remove the release paper from the prefitted tape. Take care that ALL parts are placed correctly with dimension "A" being maintained, place the Front Panel onto the Side Panel.
- Push the panels together to remove any gaps between the panels, attach the 3 strips of Tape equally from the Front Panel to the Side Panel to hold them together.
- Fit the Corner Bracket to the top of both Panels. Ensure the gaskets are on the outside and no metal touches the glass. Tighten the 2 inner screws that are nearest the corner first and then the outer screws.
- Place the Wall to Dam Joint over the Door Bottom Rail. Ensure that the Wall to Dam Joint butts up to the tiled wall (if required slide the rails along to achieve this). Check the Panels and rails are parallel to the tray.

Step 7 - Fitting the Door

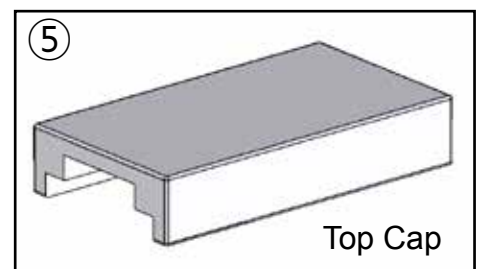
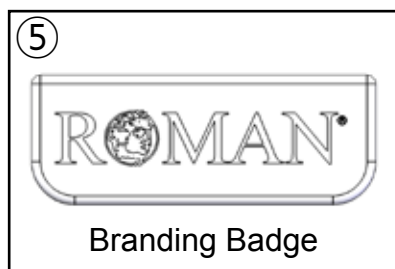
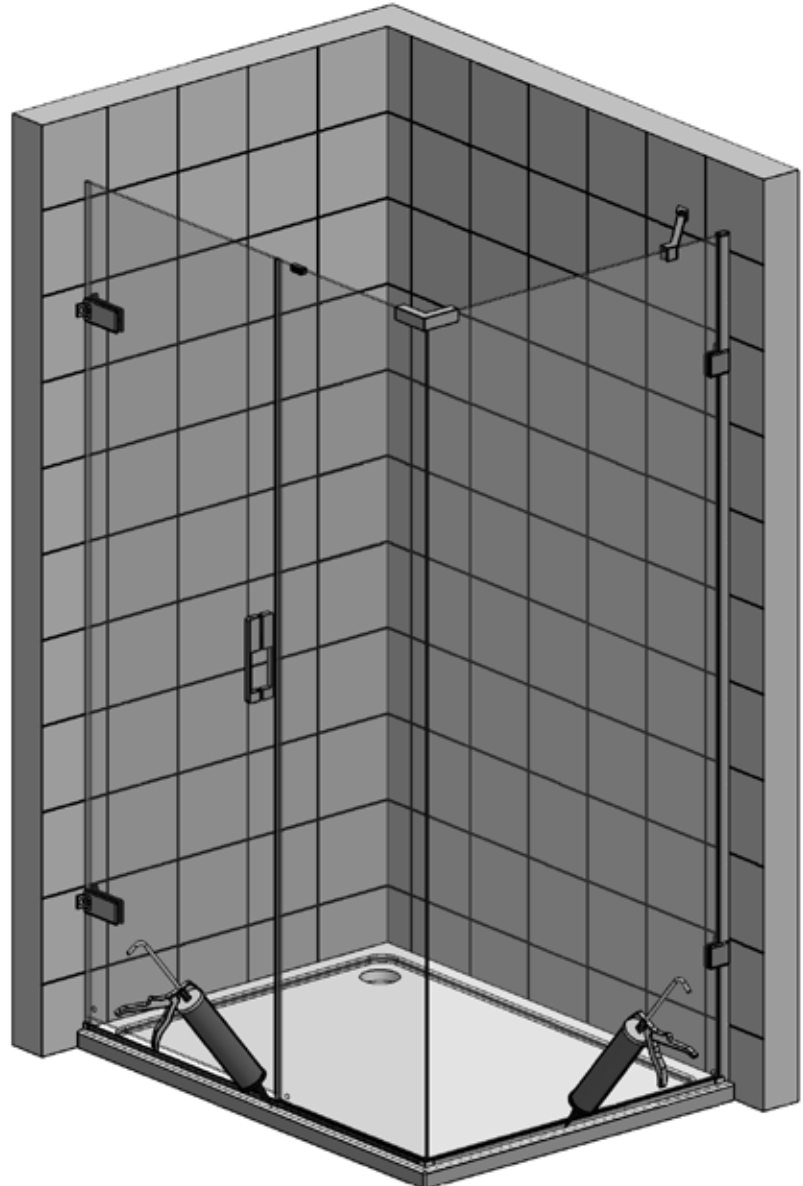
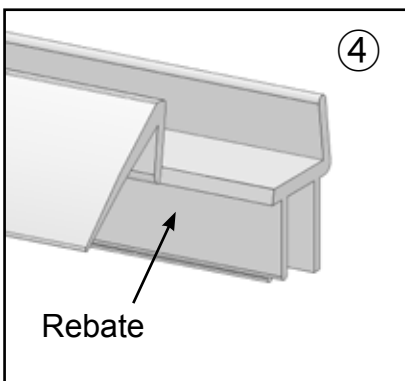
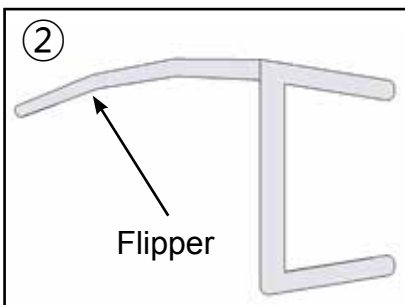
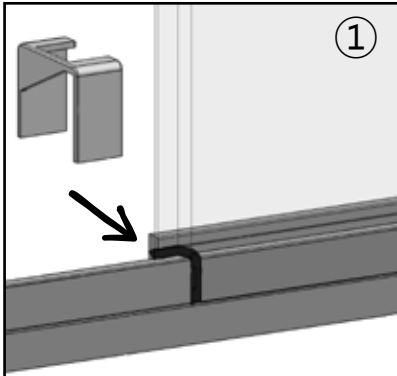
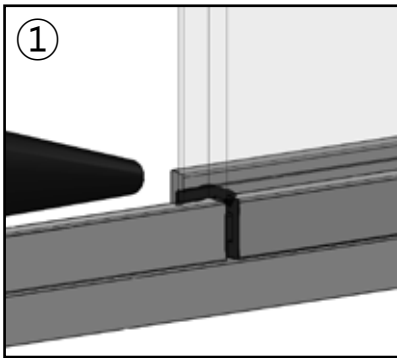
Note: We recommend 2 people carry out the procedures below. Fitting the Handle early will help with lifting.



1. Fasten the Hinges to the wall using the countersink screws supplied.
2. Remove the screws from the back of the hinges and remove the back plate and 2 gaskets on each hinge.
3. Take the Red Door Setting Blocks and slide them together to create 2 small assemblies. Position them on the tray where the Door is going to go.
4. With the Door Glass the correct way round offer it onto the Hinges and onto the Red Setting Blocks.
5. Replace the gaskets and back plates onto the Hinges and fully tighten the countersink screws.
 - **Note: There are 2 gaskets on either side of the glass.**
 - **Note: Included with the product are 6 "T" Shaped spacers. These are intended to help with out of true walls.**
 - **IMPORTANT: Tighten the 4 Hinge fixing screws to 10N/m using a torque wrench.**
6. Remove the Handle Assembly from its packaging and reassemble onto the Door Glass, ensure that the set screws are fitted on the inside of the Door and all gaskets are used between the glass and metal parts.
7. The Hinges can be adjusted inward or outward. Loosen the Adjusting Screw, move the Door to the desired position then tighten the Adjustment Screw.

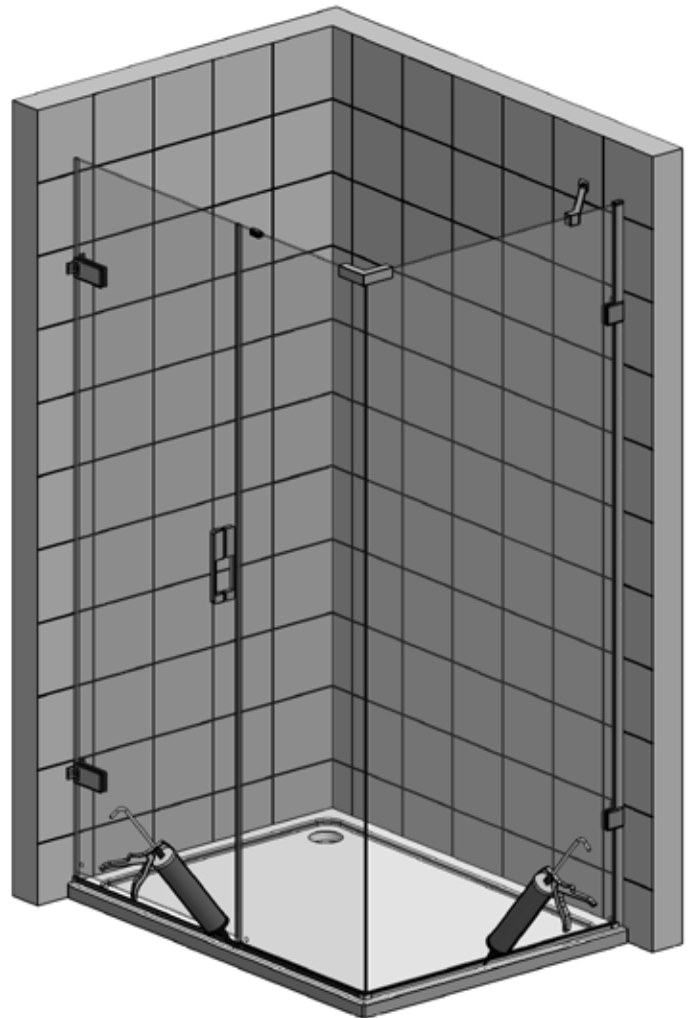
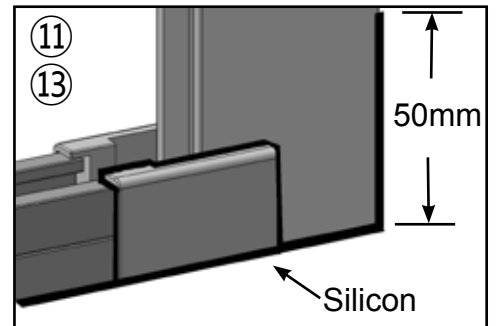
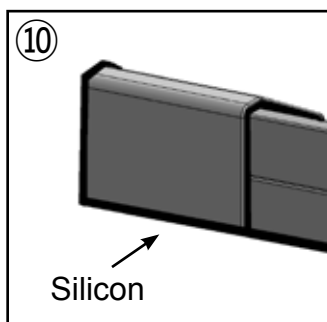
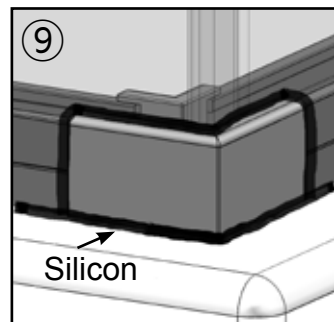
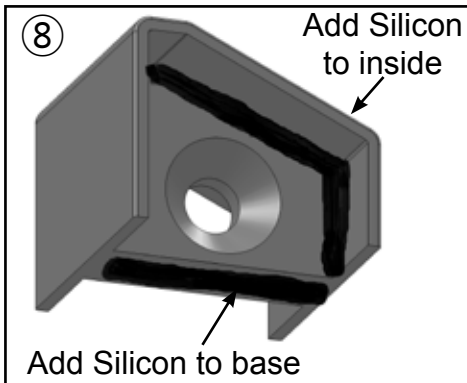
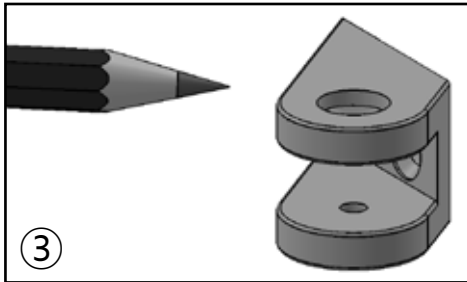
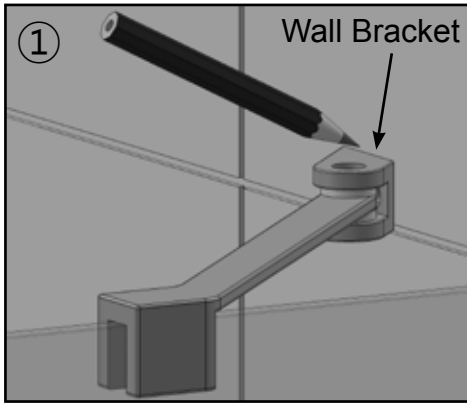
Step 8 - Fitting the Seals

Note: The Door can be set for Inward or Outward opening, please refer to Step 4. Set the Door so that when it is closed the glass presses onto the Flipper. Ensure the Panel Seal is fitted correctly to suit your option.



1. At the bottom of the Front Panel Assembly, place a bead of silicon between the Glass and the bottom Rail. Fit the Blanking End (select the correct handing) then carefully remove any excess silicon.
2. Fit the Panel Seal onto the Panel Glass and down on top of the Blanking End, trim to length if required.
 - **IMPORTANT: Please ensure the Seal is fitted to suit Inward or Outward opening. The Door must close onto the Flipper, for example if the Door is Outward opening the Flipper must be on the inside of the shower.**
3. Fit the Bubble Seals to the Hinge Side of the Door Glass, trim as required.
 - **NOTE: The lower seal should sit as close to the top of the Wall to Dam Joint as possible.**
4. The Bottom Seal requires a rebate at one end only (Handle side). Fit the Bottom Seal so that the rebated end is level with the glass at the Handle side of the door and cut it to length so that it butts up to the Hinge Bubble Seals. Push fully onto the glass.
 - **IMPORTANT: The Seal is rebated at both ends, remove the rebate that is not required. You MUST ensure that the Deflector on the Bottom Seal is facing inward towards the shower.**
5. Fit the Top Cap to the Side Panel Profile and the Branding Badge to the top of the Front Panel Glass.

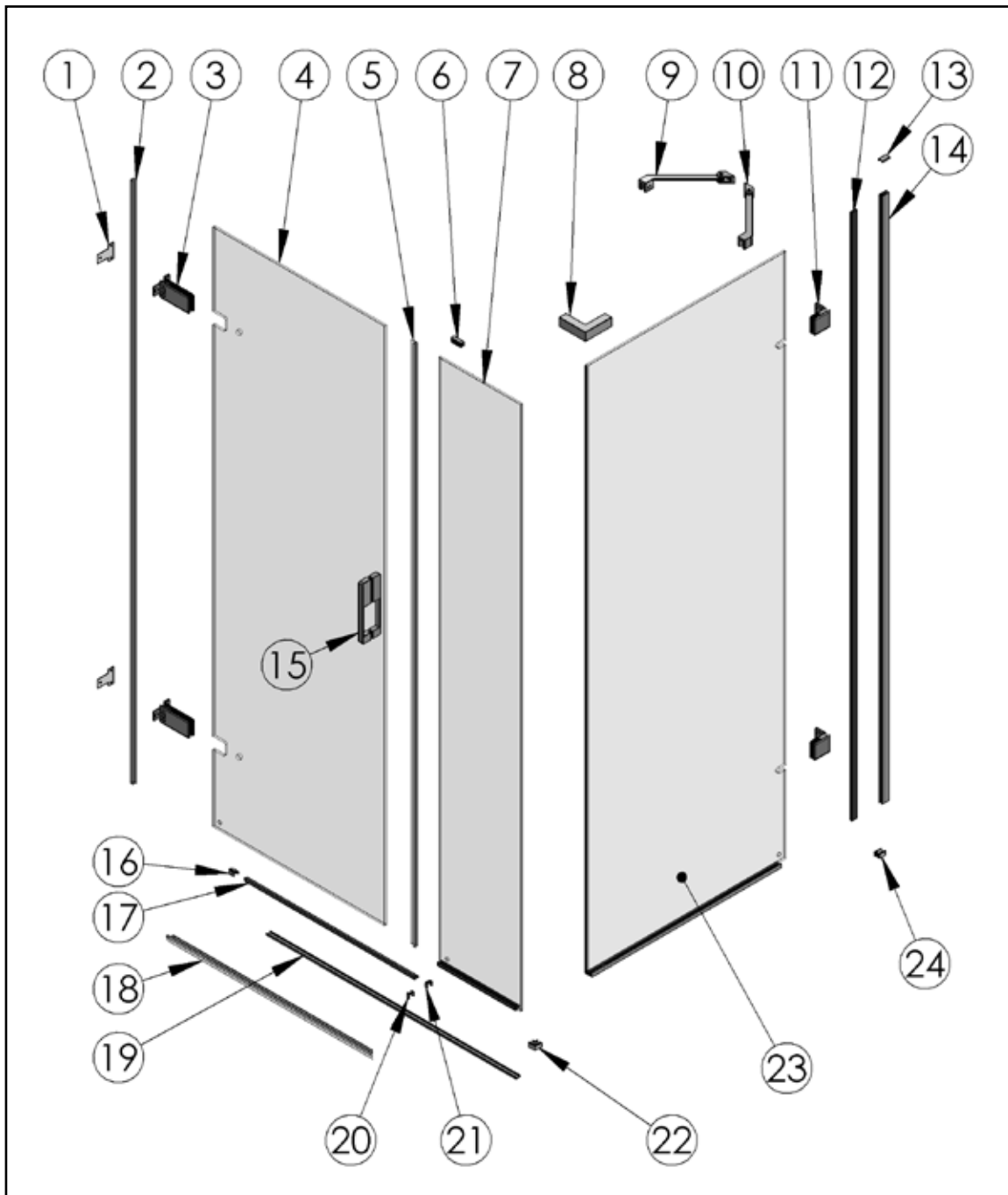
Step 9 - Bracing and Sealing



1. Place the Bracing on top of the Panel Glass and up to the tiled wall, use a Spirit Level to keep it horizontal.
2. Lightly mark the tiles around the Wall Bracket. Remove the Bracing.
 - **NOTE: Place masking tape where the Wall Bracket is to go as it will protect the tiles and aid in marking.**
3. Remove the Wall Bracket from the Bracing Assembly. Place the Wall Bracket over the pencil mark and mark the hole positions
4. Drill the hole positions using a 6mm Masonry Drill (not supplied) and fit the Wall Plugs.
5. Fit the Wall Bracket to the tiled wall using the screws supplied.
6. Place the Bracing onto the top of the Panel Glass and into the Wall Bracket and re-assemble.
7. Ensure that the gaskets are between the Glass and Bracing then fully tighten all screws in the Bracing.
8. Lift the Wall to Dam Joint and place a bead of silicon to the base, add a bead of silicon the the inside of the Wall to Dam Joint at the side that goes over the rails and refit.
9. Place a bead of silicon around the top of the Corner Joint and up the sides.
10. Place a bead of silicon around the top of the Wall to Dam Joint, up the sides and to the wall.
11. Place a bead of silicon around the top of the Dam to Profile Joint and up the sides.
12. Seal the base of the enclosure horizontally on the outside only.
13. Seal the Side Panel Wall Profile about 50mm up from the tray on the outside only.

Spare Parts

If you need to replace any damaged parts please see illustration below for parts list then call Customer Relations on 01325 328033



IMPORTANT

On ordering items please state what finish your product is i.e. Silver, Nickel or Black.

Part No.	Description	Qty	Part No.	Description	Qty	Part No.	Description	Qty
1	"T" Shaped Gaskets	6	11	Wall Brackets	2	21	Blanking End (Right Hand)	1
2	Bubble Seal	1	12	Panel Assembly	1	22	Bottom Corner Joint	1
3	Hinge Assemblies	2	13	Foam Seal	1	23	Side Panel Assembly	1
4	Door Glass	1	14	Panel Profile	1	24	Dam to Profile Joint	1
5	Panel Vertical Seal	1	15	Handle Assembly	1	25		
6	Branding Badge	1	16	Dam to Wall Joint	1			
7	Inline Panel Assembly	1	17	Door Bottom Rail	1			
8	Top Corner Bracket	1	18	Door Bottom Seal	1			
9	Bracing Assembly (L-Hand)	1	19	Bottom Rail	1			
10	Bracing Assembly (R-Hand)	1	20	Blanking End (Left Hand)	1			

TROUBLE SHOOTING GUIDE

Problem	Solution
Leaking	<ol style="list-style-type: none">1. Check that the inside gap between the Tray and Wall profile has been sealed correctly.2. Ensure the tray is sealed along the tiled walls prior to installation.3. If the inside joint between the enclosure and the tray top is sealed, this will cause leakage - sealant must be removed.4. Ensure the Panel Profiles on the tiled walls are sealed vertically 50mm on the outside.5. Ensure the joint between the enclosure and tray top is sealed.6. Ensure that there are no gaps between the Panels at the corner. <p>Important: This enclosure should be water tested conforming to BS EN 14428</p>
Enclosure Alignment on the Tray	<ol style="list-style-type: none">1. Is the enclosure fitted onto a tiled wall?2. Is the wall profile completely vertical?
Door not operating correctly	<ol style="list-style-type: none">1. Ensure both Hinge Assemblies are completely vertical.2. Adjusting the Set screw on the inside of the Hinges can help.3. Ensure the tray is completely level.4. Check the bottom of the door is parallel to the top of the tray.
Door Alignment	<ol style="list-style-type: none">1. Ensure the Hinge Assemblies are completely vertical.2. Ensure the tray is completely level.3. Check the bottom of the door is parallel to the top of the tray.4. Check the Hinge Screws have been fully tightened to 10N/m.
Panel Alignment	<ol style="list-style-type: none">1. Ensure the tray is completely level.2. Check the Bracing and Top Corner Bracket are fitted correctly and are fully tightened.

Some important information to help you Maintain your product.

The following information is all you need to keep your product looking new.

Clean your product using a mild detergent diluted in water and then polished off using a soft cloth.

If you live in a hard water area, periodically clean your product using a 50/50 solution of white vinegar and water. The solution should be left on the enclosure for approximately 5 minutes then rinsed off using warm water. This method of cleaning should remove lime scale residue.

Simple Maintenance

Our products are generally maintenance free, however it may be necessary to lubricate wheel assemblies and other moving parts from time to time.

It is strongly recommended that a quality silicone spray is used.

A list of Don't's:

1. Don't use acidic based products which are unsuitable for cleaning enamel surfaces.
2. Don't use abrasive cleaners or cleaners using bleach or solvents, these products will adversely affect the finish of the aluminium profiles.
3. Don't use scouring pads, powder or any sharp instruments when cleaning the enclosure.

Should you experience any problems during installation please refer to the Trouble Shooting Guide or contact Customer Relations on:

+44 (0) 1325 328033

To enable customer relations to provide you with an excellent level of service it is important that you quote your product Code and Reference Number - these can be found on the Guarantee card.