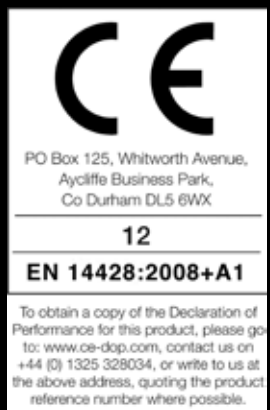


Hinge Door + Side Panel

Instruction Manual

KL+ KR



IMPORTANT INFORMATION

- Toughened glass is completely safe for use in our shower enclosures and bath screens; providing our products are installed according to our guidelines.
- It is important to note that the glass must not be mounted or 'pinched' in such a way that would cause a stress point to develop in the glass. In addition, it must not be subject to any sharp impact or severe temperature fluctuation which may also cause a stress point to develop in the glass.
- Toughened glass is physically and thermally significantly stronger than standard glass. During the toughening process the stresses contained within any glass are balanced so if in the unlikely event situation any of the above occurs and the glass breaks, the glass will shatter safely into small thumbnail sized blunt fragments.

PRE-INSTALLATION CHECKS

- Check you have the correct product. Please look at the labels on the side of the product packaging.
- Check all the product components are in the box and the fixing kits.
- Unpack your product and handle it with care.
- Please check the product for defects or damage, once the installation has commenced we cannot accept responsibility for any defects or damage.
- Please take time to read these instructions prior to installing your product.
- Before you commence any drilling check there are no hidden electrical cables and/or water pipes.
- No attempt should be made to re-work the toughened safety glass.
- The installation of the product should be performed by two persons.
- It is strongly recommended that the walls the product is going to be installed on are vertical.
- It is strongly recommended the product is fitted on a tiled surface or similar waterproof surface.
- It is strongly recommended the walls are tiled and grouted before the product is installed.
- If the walls and/or the tray are not level you will not achieve maximum adjustment of the product.
- Pictures used are for illustration purposes only, product designs may alter slightly as a result of continuing product development.
- We do not stipulate where the European Standard Kite Mark should be positioned on the glass when being factory assembled.
- Please note that some natural misting may occur when you remove this product from its packaging, due to the addition of the glass protection pre-coating. If this does occur this can easily be removed with a soft, dry cloth.

Equipment Check List: Not Supplied

Description
Electric / Battery Drill
Pozi Screwdriver
Sealant Gun / Sealant
Spirit Level (Large)
7mm Masonry Drill Bit
Tape Measure
Pencil
Torque Wrench
Stanley Knife / Snips
Masking Tape

Component Check List: Supplied

Description	Quantity
Wall Profile	1
Side Panel Glass	1
Hinges	2
Door Glass	1
Handle Assembly	1
Hinge Bubble Seal & Side Panel Seal	1 of each
Bottom Seal	1
Bottom Rail (Sloped)	1
Wall Profile Top Cap	1
Wall Brackets	2
Wall Brace Assembly (Left Hand)	1
Wall Brace Assembly (Right Hand)	1
Corner Joint (Left and Right Hand)	1 of each
Dam to Profile Joint & Wall to Dam Joint	1 of each

Fixing Kit Components

Quantity

Description	KL	KR
T Shaped Spacers	6	-
Door Setting Blocks	4	-
40mm long Csk Head Screws	-	5
Wall Plugs (Brown)	-	9
Branding Clip	1	-

CONSUMER GUARANTEE

Please make sure the purchaser/end user completes and returns the guarantee card which is enclosed with this product. Failure to validate the Guarantee will mean only the 1 Year Statutory Guarantee will apply.

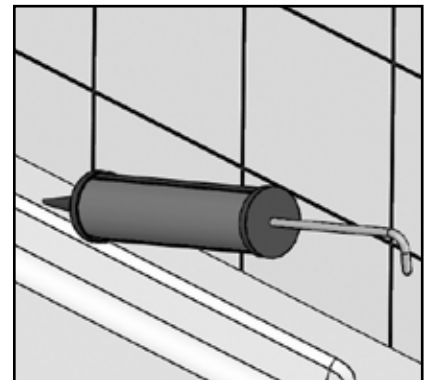
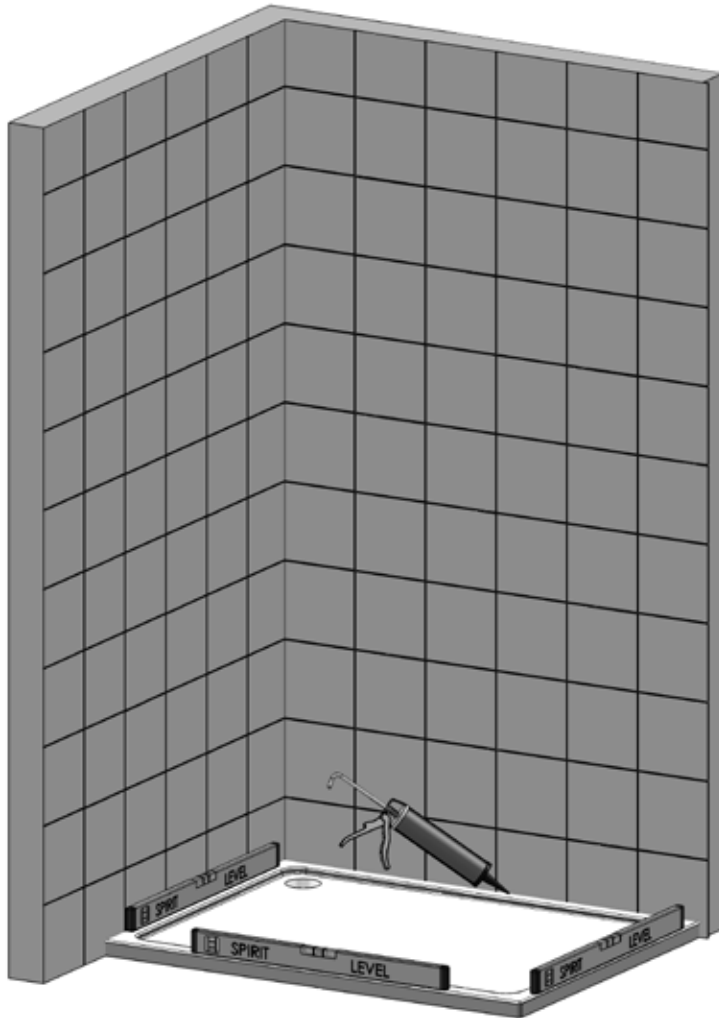
Step 1 - Pre-Installation Checks and Aperture Sizes

Door	Width
KL7613C	740
KL813C	780
KL913C	880
KL1013C	980

IMPORTANT: The above are finished tiled sizes

Side Panel	Minimum	Maximum
KR7613	733	747
KR813	773	787
KR913	873	887
KR1013	973	987

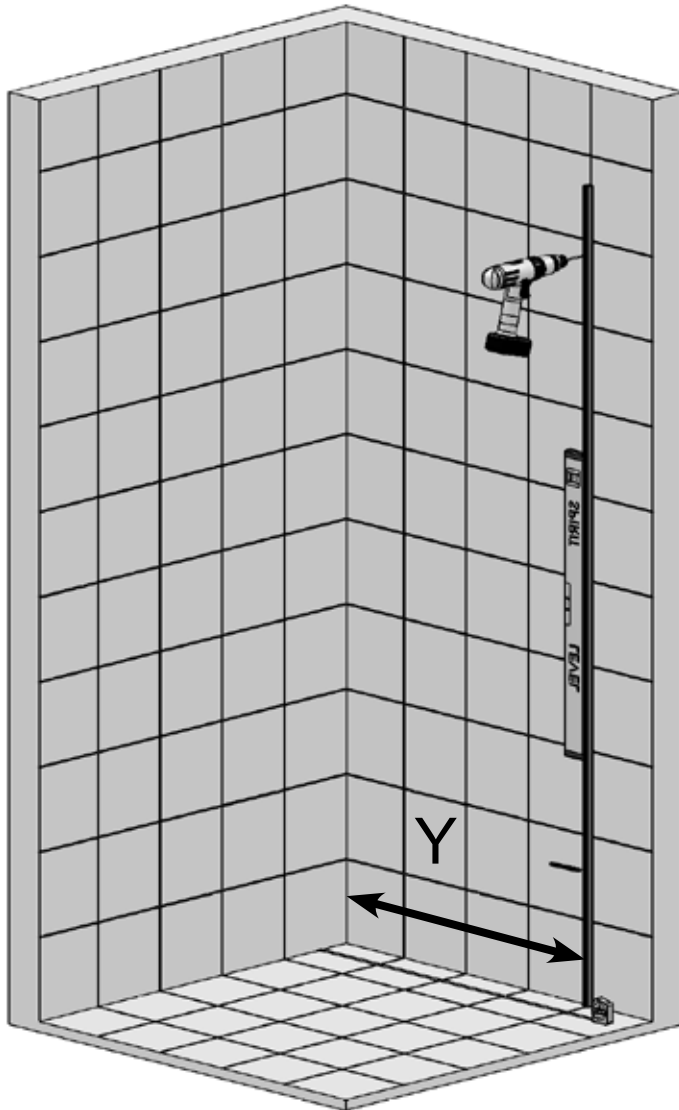
IMPORTANT: The above are finished tiled sizes



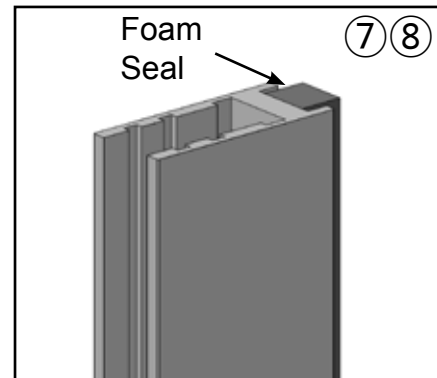
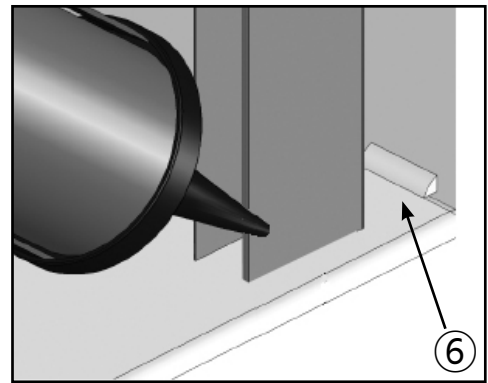
1. Check the tray is level on all sides (the bubble on the spirit level must be in the centre of the 2 lines).
2. Stand in the tray and check that there is no adverse movement (correct if necessary).
3. The walls should be tiled and grouted up to the tray.
4. The tiles and the tray should be sealed using a good quality bathroom sealant.
 - Spray the seal and joints with the shower head and check for leaks when the silicon has cured.
 - Check the plumbing for leaks.
 - DO NOT plasterboard over the tray.
 - DO NOT grout the tiles when the enclosure has been fitted, the grout may discolour the aluminium profiles.
 - Make sure the tray is installed as per the manufacturer's instructions.
 - When all of the above has been completed please proceed to the Step 2.

Step 2 - Panel Wall Profile Positions

IMPORTANT: Use the table below for the positioning of the Wall Profile. Note the dimensions given are from the tiled wall to the inside of the Wall Profile. Placing some Masking Tape on the Tiled Wall in the position where the Wall Profile is to go will not only help with marking out but will also help protect the tiles when drilling.

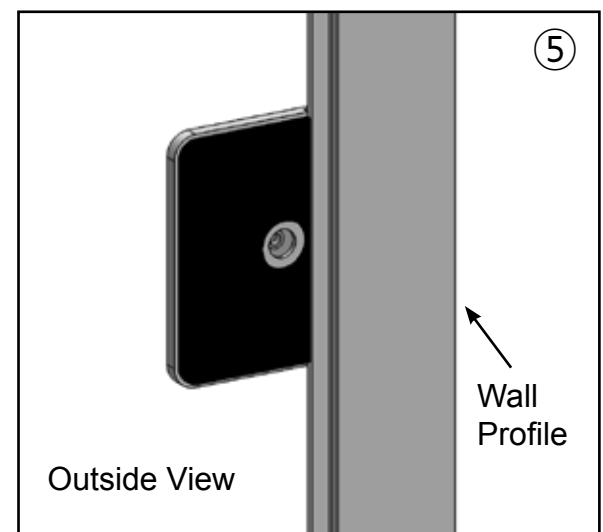
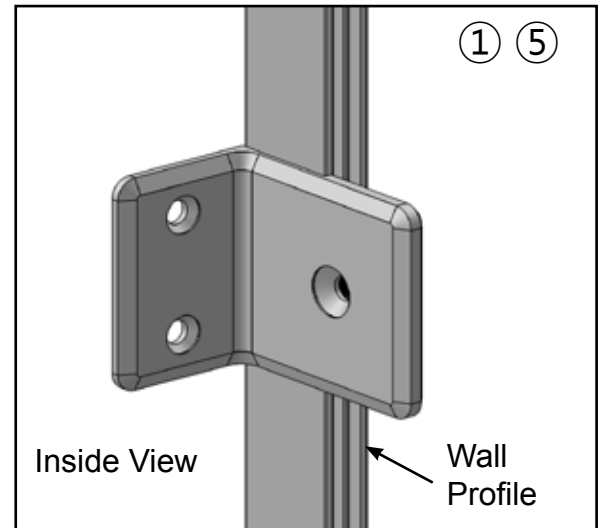
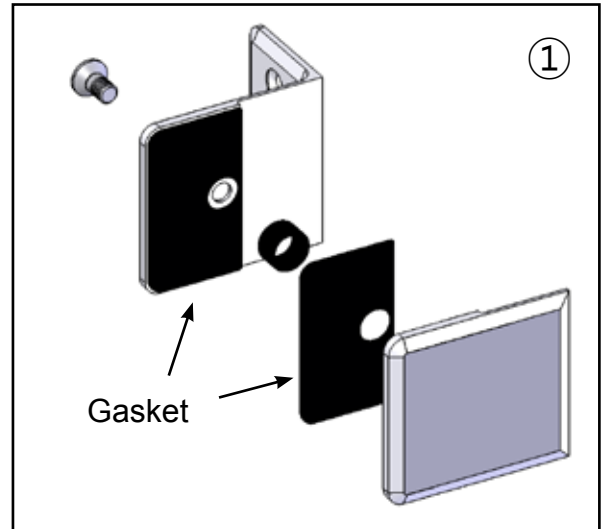
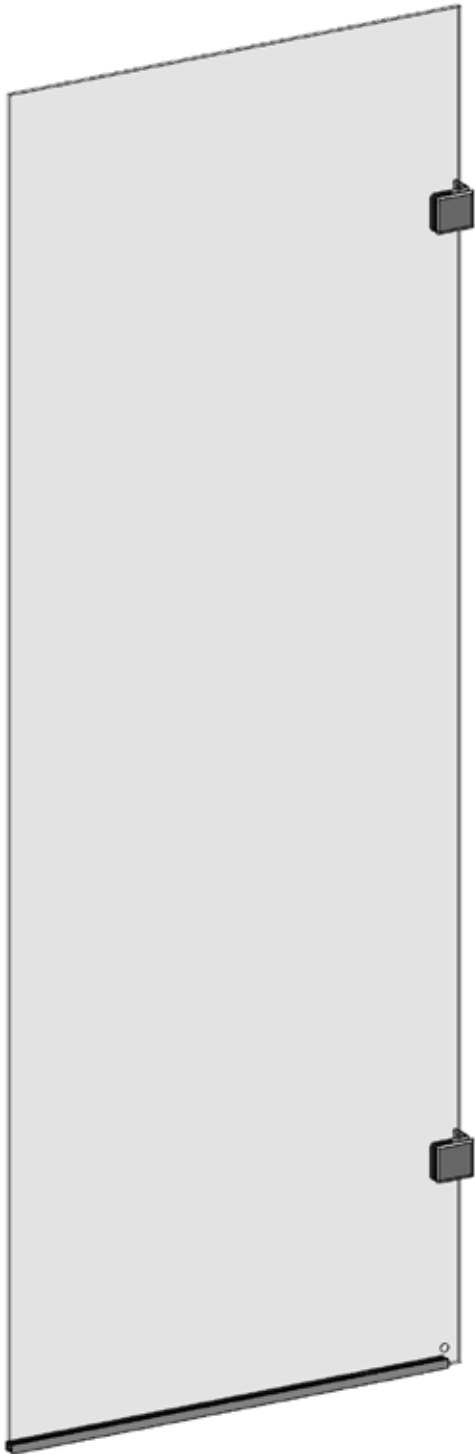


To Suit Door	Dimension Y
KL7613C	727
KL813C	767
KL913C	867
KL1013C	967



- Using the table above mark the wall at the required distance (dimension "Y") to suit your door size.
- Place a Spirit Level onto the pencil mark and add a pencil line fully up the wall.
 - IMPORTANT: You MUST ensure that the Spirit Level is completely vertical when marking the wall.**
- Place the inside of the Wall Profile onto the pencil line making sure that it is fully vertical.
- Mark the wall through the holes in the Wall Profile.
- Drill the wall with a 7mm masonry drill (not supplied). Remove the Masking Tape and fit the Wall Plugs and remove any debris.
- Apply a bead of sealant the width of the Panel Profile where it meets the top of the tray and the tiled wall.
- Place the Wall Fixing screws into the holes in the Panel Profile, carefully move the Foam Seal to one side to allow the screws through if required.
 - IMPORTANT: DO NOT remove the Foam Seal.**
- Line up the screws with the holes in the Wall and tighten all the screws.
 - NOTE: Tighten the screws evenly, ensure the Foam Seal does NOT protrude out from the Panel Profile.**

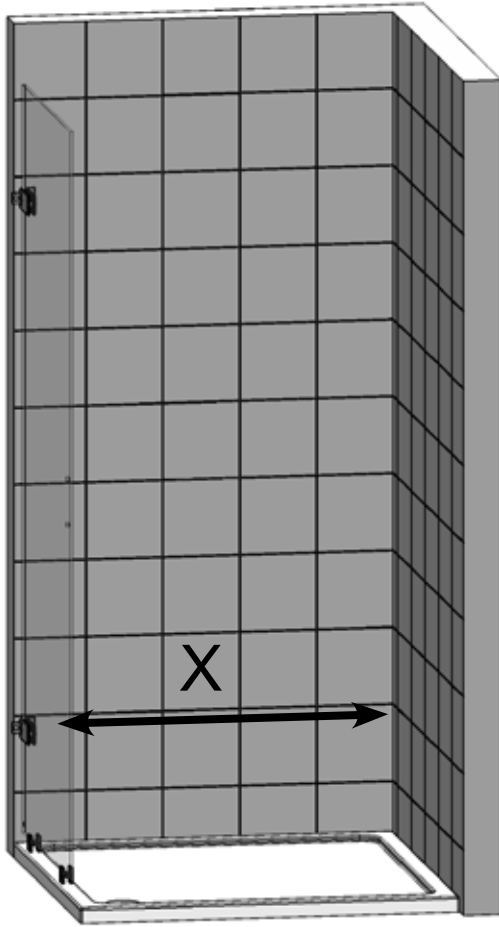
Step 3 - Panel Wall Bracket Positions



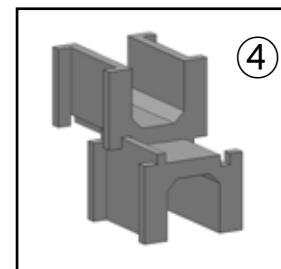
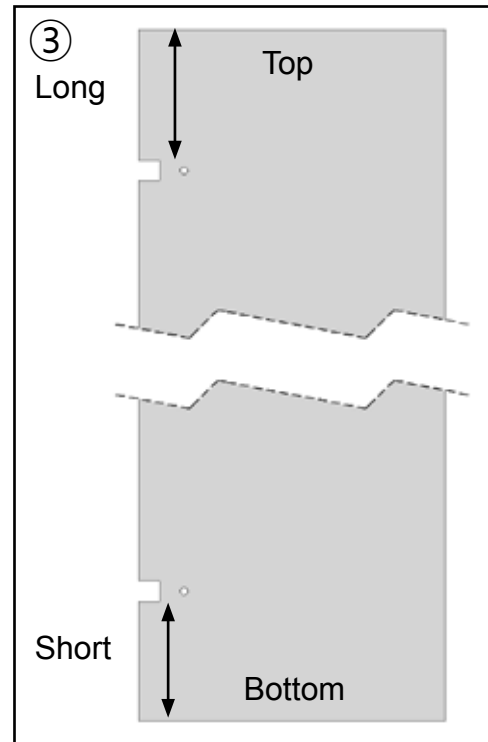
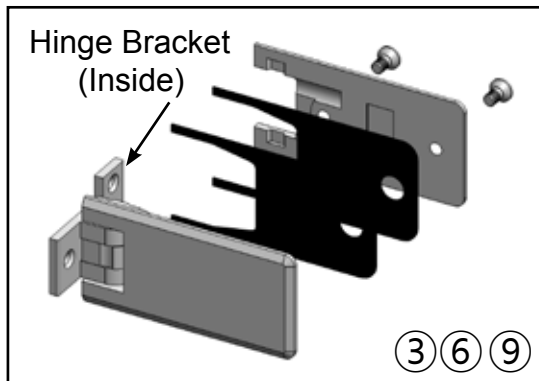
1. Dismantle the Wall Brackets and fit onto the Panel Glass ensuring that all gaskets are fitted. Ensure that the brackets are fitted the correct way (screws to the inside).
2. Carefully lift the Panel into the Wall Profile and up to the wall.
3. Mark the wall through the holes in the Brackets using a pencil. Remove the Panel.
4. Drill the wall with a 7mm masonry drill (not supplied). Fit the Wall Plugs and remove any debris.
5. Remove the brackets from the Panel and fasten the inside bracket to the wall and over the Wall Profile.

Step 4 - Door Hinge Positions

IMPORTANT: Use the table below for positioning of the Door Hinges. Note the dimensions given are from the tiled wall to the inside of the Door Hinge Bracket (see image below). Placing some Masking Tape on the Tiled Wall in the position where the Hinge is to go will not only help with marking out but will also help protect the tiles when drilling.



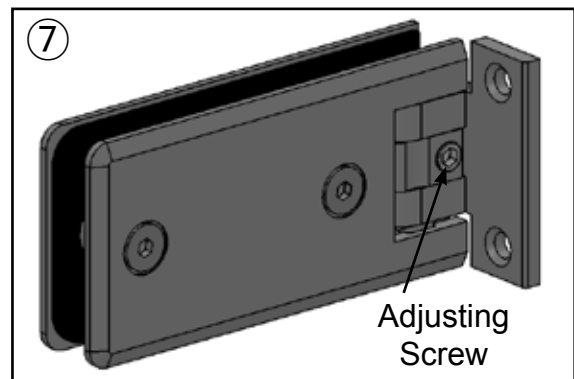
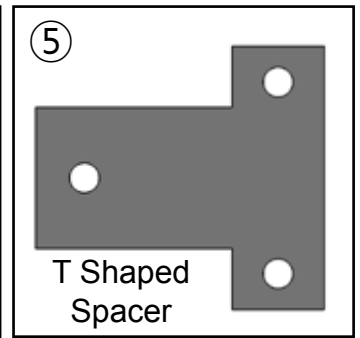
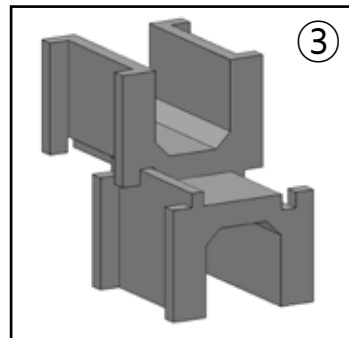
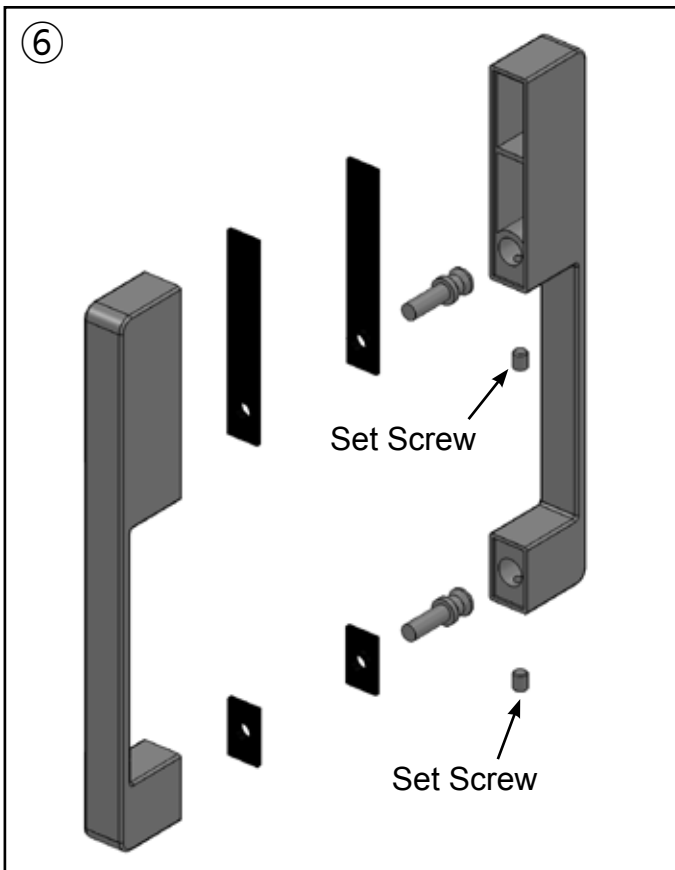
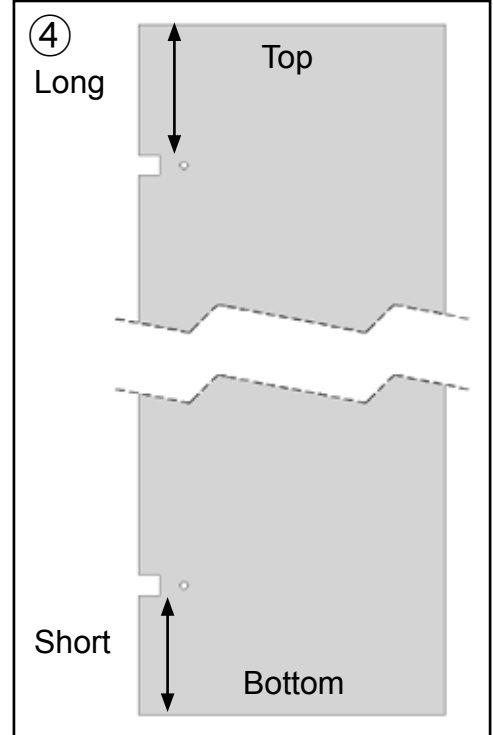
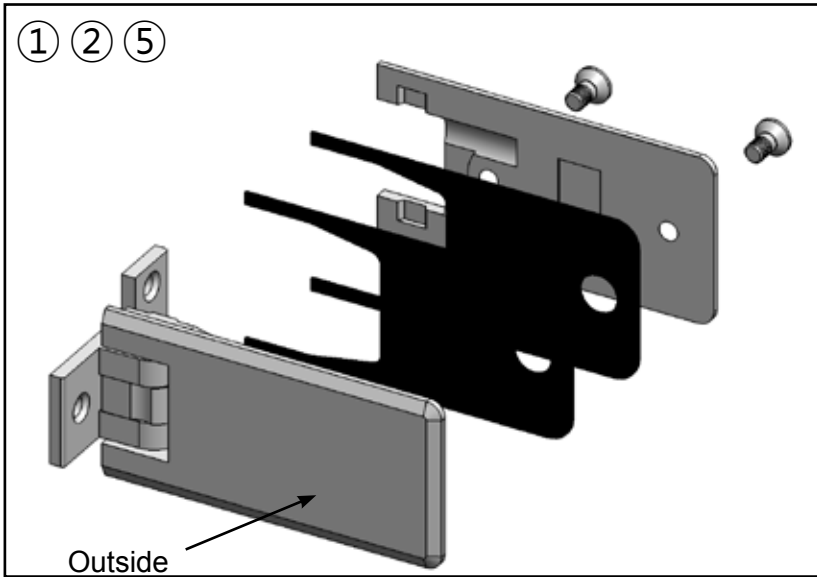
To Suit Side Panel	Dimension X
KR7613	702
KR813	742
KR913	842
KR1013	942



- Using the table above mark the wall at the required distance (dimension "X") to suit your Panel size.
- Place a Spirit Level onto the pencil mark and add a pencil line fully up the wall.
 - IMPORTANT: You MUST ensure that the Spirit Level is completely vertical when marking the wall.**
- Make sure you have the Door Glass the correct way then carefully dismantle the Door Hinge Assemblies and fit to the glass ensuring all gaskets are fitted.
 - Note: There are 2 gaskets on either side of the glass.**
- Take the Red Door Setting Blocks and slide them together to create 2 small assemblies. Position them on the tray where the Door is going to go.
- Lift the Door assembly onto the Red Setting Blocks and up to the wall.
- Line the inside of the Hinge Bracket onto the pencil line ensuring it is kept completely vertical.
- Mark the wall through the holes in the Hinge Bracket.
- Remove the Door Assembly then drill the wall with a 7mm masonry drill (not supplied). Remove the Masking Tape and fit the Wall Plugs and remove any debris.
- Carefully remove the Hinge Assemblies from the Door Glass.
 - IMPORTANT: We recommend that 2 people do the operations as shown above.**

Step 5 - Fitting the Door

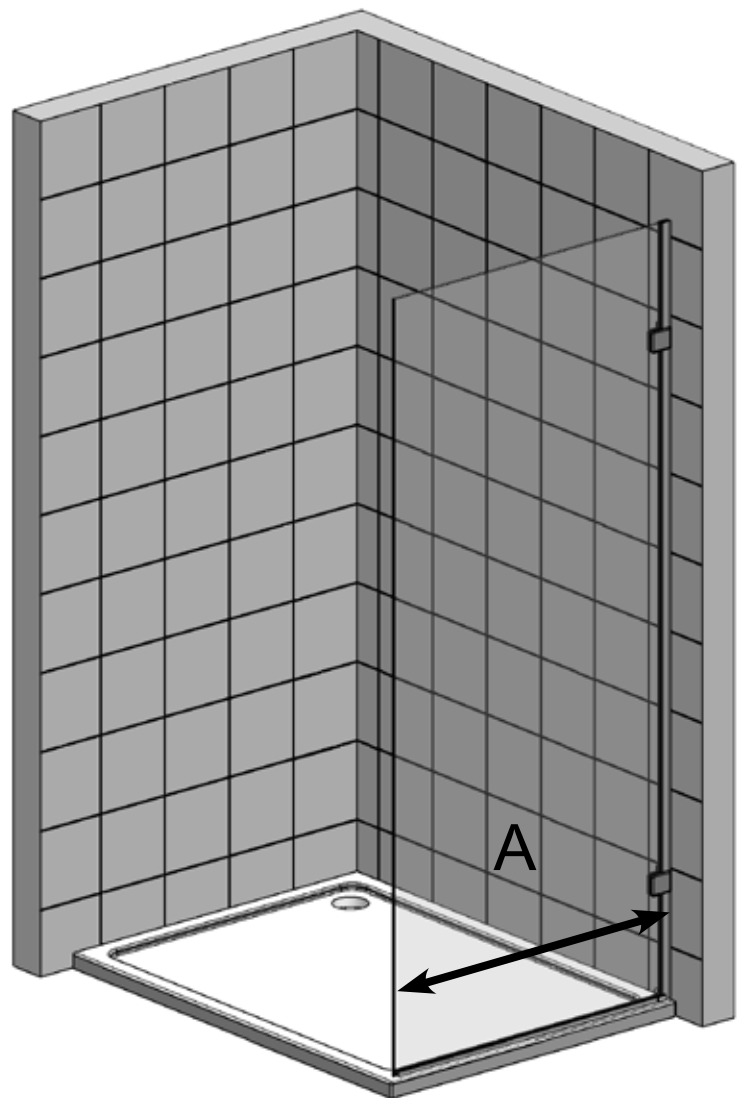
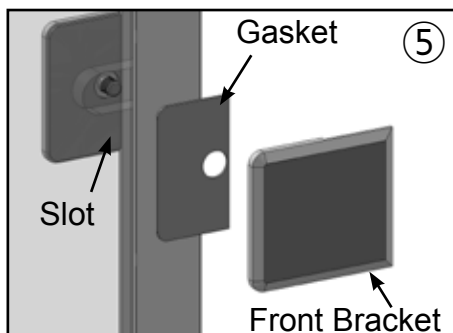
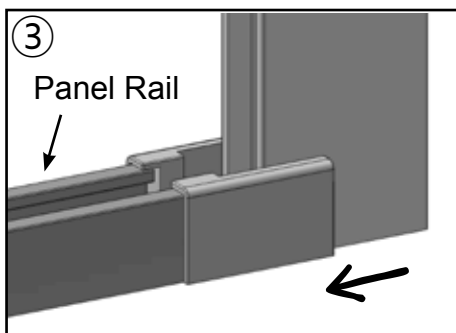
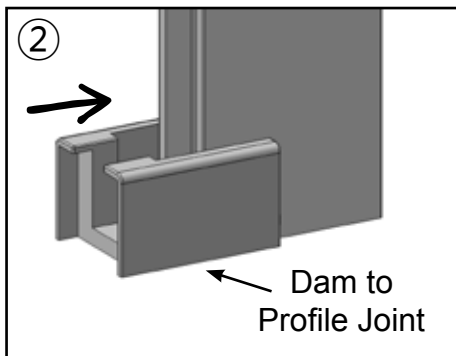
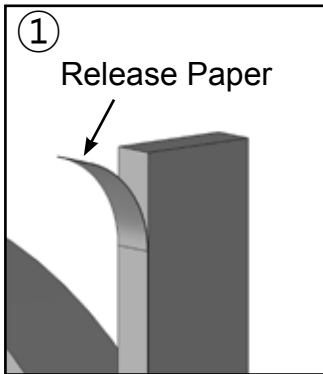
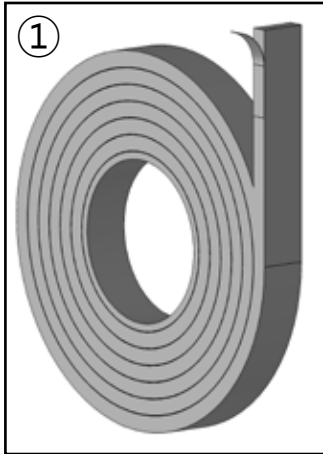
Note: We recommend 2 people carry out the procedures below. Fitting the Handle early will help with lifting.



1. Fasten the Hinges to the wall using the countersink screws supplied.
2. Remove the screws from the back of the hinges and remove the back plate and 2 gaskets on each hinge.
3. Take the Red Door Setting Blocks and slide them together to create 2 small assemblies. Position them on the tray where the Door is going to go.
4. With the Door Glass the correct way round offer it onto the Hinges and onto the Red Setting Blocks.
5. Replace the gaskets and back plates onto the Hinges and fully tighten the countersink screws.
 - **Note: There are 2 gaskets on either side of the glass.**
 - **Note: Included with the product are 6 "T" Shaped spacers. These are intended to help with out of true walls.**
 - **IMPORTANT: Tighten the 4 Hinge fixing screws to 10N/m using a torque wrench.**
6. Remove the Handle Assembly from it's packaging and reassemble onto the Door Glass, ensure that the set screws are fitted on the inside of the Door and all gaskets are used between the glass and metal parts.
7. The Hinges can be adjusted inward or outward. Loosen the Adjusting Screw, move the Door to the desired position then tighten the Adjustment Screw.

Step 6 - Fitting the Side Panel

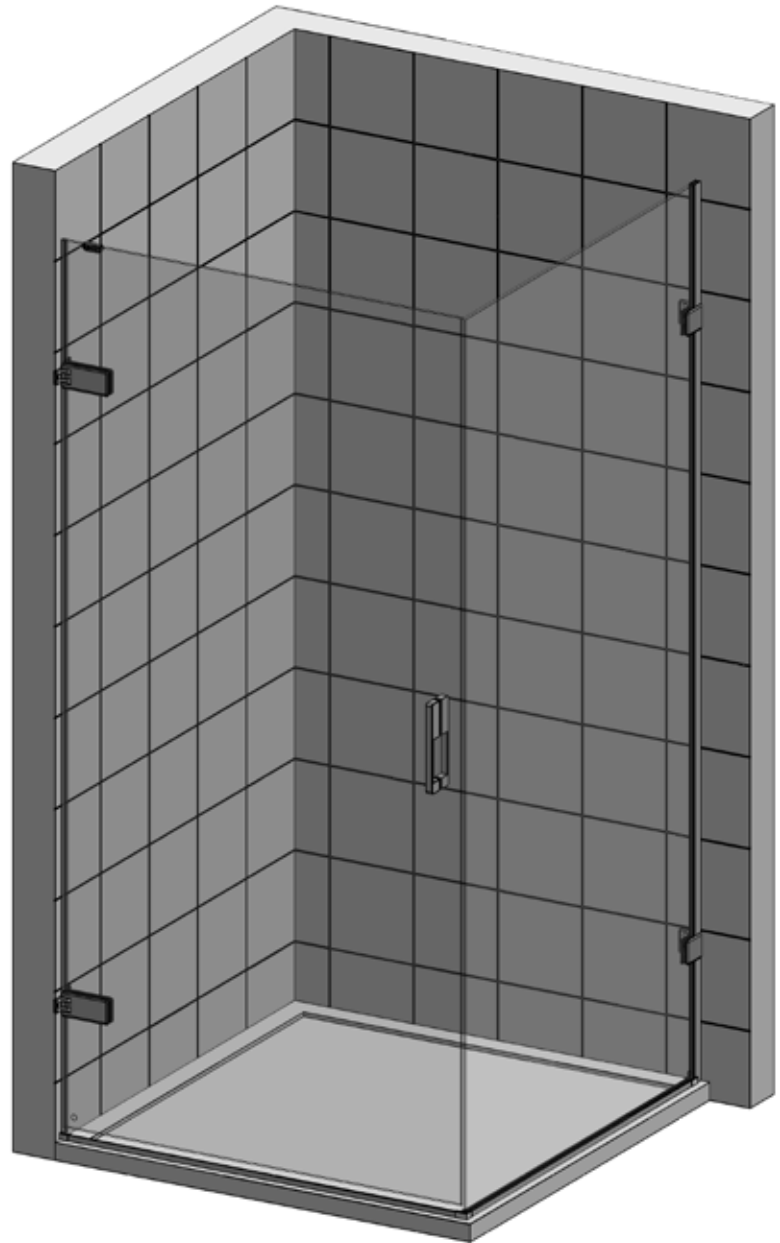
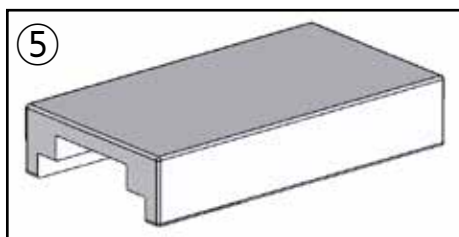
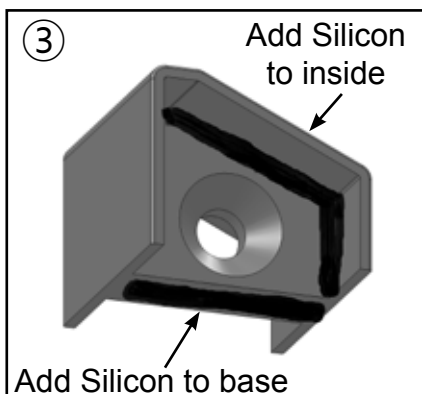
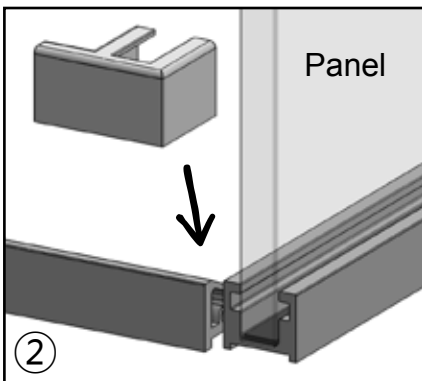
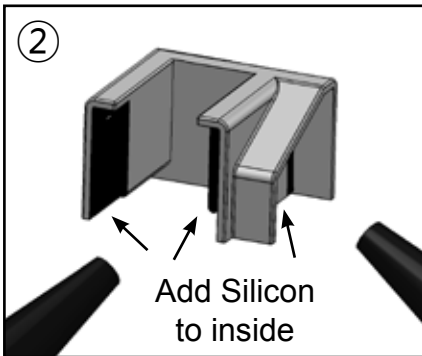
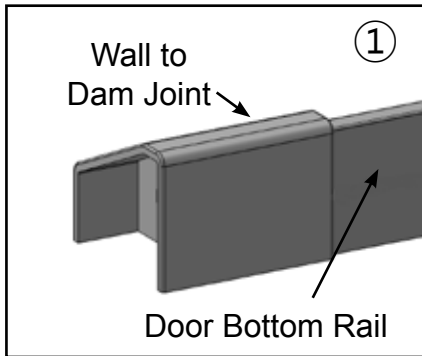
Note: We recommend 2 people carry out the procedures below.



Side Panel	Dimension A
KR7613	738
KR813	778
KR913	878
KR1013	978

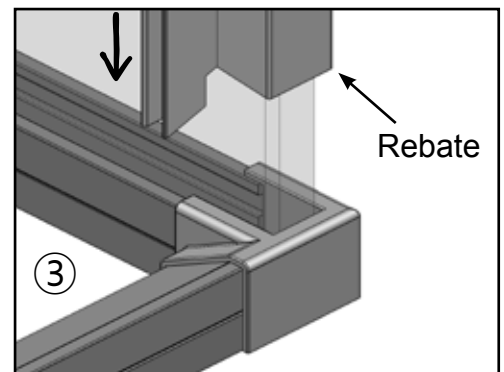
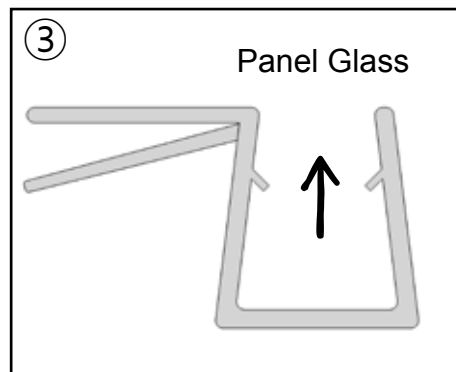
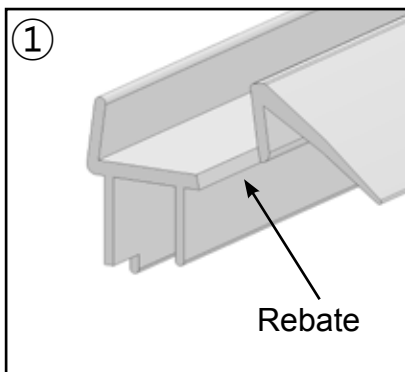
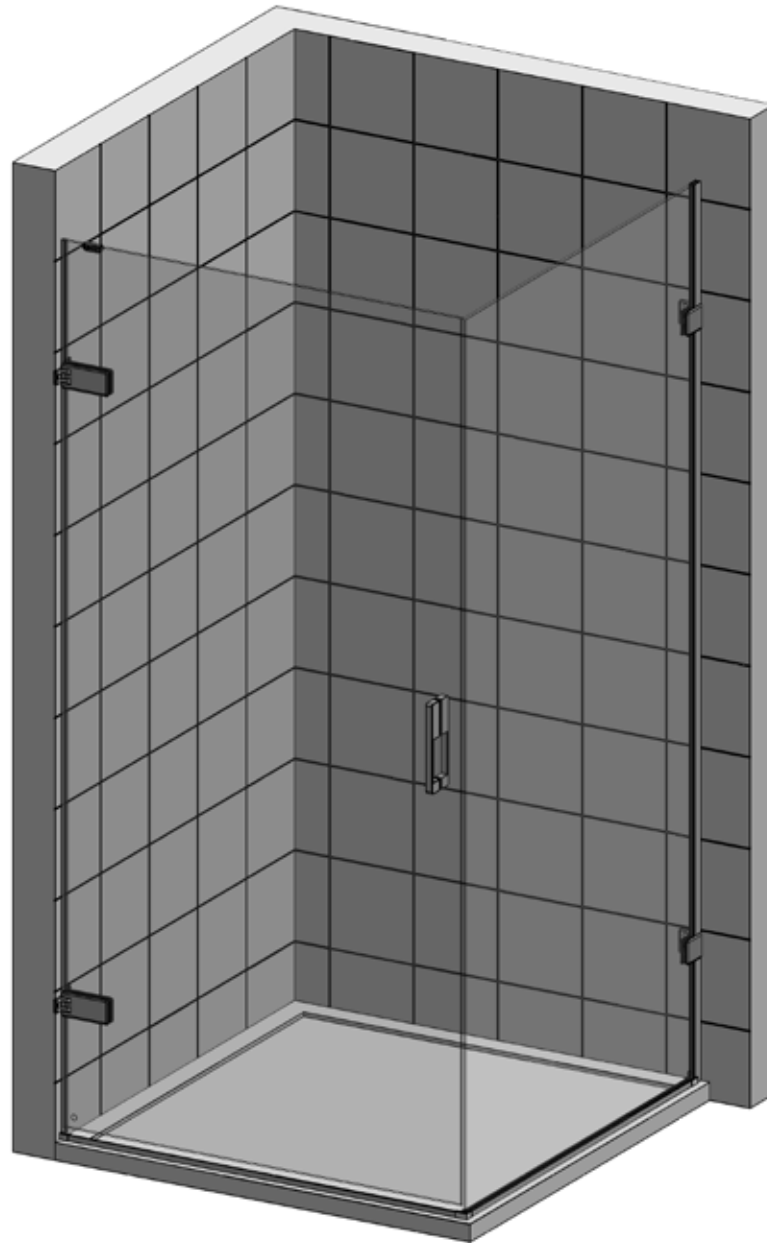
- Place the Foam Seal to the inside of the Panel Profile and push it in up to the screws, ensure it touches the top of the tray. Remove the release paper from the Tape at the top and attach it to the inside to stop the Foam Seal from dropping.
 - IMPORTANT: Let the Foam Seal fall freely down the channel, DO NOT stretch.**
- Place the Dam to Profile Joint over the Panel Profile at the bottom and push to the wall.
- Place the Panel Assembly into the Panel Profile. The outer edge of the glass should be set to the required dimension "A" (see table) from the back wall.
- Attach the front of the Wall Brackets to the already fitted Brackets and tighten, ensure that the gaskets are placed between the Brackets and glass.
- Ensure that the glass is completely vertical using a Spirit Level and has not moved from Dimension "A" then fully tighten the Wall Brackets.

Step 6 - Fitting the Panel Cont...



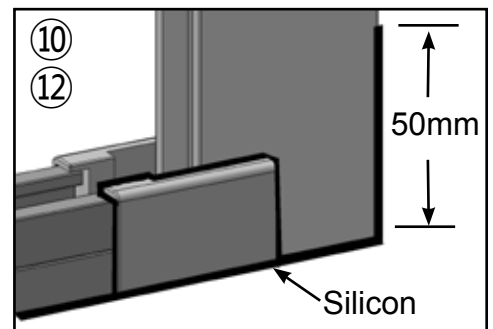
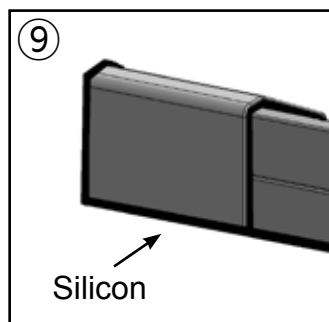
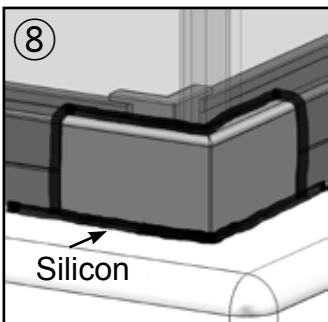
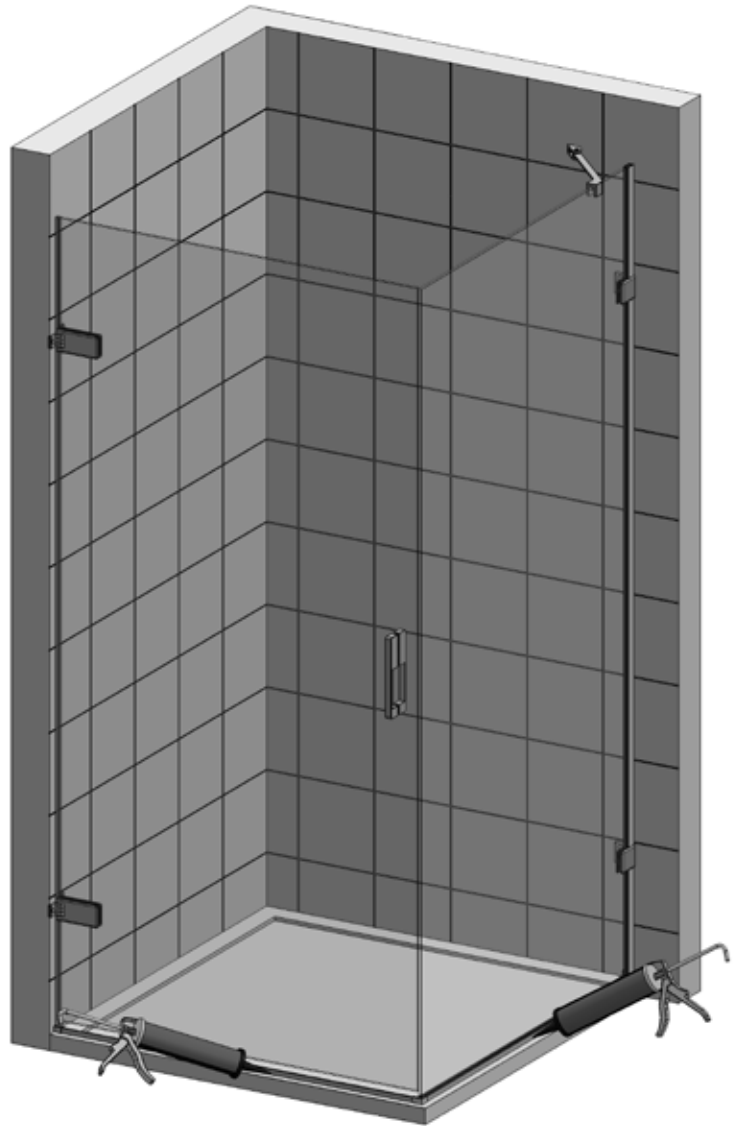
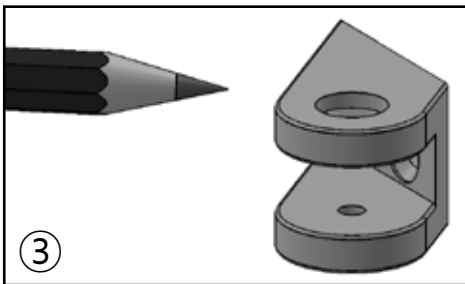
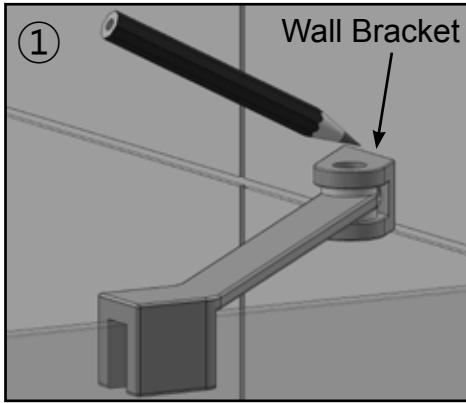
1. Place the Wall to Dam Joint over the Door Bottom Rail at the Door side and fit the Corner Joint at the Panel side. Ensure that the Wall to Dam Joint butts up to the tiled wall and the Corner Joint fits over the Panel aluminium (if required slide the rail along to achieve this). Check the Panel and Door Bottom Rail are parallel to the tray and the slope faces inward towards the shower.
2. Apply a small bead of silicon the the underside of the Bottom Rail Corner Joint (select the correct handing) where the bottom rails go (both sides) and fit over both sets of bottom rails at the corner.
3. Lift the Wall to Dam Joint and place a bead of silicon to the base, add a bead of silicon the the inside of the Wall to Dam Joint at the side that goes over the rails and refit.
4. Check the Panel and the Door Bottom Rails are still parallel to the outside of the tray making sure that the Bottom Rail Corner Joint is fitted correctly over the rails (move the Panel if required).
5. Fit the Top Cap to the top of the Side Panel Profile.
6. Fit the Branding Clip to the top of the Door Glass using a small amount of silicon to hold in place.

Step 7 - Fitting the Seals



1. The Bottom Seal requires a rebate at one end only (Handle side). Fit the Bottom Seal so that the rebated end is level with the glass at the Handle side of the door and cut it to length so that it butts up to the Hinge Vertical Extrusion when the Door is closed. Push fully onto the glass.
 - **NOTE: With the Door closed measure from the Hinge Vertical Extrusion to the end of the glass.**
2. Fit the Bubble Seals to the Hinge Side of the Door Glass, trim as required.
 - **NOTE: The lower seal should sit as close to the top of the Wall to Dam Joint as possible.**
3. Select the correct hand of the Side Panel Seal and fit onto the end of the Panel. Ensure the rebate sits on top of the Corner Joint and the flippers go down on the inside.

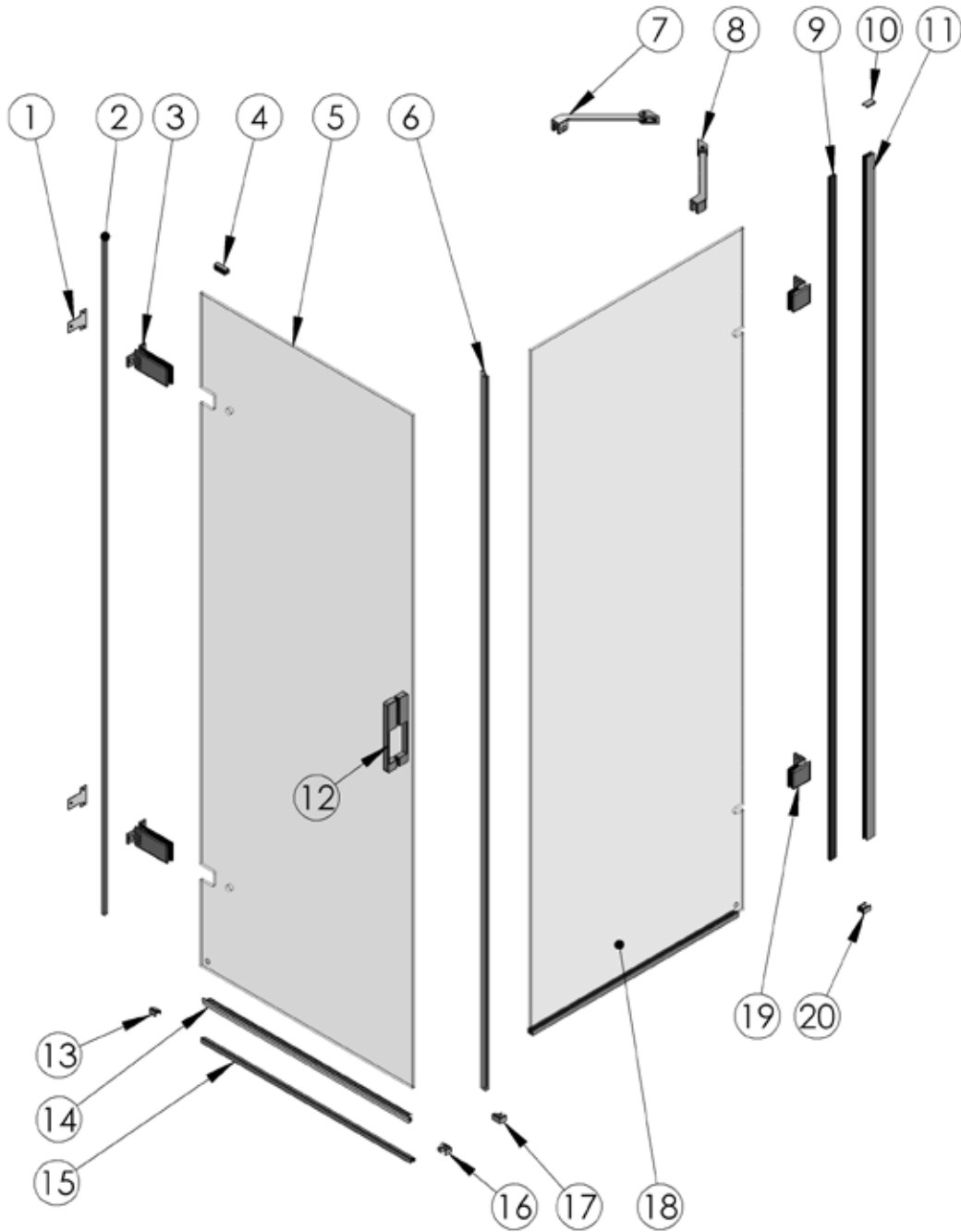
Step 8 - Bracing and Sealing



1. Place the Bracing on top of the Panel Glass and up to the tiled wall, use a Spirit Level to keep it horizontal.
2. Lightly mark the tiles around the Wall Bracket. Remove the Bracing.
 - **NOTE: Place masking tape where the Wall Bracket is to go as it will protect the tiles and aid in marking.**
3. Remove the Wall Bracket from the Bracing Assembly. Place the Wall Bracket over the pencil mark and mark the hole positions
4. Drill the hole positions using a 6mm Masonry Drill (not supplied) and fit the Wall Plugs.
5. Fit the Wall Bracket to the tiled wall using the screws supplied.
6. Place the Bracing onto the top of the Panel Glass and into the Wall Bracket and re-assemble.
7. Ensure that the gaskets are between the Glass and Bracing then fully tighten all screws in the Bracing.
8. Place a bead of silicon around the top of the Corner Joint and up the sides.
9. Place a bead of silicon around the top of the Wall to Dam Joint, up the sides and to the wall.
10. Place a bead of silicon around the top of the Dam to Profile Joint and up the sides.
11. Seal the base of the enclosure horizontally on the outside only.
12. Seal the Side Panel Wall Profile about 50mm up from the tray on the outside only.

Spare Parts

If you need to replace any damaged parts please see illustration below for parts list then call Customer Relations on 01325 328033



IMPORTANT

On ordering Items please state what finish your product is i.e. Silver, Nickel or Black.

Part No.	Description	Qty	Part No.	Description	Qty	Part No.	Description	Qty
1	"T" Shaped Gaskets	6	11	Panel Profile	1	21		
2	Bubble Seal	1	12	Handle Assembly	1	22		
3	Hinge Assemblies	2	13	Dam to Wall Joint	1	23		
4	Branding Badge	1	14	Door Bottom Seal	1	24		
5	Door Glass	1	15	Door Bottom Rail	1	25		
6	Panel Vertical Seal	1	16	Bottom Corner Joint (L-H)	1			
7	Bracing Assembly (L-Hand)	1	17	Bottom Corner Joint (R-H)	1			
8	Bracing Assembly (R-Hand)	1	18	Panel Assembly	1			
9	Foam Seal	1	19	Wall Brackets	2			
10	Top Cap	1	20	Dam to Profile Joint	1			

TROUBLE SHOOTING GUIDE

Problem	Solution
Leaking	<ol style="list-style-type: none">1. Check that the inside gap between the Tray and Wall profile has been sealed correctly.2. Ensure the tray is sealed along the tiled walls prior to installation.3. If the inside joint between the enclosure and the tray top is sealed, this will cause leakage - sealant must be removed.4. Ensure the joint between the enclosure and tray top is sealed.5. Ensure that there are no gaps between the Panels at the corner. <p>Important: This enclosure should be water tested conforming to BS EN 14428</p>
Enclosure Alignment on the Tray	<ol style="list-style-type: none">1. Is the enclosure fitted onto a tiled wall?2. Is the wall profile completely vertical?
Door not operating correctly	<ol style="list-style-type: none">1. Ensure both Hinge Assemblies are completely vertical.2. Adjusting the Set screw on the inside of the Hinges can help.3. Ensure the tray is completely level.4. Check the bottom of the door is parallel to the top of the tray.
Door Alignment	<ol style="list-style-type: none">1. Ensure the Hinge Assemblies are completely vertical.2. Ensure the tray is completely level.3. Check the bottom of the door is parallel to the top of the tray.4. Check the Hinge Screws have been fully tightened to 10N/m.
Panel Alignment	<ol style="list-style-type: none">1. Ensure the tray is completely level.2. Check the Bracing is fitted correctly and are fully tightened.

Some important information to help you Maintain your product.

The following information is all you need to keep your product looking new.

Clean your product using a mild detergent diluted in water and then polished off using a soft cloth.

If you live in a hard water area, periodically clean your product using a 50/50 solution of white vinegar and water. The solution should be left on the enclosure for approximately 5 minutes then rinsed off using warm water. This method of cleaning should remove lime scale residue.

Simple Maintenance

Our products are generally maintenance free, however it may be necessary to lubricate wheel assemblies and other moving parts from time to time.

It is strongly recommended that a quality silicone spray is used.

A list of Don't's:

1. Don't use acidic based products which are unsuitable for cleaning enamel surfaces.
2. Don't use abrasive cleaners or cleaners using bleach or solvents, these products will adversely affect the finish of the aluminium profiles.
3. Don't use scouring pads, powder or any sharp instruments when cleaning the enclosure.

Should you experience any problems during installation please refer to the Trouble Shooting Guide or contact Customer Relations on:

+44 (0) 1325 328033

To enable customer relations to provide you with an excellent level of service it is important that you quote your product Code and Reference Number - these can be found on the Guarantee card.