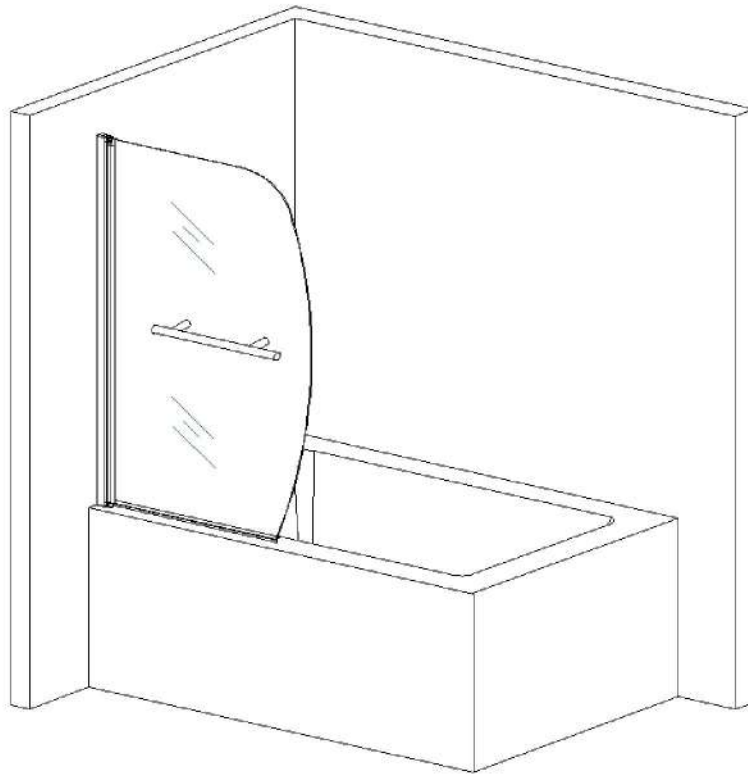


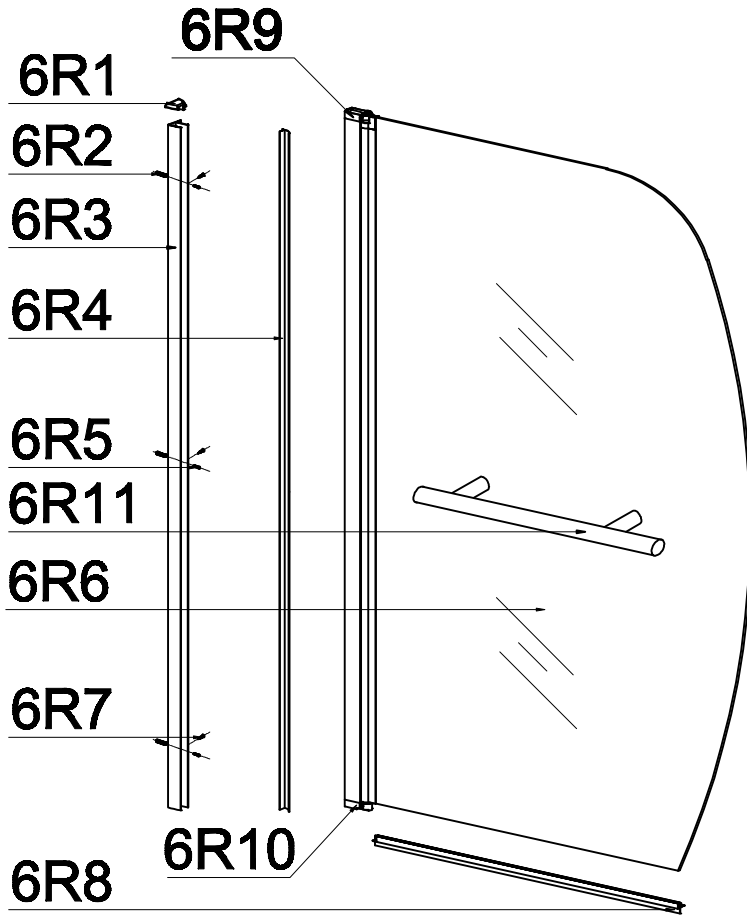
# INSTALLATION MANUAL

**Eastbrook**

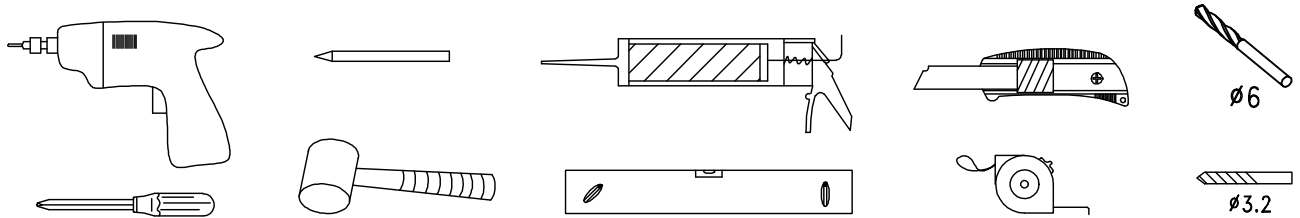
Eastbrook Road, Gloucester GL4 3DB  
Technical Helpline: 01452 317890  
email: technical@eastbrookco.com

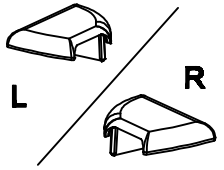
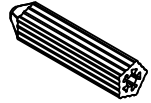
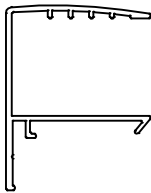
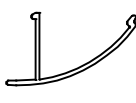
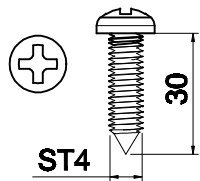
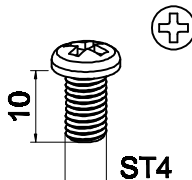
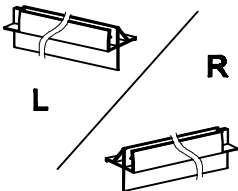
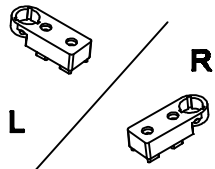
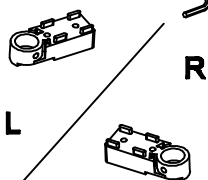
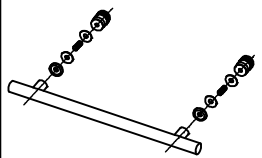
Eastbrook Code	Adjustment	Eastbrook Code	Adjustment
69.701	740-760		

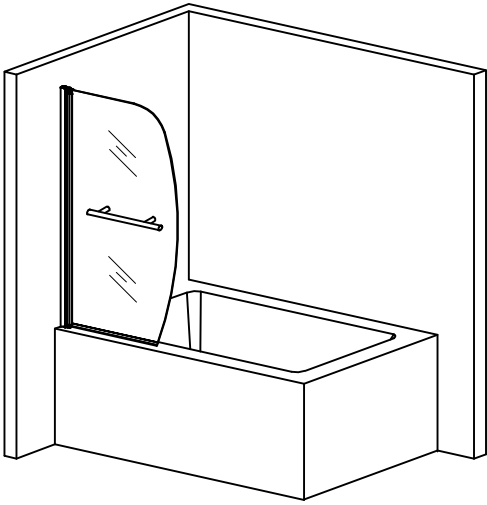
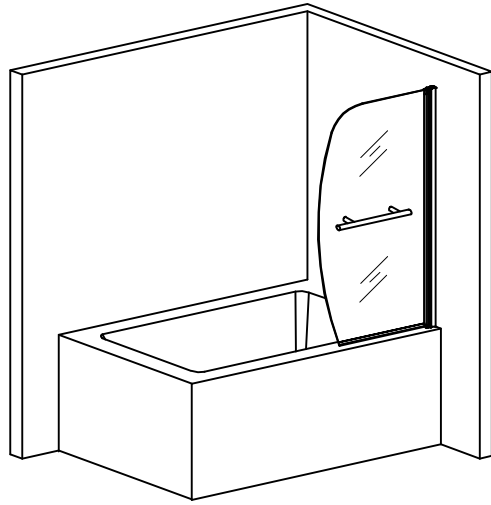
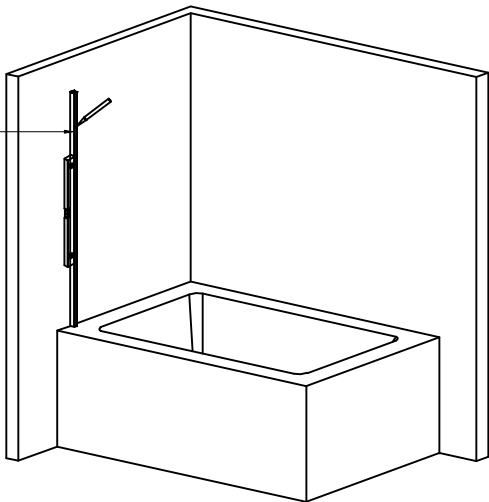
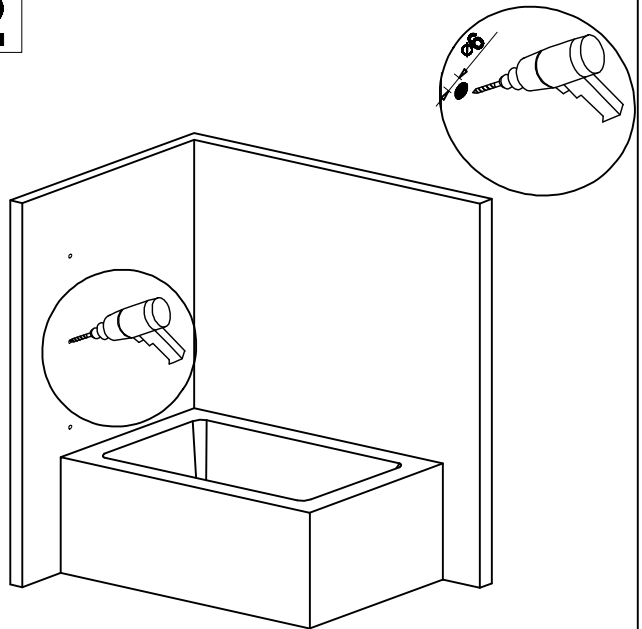




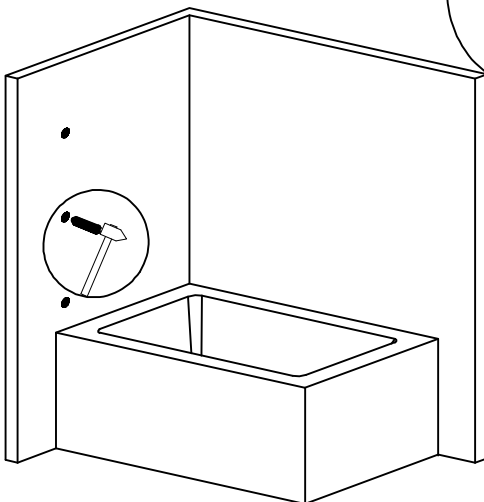
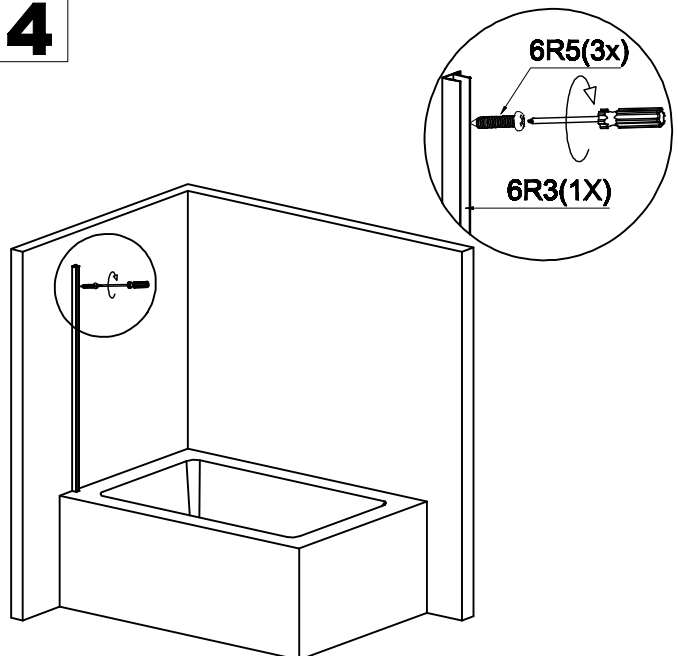
This product should only be fixed by a fully qualified installer



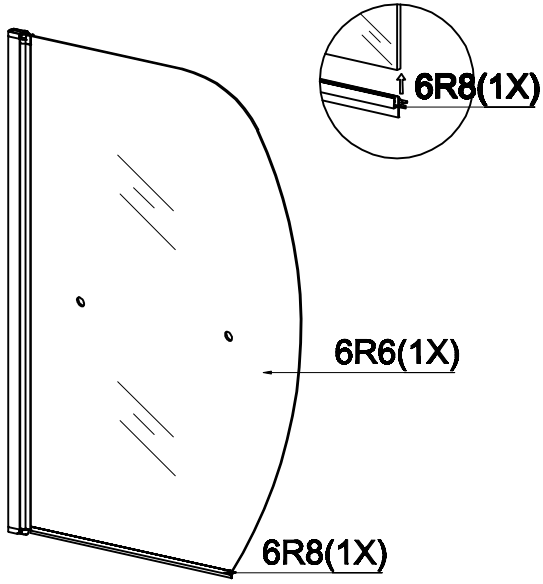
<p><b>6R1</b></p>  <p>2X</p>	<p><b>6R2</b></p>  <p>3X</p>	<p><b>6R3</b></p>  <p>1X</p>	<p><b>6R4</b></p>  <p>1X</p>	<p><b>6R5</b></p>  <p>3X</p>
<p><b>6R7</b></p>  <p>3X</p>	<p><b>6R8</b></p>  <p>2X</p>	<p><b>6R9</b></p>  <p>2X</p>	<p><b>6R10</b></p>  <p>2X</p>	<p><b>6R11</b></p>  <p>1X</p>

**L****R****1****6R3(1X)****2**

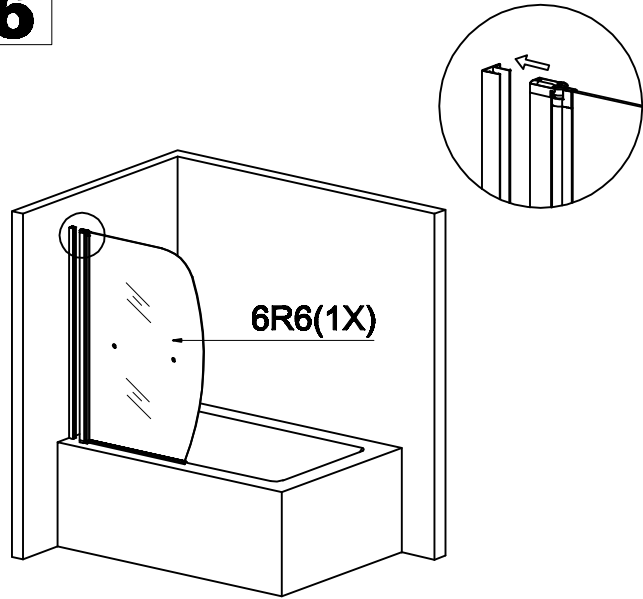
Dry fit required for best position to connect wall profile

**3****6R2(3X)****4****6R5(3x)****6R3(1X)**

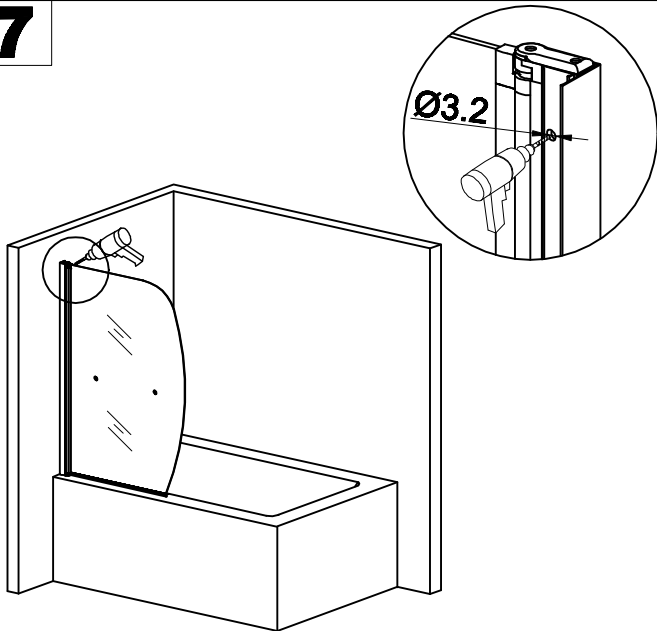
**5**



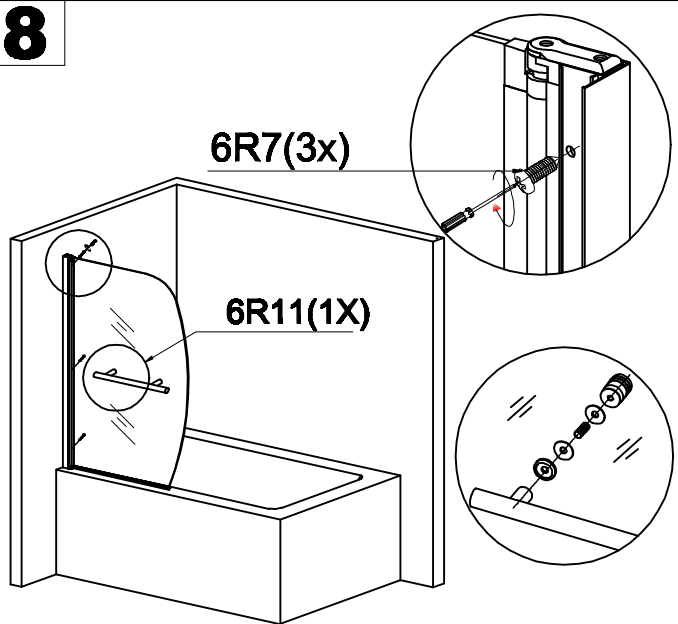
**6**



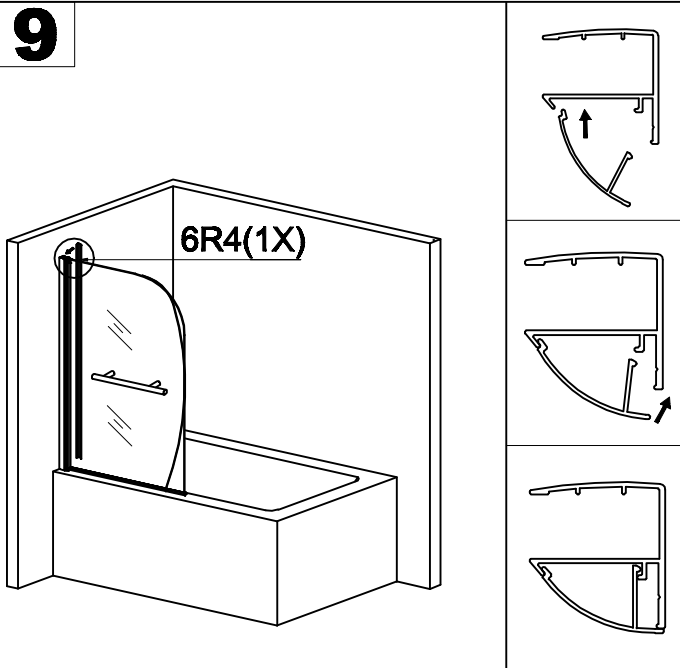
**7**



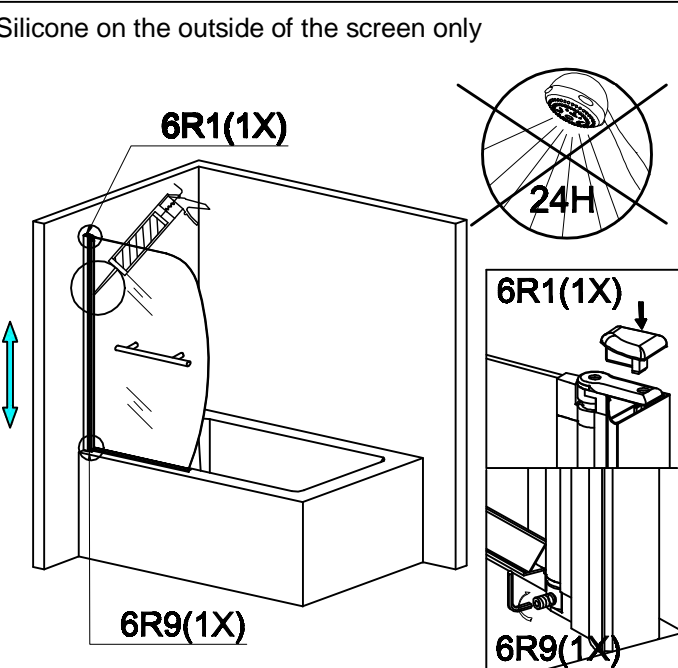
**8**



**9**



Silicone on the outside of the screen only



## Cleaning & Maintenance

Don't clean the shower enclosure with irritant detergent such as alcohol,bleach or other chemical cleaners.

Only clean with warm soapy water.

After the installation is completed,should you find that there is notable noise when the glass door moves,you may add a small quantity of lubricant onto the roller wheel,slipping hook and the track.

Helpline: 01452 317890