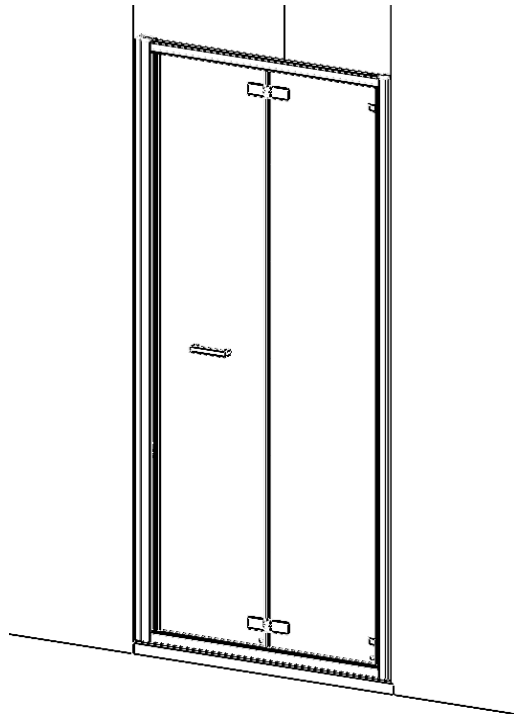


Innov8 Framed Bi-Fold Door N3V#



Handling

Be aware toughened glass can shatter if not handled correctly. It should not be subjected to any sharp impact and it is essential to protect the glass by resting it on a soft protective surface during installation such as cardboard or carpeting. It is recommended to wear PPE at all times during installation.



Pre-Installation Checks

1. Please take time to read these instructions prior to installing your product, including the Tray Sizes section below.
2. Check you have the correct product, by looking at the labels on the side of the product packaging.
3. Check all the product components and fixing kits are in the box - [these are listed on the next page](#).
4. Please check the product for defects or damage, once the installation has commenced we cannot accept responsibility for any defects or damage.
5. Before you commence any drilling check there are no hidden electrical cables and/or water pipes.
6. No attempt should be made to re-work the toughened safety glass.
7. The installation of the product should be performed by two persons.
8. It is strongly recommended the product is fitted on a tiled surface or similar waterproof surface - which are tiled and grouted before product is installed.
9. It is strongly recommended that the walls the product is going to be installed on are vertical, and the floor/tray is level.
10. Please note that some natural misting may occur when you remove this product from its packaging, due to the addition of the glass protection pre-coating. If this does occur this can easily be removed with a soft, dry cloth.

Tray Sizes

Important: You **MUST** measure your tray before you proceed with installation. Please refer to the adjustment stated in the brochure or Step 1 of this instruction manual for the adjustment details for Haven6. If your tray exceeds this given value, you may need a bespoke product. The 'Adjustment' displayed in the brochure or on your bespoke customer drawing is the required Alcove tray size - this is at MID Adjustment unless stated otherwise. Your Tray must be larger than the size given for Corner Adjustments. Refer to Step 1 for a guide on how to measure your tray accurately before proceeding any further - Roman will not be liable if you begin installation without correctly measuring your tray, to the realisation it doesn't fit.

Consumer Guarantee

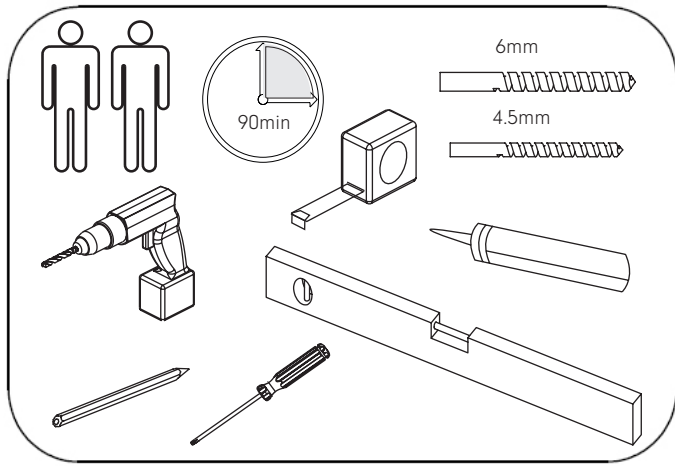
Please make sure the purchaser/end user completes and returns the guarantee card which is enclosed with this product. Failure to validate the Guarantee will mean only the 1 Year Statutory Guarantee will apply.



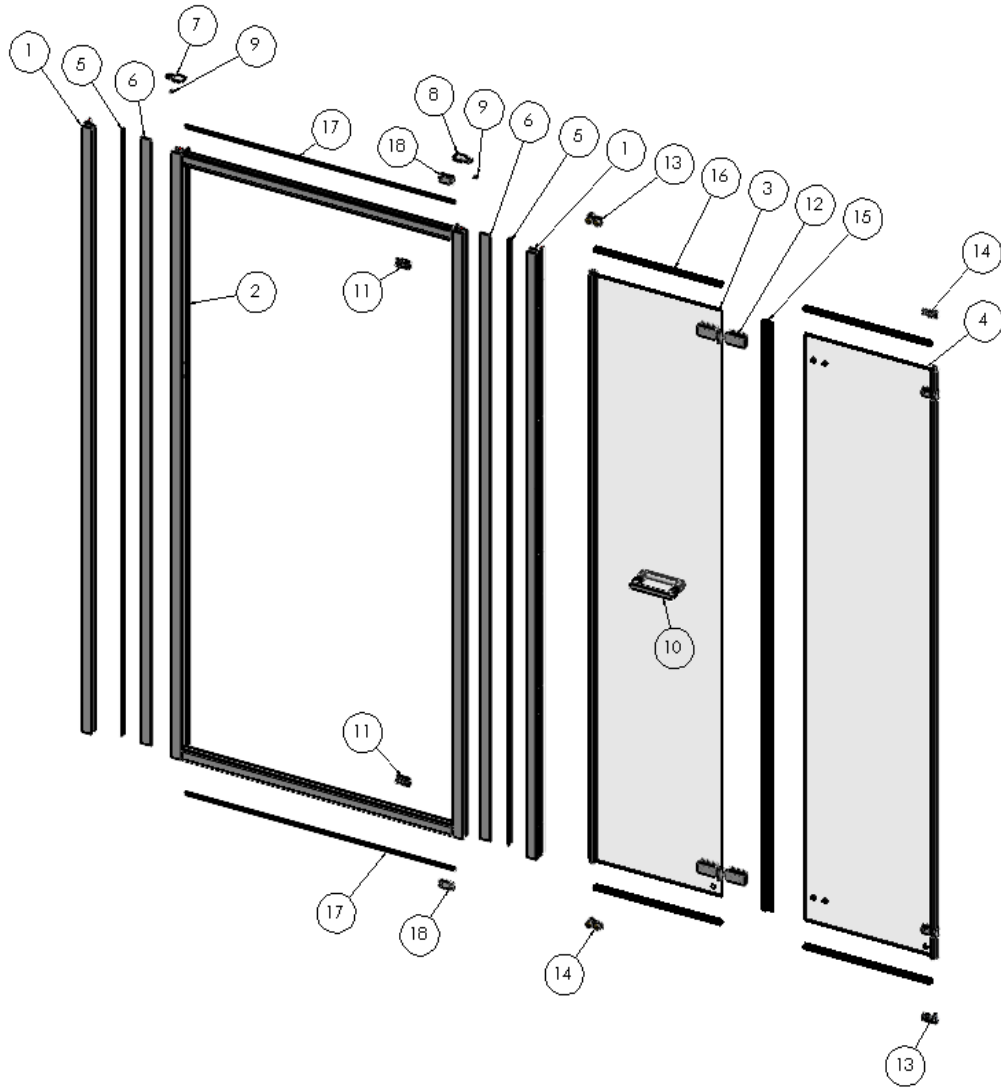
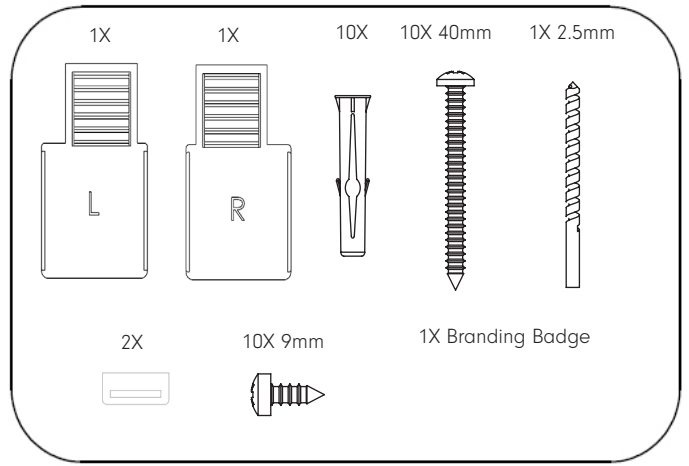
To obtain a copy of the Declaration of Performance for this product, please go to: www.ce-dip.com, contact us on +44 (0) 1925 328034, or write to us at the above address, quoting the product reference number where possible.



Equipment Checklist: Not Supplied



Fixing Kit Components



Part No.	Description	Q'ty	Part No.	Description	Q'ty
1	Wall Profiles	2	11	Door Stop	2
2	Main Frame	1	12	Hinge	2
3	Handled Door Assembly	1	13	Bearing Assembly Left Hand	2
4	Panel Door Assembly	1	14	Bearing Assembly Right Hamd	2
5	Cover Strip	2	15	Vertical Flipper Seal	1
6	Cover Plate	2	16	Horizontal Magnet	4
7	Top Cap Left Hand	1	17	Frame Magnet	2
8	Top Cap Right Hand	1	18	Anchor	2
9	Minature Top Cap	2	19		
10	Handle	1	20		

Step 1 - Tray Sizes

Your area must be tiled and grouted before measuring your tray - refer to your tray installation instructions and ensure this is done correctly. This is because tray measurements are taken from the tiled wall. Once tray installation is complete you can proceed to measuring the area, measure the bottom, middle and top across a 1950mm height. The tables below show the range of tray widths which will allow for correct fitment - this is for standard products only.

Alcove:

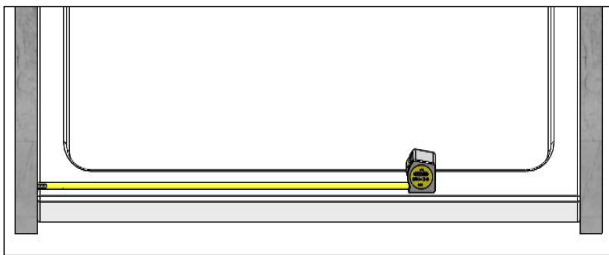
For Bespoke products please refer to your customer drawing for the MID Adjustment of the Door, this is the required Alcove size.

Corner:

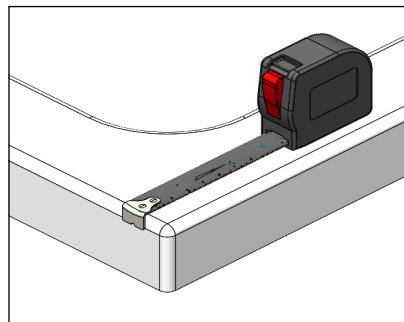
For Bespoke products please refer to your customer drawing for the MID Adjustment of the Door, and add 10mm. For The Side Panel, please refer to the Side Panel Fitting instructions.

Alcove Door Code	Tray Width
N3V76CS	710mm - 750mm
N3V8CS	750mm - 790mm
N3V9CS	850mm - 890mm
N3V10CS	950mm - 990mm
N3V12CS	1150mm - 1190mm

Corner Door Code	Tray Width
N3V76CS	730mm - 750mm
N3V8CS	770mm - 890mm
N3V9CS	870mm - 890mm
N3V10CS	970mm - 990mm
N3V12CS	1170mm - 1190mm



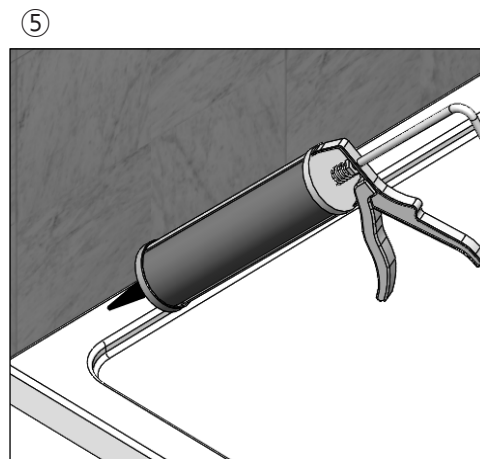
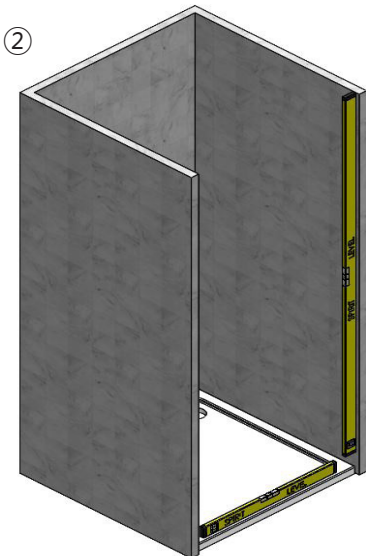
Measure from one tiled wall to the other.



Measure from the very outside of the tray - before the radius. Go all the way to the tiled wall.

If your tray exceeds the given amount for your product size, you may need a bespoke product.

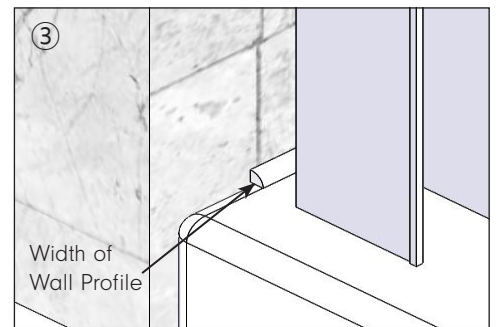
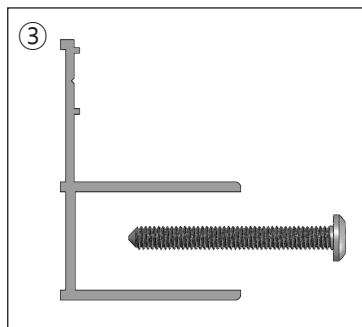
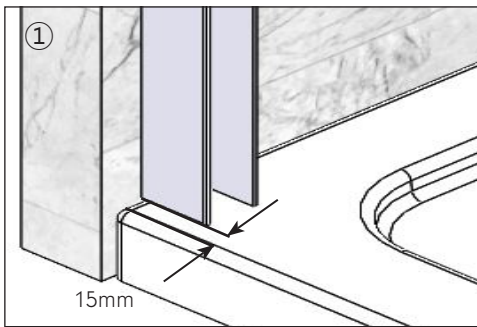
Step 2 - Pre-Installation Checks



1. Make sure the tray is installed as per the manufacturer's instructions.
2. Check your Tray and Walls are level on all sides (the bubble on the spirit level must be in the centre of the 2 lines).
 - If the Walls & Tray are not level you will not achieve the +/- 10mm of adjustment.
3. Stand in the tray and check that there is no adverse movement (correct if necessary).
4. The walls should be tiled and grouted up to the tray.
5. The tiles and the tray should be sealed using a good quality bathroom sealant:
 - Spray the seal and joints with the shower head and check for leaks when the silicon has cured.
 - Check the plumbing for leaks.
 - DO NOT plasterboard over the tray.
 - DO NOT grout the tiles when the enclosure has been fitted, the grout may discolour the aluminium profiles.

Step 3 - Wall Profile Positioning

- Place both Wall Profiles 15mm in from the outside of the tray. Make sure that both Wall Profiles are completely vertical using a spirit level and mark the wall through the holes with a pencil.
 - IMPORTANT: Mark one wall profile through internal holes, this profile will be fitted first.
 - Mark second profile through lipped edge holes.
- Drill the wall with a 6mm Masonry Drill Bit (not supplied) where the Wall Profiles are to be positioned. Fit the Wall Plugs supplied (if going in to a brick or block wall). If going into a plasterboard wall you will need to purchase appropriate wall fixings. Wipe clear all debris from the Tray before referring to the next stage.
- Take one Wall Profile 1 and position it on the Tray, place a bead of Bathroom Sealant (not supplied) the width of the Wall Profile between the tiled wall and tray. Fit the 40mm screws to secure the Wall Profile to the wall. Do not over tighten the screws into the Wall Profile as this will misshape the Wall Profile. Ensure the Wall Profile stays completely vertical throughout this procedure using a Spirit Level.
 - NOTE: Only one Wall Profile is fitted at this time, the other Wall Profile is fitted later.
 - NO sealant should be present between the Wall Profiles and the tiled walls vertically prior to screw fixing.
- Seal the gap between the Tray and Wall Profile with a Bathroom Sealant (not supplied).
 - Failure to carry out Stages 3 & 4 can result in serious water damage and is not covered by the Guarantee.

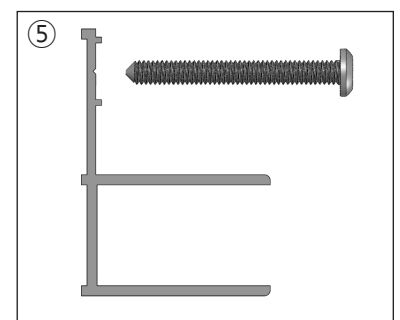
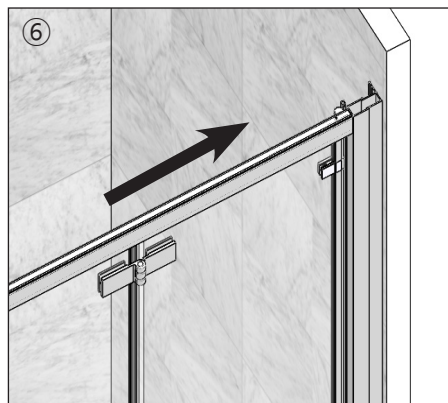
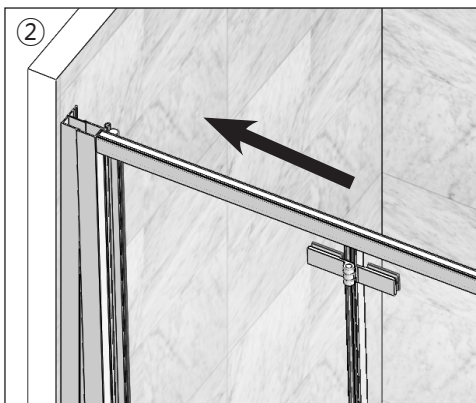
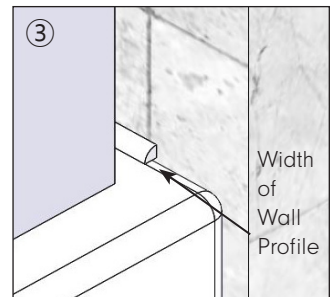


Step 4 - Positioning the Door & Second Wall Profile



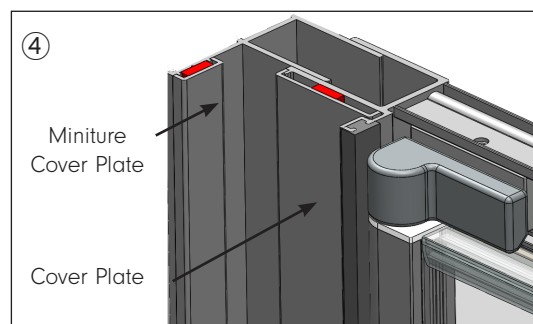
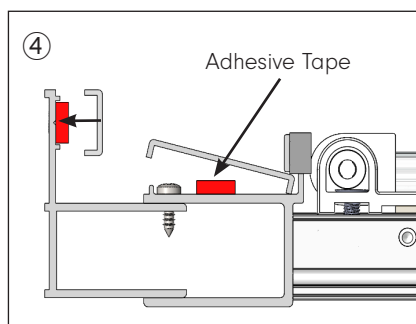
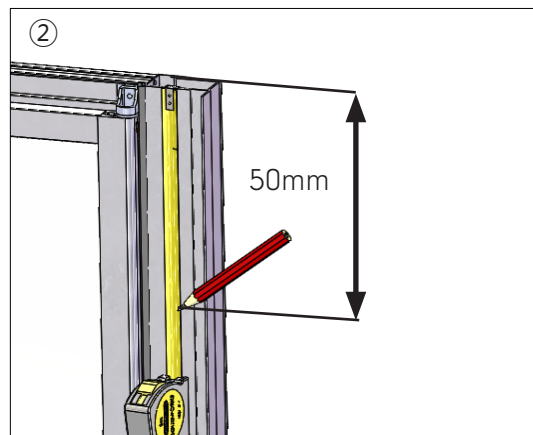
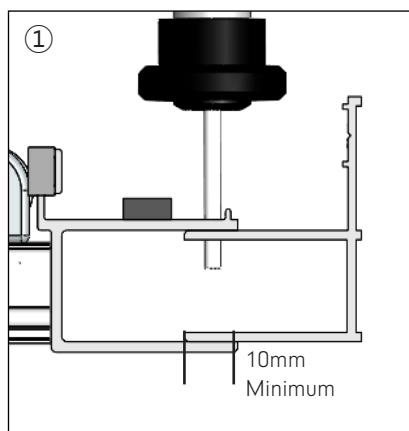
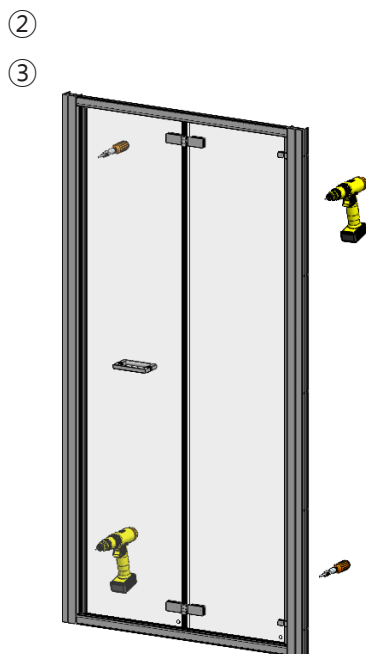
- Place the remaining Wall Profile at the required end of the Door.
- Gently lift the Door and Wall Profile onto the tray and into the already fixed Wall Profile.
- Where the unfixed Wall Profile will meet the tiled wall and tray apply a generous bead of sealant.
- Position the Wall Profile so that it locates over the previously fitted wall plugs.
- Fit Screw Bases to the 40mm screws (supplied) and secure the Wall Profile to the wall. Do not over tighten the screws into the Wall Profile as this will misshape the Wall Profile. Ensure the Wall Profile stays completely vertical throughout this procedure using a Spirit Level.
- Position the Door equally between the Wall Profiles, there must be at least 10mm left for fixing.

NOTE: This part of the installation requires 2 people. If you are fitting with a Side Panel, please refer to Side Panel installation manual.



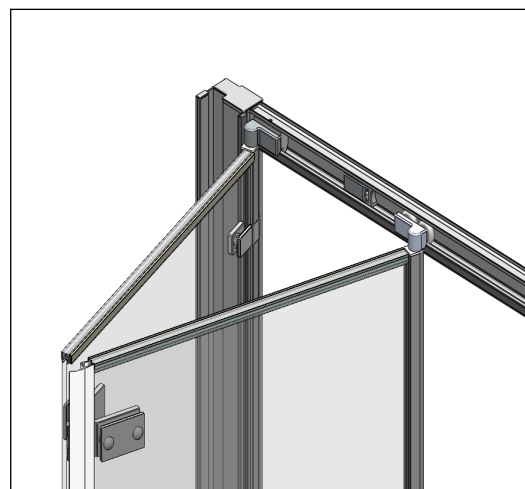
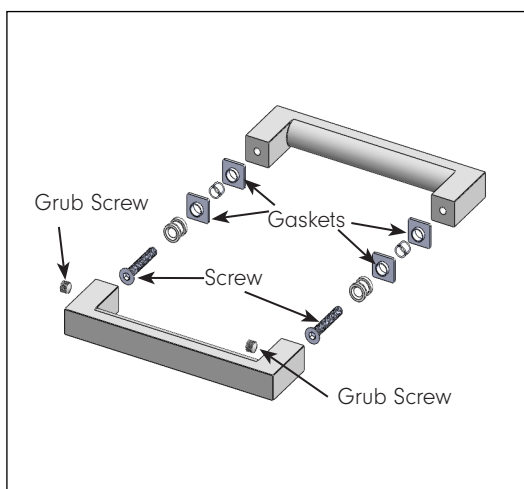
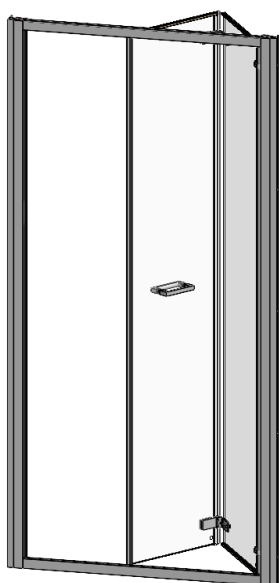
Step 5 - Fitting the Door and Cover Profiles

1. Make sure the Door is positioned equally between both Wall Profiles with a minimum of 10mm for drilling.
2. Drill five 2.5mm holes through the Vertical Frame of the Door into the Wall Profiles, they are to be drilled approximately 50mm from the top and bottom and space equally in the centre.
3. Fit the 9mm Screws and screw the Door to the Wall Profiles using a screwdriver.
4. When all screws are fitted, peel off the film of the adhesive tape and push on the vertical aluminum cover plates aswell as the miniture cover plates for the wall profile to cover the wall fixing screws.

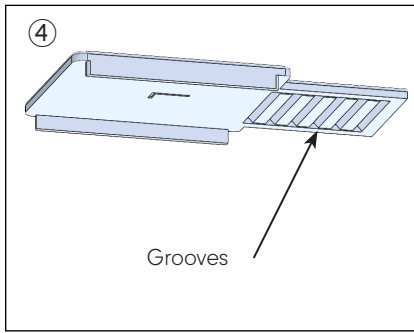


Step 6 - Fitting Handle and Vertical Seal

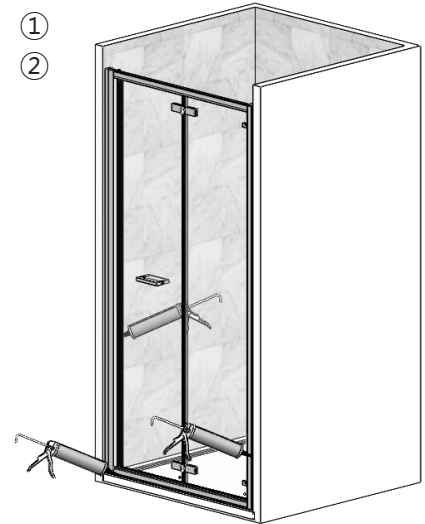
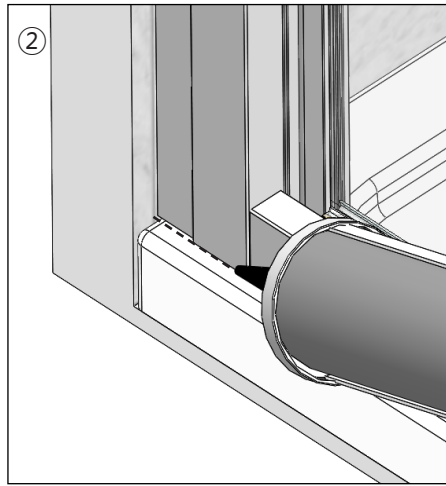
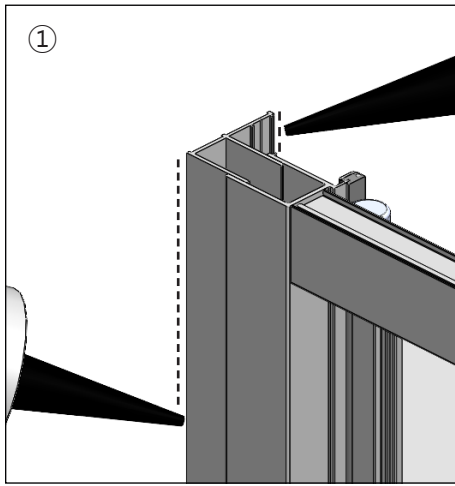
1. Open the door, Dismantle the Handle Assembly and re-assemble onto the Door Glass. Make sure the Black Handle Gaskets are fitted over the screw, and at each side of the Door.
2. With the door still open, push the vertical seal onto the handled panel with the flipper facing the inside of the product ensuring it is flush to the horizontal magnets.
3. Push fit cover caps into exposed screw heads located on the hinge backplate.



Step 7 - Sealing and Top Caps



1. Seal both sides of the Wall Profiles vertically inside and outside where they meet the tiled Walls.
2. Fully seal the Bottom Horizontal Rail to the top of the tray on the outside only from wall to wall.
 - IMPORTANT: Failure to carry out stages 1 and 2 may result in serious water damage and is not covered under the terms of the guarantee.
 - DO NOT seal the base of the product to the inside, failure to comply may result in the product leaking.
3. Please allow 24 hours for the sealant to cure prior to using the enclosure.
4. Fit the Top Caps, these can be shortened to fit by snapping off at the relevant groove. Apply a small amount of silicon to help keep in place.
5. If installing a black product, spread silicon grease (supplied) on inside of rail to aid with roller operation.
6. Stick Branding Badge to a suitable location



Trouble Shooting Guide

Should you experience any problems during installation please refer to the Trouble Shooting Guide or contact Customer Relations on:
+44 (0) 1325 328033

To enable customer relations to provide you with an excellent level of service it is important that you quote your product Code and Reference Number - these can be found on the Guarantee card.

Problem	Solution
Leaking	<ol style="list-style-type: none">1. Check that the inside gap between the Tray and Wall profile has been sealed correctly.2. Ensure the tray is sealed along the tiled walls prior to installation.3. If the inside joint between the enclosure and the tray top is sealed, this will cause leakage - sealant must be removed.4. Ensure the wall profiles on the tiled walls are sealed both vertically inside and outside.5. Ensure the joint between the enclosure and tray top is sealed. <p><u>Important: This enclosure should be water tested conforming to BS EN 14428</u></p>
Enclosure Alignment on Tray	<ol style="list-style-type: none">1. Have you read and understood Step 1 of the instructions?2. Is the enclosure fitted onto a tiled wall?3. Is the wall profile completely vertical?4. Is the wall profiles fitted 10mm from outside of the tray?
Door not operating correctly	<ol style="list-style-type: none">1. Ensure both Wall Profiles are completely vertical.2. Ensure the tray is completely level.3. Check the bottom of the door is parallel to the top of the tray.4. The Bearing Moulding may need moving to let the bearing run better. (Remove Caps, then adjust with screwdriver)
Door Alignment	<ol style="list-style-type: none">1. Ensure the Wall Profiles are completely vertical.2. Ensure the Tray is completely level.3. Check both Wall Profiles are in line with each other.

Important Information to help you maintain your Product:

The following information is all you need to keep your product looking new.

Our products are generally maintenance free, however it may be necessary to lubricate wheel assemblies and other moving parts such as hinges from time to time.

Clean your product using a mild detergent diluted in water and then polished off using a soft cloth.

If you live in a hard water area, periodically clean your product using a 50/50 solution of white vinegar and water. The solution should be left on the enclosure for approximately 5 minutes then rinsed off using warm water. This method of cleaning should remove lime scale residue.

It is strongly recommended that a quality silicone spray is used.

A list of Donts

1. Don't use acidic based products which are unsuitable for cleaning enamel surfaces.
2. Don't use abrasive cleaners or cleaners using bleach or solvents, these products will adversely affect the finish of the aluminium profiles.
3. Don't use scouring pads, powder or any sharp instruments when cleaning the enclosure.