

200.00 mm

# Eastbrook

Eastbrook Road, Gloucester GL4 3DB

Technical Helpline: 01452 317890

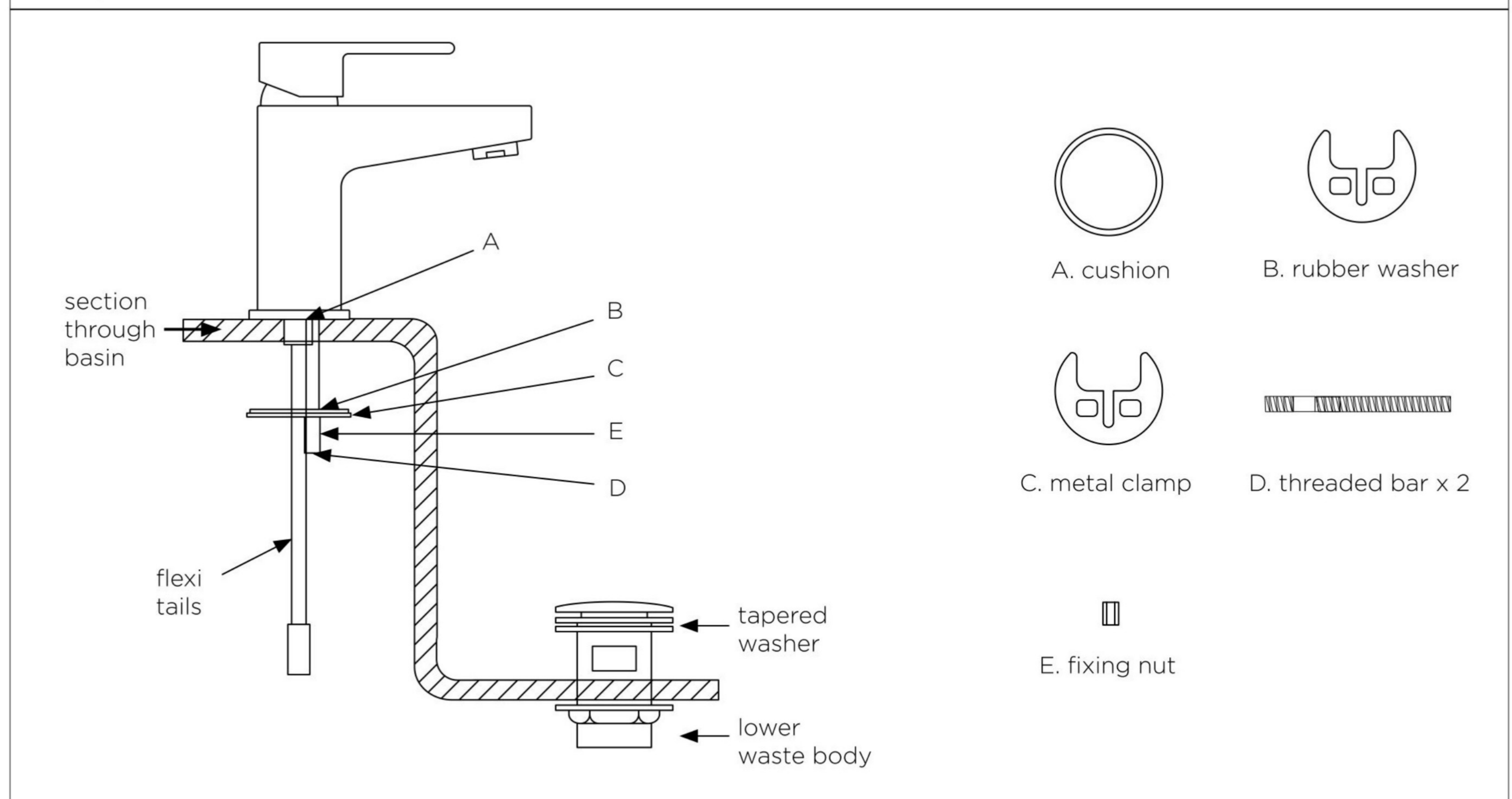
Email: [technical@eastbrookco.com](mailto:technical@eastbrookco.com)

## Basin Taps

### INTRODUCTION

The Model supplied may vary from the image shown below. Please note that the general installation process for all Mono basin mixer fittings are the same and the following guide will take you through the process. Identify all components and ensure there is no damage prior to starting the installation. No claims can be made after fitting the product.

#### Components



### INSTALLATION

- Basin tap sits on cushion [ A ].
- Insert threaded bar into the base of fitting.  
(Connect flexi tails, see step 10)
- Place fitting through the hole in the basin.
- Apply rubber washer to the underside of the basin
- Apply metal clamp to underside of basin
- Screw the fixing nut onto threaded bar and tighten
- Install waste into basin using the tapered washer or suitable sealant
- Apply sealing washer to underside of basin
- Tighten lower part of waste body until seal is made
- Carefully install the flexi tails (style may vary) into the fitting. It is not necessary to over tighten these pipes.  
(Can also be connected at step 1)
- Earth any new pipes adequately.  
Seek expert advice if in doubt.
- Connect water supply pipes to inlet pipes, ensuring isolating valves (not supplied) are in position.
- Ensure tap valves are in open position.
- Open isolating valves.
- Turn on hot and cold water supply, allow to run for a few minutes to flush out the piping system.
- Check connections for watertightness

#### Aftercare

During installation, extra care must be taken to avoid damaging the fitting or its finish. To maintain the appearance of the fitting, please ensure it is cleaned regularly using a clean soft damp cloth only. Do not use abrasive sponges, scouring agents, organic solvents or acidic cleaners as they may cause surface deterioration.

280.00 mm