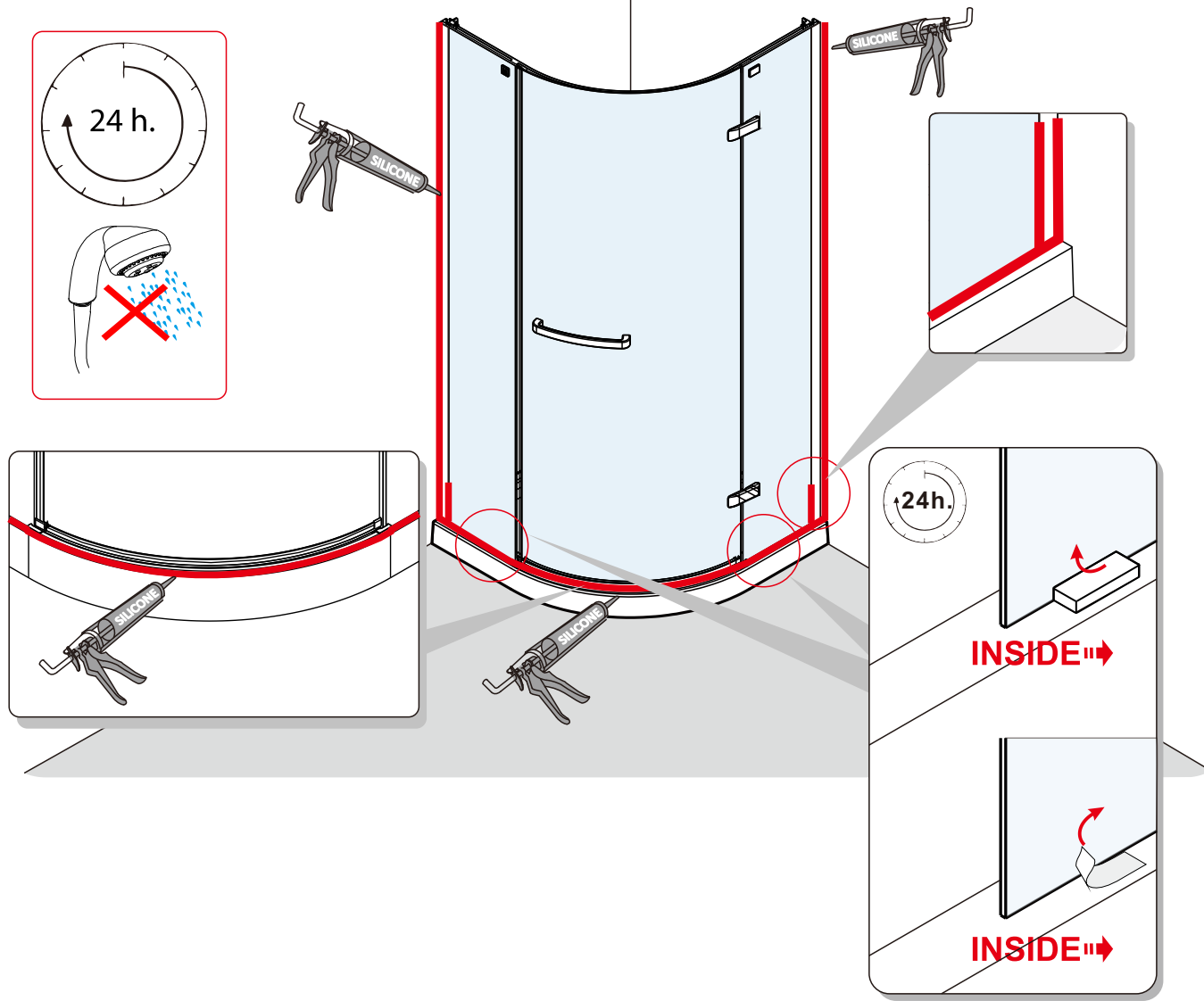


19



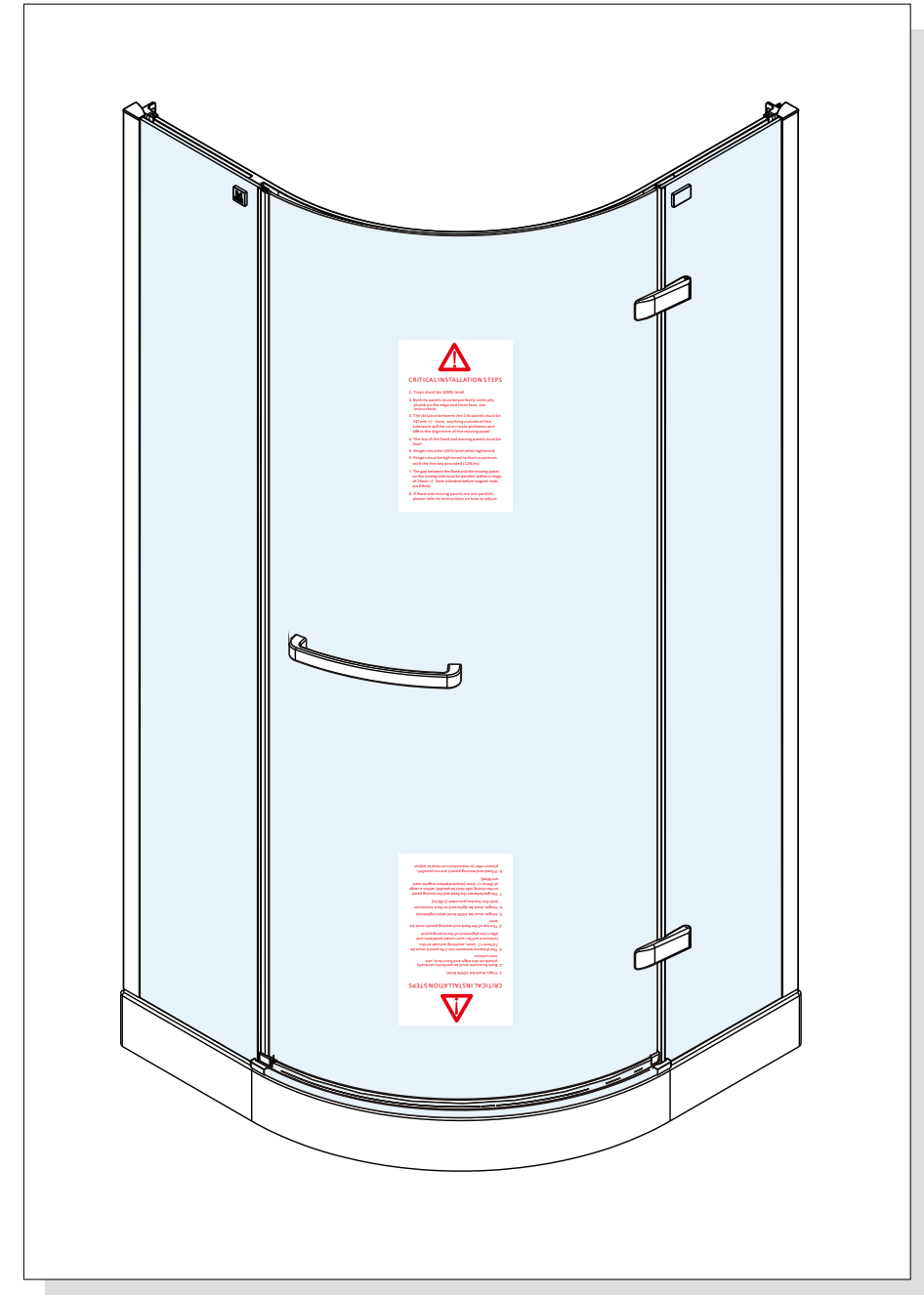
For further information please contact:

[www.merlynshowering.com](http://www.merlynshowering.com)

IRL:0567791555

UK:08081011429

# 1 DOOR QUADRANT



# INSTALLATION GUIDE

HINGE DOOR

IMPORTANT

Thank you for choosing Merlyn. Please familiarise yourself with the fitting instructions before commencing fitting.

- 1 Check that you have the tools required
- 2 Check that the installation site is compatible with size of door supplied
- 3 Check all the enclosure components
- 4 Check that the installation kit is complete

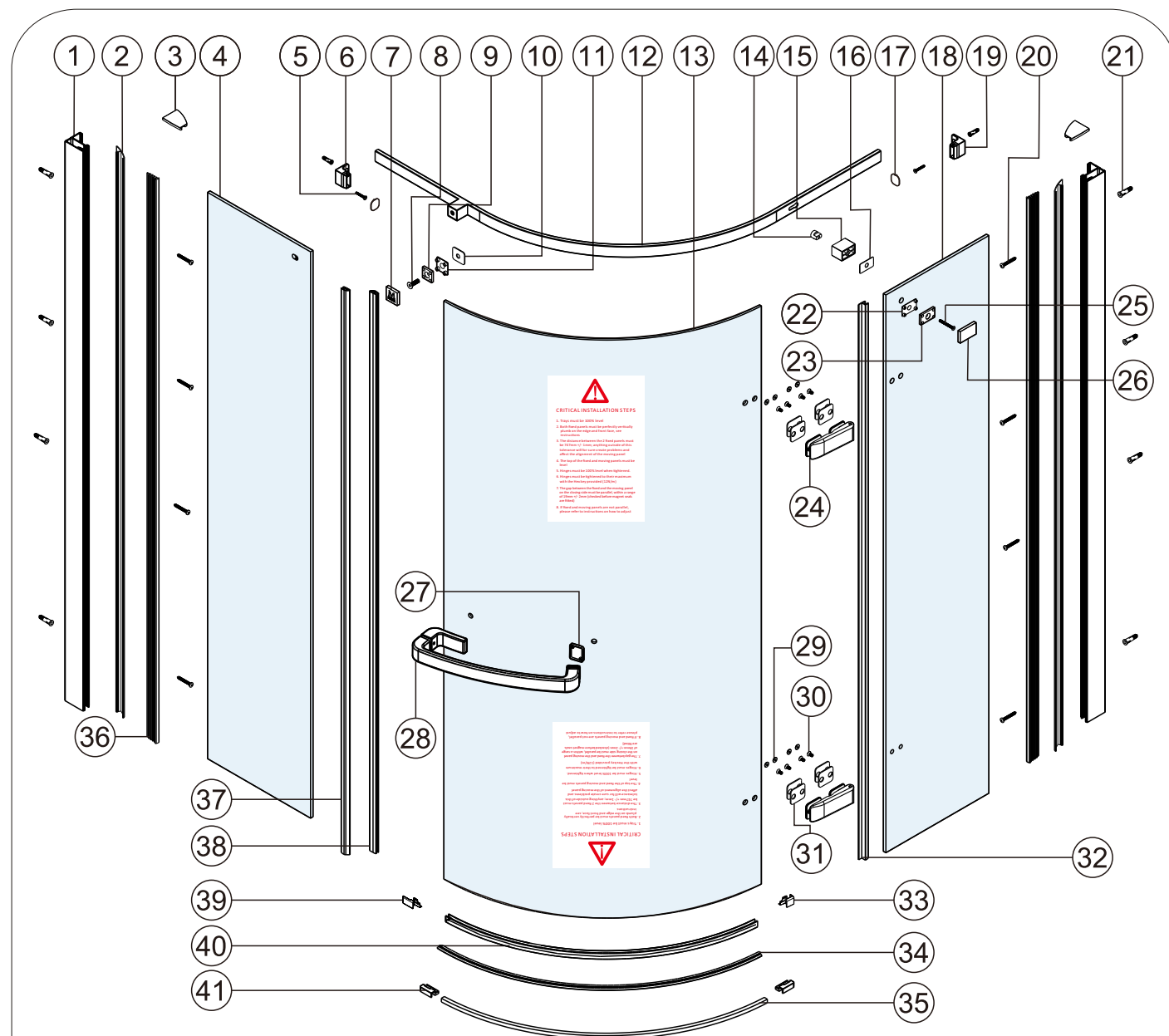
**DO NOT** attempt to install the product unless you can tick **ALL 4** boxes as satisfactory.  
 The wall plugs supplied with the installation kit are for use in solid walls. Hollow or 'stud - partition' walls will require alternative fixings. Please consult a hardware supplier for the correct type.  
 It may also be necessary to consult your tiling supplier about the correct method for drilling your tiles.

**USE SAFETY EYEWEAR WHEN DRILLING**

Any parts missing or damaged must be reported to your supplier within 5 days of purchase. Inspect shower enclosure before fitting. No claims will be accepted after product has been installed.

CRITICAL INSTALLATION STEPS

1. Trays must be 100% level
2. Both fixed panels must be perfectly vertically plumb on the edge and front face, see instructions
3. The distance between the 2 fixed panels must be 747mm +/- 1mm; anything outside of this tolerance will create problems and affect the alignment of the moving panel
4. The top of the hinge fixed and moving panels must be level
5. Hinges must be 100% level when tightened.
6. Hinges must be tightened to their maximum with the Hex key provided (12N/m)
7. The gap between the fixed and the moving panel on the closing side must be parallel, within a range of 19mm +/- 2mm (checked before magnet seals are fitted)
8. If fixed and moving panels are not parallel, please refer to instructions on how to adjust



No.	Qty	Part No.	No.	Qty	Part No.	No.	Qty	Part No.
①	2	A06S0058	⑮	1	A06S0024	⑲	8	A06S0012
②	2	A01S0115	⑯	1	A06S0025	⑳	8	A06S0013
③	2	A06S0060	⑰	2	A06S0032	㉑	8	A06S0011
④	1	A	⑱	1	D	㉒	1	A06S0041
⑤	2	A06S0048	⑳	1	A06S0031	㉓	1	A06S0038
⑥	1	A06S0030	㉑	8	A06S0049	㉔	1	A06S0043
⑦	1	A06S0017	㉒	10	8SSJ066	㉕	1	A06S0005
⑧	1	A06S0021	㉓	1	A06S0026	㉖	2	A01S0154
⑨	1	A06S0018	㉔	1	A06S0027	㉗	1	A06S0044
⑩	1	A06S0020	㉕	2	A06S0010	㉘	1	A06S0045
⑪	1	A06S0019	㉖	1	A06S0028	㉙	1	A06S0037
⑫	1	B	㉗	1	A06S0029	㉚	1	A06S0003
⑬	1	C	㉘	1	A06S0016	㉛	2	A06S0036
⑭	1	A06S0023	㉙	1	A06S0015			

**Parts List:**

- A06S0060 L/R ×2
- A06S0030 ×1, A06S0031 ×1, A06S0032 ×2
- A06S0061 ×2, A06S0039 ×3, A06S0062 ×2, A06S0063 ×2
- A06S0010 ×2
- A06S0017 ×1, A06S0021 ×1, A06S0018 ×1, A06S0019 ×1, A06S0020 ×1
- A06S0037 L/R ×1
- A06S0038 L/R ×1
- A06S0036 L/R ×2
- A06S0015 ×1
- A06S0023 ×1
- A06S0024 ×1, A06S0025 ×1, A06S0026 ×1, A06S0027 ×1, A06S0029 ×1
- A06S0028 ×1
- 4mm A06S0046 ×1
- 4x30 A06S0049 ×8
- 4x30 A06S0048 ×2
- 8SSJ066 ×10
- 3.0mm 8S1300611 ×1
- 2.5mm 8S1300511 ×1
- A09S0052 ×1

**Tools:**

- PH2 screwdriver
- Φ6 drill bit
- Level
- Pliers
- Utility knife
- Hand saw
- Measuring tape
- Hammer
- Silicone applicator

### 1

**NOTE: Tray must be 100% level in all directions**

### 2

Size Taille Größe Maat	X	Y
800	765-790	765-790
900	865-890	865-890
900x760	725-750	865-890
1000x800	765-790	965-990
1000x1000	965-990	965-990
1200x800	765-790	1165-1190
1200x900	865-890	1165-1190

**2A:** Leveling the tray against the wall.

**2B:** Min. 15mm gap between tray and wall.

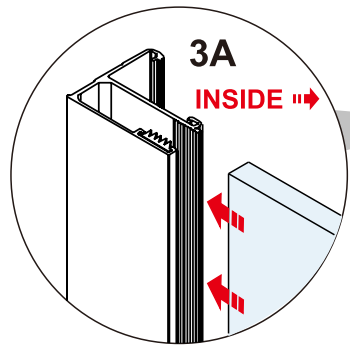
**2C:** A06S0058 spacer.

**2D:** Φ6 screw.

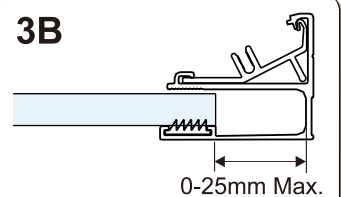
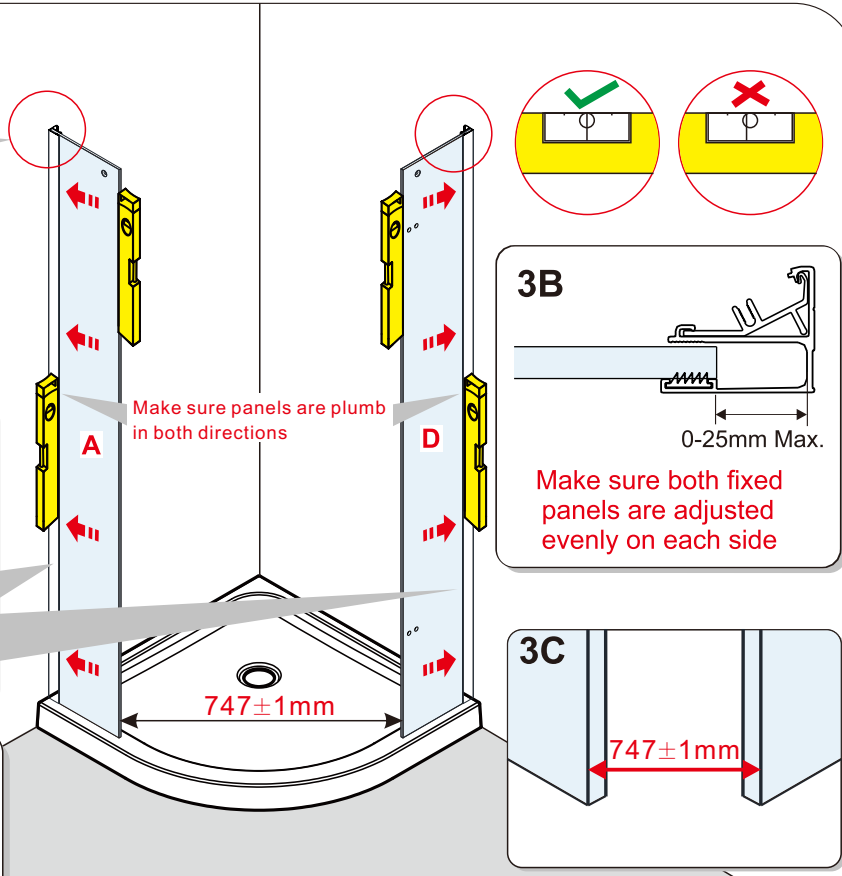
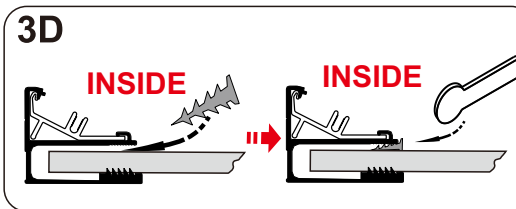
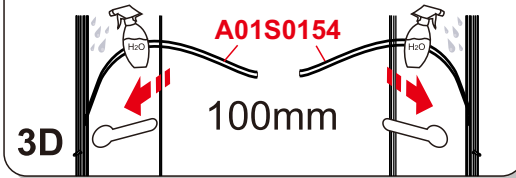
**2E:** 8SSJ066 spacer.

**2F:** A06S0049 spacer.

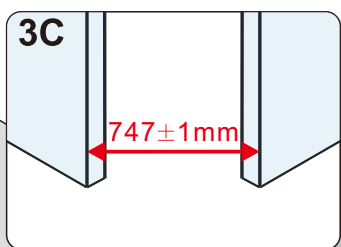
3



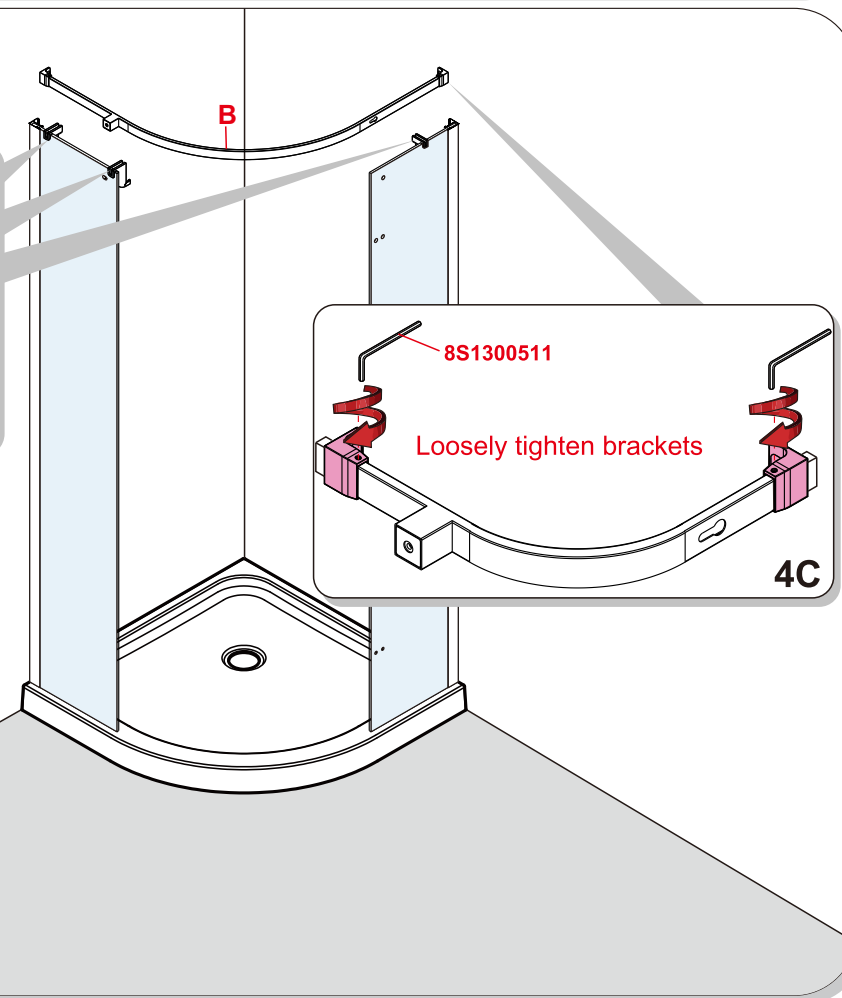
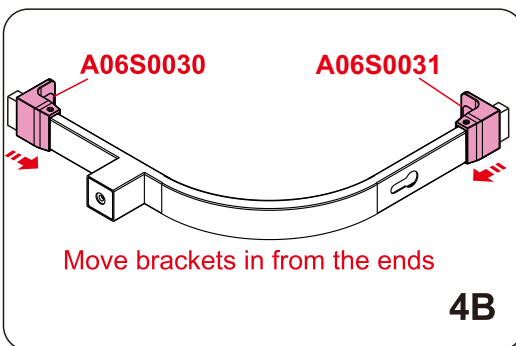
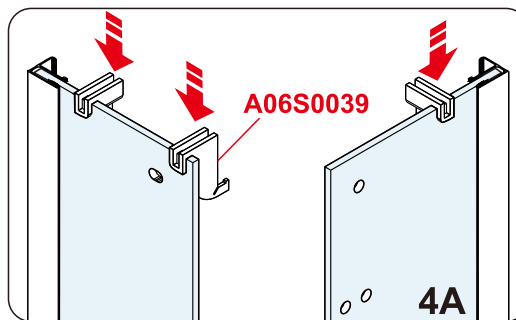
Set gap between fixed panels to  $747 \pm 1$  mm, (measured from inside edges of fixed panels), then insert wedge gaskets 100mm on each side to hold the fixed panels in position



Make sure both fixed panels are adjusted evenly on each side

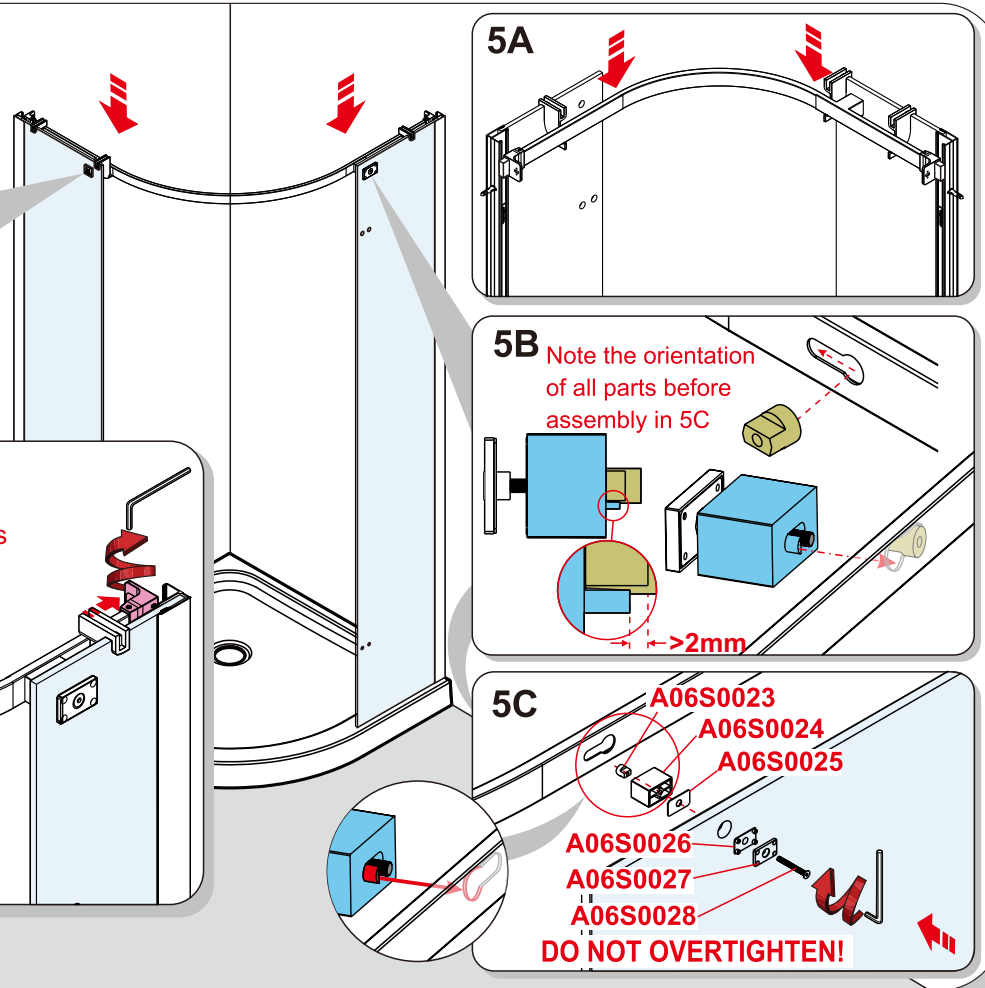
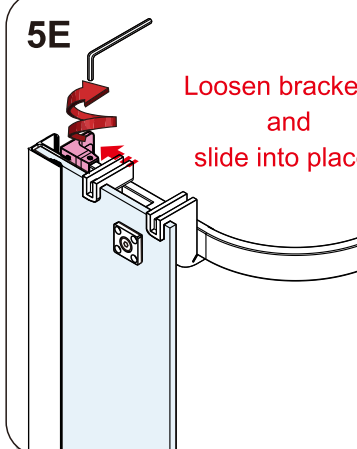
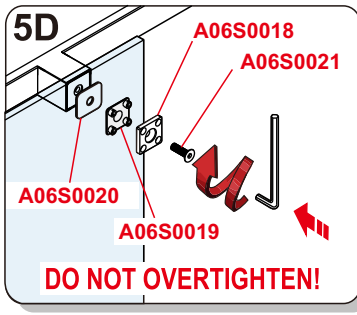


4

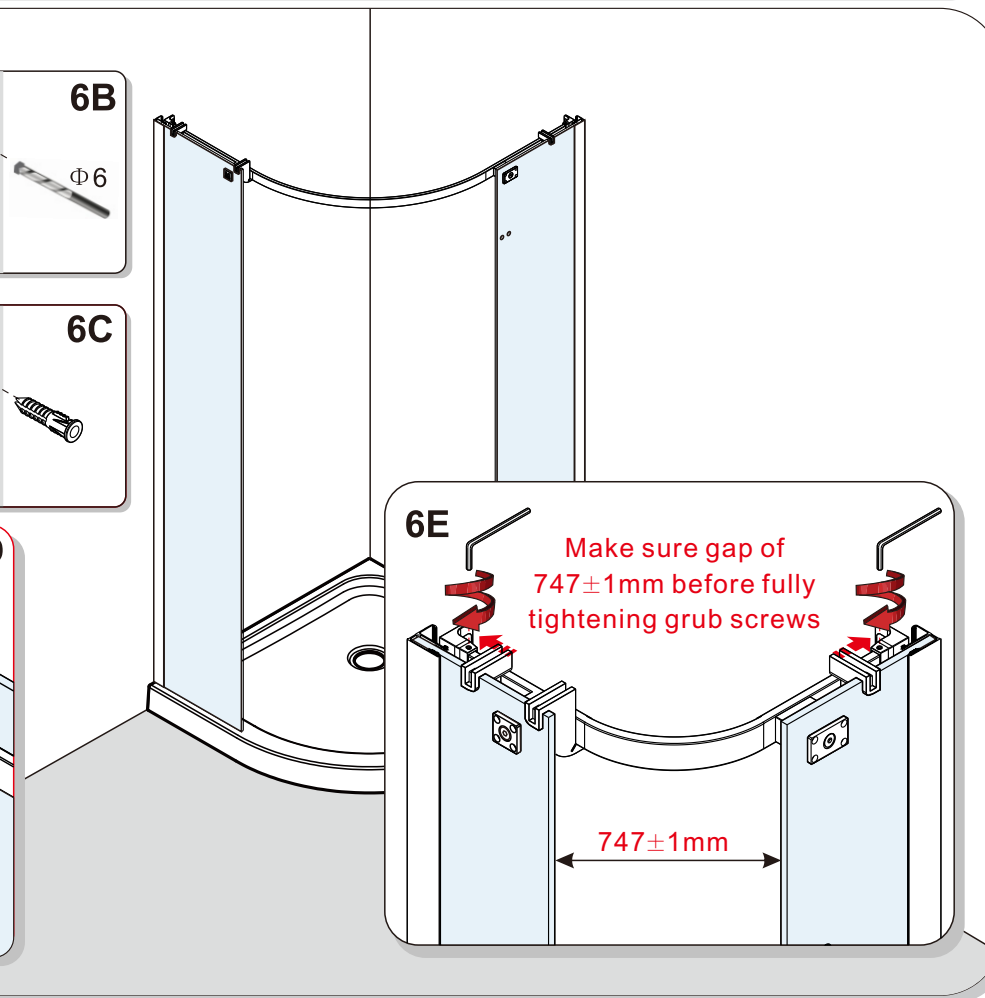
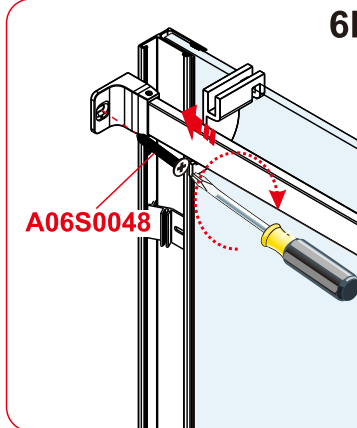
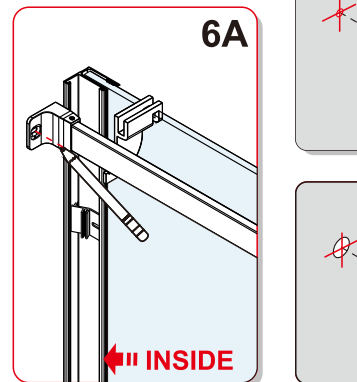


5.

5

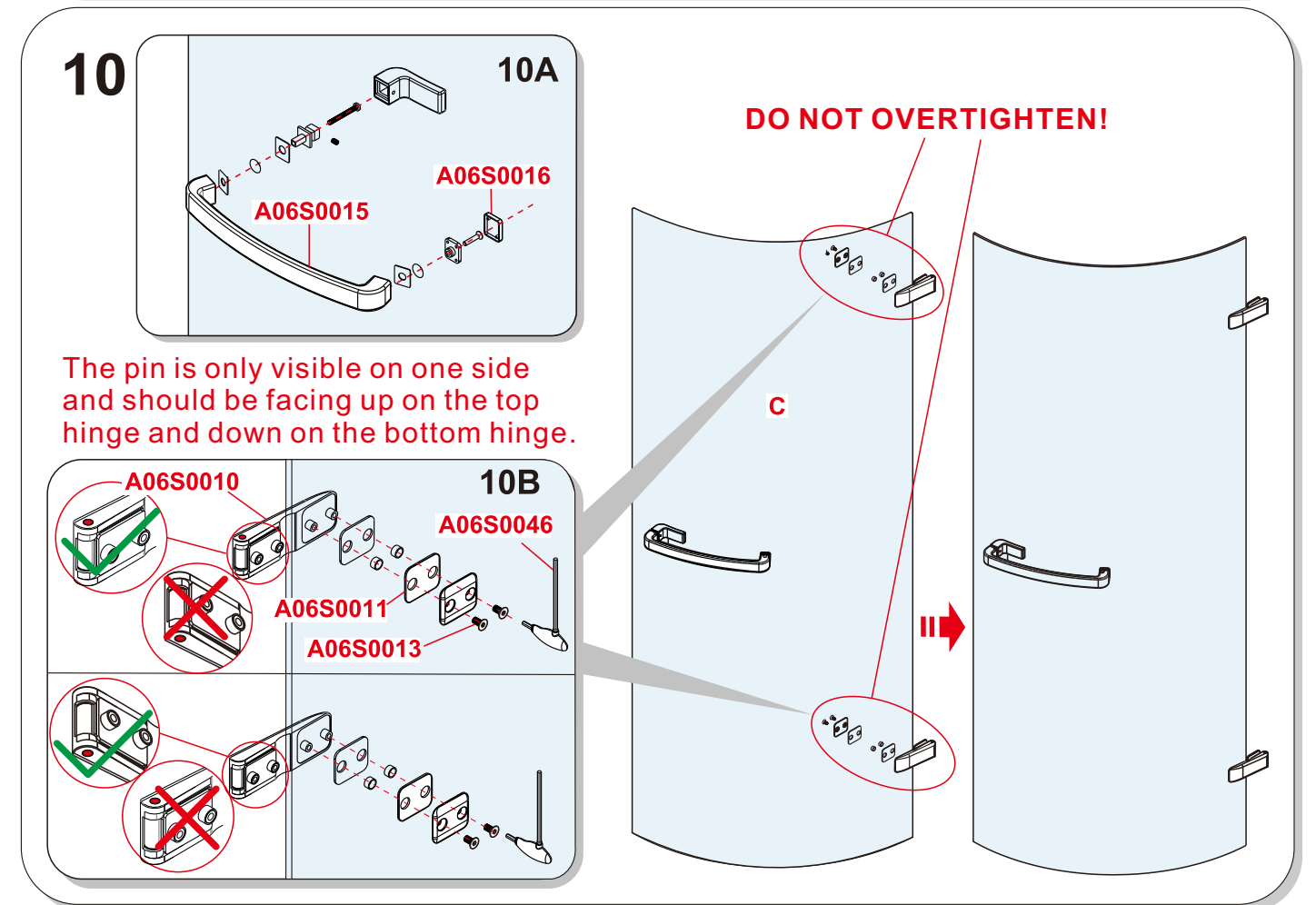
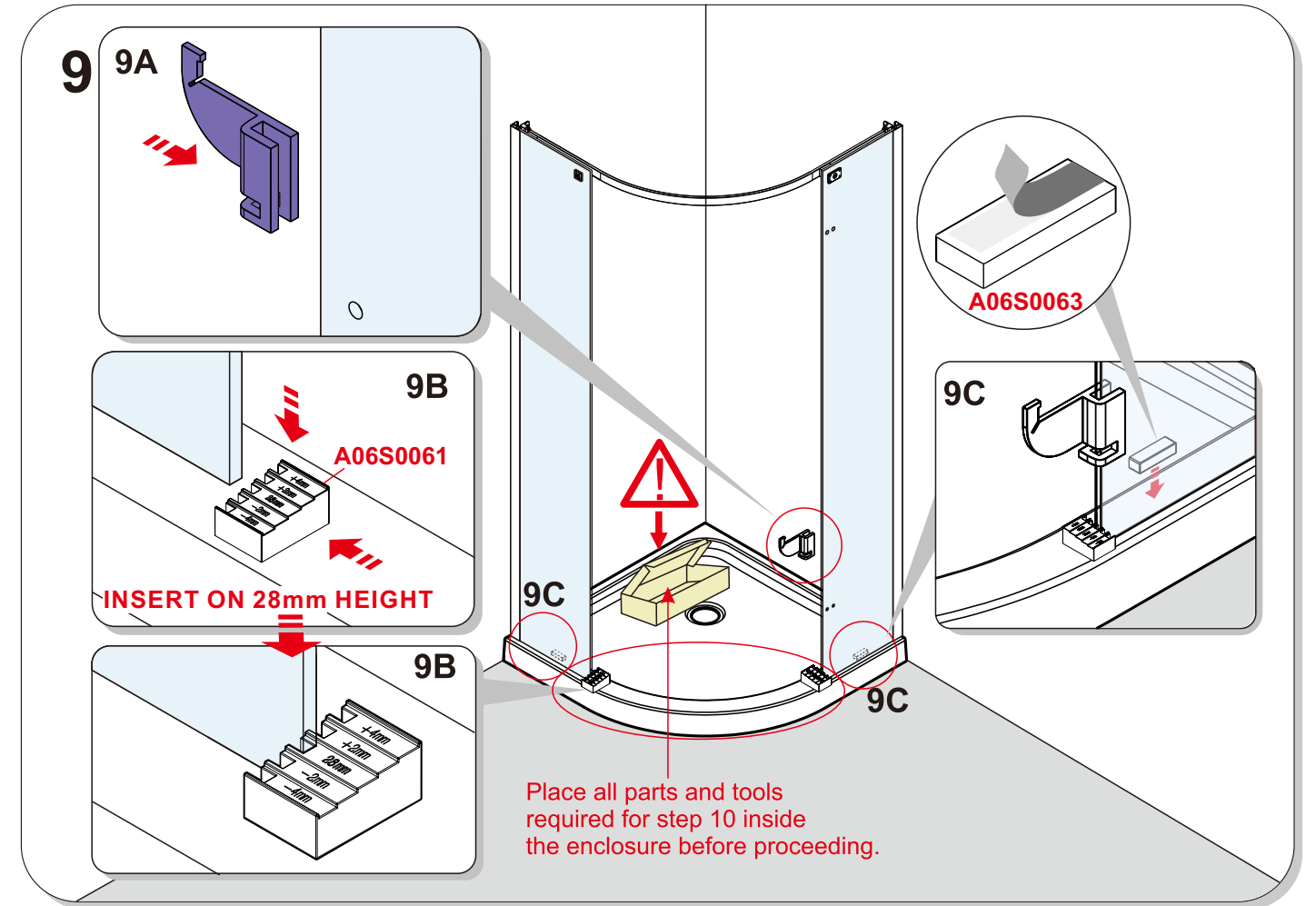
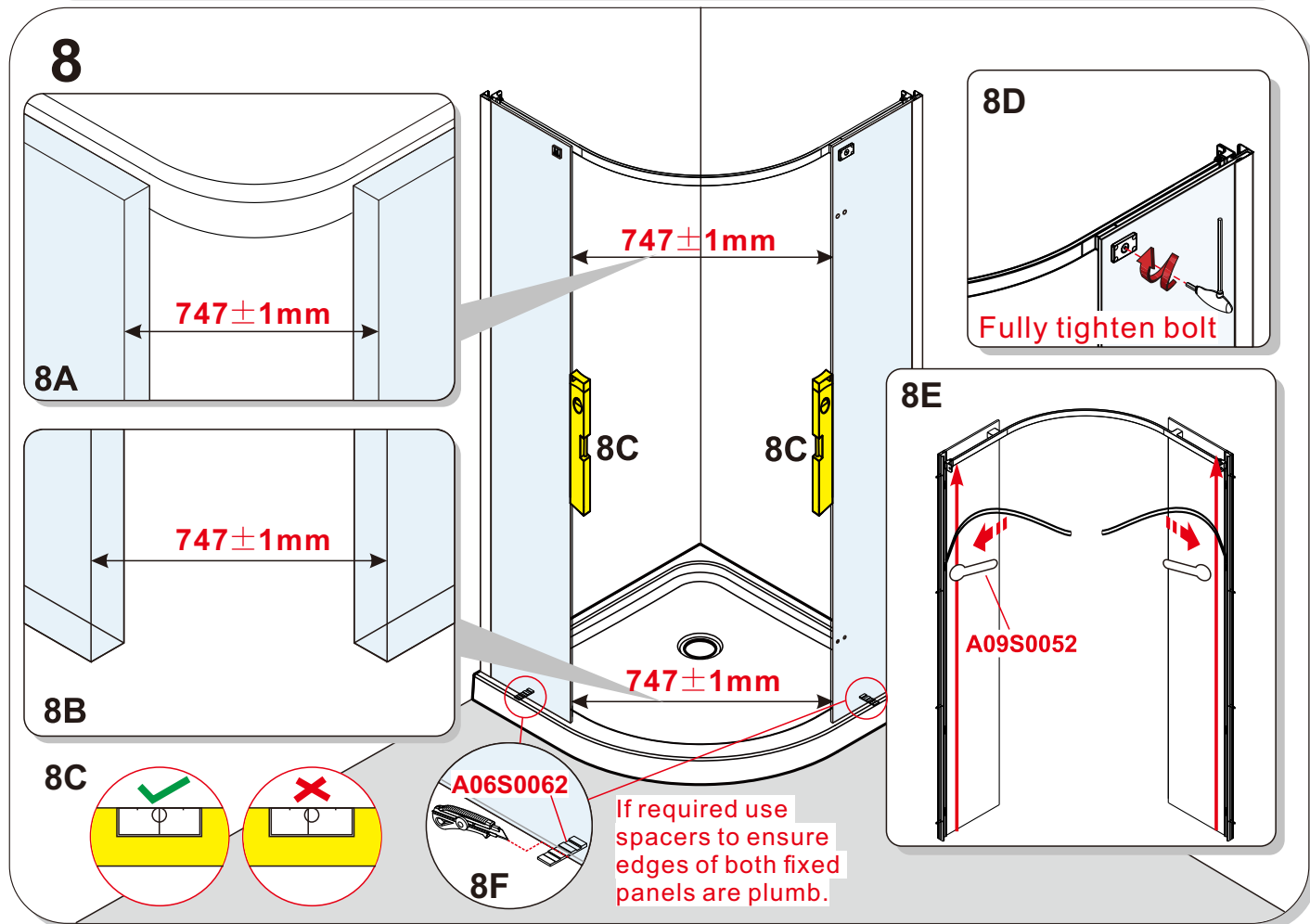
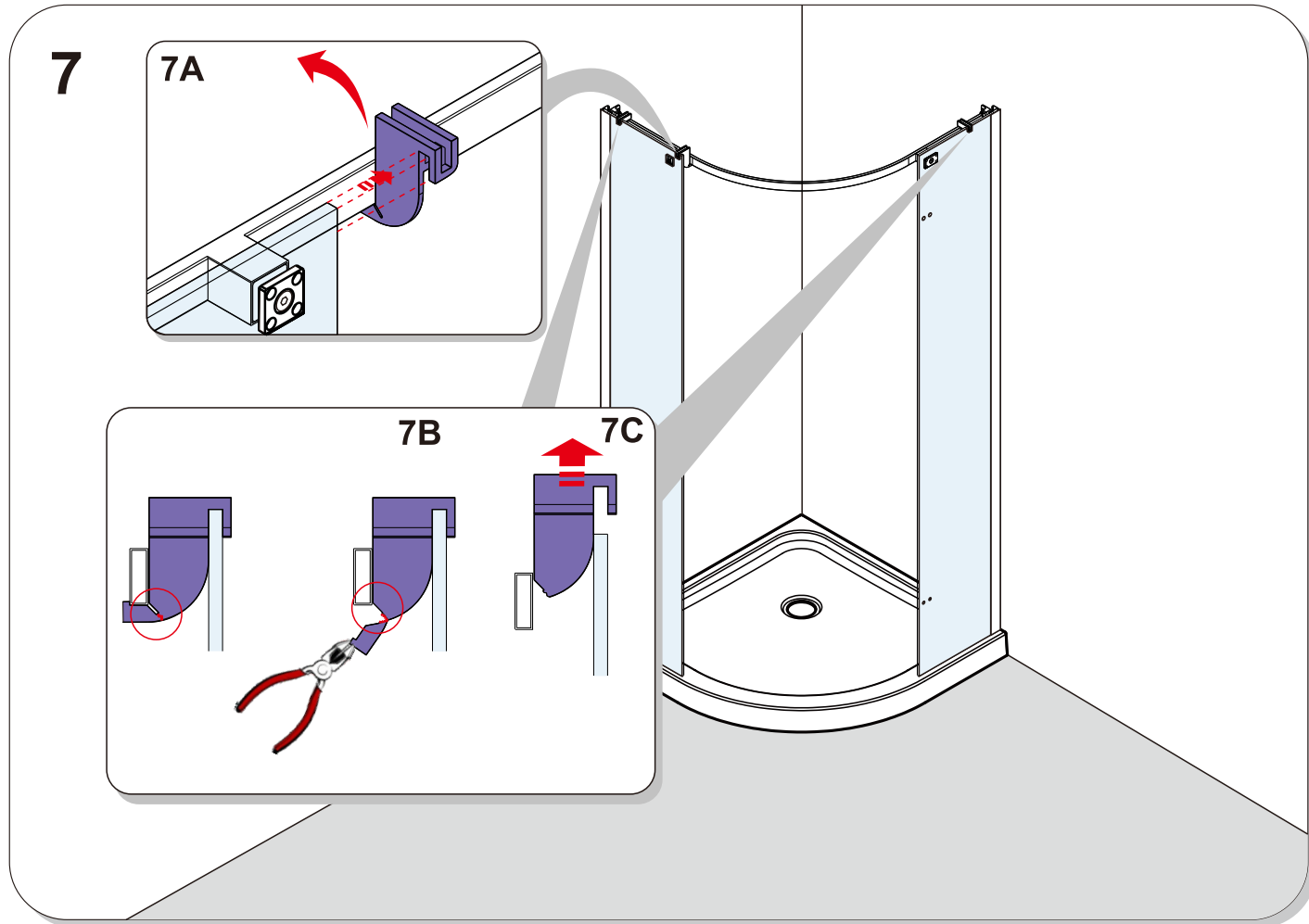


6

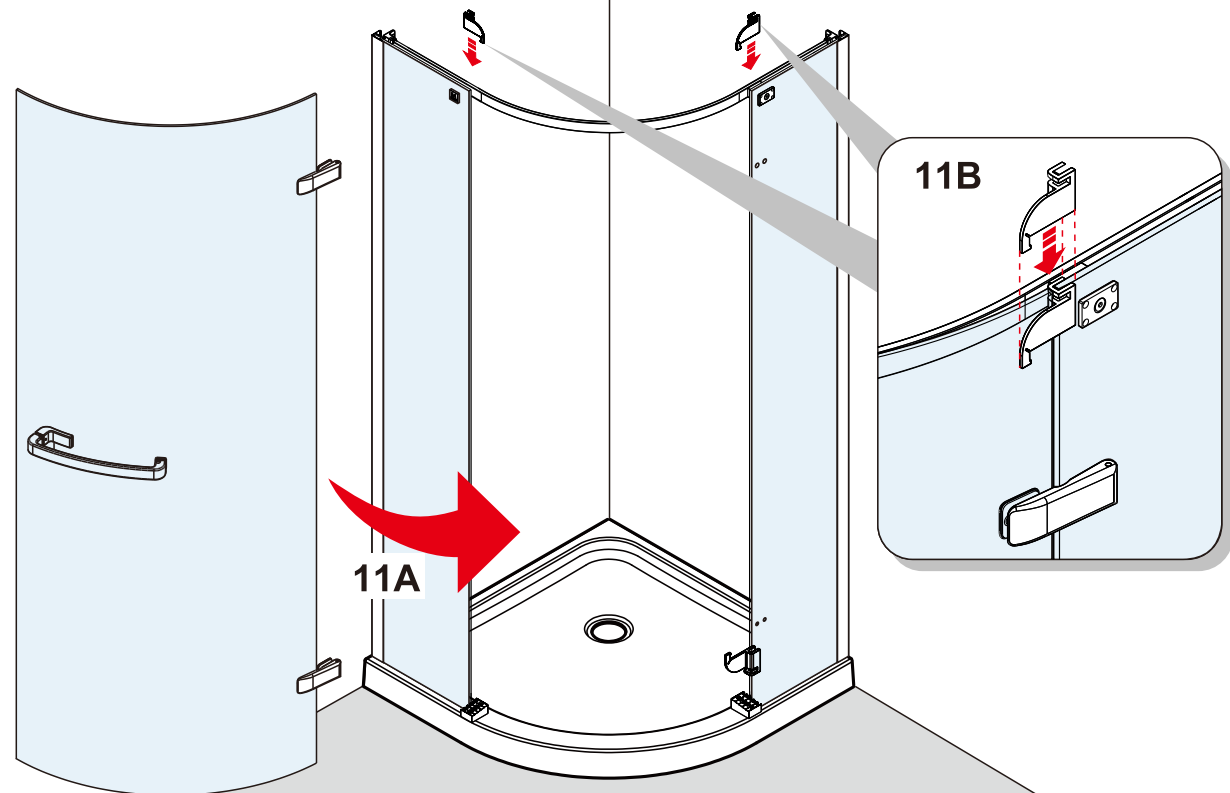


6.



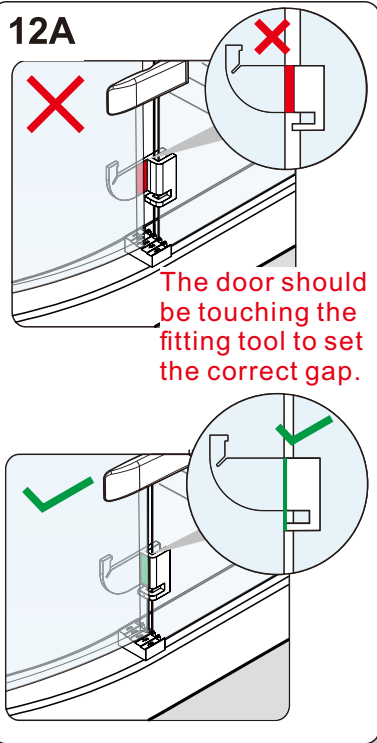


11



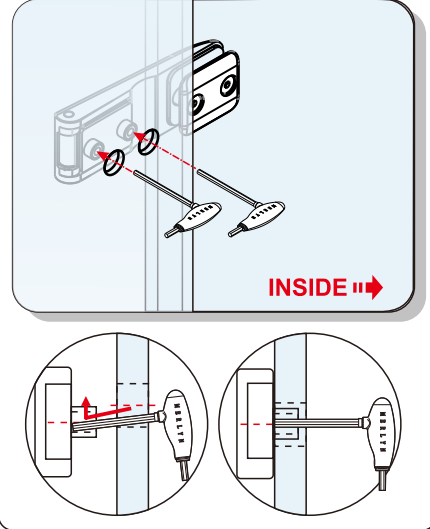
Stand inside the enclosure and lift the door onto the spacer blocks and secure with fitting aids provided.

12

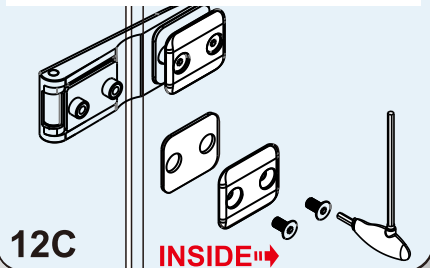


The door should be touching the fitting tool to set the correct gap.

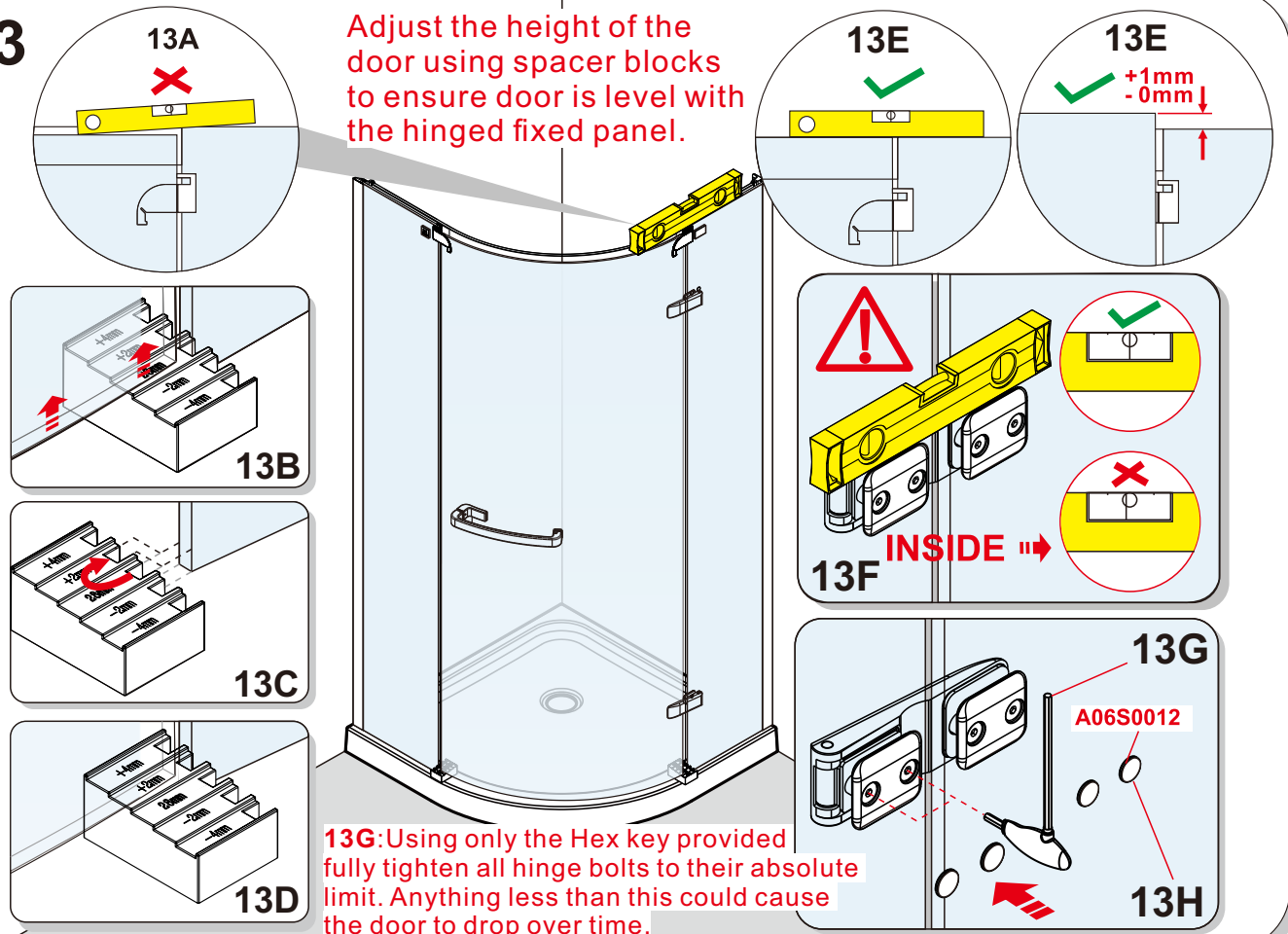
12B



**DO NOT OVERTIGHTEN!**



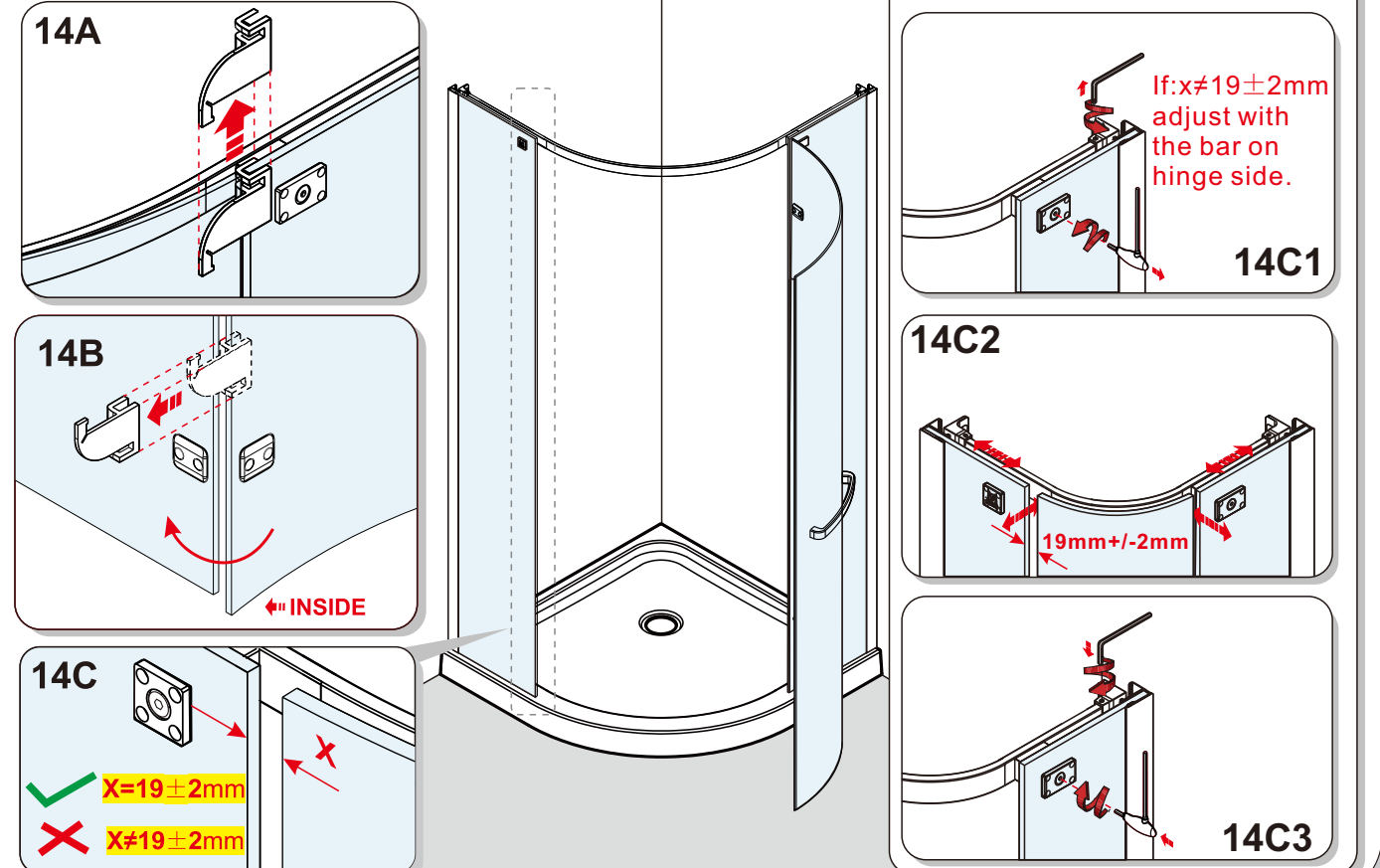
13



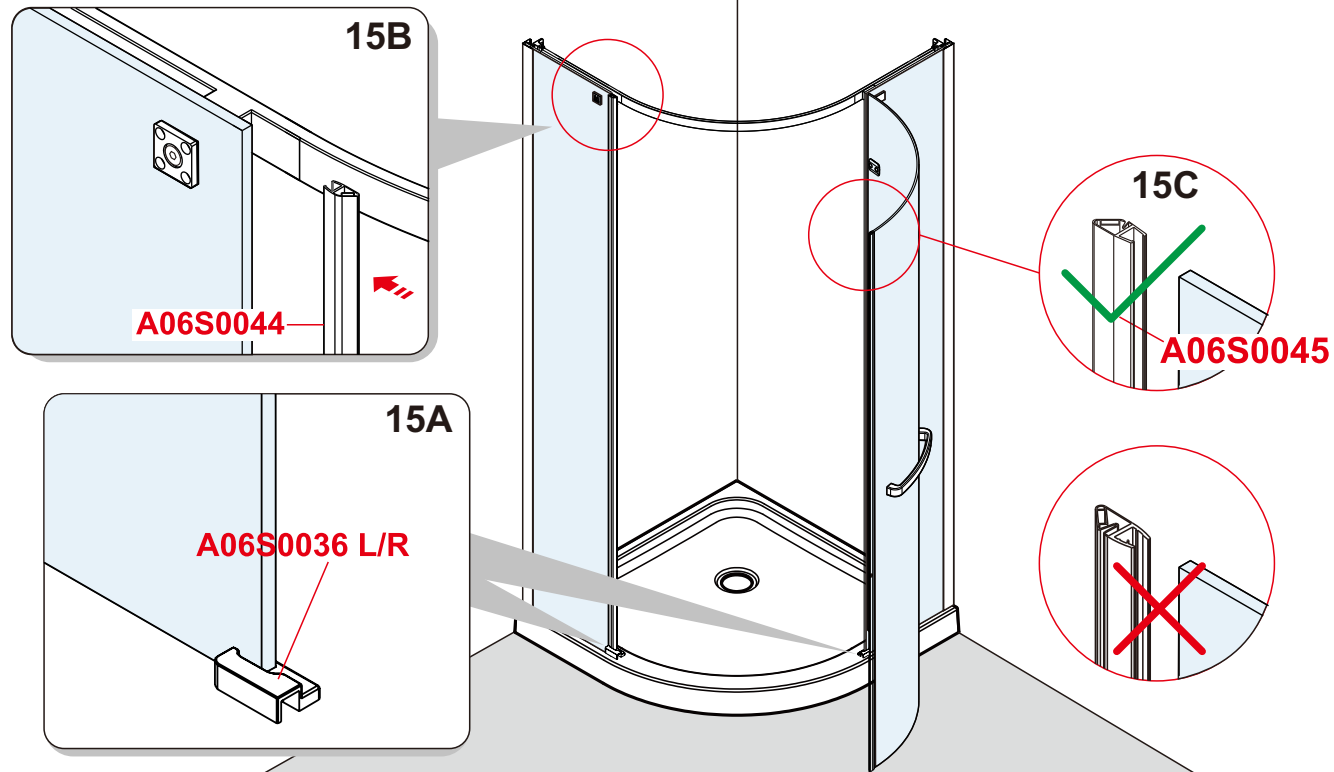
Adjust the height of the door using spacer blocks to ensure door is level with the hinged fixed panel.

13G: Using only the Hex key provided fully tighten all hinge bolts to their absolute limit. Anything less than this could cause the door to drop over time.

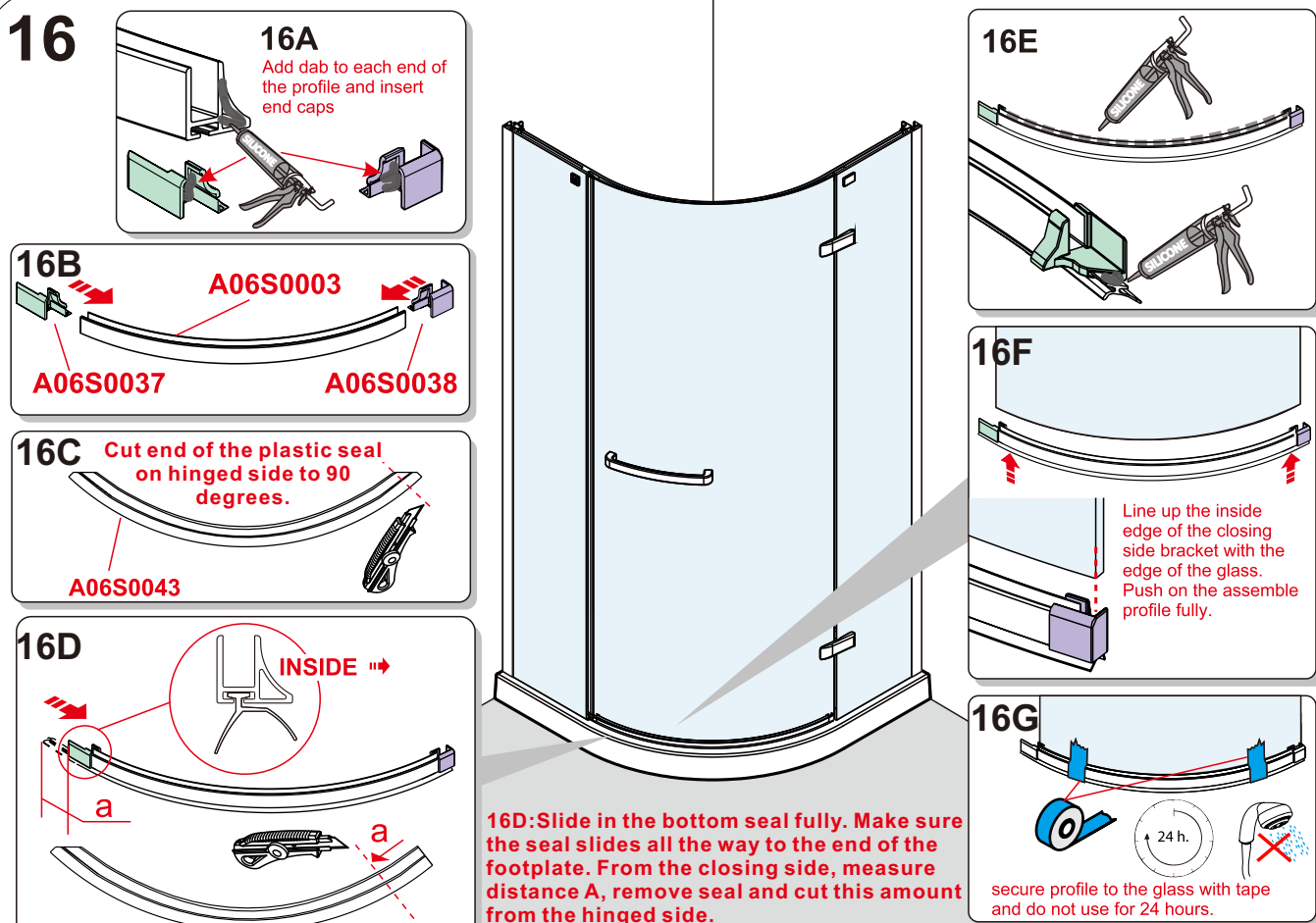
14



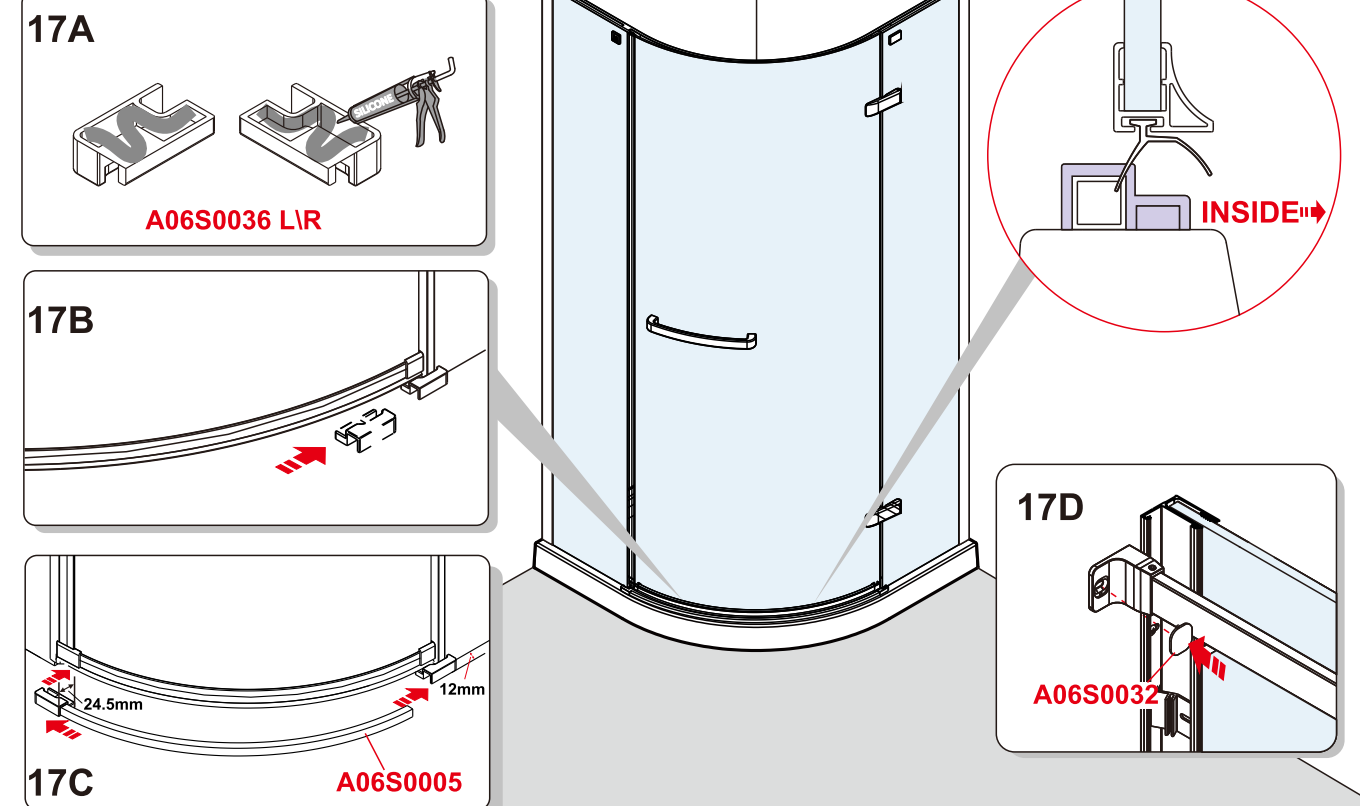
## 15



## 16



## 17



## 18

