

# INSTALLATION GUIDE

## Inline Panel



### IMPORTANT

Thank you for choosing Merlyn. Please familiarise yourself with the fitting instructions before commencing fitting.

- 1 Check that you have the tools required
- 2 Check that the installation site is compatible  with size of door supplied
- 3 Check all the enclosure components
- 4 Check that the installation kit is complete

**DO NOT** attempt to install the product unless you can tick **ALL 4** boxes as satisfactory.

The wall plugs supplied with the installation kit are for use in solid walls. Hollow or 'stud - partition' walls will require alternative fixings. Please consult a hardware supplier for the correct type.

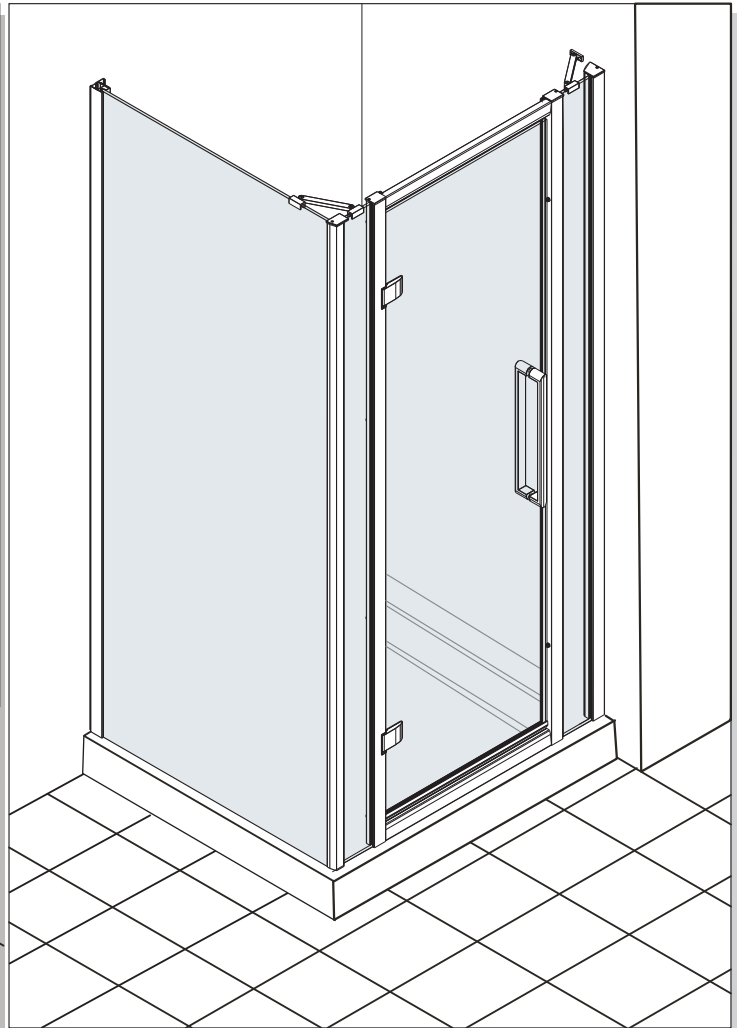
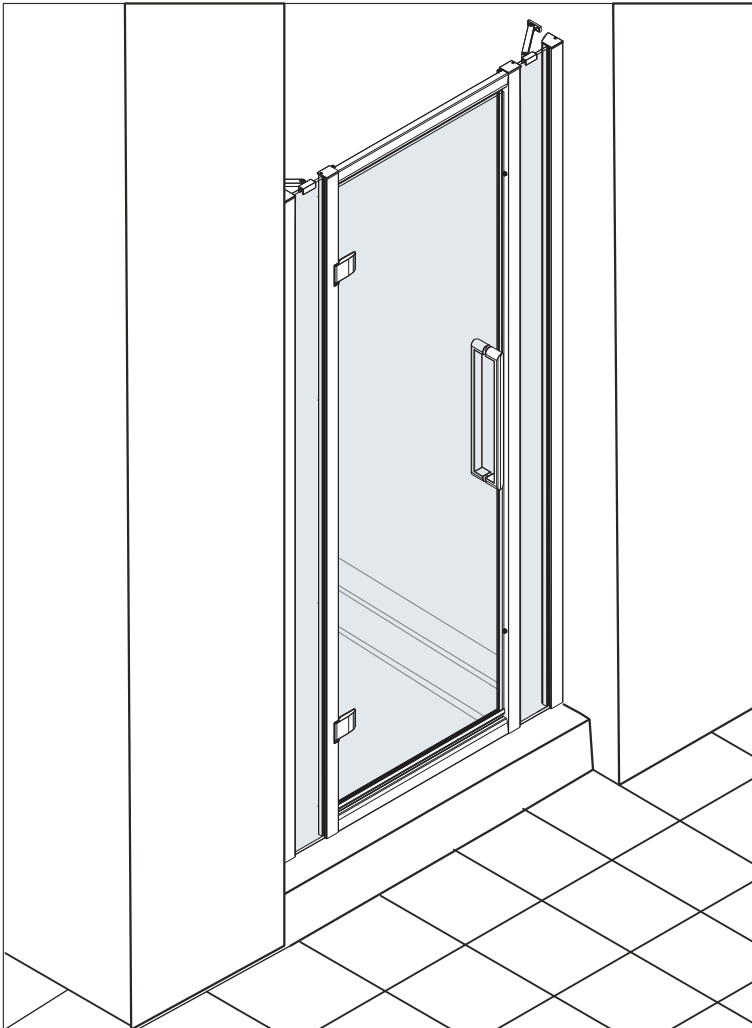
It may also be necessary to consult your tiling supplier about the correct method for drilling your tiles.

**USE SAFETY EYEWEAR WHEN DRILLING**

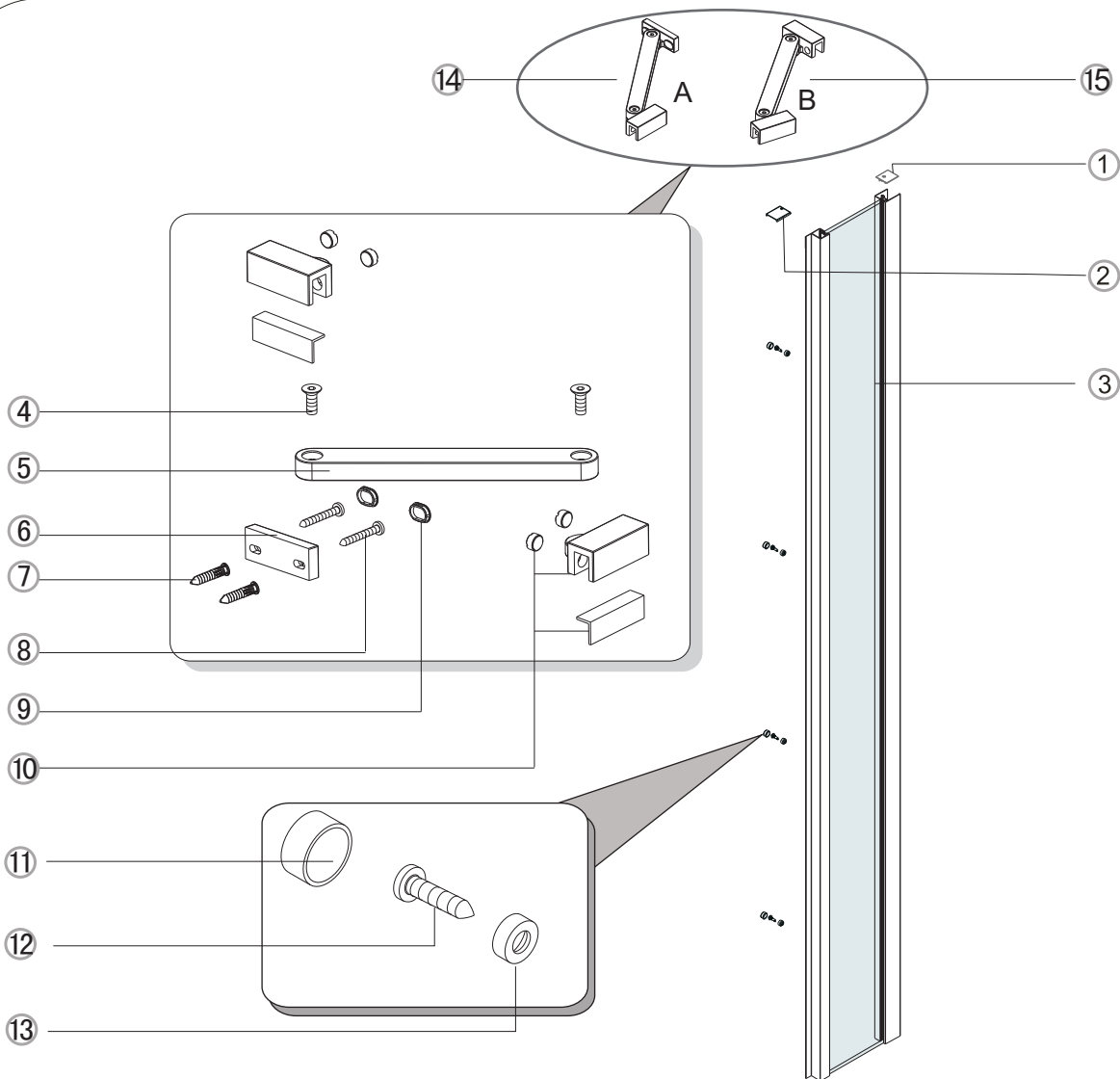
Any parts missing or damaged must be reported to your supplier within 5 days of purchase. Inspect shower enclosure before fitting. No claims will be accepted after product has been installed.

With Hinge Door

With Hinge Door and Side Panel



**COMPONENTS AND BOX CONTENTS**



**NOTE:**

Information on the door parts are available with the door installation guide-this also includes the wall profile.

The wall profile used in fitting the inline panel is taken from the door box.

Further part details for fixing kit available on Page 2.

No.	Description	Qty	Part No.	No.	Description	Qty	Part No.
1	Upright profile cover cap	2	8SSJ035L/R	9	Stabilising rail wall bracket screw cap	2	8SSJ121
2	Inline panel upright cover cap	2	8SSJ070L/R	10	Rail glass clamping bracket	2	8SCU121
3	Fixed panel	1	8SMJ911	11	Screw cover cap	4	8S110037
4	Stabilising rail fixing screw(6x16)	2	8S410316	12	Frame fixing screw(4X12)	4	8S410022
5	Stabilising rail bar	1	8SCU1233	13	Screw cover cap clip	4	8S1100371
6	Stabilising rail wall bracket	1	8SCU122	14	Complete stabilising rail 180mm A	1	8SCU1220
7	Wall plug	2	8SSJ066	15	Complete stabilising rail 180mm B	1	8SCU12110
8	Wall fixing screw(4x30)	2	8S410044				

## FIXING KIT COMPONENTS, TOOLS REQUIRED, SITE CONDITIONS

### Fixing Kit components *parts shown are not to scale*

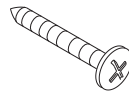
Note: other parts required are in the door fixing kit



8SSJ035L  
X1



8SSJ035R  
X1



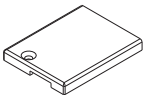
4\*30  
8S410044  
X1



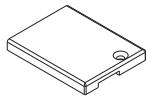
2.7\*12  
8S410045  
X2



8SSJ066  
X2



8SSJ070L  
X1



8SSJ070R  
X1



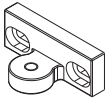
8S1100371  
X4



8S110037  
X4



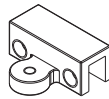
4\*12  
8S410022  
X4



8SCU122  
X1



8SSJ121  
X2



8SCU1211  
X2



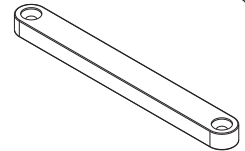
8SCU1212  
X4



8SCU1213  
X2



8S410316  
X2



8SCU1233  
X1

### Tools required

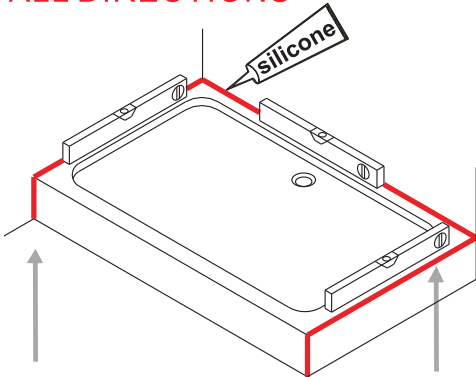
- 6mm masonry drill bit
- Power drill
- Quality silicone
- Pencil
- Spirit level and tape measure
- #2 and #1 Philips head screw driver
- Spirit level with horizontal and vertical level indicators
- 2.5mm hex key (for handle)

### IMPORTANT - Installation Site

1. Ensure the top surface of the shower tray on which the enclosure will be installed is level in every direction.
2. The tiling or other wall finishing should be effectively sealed at the tray edges.
3. Tiles should extend at least to the corners of the tray and a minimum of 2 metres from the top of the tray.

## POSITIONING OF WALL PROFILES

**TRAY MUST BE 100% LEVEL IN ALL DIRECTIONS**



Ensure the shower tray is level in all directions and is properly sealed to the wall. The wall must be tiled down to the top edge of the tray. **Do not angle out bottom tile.**

**TRAY MUST BE SEALED FULLY AROUND WHERE THE TRAY MEETS THE WALL.**

### Step 1

Place the wall profile **8SALMJ9071** 20mm from the edge of the tray. Ensure the wall profiles are plumb.

### Step 2

Mark the position for fixing the wall profile to the wall.

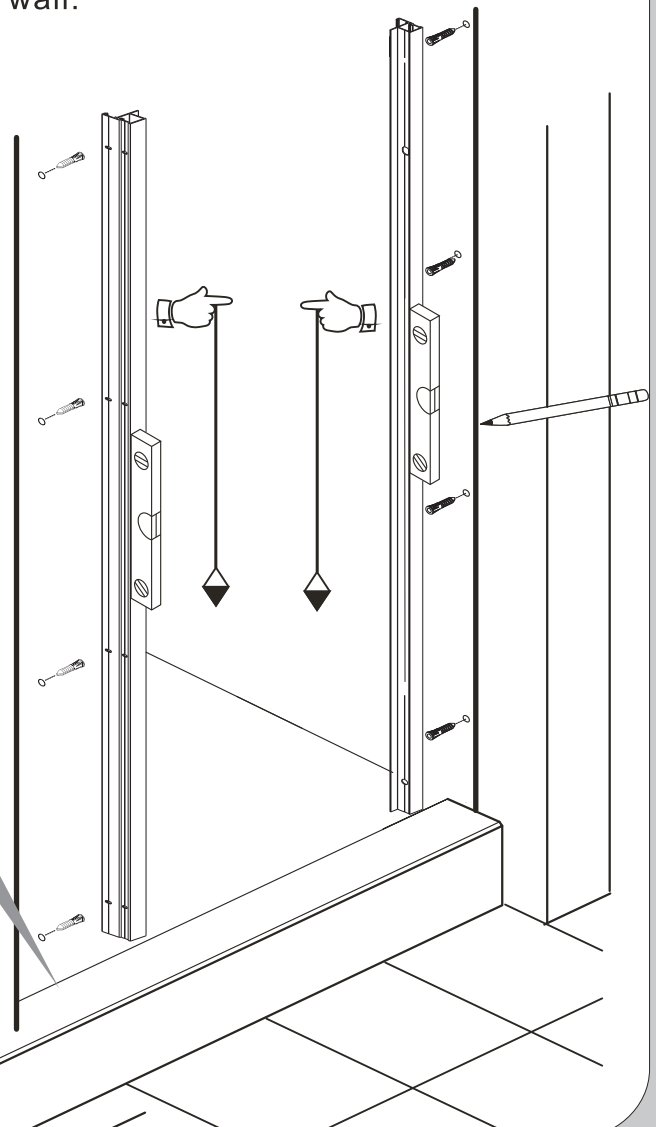
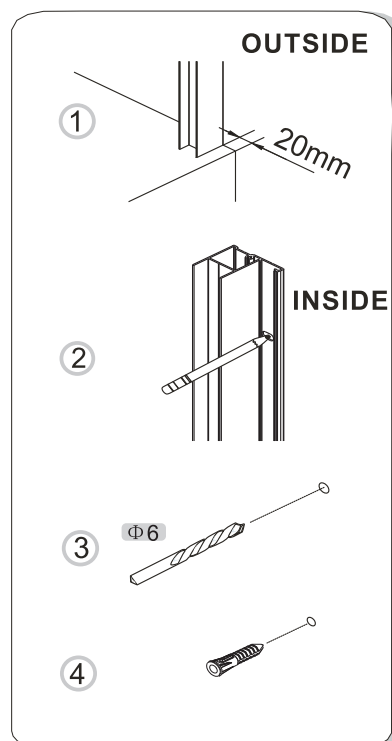
**IMPORTANT: MARK THROUGH THE CENTRE OF THE SLOT.**

### Step 3

Drill holes with 6mm masonry bit .

### Step 4

Insert the wall plugs **8SSJ066**, repeat steps 1-3 for the other panel.



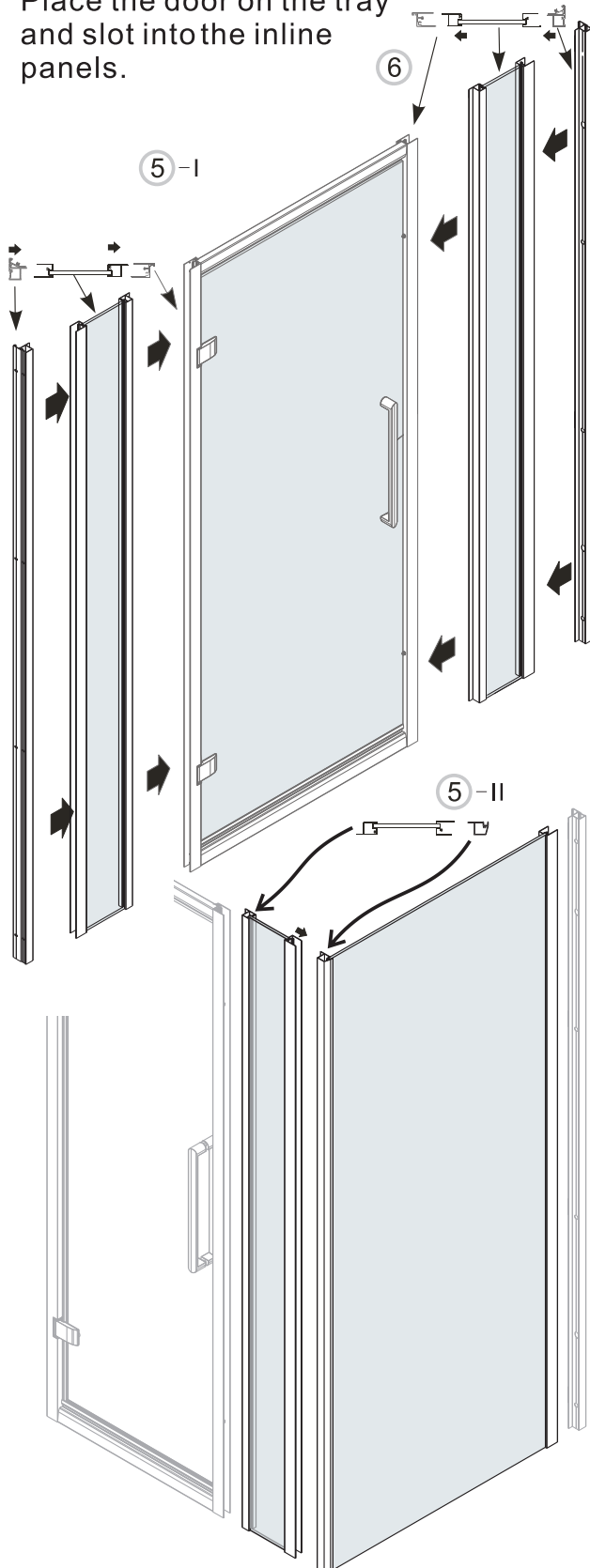
## FIXING WALL PROFILES TO WALL

### Step 5

Insert the inline panels into the wall profiles (5-I) or side panel (5-II).

### Step 6

Place the door on the tray and slot into the inline panels.



### Step 7

Adjust the door and inline panels until all are lined up correctly. Ideally use up the adjustment at the wall profile first and then between the door and inline panel. Ensure the glass panel and door frame are square (should be an even gap between the bottom of the glass panel and bottom profile).



## FIXING FRAME TO WALL PROFILES

### Step 8

Drill 4 equally spaced holes with 3mm drill bit **8S1301152** in the door frame to fix it to the inline panels.

### Step 9

Use screw **8S410022** and screw cover cap clip **8S1100371** to fix the door to the panels. Then insert screw cover cap **8S110037**.

### Step 10

Drill 5 equally spaced holes with 3mm drill bit **8S1301152** through the nylon clip **8SSJ037b**, wall profile and pentangle frame.

### Step 11

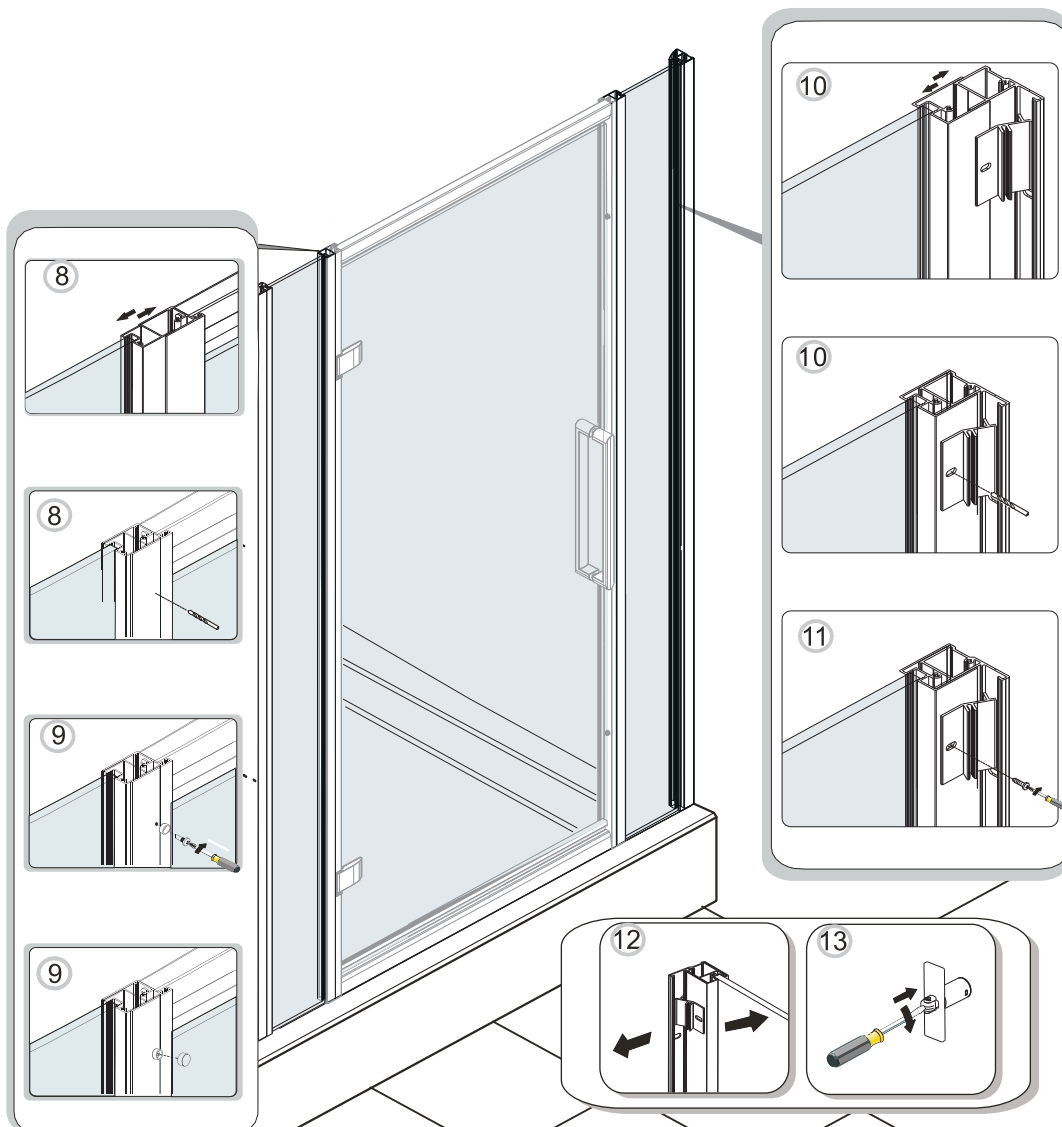
Fix the frame with screws **8S410047**. The door spacers can now be removed (if applicable).

### Step 12

The door panel when closing should meet the top and bottom ball catch at the same time. If not, loosen the screw fixing the wall profile to the wall and adjust the top or bottom of each wall profile in or out until the door closes evenly. Tighten the wall fixing screw.

### Step 13

The ball catch can be adjusted in and out to ensure the door panel closes smoothly. Do not adjust out too much.



**Note:** See door instruction for correct adjusting and fitting of the door.

## FITTING COVER CAPS AND HANDLE, SEALING

**Step 14**  
Attach the wall profile trim strip **8SAL0002b**.

**Step 15**  
Fix the door frame and inline panel cover caps **8SSJ035L/R**.

**Step 16**  
Fit inline panel cover caps **8SSJ070L/R** and wall profile cover caps **8SSJ036L/R** with screws **8S410045**.

**Step 17**  
Position the complete inline panel rail on the glass and level. Mark position for fixing the wall fixing **8SCU122** to the wall.

**Step 18**  
Drill with 6mm masonry drill bit and insert wall plug **8SSJ066**. Fix with 4x30 screws **8S410044**.

**Step 19**  
Position the stabilising rail glass clamp onto the middle (or a little closer to the door for a better fixing) inline panel ensuring the washer **8SCU1213** is present (do not tighten). Fix the rail to the wall using the fixing screws **8S410044** and insert cover caps **8SSJ121**. Tighten the glass clamp to the inline glass panel. If using side panel replace the wall fixing **8SCU122** with the additional glass clamp **8SCU1211**. To adjust the glass clamp and wall bracket, loosen the screw **8S410316**, adjust and retighten.

**24 HRS**  
~~DO NOT USE THE ENCLOSURE FOR 24 HOURS AFTER SEALING~~

Follow the remaining instructions of the door to complete. Add sealant also where the bottom profile and upright profiles join and also where the wall profiles and frame profiles overlap 50mm up.

### SERIES 8 INLINE PANEL

WE ARE SURE YOU WILL BE PLEASED WITH YOUR NEW MERLYN SHOWER DOOR.

Where a shower door has been installed contrary to these instructions, Merlyn cannot accept responsibility for any loss or damage, however caused, and any on-site service may incur a charge.

www.merlynbathrooms.com

FAILURE TO FOLLOW THE INSTRUCTIONS CORRECTLY MAY INVALIDATE YOUR GUARANTEE

# Trouble Shooting Guide

## Inline Panel



- ① Do the finished measurements on the tray comply with the adjustments listed in the product specifications book?
- ② Is the tray level and secured? (See page 3)
- ③ Are the wall profiles stepped in the recommended 20mm? (See step 1)
- ④ Are the wall profiles plumb, checked with a plumbing line/spirit level? (See step 1)
- ⑤ Is any part of the enclosure overhanging the outer edge of the shower tray? (See step 1)
- ⑥ Are doors closing evenly on the ball catches? (See door instructions)
- ⑦ Is the unit silicone sealed correctly? (See door instructions)
- ⑧ Is the door closing smoothly on the ball catches? (See door instructions)