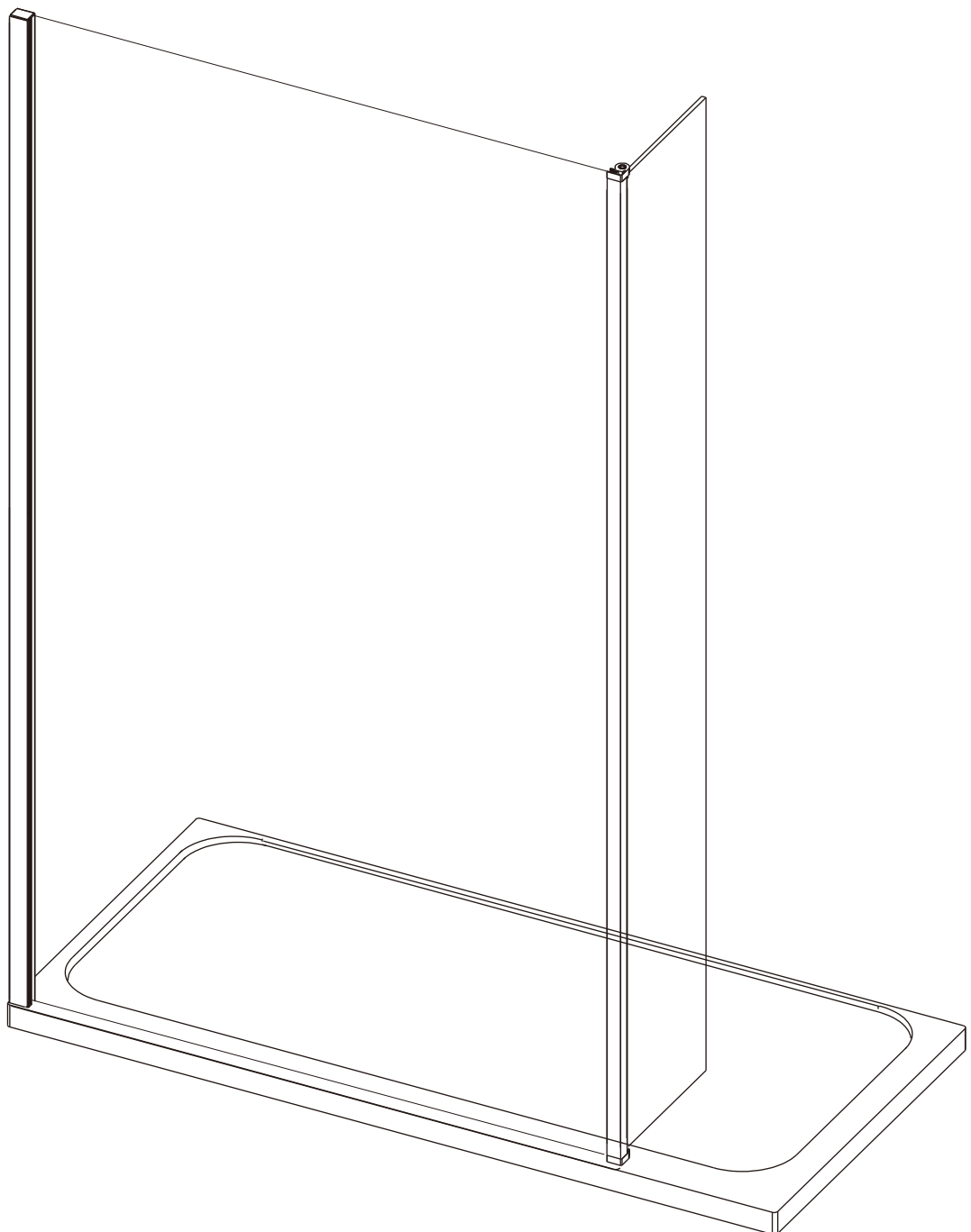


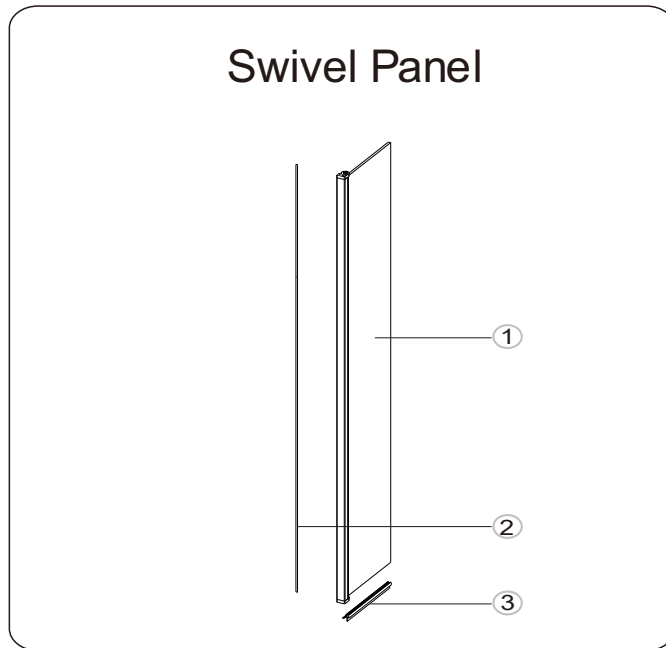
MERLYN™

Wetroom Collection

8MM WETROOM SWIVEL PANEL INSTALLATION GUIDE



If you install the product in a way that differs from this manual this will void all guarantees. Before installation check that the product meets all your requirements and is not damaged. By proceeding with installation, you accept the condition of the product.



No.	Qty	PART DESCRIPTION	CHROME	MATT BLACK	BRUSHED BRASS	BRUSHED BRONZE
1	1	GLASS PANEL	A	A	A	A
2	1	SWIVEL PANEL WEDGE GASKET	A04S0013	A04S0013B	A04S0031	A04S0031
3	1	BOTTOM SEAL	A04S0018	A04S0015B	A04S0015	A04S0015

Left hand

Right hand

Step 1 – Remove swivel panel from packaging. Install the swivel panel in required orientation. Product is reversible and no brackets need to be removed to change handing.

NOTE: Ensure swivel panel swings inward across the tray area (as shown above). If swivel panel swings outward panel is installed in the incorrect handing.

