

9088/BL Freestanding Bath Shower Mixer Instruction

IMPORTANT

Please read these instructions carefully and keep in a safe place for future reference. If you are unsure of any part of the instructions in this document then we recommend that you contact a reputable qualified trades person.

INTRODUCTION

The Model supplied may vary from the image shown below. Please note that the general installation process for Freestanding Bath Shower Taps are the same and the following guide will take you through the process.

REMOVING EXISTING TAPS / MIXERS

1. After disconnecting the water supply, drain the pipework. Unscrew the nuts connecting the water pipes to the fittings.

2. Save and inspect the fibre washer between the base of the flexi tails and the water pipe.

FITTING NEW MIXER

1. Identify all components and ensure there is no damage prior to starting the installation. No claims can be made after fitting the product.

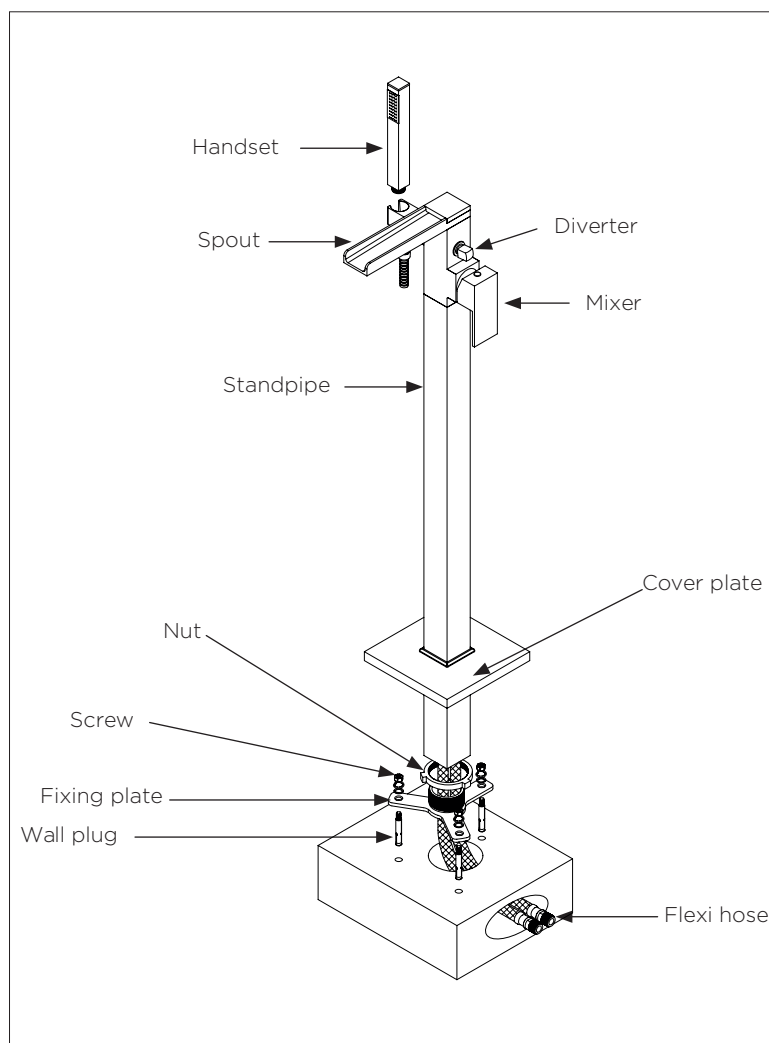
2. Place fixing plate on the floor in desired position and mark hole locations.

3. Drill through the marked positions on the floor. Place wall plugs into the 3 drilled holes.

4. Connect the flexi hoses through the prepared holes to the hot and cold water supply.

5. Ensure tap is in the OFF position. Turn on the water supply and check for watertightness around the flexi hoses.

6. Line the fixing plate up with the 3 wall plugs whilst the tap assembly is in position. Tighten the six screws to secure the standpipe.



7. Tighten the nut to secure assembly onto the fixing plate. Once secure slide the cover plate over the fixing plate.

8. Turn on water supply and allow to run for a few minutes to flush out the piping system thoroughly. Check connections for watertightness.

9. Freestanding tap is now installed. Note: Pull out the diverter to operate the hand shower.

The logo for Niagara, featuring the word "niagara" in a lowercase, sans-serif font with a registered trademark symbol, set against a black rectangular background.

BY CAVALIER BATHROOMS

9088/BL Freestanding Bath Shower Mixer Instruction

Guarantee

For full details of our guarantee please refer to our website. Our products are backed by a 10 year guarantee, this is only valid to customers who complete and submit the online Niagara® Guarantee Registration Form within 30 days of installation. Please note that products with finishes other than Chrome are guaranteed for 2 years only, these products must also be registered online to activate the 2 Year Guarantee. To register and activate your guarantee please visit www.niagarabathrooms.co.uk

Aftercare

Care **MUST** be taken when cleaning our products to avoid damaging the fitting or finish. To maintain the appearance of the fitting, please ensure it is cleaned regularly using only a clean soft damp cloth. Whilst all of our products are durable the finishes are vulnerable to some strong substances, we only recommend the use of warm soapy water, **DO NOT** use abrasive sponges, strong household cleaners, scouring agents, organic solvents or acidic cleaners as they may cause surface deterioration, peeling or change of colour.