



BY CAVALIER BATHROOMS

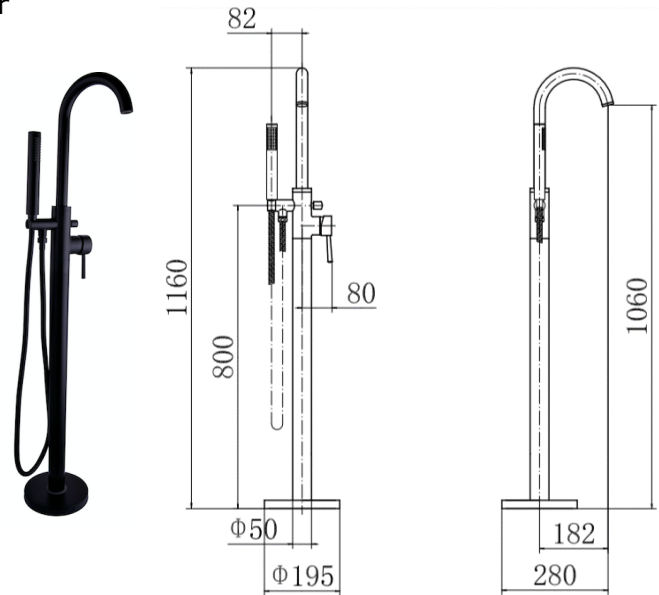
# Harrow 9096BL FREE STANDING BATH SHOWER MIXER - BLACK

## PRODUCT SPECIFICATION

Product Code: 9096BL  
 Finish: Matt Black  
 Description: Free Standing Bath Shower Mixer  
 Inlet Connections: M10\*1\*1/2\*910  
 Construction: Body: Brass  
 Handle: Zinc  
 Cartridge: 40mm ceramic cartridge  
 Gross Weight (kg): 5.463

## ADDITIONAL INFORMATION

- Matt black finish
- Flexible inlets
- 2 year guarantee\*



## WORKING PRESSURES (bar)

Min Pressure	Max Pressure	Best Performance
0.2 bar	5 bar	2 bar

## FLOW RATES (litres per minute)

0.5 Bar	1 Bar	3 Bar
11	15.5	26.7

\* For full details of our guarantee please refer to our website. Our products are backed by a 10 year guarantee, this is only valid to customers who complete and submit the online Niagara® Guarantee Registration Form within 30 days of installation. Please note that products with finishes other than Chrome are guaranteed for 2 years only. To register and activate your guarantee visit: [www.cavalierbathrooms.co.uk](http://www.cavalierbathrooms.co.uk)

Products are supplied with full installation instructions and fixings. All measurements in mm and are nominal.