



BY CAVALIER BATHROOMS

Holborn 9099 BATH FILLER - CHROME

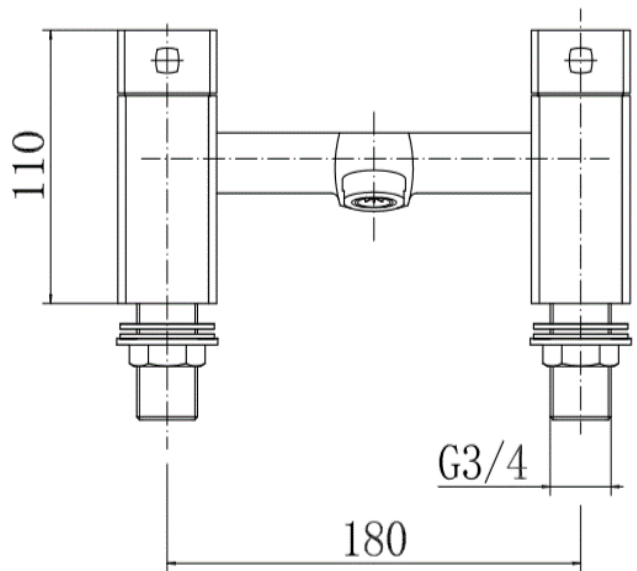
PRODUCT SPECIFICATION

Product Code: 9099
 Finish: Chrome
 Description: Bath Filler
 Inlet Connections: 3/4 BSP
 Construction: Body: Brass
 Handle: Zinc
 Cartridge: G3/4 quarter turn cartridge
 Gross Weight (kg): 1.86



ADDITIONAL INFORMATION

- Chrome finish
- Back nut
- 10 year guarantee*



WORKING PRESSURES (bar)

Min Pressure	Max Pressure	Best Performance
0.2 bar	5 bar	2 bar

FLOW RATES (litres per minute)

0.5 Bar	1 Bar	3 Bar
34.7	48.4	78.5

* For full details of our guarantee please refer to our website. Our products are backed by a 10 year guarantee, this is only valid to customers who complete and submit the online Niagara® Guarantee Registration Form within 30 days of installation. Please note that products with finishes other than Chrome are guaranteed for 2 years only. To register and activate your guarantee visit: www.cavalierbathrooms.co.uk

Products are supplied with full installation instructions and fixings. All measurements in mm and are nominal.