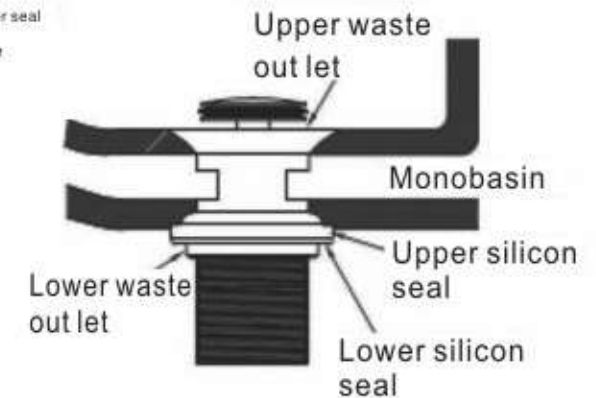
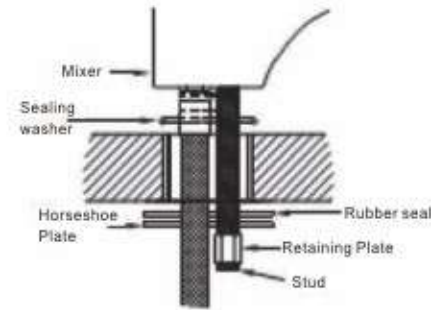


COMPONENTS

The Bath filler contains the following:

- 1 Sealing washer
- 2 Rubber seal
- 3 Horseshoe plate
- 4 Retaining nut
- 5 Stud



INSTALLATION

1. Screw the stud into the hole in the base of the mixer unit and secure.
2. Slide the rubber seal and horseshoe plate over the stud and secure the mixer assembly in place using the nut provided.
3. Slide the silicon seal onto the upper waste outlet and fit the lower silicon seal onto the lip on the lower waste outlet. Place the upper waste fitting into the drainage hole in the mono basin. Screw the lower waste outlet into the upper waste outlet.

Fitting the waste unit

Slide the silicon seal onto the upper waste outlet and fit the lower silicon seal onto the lip on the lower waste outlet. Place the upper waste fitting into the drainage hole in the mono basin. Screw the lower waste outlet into the upper waste outlet.

Eastbrook 

Eastbrook Road, Gloucester GL4 3DB

Technical Helpline: 01452 317890

email: technical@eastbrookco.com