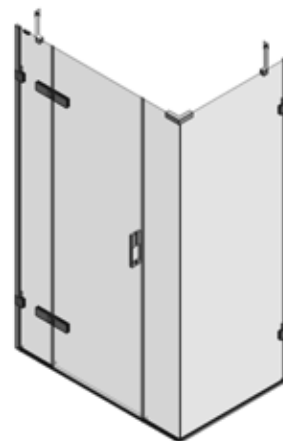
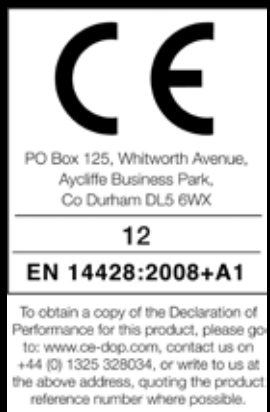


Hinge Door + Two Inline Panels

Instruction Manual

KLHDR + KLHR + KHR



IMPORTANT INFORMATION

- Toughened glass is completely safe for use in our shower enclosures and bath screens; providing our products are installed according to our guidelines.
- It is important to note that the glass must not be mounted or 'pinched' in such a way that would cause a stress point to develop in the glass. In addition, it must not be subject to any sharp impact or severe temperature fluctuation which may also cause a stress point to develop in the glass.
- Toughened glass is physically and thermally significantly stronger than standard glass. During the toughening process the stresses contained within any glass are balanced so if in the unlikely event situation any of the above occurs and the glass breaks, the glass will shatter safely into small thumbnail sized blunt fragments.

PRE-INSTALLATION CHECKS

1. Check you have the correct product. Please look at the labels on the side of the product packaging.
2. Check all the product components are in the box and the fixing kits.
3. Unpack your product and handle it with care.
4. Please check the product for defects or damage, once the installation has commenced we cannot accept responsibility for any defects or damage.
5. Please take time to read these instructions prior to installing your product.
6. Before you commence any drilling check there are no hidden electrical cables and/or water pipes.
7. No attempt should be made to re-work the toughened safety glass.
8. The installation of the product should be performed by two persons.
9. It is strongly recommended that the walls the product is going to be installed on are vertical.
10. It is strongly recommended the product is fitted on a tiled surface or similar waterproof surface.
11. It is strongly recommended the walls are tiled and grouted before the product is installed.
12. If the walls and/or the tray are not level you will not achieve maximum adjustment of the product.
13. Pictures used are for illustration purposes only, product designs may alter slightly as a result of continuing product development.
14. We do not stipulate where the European Standard Kite Mark should be positioned on the glass when being factory assembled.
15. Please note that some natural misting may occur when you remove this product from its packaging, due to the addition of the glass protection pre-coating. If this does occur this can easily be removed with a soft, dry cloth.

Equipment Check List: Not Supplied

Description
Electric / Battery Drill
Pozi Screwdriver
Sealant Gun / Sealant
Spirit Level (Large)
7mm Masonry Drill Bit
Tape Measure
Pencil
Torque Wrench
Stanley Knife / Snips

Component Check List: Supplied

Description	Quantity
Wall Profiles	2
Inline Panel Glass	2
Hinges	2
Door Glass	1
Handle Assembly	1
Inline Panel Seals	2
Bottom Seal - Bottom Rail (Sloped)	1 of each
Wall Profile Top Caps	2
Wall Brackets	4
Wall Brace Assembly (Left and Right Hand)	1 of each
Blanking Ends (Left and Right Hand)	1 of each
Dam to Profile Joints	2

Fixing Kit Components	Quantity		
	KLHDR	KLHR	KHR
Door Setting Blocks	4	-	-
40mm long Csk Head Screws	-	5	5
Wall Plugs (Brown)	-	9	9
Branding Clip	1	-	-
Panel to Panel Tape	-	-	3

CONSUMER GUARANTEE

Please make sure the purchaser/end user completes and returns the guarantee card which is enclosed with this product. Failure to validate the Guarantee will mean only the 1 Year Statutory Guarantee will apply.

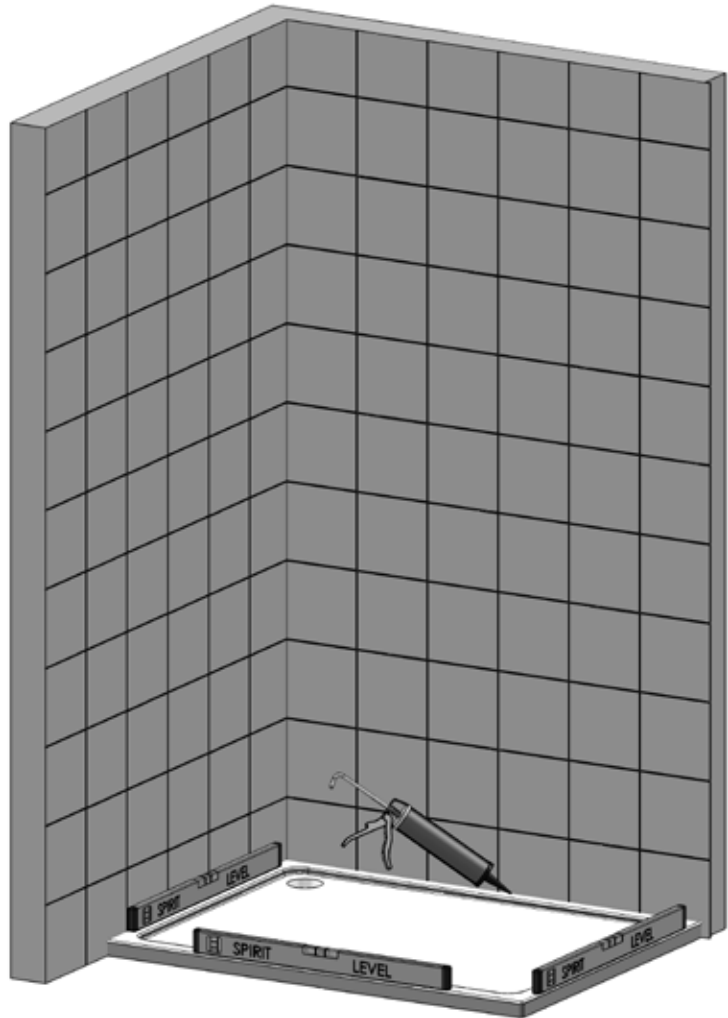
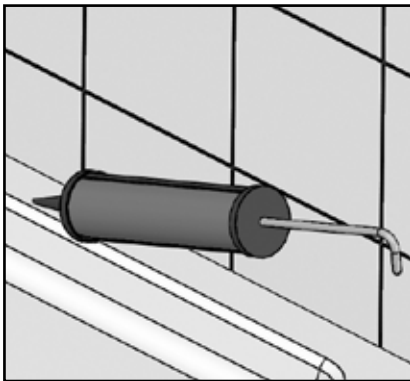
Step 1 - Pre-Installation Checks and Aperture Sizes

Inline Panels	Minimum	Maximum
KLHR1213	1173	1187
KLHR1413	1373	1387
KLHR1613	1573	1587

IMPORTANT: The above are finished tiled sizes

Side Panel	Minimum	Maximum
KHR813	773	787
KHR913	873	887

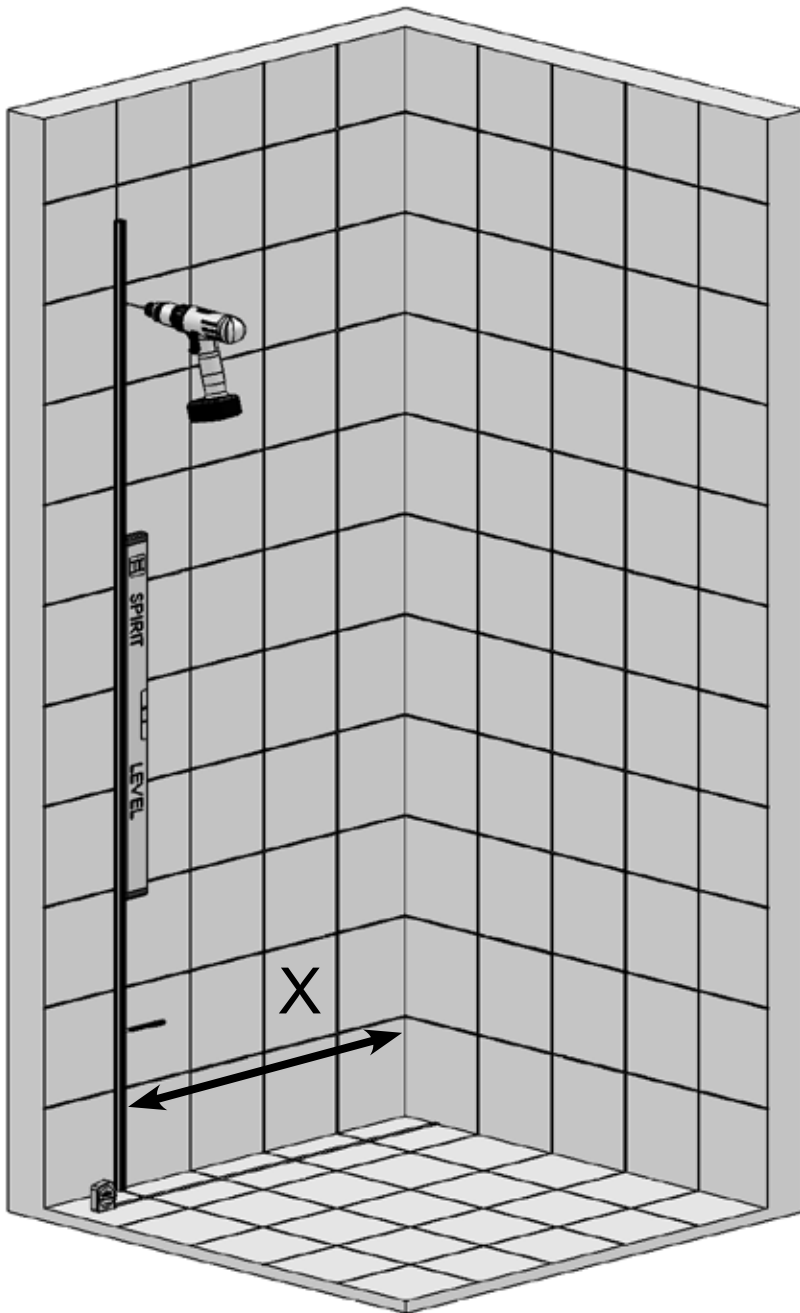
IMPORTANT: The above are finished tiled sizes



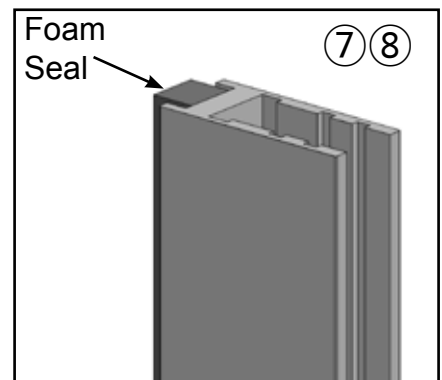
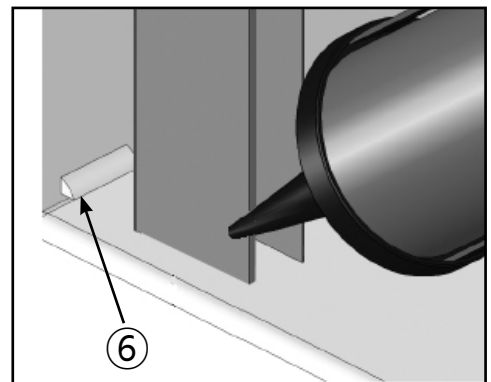
1. Check the tray is level on all sides (the bubble on the spirit level must be in the centre of the 2 lines).
2. Stand in the tray and check that there is no adverse movement (correct if necessary).
3. The walls should be tiled and grouted up to the tray.
4. The tiles and the tray should be sealed using a good quality bathroom sealant.
 - **Spray the seal and joints with the shower head and check for leaks when the silicon has cured.**
 - **Check the plumbing for leaks.**
 - **DO NOT plasterboard over the tray.**
 - **DO NOT grout the tiles when the enclosure has been fitted, the grout may discolour the aluminium profiles.**
 - **Make sure the tray is installed as per the manufacturer's instructions.**
 - **When all of the above has been completed please proceed to the Step 2.**

Step 2 - Inline Panel Position

IMPORTANT: Use the table below for the positioning of the Wall Profile. Note the dimensions given are from the tiled wall to the inside of the Wall Profile. Placing some Masking Tape on the Tiled Wall in the position where the Wall Profile is to go will not only help with marking out but will also help protect the tiles when drilling.



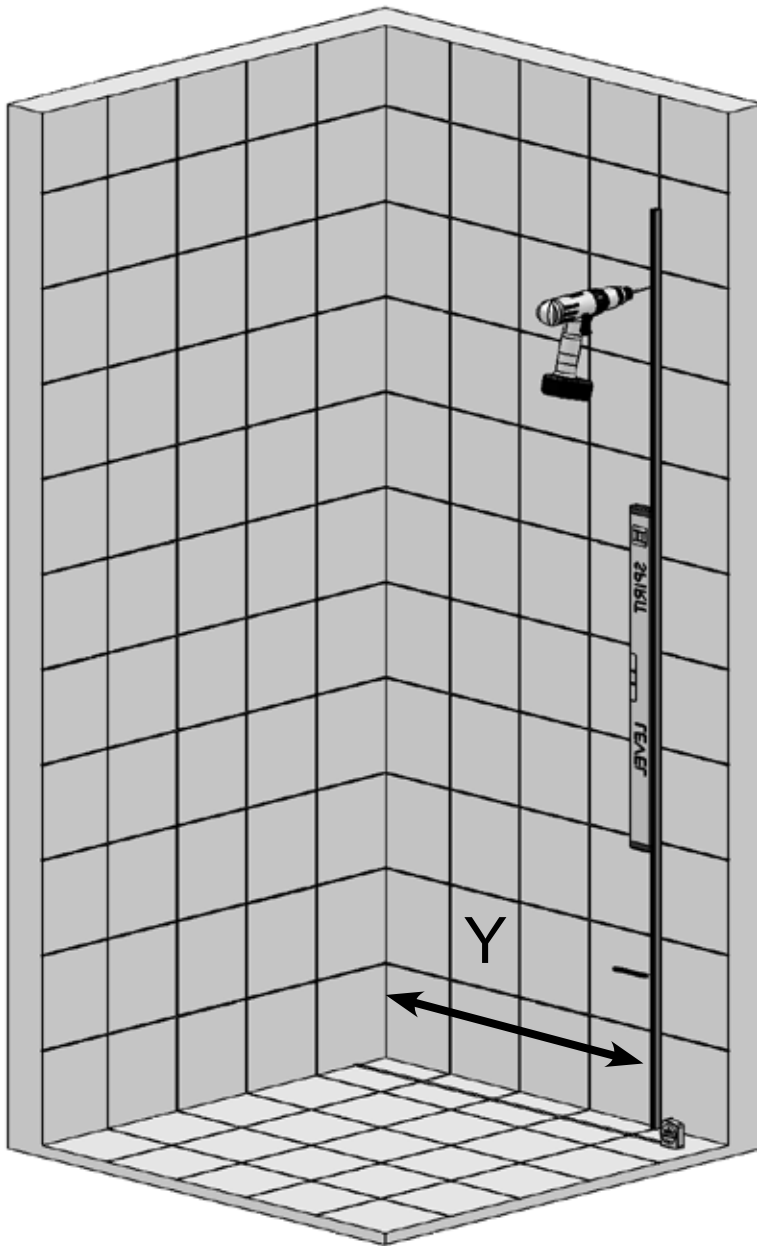
To Suit Side Panel	Dimension X
KHR813	767
KHR913	867



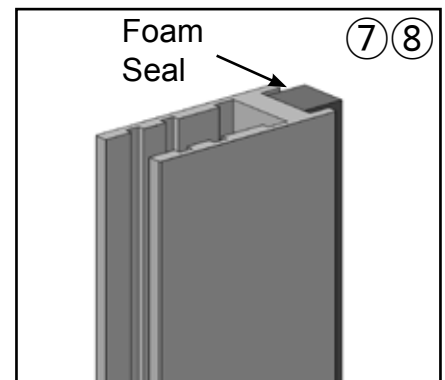
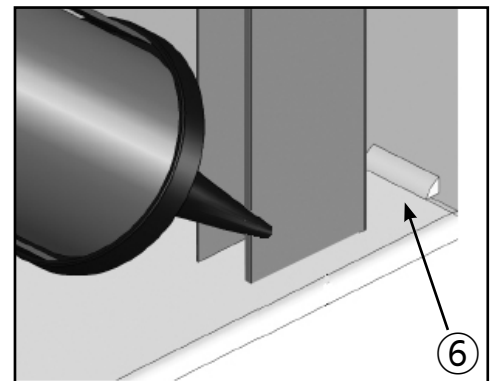
- Using the table above mark the wall at the required distance (dimension "X") to suit your Side Panel size.
- Place a Spirit Level onto the pencil mark and add a pencil line fully up the wall.
 - IMPORTANT: You MUST ensure that the Spirit Level is completely vertical when marking the wall.**
- Place the inside of the Wall Profile onto the pencil line making sure that it is fully vertical.
- Mark the wall through the holes in the Wall Profile.
- Drill the wall with a 7mm masonry drill (not supplied). Remove the Masking Tape and fit the Wall Plugs and remove any debris.
- Apply a bead of sealant the width of the Panel Profile where it meets the top of the tray and the tiled wall.
- Place the Wall Fixing screws into the holes in the Panel Profile, carefully move the Foam Seal to one side to allow the screws through if required.
 - IMPORTANT: DO NOT remove the Foam Seal.**
- Line up the screws with the holes in the Wall and tighten all the screws.
 - NOTE: Tighten the screws evenly, ensure the Foam Seal does NOT protrude out from the Panel Profile.**

Step 3 - Return Panel Position

IMPORTANT: Use the table below for the positioning of the Wall Profile. Note the dimensions given are from the tiled wall to the inside of the Wall Profile. Placing some Masking Tape on the Tiled Wall in the position where the Wall Profile is to go will not only help with marking out but will also help protect the tiles when drilling.



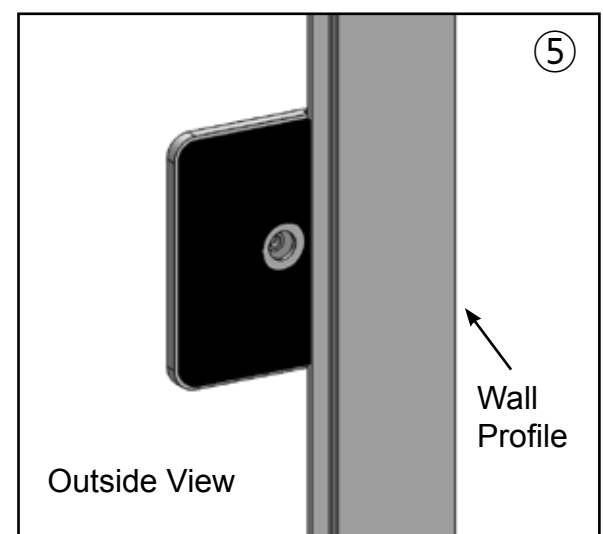
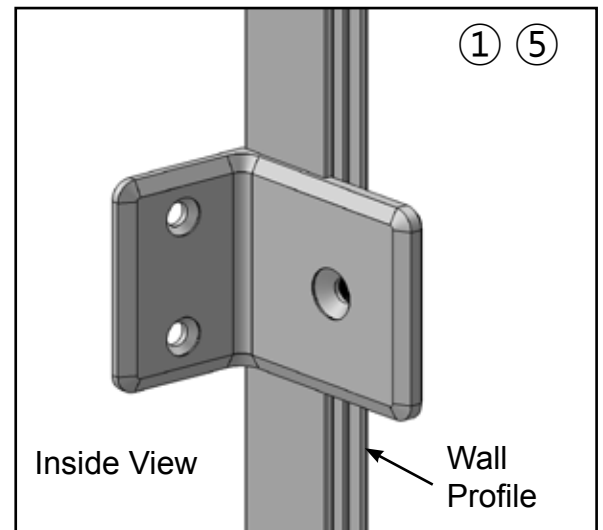
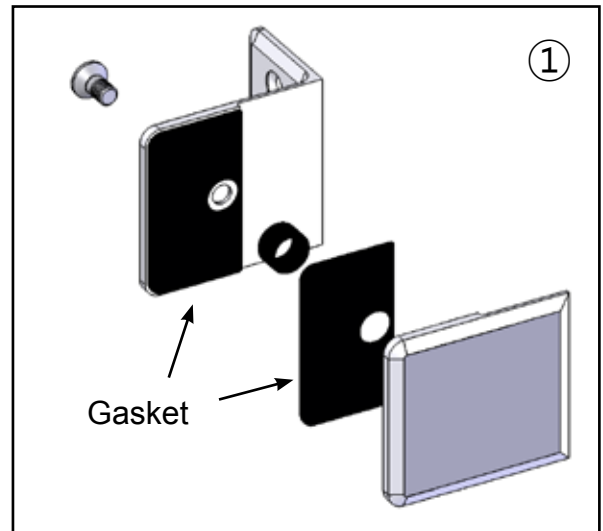
To Suit Door + Inline	Dimension Y
KLHR1213	1166
KLHR1413	1366
KLHR1613	1566



- Using the table above mark the wall at the required distance (dimension "Y") to suit your Door + Inline size.
- Place a Spirit Level onto the pencil mark and add a pencil line fully up the wall.
 - IMPORTANT:** You **MUST** ensure that the Spirit Level is completely vertical when marking the wall.
- Place the inside of the Wall Profile onto the pencil line making sure that it is fully vertical.
- Mark the wall through the holes in the Wall Profile.
- Drill the wall with a 7mm masonry drill (not supplied). Remove the Masking Tape and fit the Wall Plugs and remove any debris.
- Apply a bead of sealant the width of the Panel Profile where it meets the top of the tray and the tiled wall.
- Place the Wall Fixing screws into the holes in the Panel Profile, carefully move the Foam Seal to one side to allow the screws through if required.
 - IMPORTANT:** **DO NOT** remove the Foam Seal.
- Line up the screws with the holes in the Wall and tighten all the screws.
 - NOTE:** Tighten the screws evenly, ensure the Foam Seal does **NOT** protrude out from the Panel Profile.

Step 4 - Panel Wall Bracket Positions

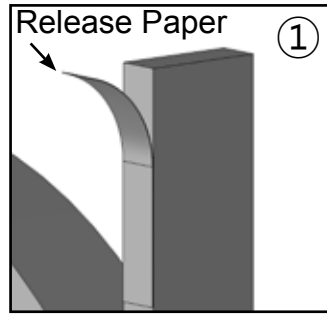
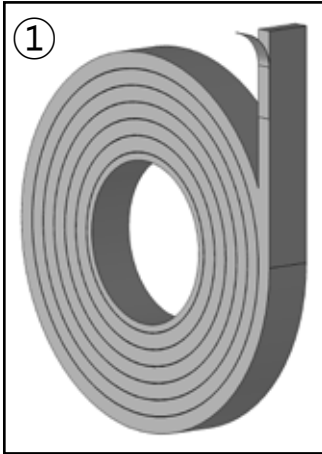
Note: Use the procedures below for both Panels.



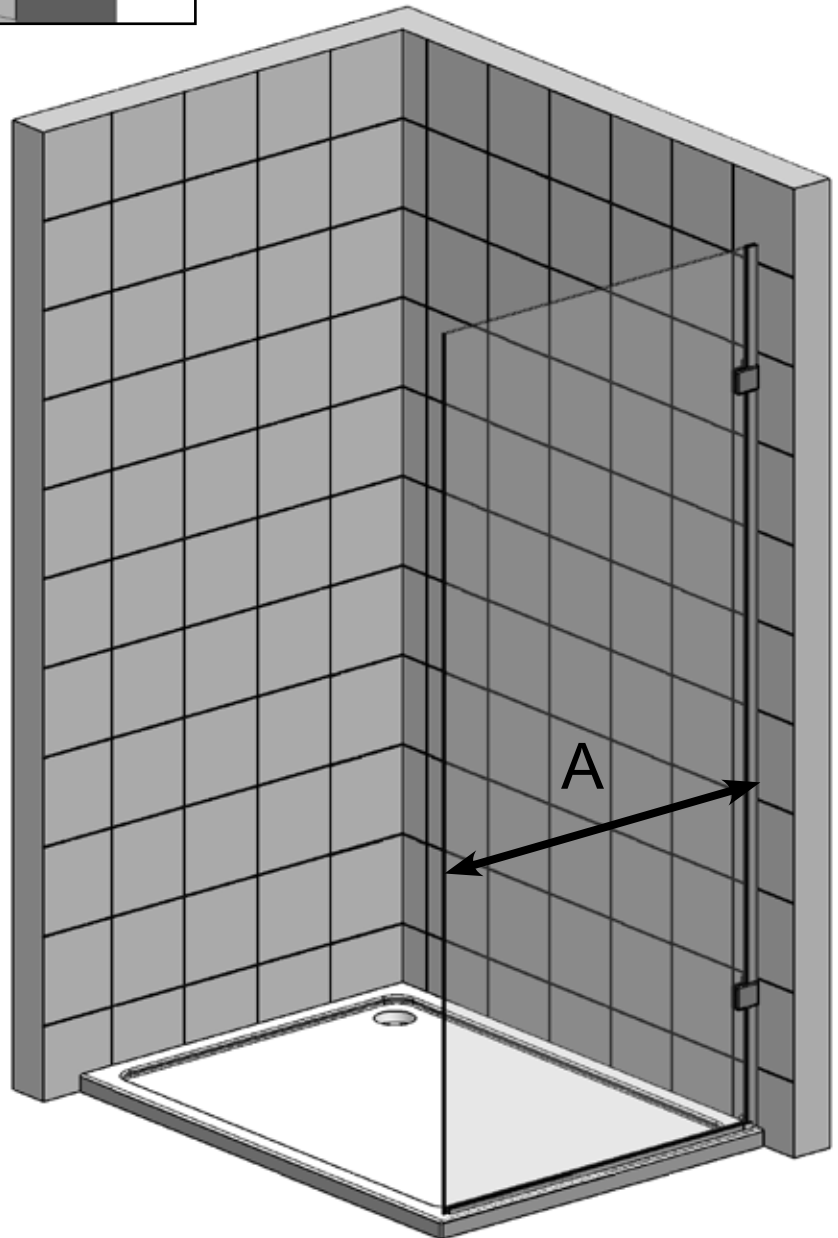
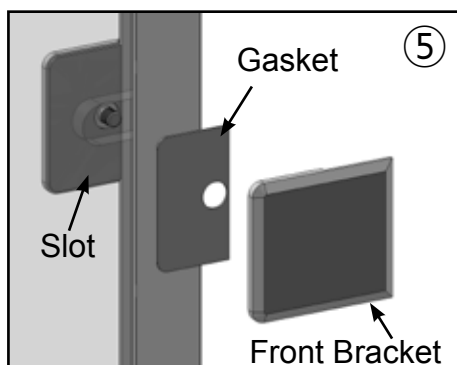
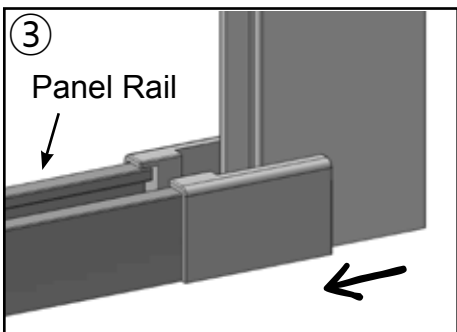
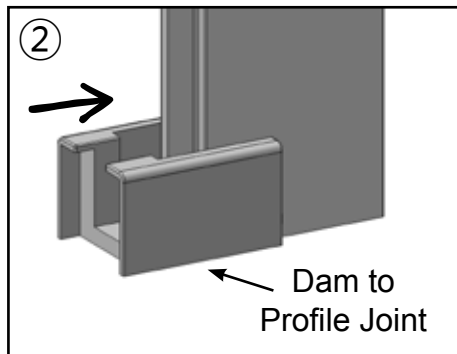
1. Dismantle the Wall Brackets and fit onto the Panel Glass ensuring that all gaskets are fitted. Ensure that the brackets are fitted the correct way (screws to the inside).
2. Carefully lift the Panel into the Wall Profile and up to the wall.
3. Mark the wall through the holes in the Brackets using a pencil. Remove the Panel.
4. Drill the wall with a 7mm masonry drill (not supplied). Fit the Wall Plugs and remove any debris.
5. Remove the brackets from the Panel and fasten the inside bracket to the wall and over the Wall Profile.

Step 5 - Fitting the Corner Panel

Note: We recommend 2 people carry out the procedures below.



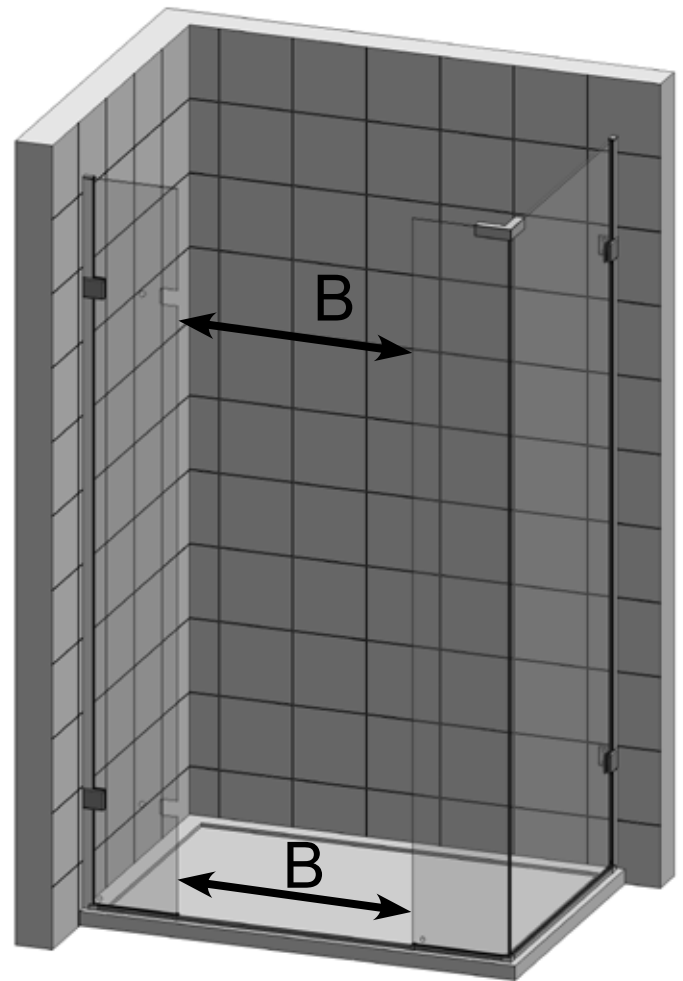
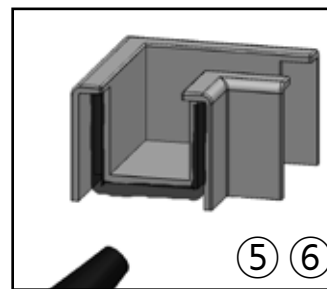
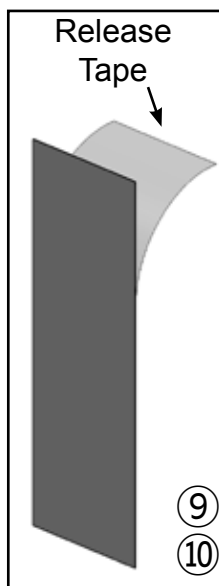
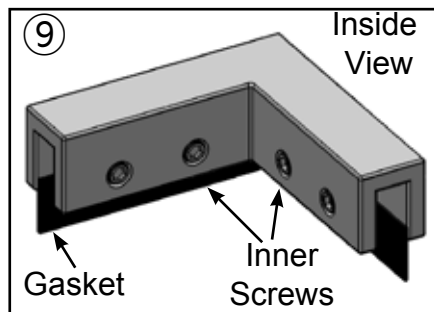
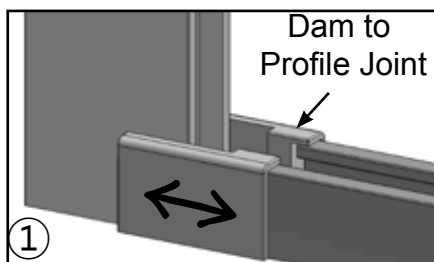
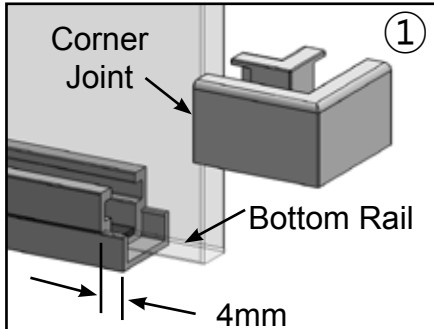
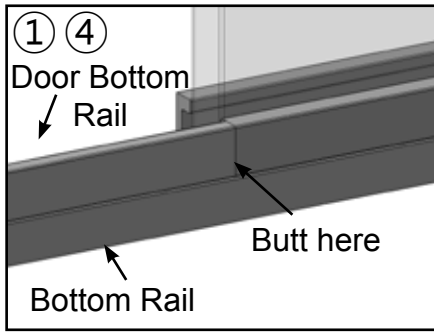
Corner Panel	Dimension A
KHR813	770
KHR913	870



- Place the Foam Seal to the inside of the Panel Profiles and push it in up to the screws, ensure it touches the top of the tray. Remove the release paper from the Tape at the top and attach it to the inside to stop the Foam Seal from dropping.
 - IMPORTANT: Let the Foam Seal fall freely down the channel, DO NOT stretch.**
- Place the Dam to Profile Joint over the Panel Profile at the bottom and push to the wall.
- Place the Panel Assembly into the Panel Profile. The outer edge of the glass should be set to the required dimension "A" (see table) from the back wall.
- Attach the front of the Wall Brackets to the already fitted Brackets and tighten, ensure that the gaskets are placed between the Brackets and glass.
- Ensure that the glass is completely vertical using a Spirit Level and has not moved from Dimension "A" then fully tighten the Wall Brackets.

Step 6 - Fitting the Inline Panels

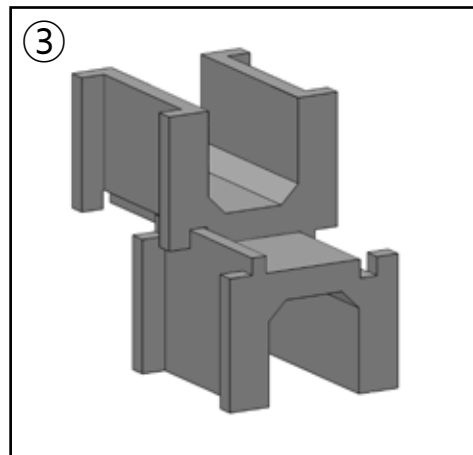
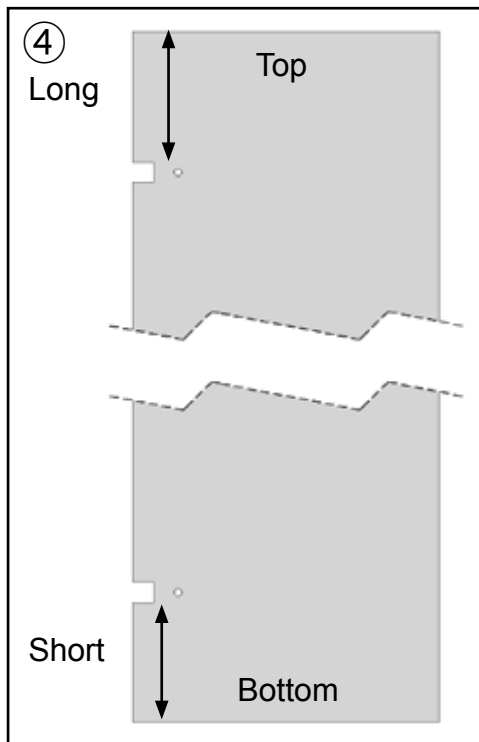
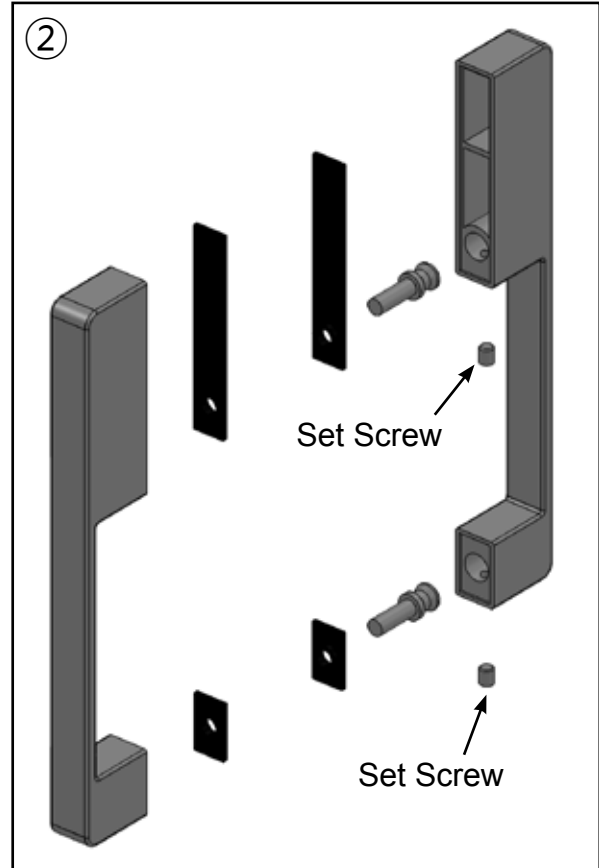
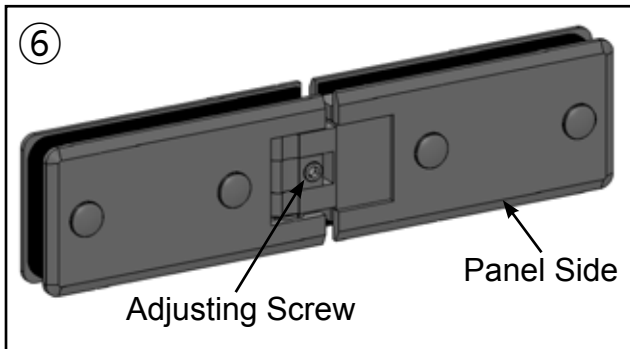
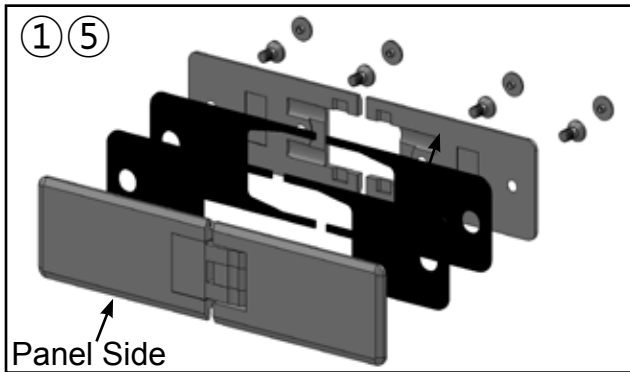
IMPORTANT: It is recommended to dry fit this Panel first, this will allow the installer to see how it fits together. Please read the procedures below before starting. We recommend 2 people carry out the procedures below.



Inline Panel	Dimension B
All Sizes	648

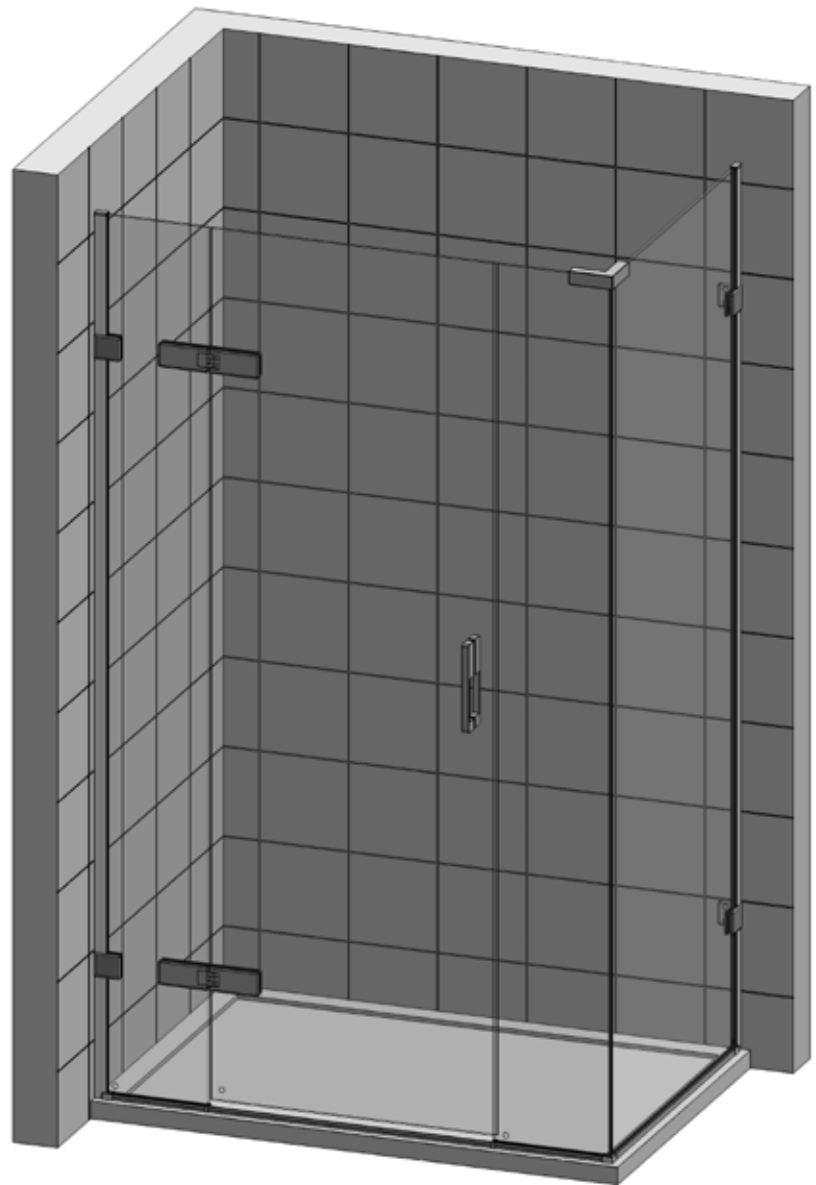
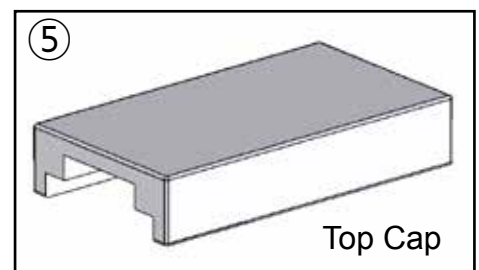
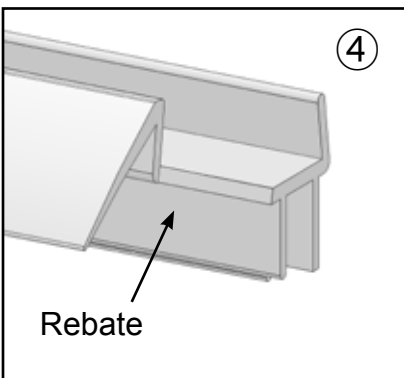
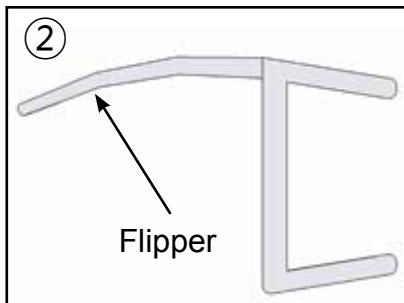
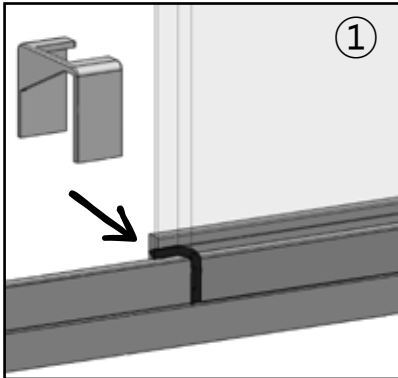
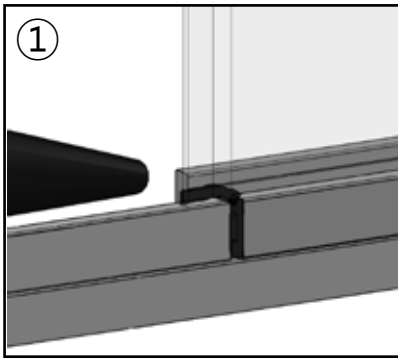
- Place the Bottom Rail on the Tray, fit the Dam to Profile Joint and Bottom Corner Joint at the correct end.
- Take the Hinge Panel and fit the prefitted aluminium into the Bottom Rail. Push into the Panel Profile.
- Take the Plain Panel and fit the prefitted aluminium into the Bottom Rail. Overlap it by 4mm approximately.
 - IMPORTANT:** The prefitted aluminium is flush at one end, place this at the Door side NOT the Side Panel.
- Fit the Door Bottom Rail into the Bottom Rail between the Panels. Ensuring the slope faces inward.
- Place the Corner Joint over the profiles and up to the glass at the bottom where it will meet the Corner Panel.
- Place a bead of silicon to the inside of the Corner Joint on both sides prior to fitting.
- Position the Plain Panel in line with the Corner Panel. Align the end of the Plain Panel with the outside of the Corner Panel. Make sure that the Corner Joint fits over the Corner Panel aluminium.
- When all is placed correctly fix the Hinge Panel in place. Carefully ease the Plain Panel away from the Corner, apply a light spray of water to the glass (bottle supplied) where it is to be attached to the Side Panel.
 - NOTE:** The light spray of water will allow some movement with alignment and will evaporate away normally.
- On the edge of the Corner Panel carefully remove the release paper from the prefitted tape. Take care that ALL parts are placed correctly maintaining dimension "B". Place the Plain Panel onto the Corner Panel.
- Push the panels together to remove any gaps between the panels, attach the 3 strips of Panel to Panel tape equally from the Plain Panel to the Corner Panel to hold them together.
- Fit the Corner Bracket to the top of both Panels. Ensure the gaskets are on the outside and no metal touches the glass. Tighten the 2 inner screws that are nearest the corner first and then the outer screws.

Step 7 - Fitting the Door



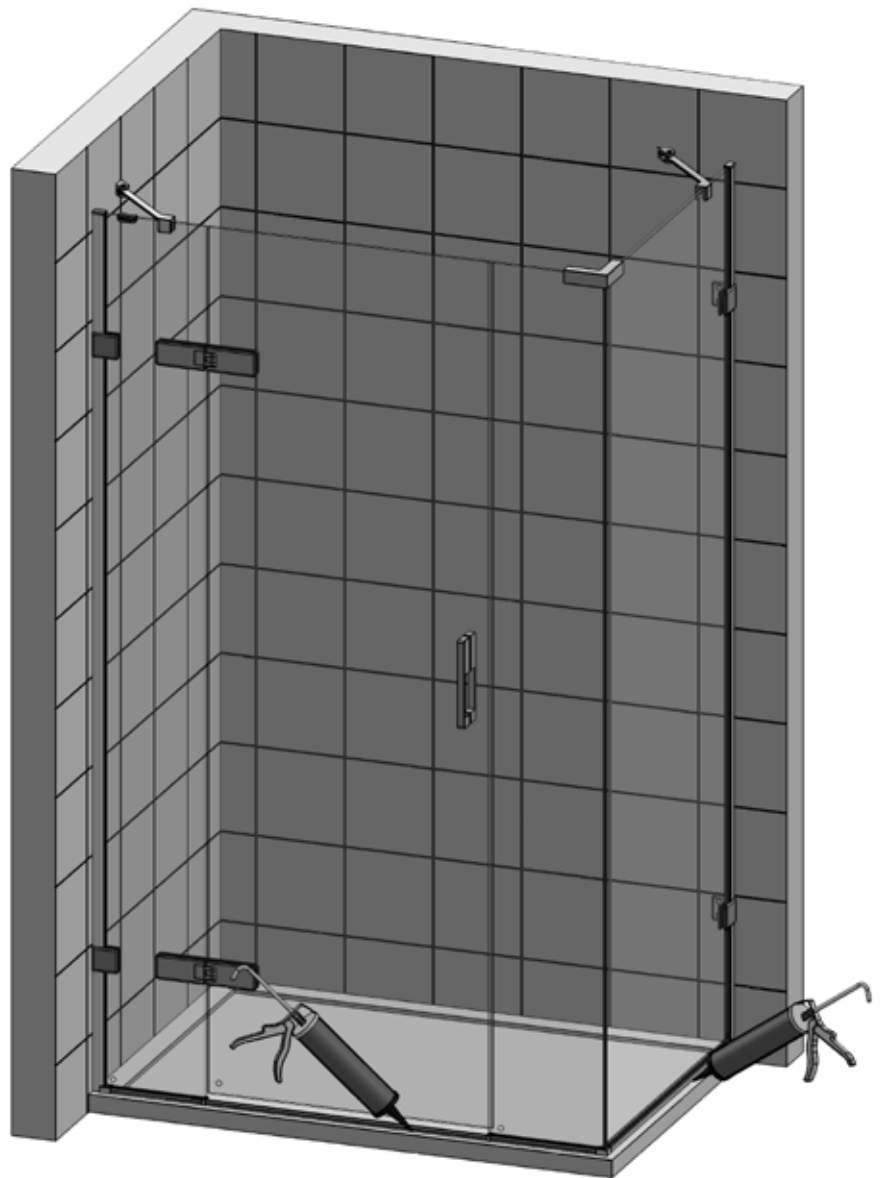
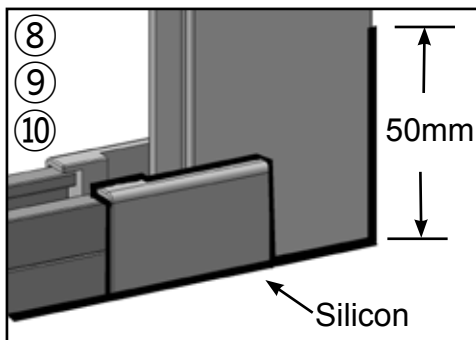
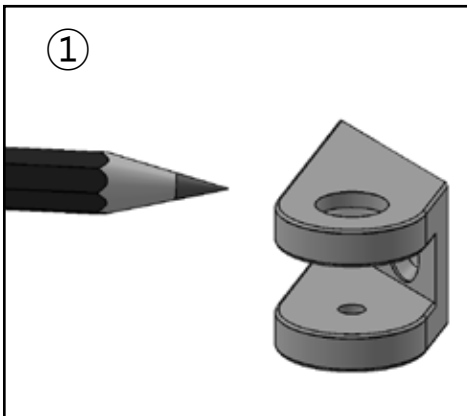
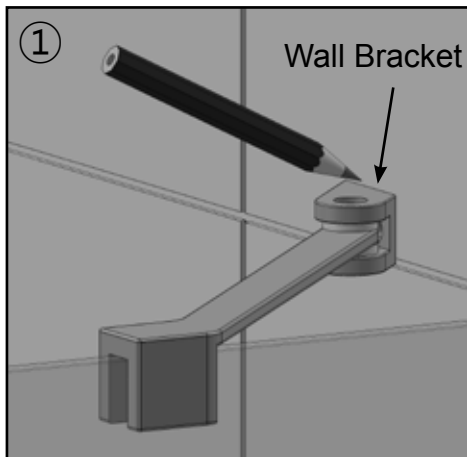
1. Carefully dismantle the Hinge Assemblies. Fit the Panel Side of the Hinge to the Hinged Panel ensuring two gaskets are fitted on both sides of the glass. Make sure they are square to the Glass and tighten the screws.
2. Remove the Handle Assembly from it's packaging and reassemble onto the Door Glass, ensure that the set screws are fitted on the inside and at the bottom of the Door. Ensure all gaskets are used between the glass and metal parts.
3. Take the Red Door Setting Blocks and slide them together to create two small assemblies. Position them on the tray over the Bottom Rails
4. With the Door Glass the correct way round offer it onto the Hinges and onto the Red Setting Blocks.
5. Replace the gaskets and back plates onto the Hinges and fully tighten the countersink screws.
 - **Note: There are 2 gaskets on either side of the glass.**
 - **IMPORTANT: Tighten the 8 Hinge fixing screws to 10N/m using a torque wrench.**
6. The Hinges can be adjusted inward or outward. Loosen the Adjusting Screw, move the Door to the desired position then tighten the Adjustment Screw.

Step 8 - Fitting the Seals



1. At the bottom of Panel Assembly, place a bead of silicon between the Glass and the bottom Rails. Fit the Blanking Ends and carefully remove any excess silicon.
2. Fit one Panel Seal onto the Plain Panel Glass and down on top of the Blanking End, trim to length if required.
 - **IMPORTANT: Please ensure that the flipper part of the Seal is placed on the inside of the enclosure.**
3. The other Panel Seal is fitted to the Door at the Hinge side and will require cutting to fit.
 - **IMPORTANT: Ensure that the flipper part of the Seal closes onto the Hinge Panel when the door is shut.**
4. The Bottom Seal requires a rebate at one end only (Handle side). Fit the Bottom Seal so that the rebated end is level with the glass at the Handle side of the door and cut it to length so that it butts up to the Hinge Side of the glass. Push fully onto the glass.
 - **IMPORTANT: The Seal is rebated at both ends, remove the rebate that is not required. You MUST ensure that the Deflector on the Bottom Seal is facing inward towards the shower.**
5. Fit the Top Caps to the top of the Panels Profile and the Branding Badge to the top of the Panel Glass.
6. Fit all the Cover Caps to the screws to the Hinges, Wall Brackets and Bracing.

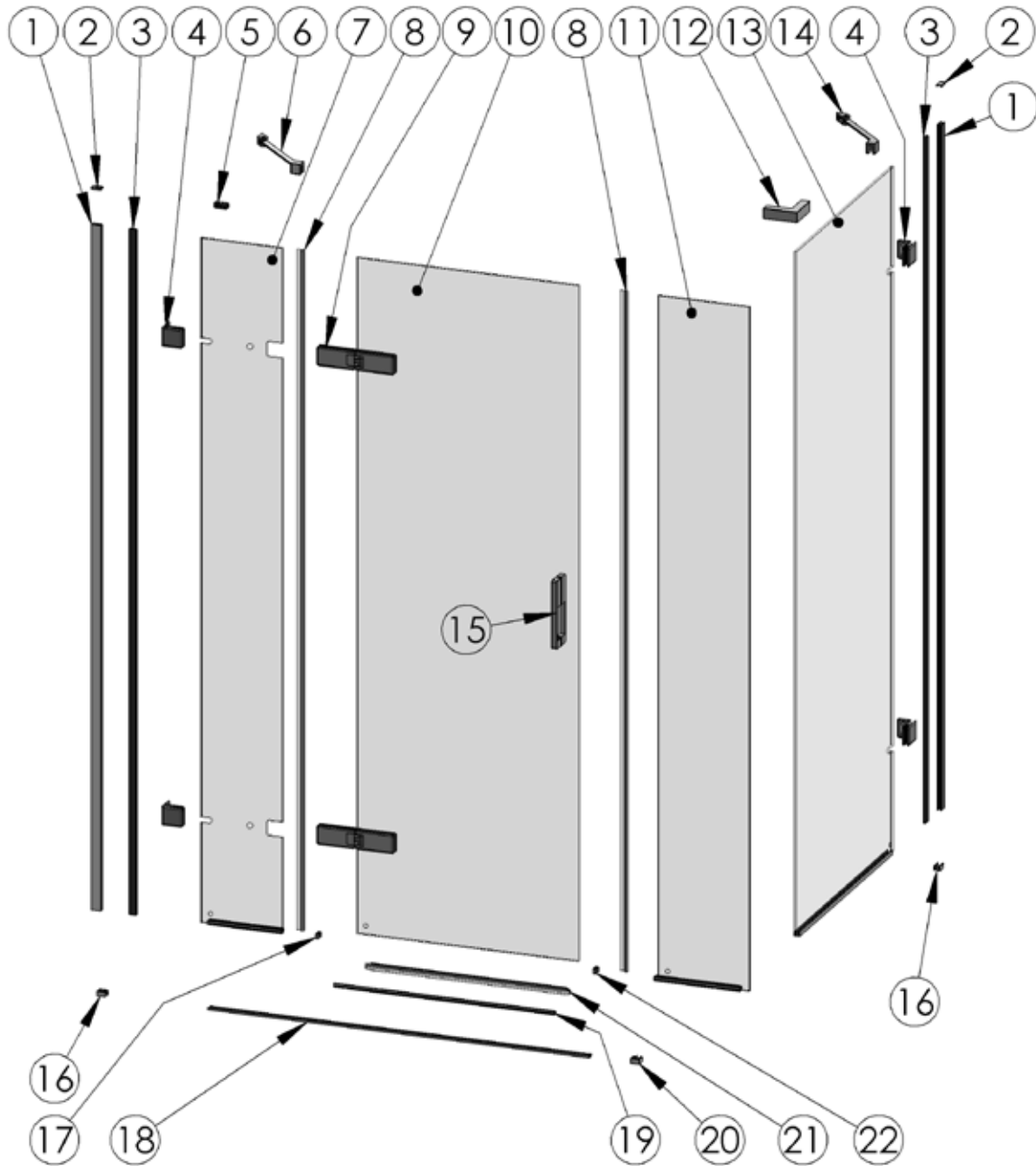
Step 9 - Bracing and Sealing



1. Place the Bracing assemblies onto the top of the Panel Glass and up to the tiled walls, use a Spirit Level to keep it horizontal.
2. Lightly mark the tiles around the Wall Brackets. Remove the Bracing.
 - **NOTE: Place masking tape where the Wall Bracket is to go as it will protect the tiles and aid in marking.**
3. Remove the Wall Brackets from the Bracing Assembly. Place the Wall Bracket over the pencil mark and mark the hole positions
4. Drill the hole positions using a 6mm Masonry Drill (not supplied) and fit the Wall Plugs.
5. Fit the Wall Brackets to the tiled wall using the screws supplied.
6. Place the Bracing onto the top of the Panel Glass and into the Wall Brackets and re-assemble.
7. Ensure that the gaskets are between the Glass and Bracing then fully tighten all screws in the Bracing.
8. Place a bead of silicon around the top of the Dam to Profile Joints and up the sides.
9. Seal the base of the enclosure horizontally on the outside only.
10. Seal the Wall Profiles about 50mm up from the tray on the outside only (both Panels).

Spare Parts

If you need to replace any damaged parts please see illustration below for parts list then call Customer Relations on 01325 328033



IMPORTANT

On ordering items please state what finish your product is i.e. Silver, Nickel or Black.

Part No.	Description	Qty	Part No.	Description	Qty	Part No.	Description	Qty
1	Panel Profiles	2	11	Plain Panel Assembly	1	21	Bottom Seal	1
2	Top Caps	2	12	Top Corner Bracket	1	22	Blanking End (Right Hand)	1
3	Foam Seal	2	13	Corner Panel Assembly	1	23		
4	Wall Brackets	4	14	Bracing Assy (Right Hand)	1	24		
5	Branding Clip	1	15	Door Handle Assembly	1	25		
6	Bracing Assy (Left Hand)	1	16	Dam to Profile Joints	2			
7	Hinge Panel Assembly	1	17	Blanking End (Left Hand)	1			
8	Vertical Flipper Seals	2	18	Bottom Rail	1			
9	Hinge Assemblies	2	19	Door Bottom Rail	1			
10	Door Glass	1	20	Bottom Corner Joint	1			

TROUBLE SHOOTING GUIDE

Problem	Solution
Leaking	<ol style="list-style-type: none">1. Check that the inside gap between the Tray and Wall profiles has been sealed correctly.2. Ensure the tray is sealed along the tiled walls prior to installation.3. If the inside joint between the enclosure and the tray top is sealed, this will cause leakage - sealant must be removed.4. Ensure the Panel Profiles on the tiled walls are sealed vertically 50mm on the outside.5. Ensure the joint between the enclosure and tray top is sealed.6. Ensure that there are no gaps between the Panels at the corner. <p>Important: This enclosure should be water tested conforming to BS EN 14428</p>
Enclosure Alignment on the Tray	<ol style="list-style-type: none">1. Is the enclosure fitted onto a tiled wall?2. Are the Panel Profiles completely vertical?
Door not operating correctly	<ol style="list-style-type: none">1. Ensure both Panel Profiles are completely vertical.2. Adjusting the Set screw on the inside of the Hinges can help.3. Ensure the tray is completely level.4. Check the bottom of the door is parallel to the top of the tray.
Door Alignment	<ol style="list-style-type: none">1. Ensure the Panel Profiles are completely vertical.2. Ensure the tray is completely level.3. Check the bottom of the door is parallel to the top of the tray.4. Check the Hinge Screws have been fully tightened to 10N/m.
Panel Alignment	<ol style="list-style-type: none">1. Ensure the tray is completely level.2. Check the Bracing is fitted correctly and is fully tightened.

Some important information to help you Maintain your product.

The following information is all you need to keep your product looking new.

Clean your product using a mild detergent diluted in water and then polished off using a soft cloth.

If you live in a hard water area, periodically clean your product using a 50/50 solution of white vinegar and water. The solution should be left on the enclosure for approximately 5 minutes then rinsed off using warm water. This method of cleaning should remove lime scale residue.

Simple Maintenance

Our products are generally maintenance free, however it may be necessary to lubricate wheel assemblies and other moving parts from time to time.

It is strongly recommended that a quality silicone spray is used.

A list of Don't's:

1. Don't use acidic based products which are unsuitable for cleaning enamel surfaces.
2. Don't use abrasive cleaners or cleaners using bleach or solvents, these products will adversely affect the finish of the aluminium profiles.
3. Don't use scouring pads, powder or any sharp instruments when cleaning the enclosure.

Should you experience any problems during installation please refer to the Trouble Shooting Guide or contact Customer Relations on:

+44 (0) 1325 328033

To enable customer relations to provide you with an excellent level of service it is important that you quote your product Code and Reference Number - these can be found on the Guarantee card.