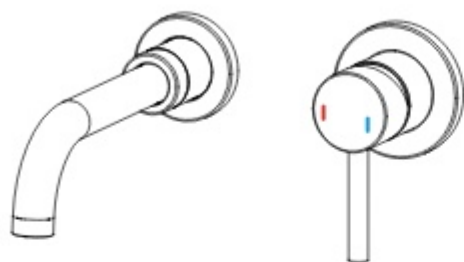


Installation and operation instruction



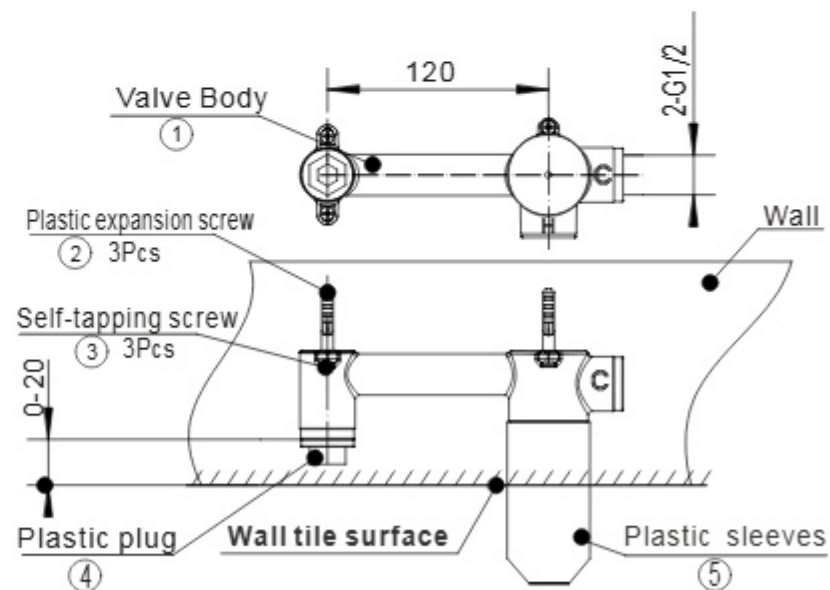
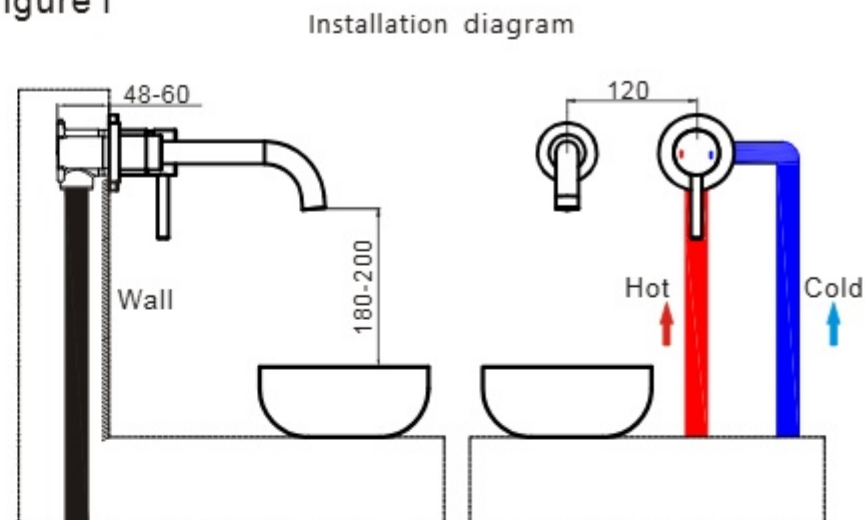
Guarantee & Aftercare

When installing or using tools, extra care must be taken to avoid damaging the finish or fitting. To maintain the appearance, please ensure it is cleaned regularly using a clean soft damp cloth only. Abrasive cleaners or detergents must not be used as they may cause surface deterioration. The company provides a guarantee against faulty material or manufacture excluding serviceable parts, providing they have been installed, cared for and used in accordance with our instructions.

INSTALLATION PROCEDURE

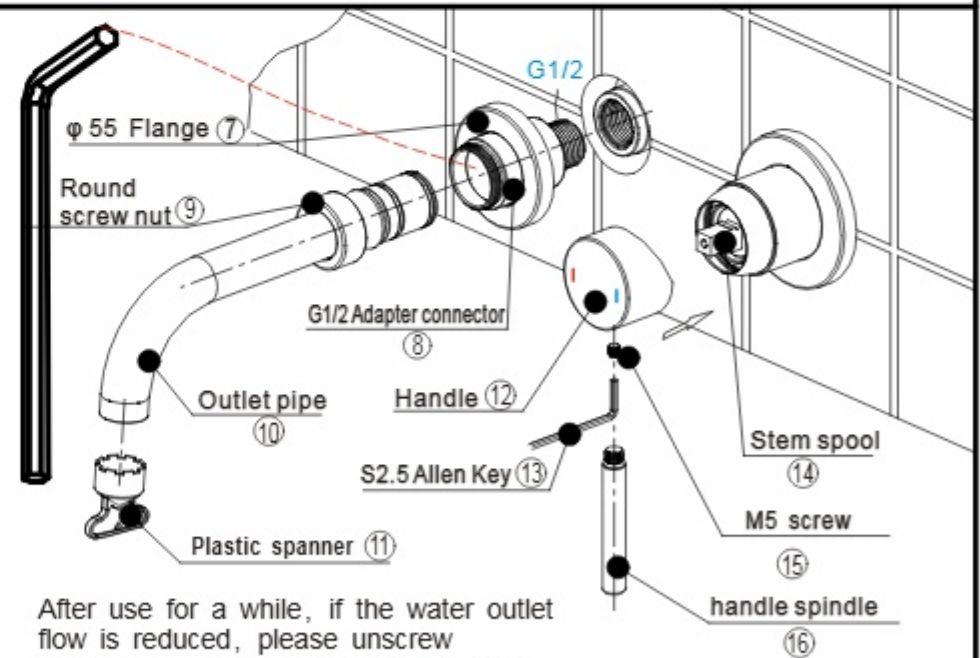
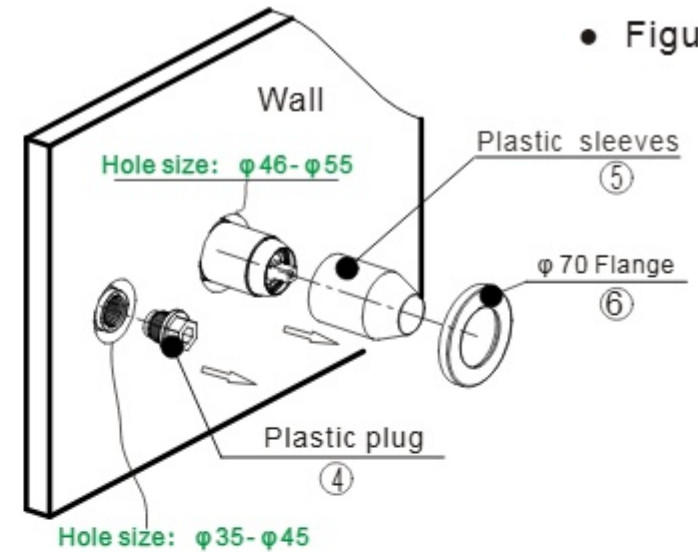
1. Before installation, flush the water supply pipe to make sure all silt and debris have been removed.
2. As Figure I showed, Connect the Cold and Hot inlet water pipe with the two G 1/2" female thread of valve body (NO. 1).
(Wrap PTFE tape on the thread or use glue seal).
3. Use three plastic expansion screws (NO. 2) and Self-tapping screws (NO. 3) to fix the valve body (NO. 1) on the suitable position of wall.
4. Pull out the plastic sleeve (NO. 5), screw plastic plug (NO. 4) on the tap bod(NO. 1) tightly.
5. Open the cold and hot water supply, check all joints and connections of valve body for leakage. Then put on plastic sleeve (NO. 5) after check there is no leakage.
6. Decorate the wall (Pay attention at the size of installation hole).

● Figure I



7. As Figure II showed, unscrew the plastic plug (NO. 4) , then pull out the plastic sleeve (NO. 5), then install the flange (NO. 6).
8. As Finger III showed, unscrew the round screw nut (NO. 9), then pull out the water outlet pipe (NO. 10).
9. Wrap PTFE tape and apply glue on the G 1/2" thread of adapter connector (NO. 8) , Then screw the adapter connector (NO. 9) on the G 1/2" female thread of valve body.
10. Install the Flange (NO. 7).
11. Insert the outlet pipe (NO. 10) into the inner hole of connector (NO. 8), then use round screw nut (NO. 9) to fix the outlet pipe (NO. 10). (Pay attention that the outlet pipe(NO. 10) must be inserted in place) .
12. Unscrew handle spindle (NO. 16), loose the M5 screw (NO. 15) by S2.5 Allen Key (NO. 13), then place the handle (NO. 12) on the stem spool (NO. 14). Tighten the M5 screw(NO. 15) by S2.5 Allen Key to fix the handle (NO. 12).
- (Pay attention at the installation direction of handle).
13. Screw the handle spindle(NO. 16) on he handle(NO. 12).
14. Open the cold and hot water supply, check all joints and connections for leakage.

• Figure II



• Figure III