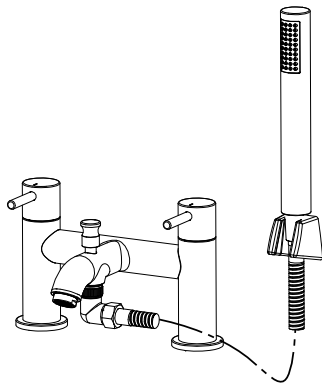


Installation and operation instruction



Guarantee & Aftercare

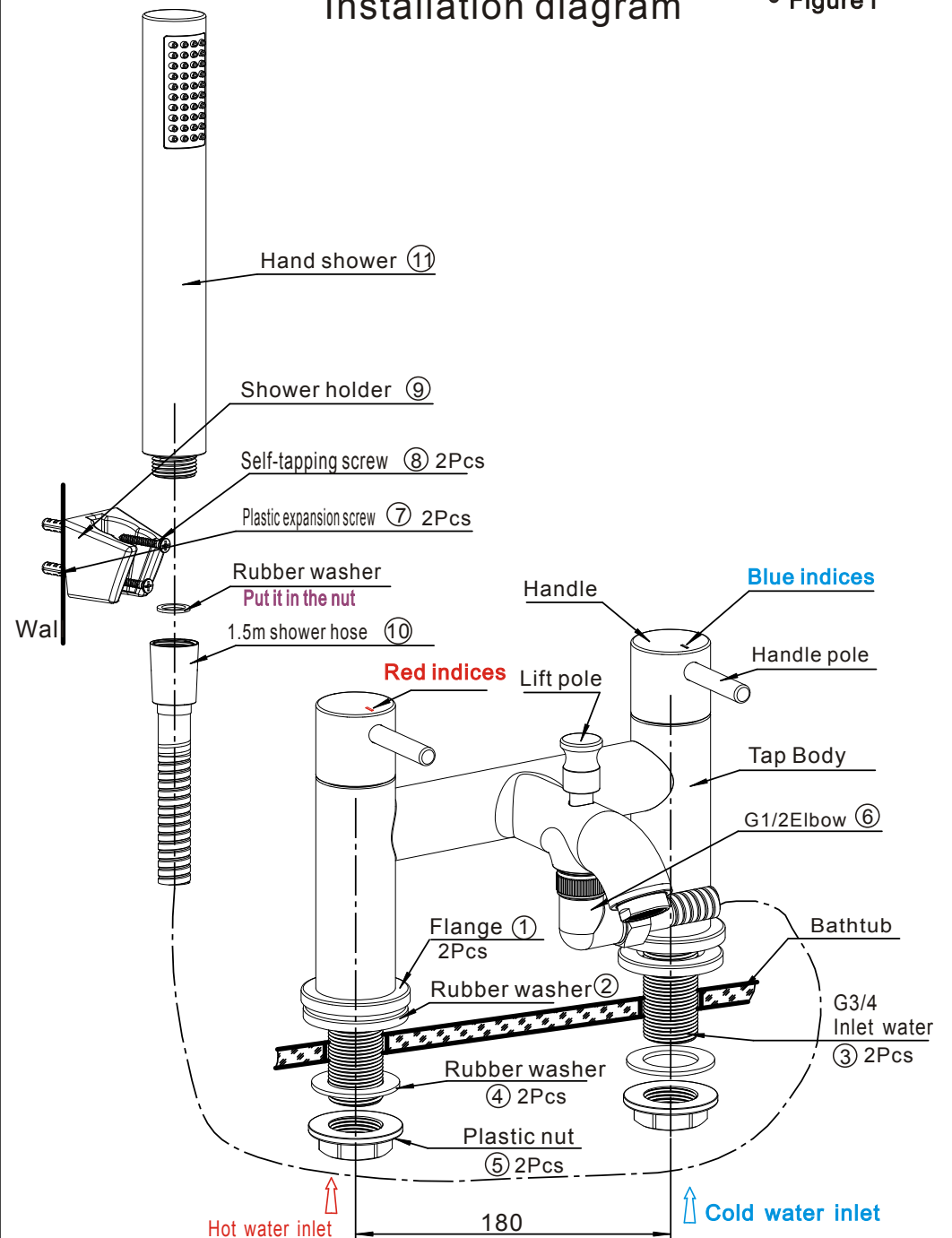
When installing or using tools, extra care must be taken to avoid damaging the finish or fitting. To maintain the tap appearance, please ensure it is cleaned regularly using a clean soft damp cloth only. Abrasive cleaners or detergents must not be used as they may cause surface deterioration. The company provides a guarantee against faulty material or manufacturing defect, provided the tap has been installed, maintained and used in accordance with our instructions.

What you receive is whole unit, please.

1. Please flush the pipeline before installation to prevent mud and sand from blocking and affecting the use of the product.
2. Remove Plastic nut 5 and Rubber washer 4 accessories in turn.
3. Put the two G3/4 inlet connector pipe of tap body into the mounting holes on the bathtub top.
4. Put two Rubber washer 4 on the G3/4 connector pipe 3, and then fix the tap body with plastic nut 5 .
5. Take two inlet pipes, one end is connected with the inlet No.3, and the other end is connected with the water supply valve (pay attention to the direction of cold and hot).
6. Install the No. 9 shower bracket in a suitable position on the wall, Connect one end of No. 10 shower hose with the tap connector No.6 , and the other end with No. 11 hand shower.
7. Connect cold and hot water, and check all water feed connections to ensure there are no leaks.

Installation diagram

• Figure I



Installation and operation instruction

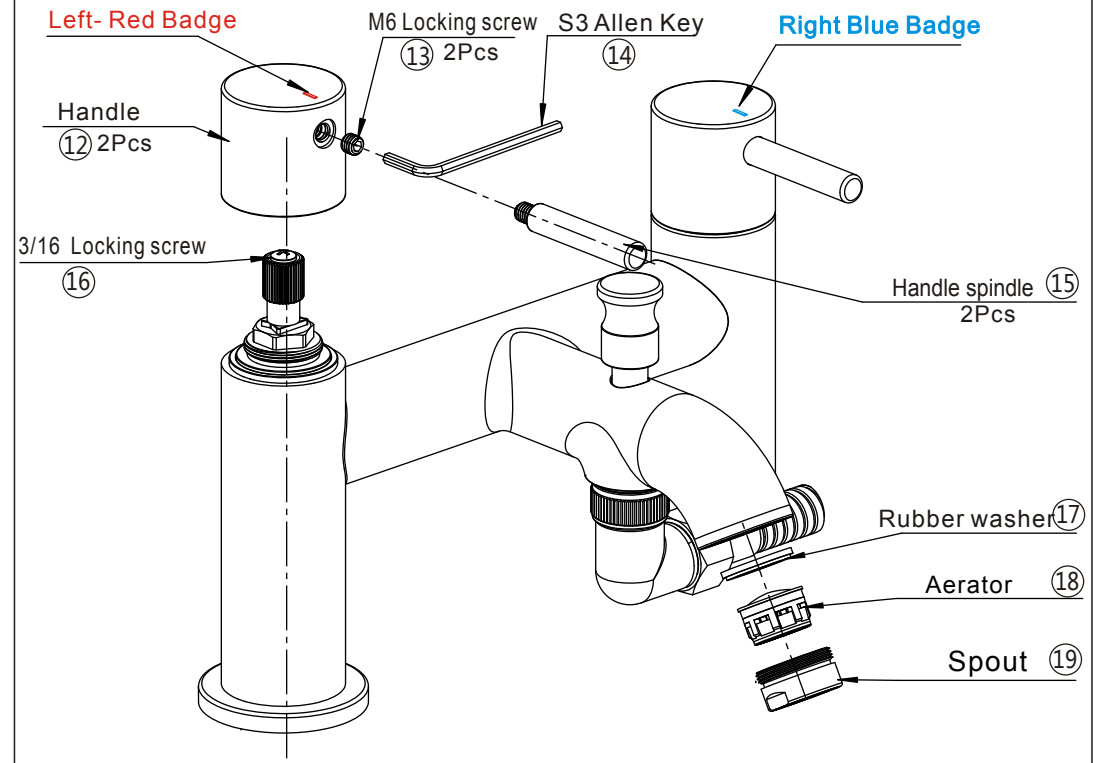
Use and maintenance Figure II

1. After using for a period of time, if the handle is found to be loose or shaking, the maintenance can be carried out according to the following methods:

- 1). Remove the handle spindle(NO.15), then rescrew the M6 locking screw(NO.13) with S3 Allen key(NO.14).
- 2). Remove the loose handle, then tighten the screw(NO.16) with wrench.
- 3). Put on the handle No.12, (note the direction of the handle) then tighten the M6 locking screw(NO.13) with S3 Allen key(NO.14), and last install the handle spindle back to handle.

2. After a period of using, if the outlet water become smaller, turn out No. 19 spout, flush No. 17、18、19.

• Figure II



Below figure shows turn off

