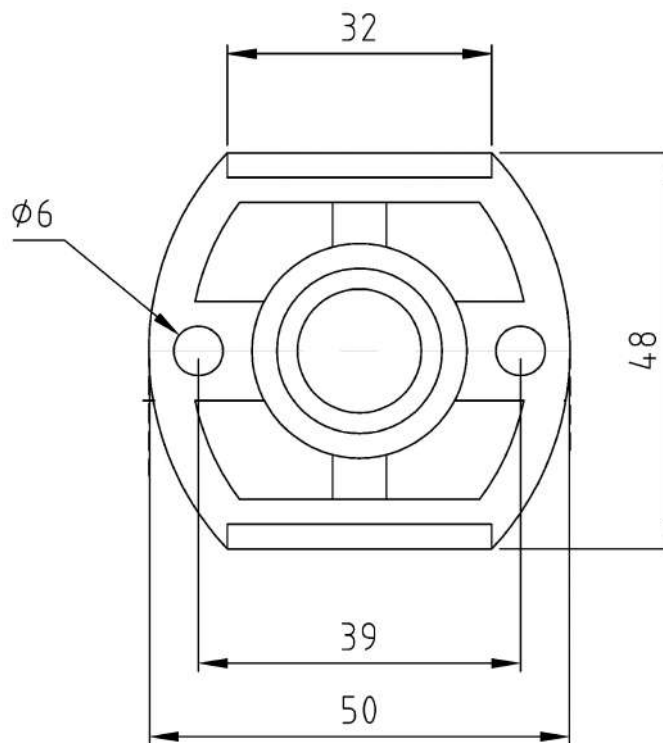


Sales Code: A315

Description: W/H Fixings



**Product Dimensions**

Length (mm):	
Width (mm):	50
Height (mm):	48
Depth (mm):	50
Nett Weight (kg):	0.19

**Packaging Dimensions**

Length (mm):	100
Width (mm):	60
Height (mm):	135
Gross Weight (kg):	0.19

**Packaging Data**

Box Colour:	White Cardboard Box
Box Qty:	0
Label Size:	0 x 0
Label Colour:	White Label
Label Qty:	0

**Outer Box Dimensions (If Applicable)**

Length (mm):	
Width (mm):	
Height (mm):	
Depth (mm):	
Gross Weight (kg):	10
Barcode:	5055146190950

**Product Details**

Country of Origin:	China
Fitting Instruction:	No
Product Material:	Brass
Mount Type:	Surface
Outlet Elbow Supplied:	No
Easy Clean:	Not Applicable
Head Included:	No
Handset Included:	No
Body Jets Included:	No
No of Body Jets:	Not Applicable
Operating Pressure (bar):	
Valve/Cartridge Type:	Not Applicable
Flow Rates (L/min):	0.1 bar: N/A 0.5 bar: N/A 1 bar: N/A 2 bar: N/A 3 bar: N/A
TMV2 Approved:	No Approval No: N/A
TMV3 Approved:	No Approval No: N/A
WRAS Approved:	No Approval No: N/A
Head Function:	Not Applicable
Handset Function:	Not Applicable
Body Jet Info:	Not Applicable
Pipe Size:	15 mm (1/2" Bsp)
Pipe Centres:	N/A
Colour/Finish:	Chrome
Hose Included:	Not Applicable
No. of Outlets:	N/A