



Collection: Solid S

Technical specifications

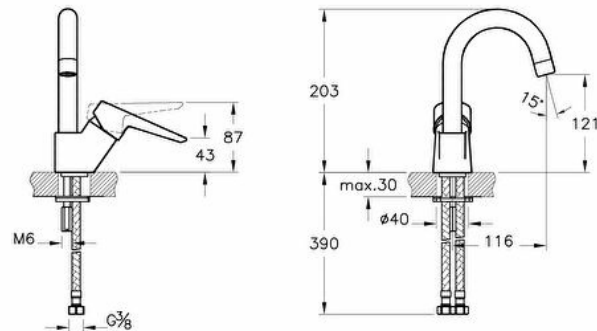
Colour	Chrome
Height	203
Width	154
Depth	140
Finish	Chrome
Material	Chrome
Mixing Capability with Air	Yes

Hole Quantity	5
Number of Functions	6
Operating Pressure	Min:0.5-Max:10Recommended(1-5)
Outlet Turning Angle	360
Packaged Product Sizes (WxDxH)	355X190X60
Guarantee	10
Designer	Vitra Design Team

Mounting type	Countertop
Spiral Hose Material	Stainless Steel PEX
Spiral Length	500
Spout Length	116
Aerator	Standard
Body Material	Brass
Cartridge	Adjustable heat-flow rate
# of Water Inlet	Double Inlet

Spout Height	121
Certificate	REACH

2A technical drawing



Technical specifications

Colour: Chrome **Height:** 203 **Width:** 154 **Depth:** 140 **Finish:** Chrome **Material:** Chrome **Mixing Capability with Air:** Yes **Mounting type:** Countertop **Spiral Hose Material:** Stainless Steel PEX **Spiral Length:** 500 **Spout Length:** 116 **Aerator:** Standard **Body Material:** Brass **Cartridge:** Adjustable heat-flow rate **# of Water Inlet:** Double Inlet **Hole Quantity:** 5 **Number of Functions:** 6 **Operating Pressure:** Min:0.5-Max:10Recommended(1-5) **Outlet Turning Angle:** 360 **Packaged Product Sizes (WxDxH):** 355X190X60 **Guarantee:** 10 **Designer:** VitrA Design Team **Spout Height:** 121 **Certificate:** REACH